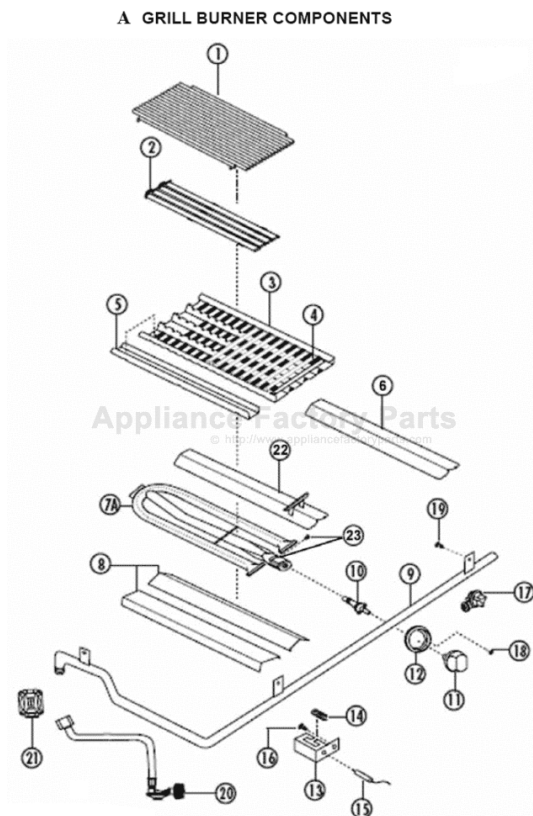


This Owner's Manual is provided and hosted by [Appliance Factory Parts](http://ApplianceFactoryParts.com).



DCS DCS48D-BQRN Owner's Manual

[Shop genuine replacement parts for DCS
DCS48D-BQRN](#)



[Find Your DCS Grill Parts - Select From 274 Models](#)

----- Manual continues below -----



THE PROFESSIONAL 48" GRILL

Parts Lists

MODEL: DCS48D-BQRN
PRODUCT CODE: 217880



PRODUCT

Brand	DCS
Voltage	110V 60HZ
Model	DCS48D-BQRN
Product Code	217880

Fisher & Paykel Appliances
5900 Skylab Road, Huntington Beach,
CA 92647
Customer Care: (888) 281-5698
Fax: (714) 372-7003
www.dcsappliances.com
support@dcsappliances.com

CONTENTS

GRILL BURNER COMPONENTS	6
GRILL BODY COMPONENTS	8
ROTISSERIE COMPONENTS.....	10
SMOKER BURNER COMPONENTS.....	12
CART COMPONENTS.....	14

GUIDE TO USING THIS MANUAL

The model covered by this manual is listed on the front cover.

The information detailed in this manual is subject to change without notice. The latest version is indicated by the reprint date and replaces any earlier editions.

The front cover picture shows the type of product and may not necessarily be an exact image of the model covered by the manual.

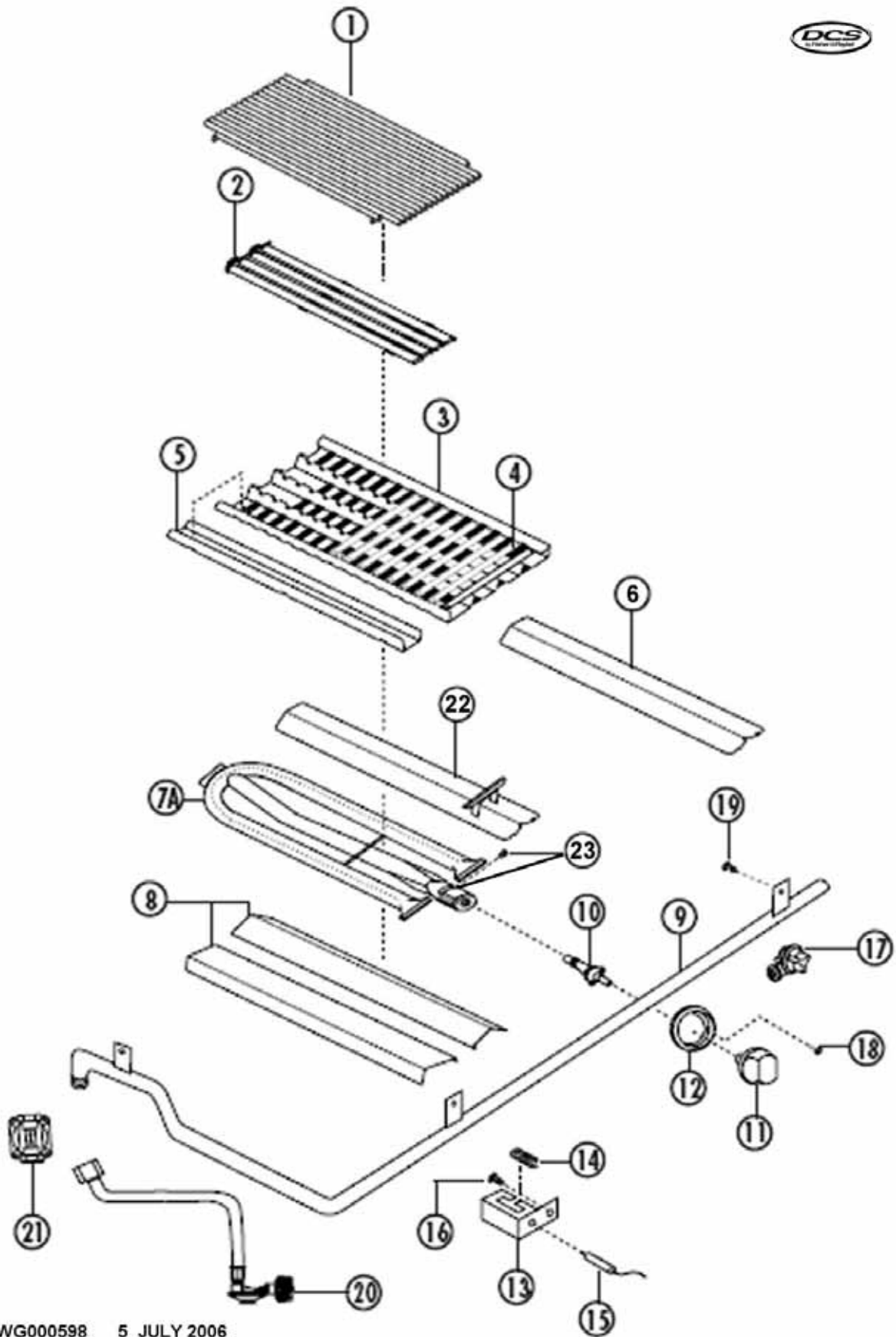
Kit Parts

Kit components are shown in *italics*. Where a part number is shown against the descriptions for these kit components, they are also available as separate items. In addition, some parts may be supplied with these kits that are not available as separate items, and are therefore either not listed, or a part number is not shown against the part description in this manual.

Parts List Key

<i>italics</i>	Kit components or parts included are shown in <i>italics</i> . Refer to above notes: Kit Parts.
NI	As a part reference, indicates the part is not illustrated on the diagram.
NOT USED	As a part number, indicates the diagram part reference is not used in this manual.

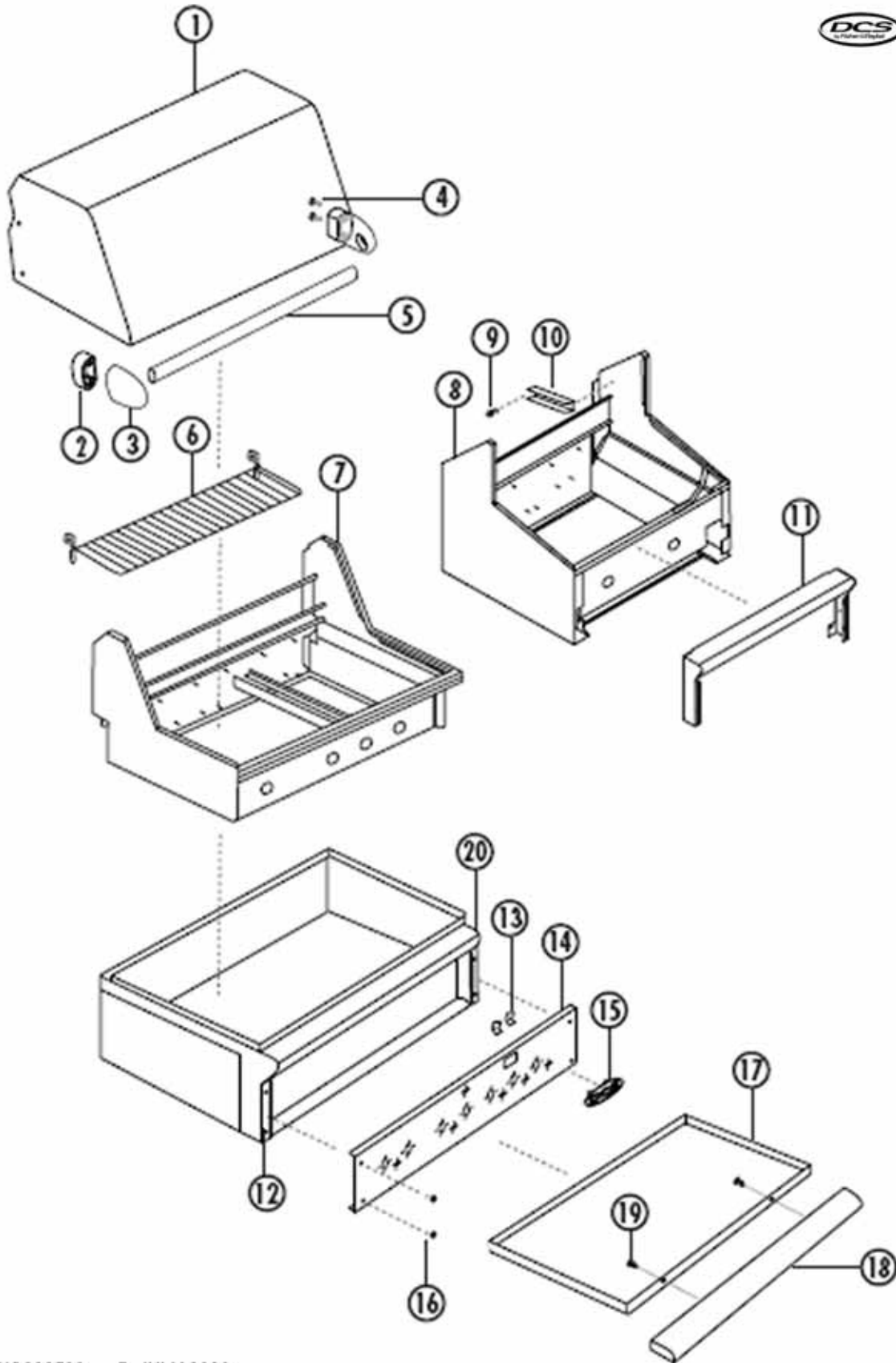
GRILL BURNER COMPONENTS



GRILL BURNER COMPONENTS

REF	PART	DESCRIPTION
1	212427	GRILL RACK 27D SS
2	212272	GRATE 4F SS
	212271	GRATE 4F
3	213997	RADIANT BGA
4	214006	CERAMIC ROD 9.50
5	214046	END CAP RADIANT BGA
6	213999	HEAT SHIELD CENTER
7	213995	BURNER W/A
8	213998	HEAT SHIELD BURNER
9	212274	MANIFOLD 48D-BBQ
10	210733	GAS ON/OFF VALVE O.D. B.B.Q
11	211043	CONTROL KNOB BBQ
12	210935	BEZEL, CHROME PLATED
13	214293	COLLECTOR BOX BG
14	214118	WIRE COIL
15	211715	ELECTRODE D
16	211247	SM 6X3/8 PH PN HD TY A SS
17	219343	KIT, ROTARY IGNITER & KNOB BBQ
18	211248	SMS 6-32X3/8 PH PN TY F SS
19	211227	MS 10-24X1/4 PH TR HD SS
20	239862P	REGULATOR & HOSE ASSY PKD
21	210765P	REGULATOR - 4.0 WC PKD
22	214048	HEAT SHIELD CENTER W/A
23	243880	AIR SHUTTER, SCREW TUBE BURNER

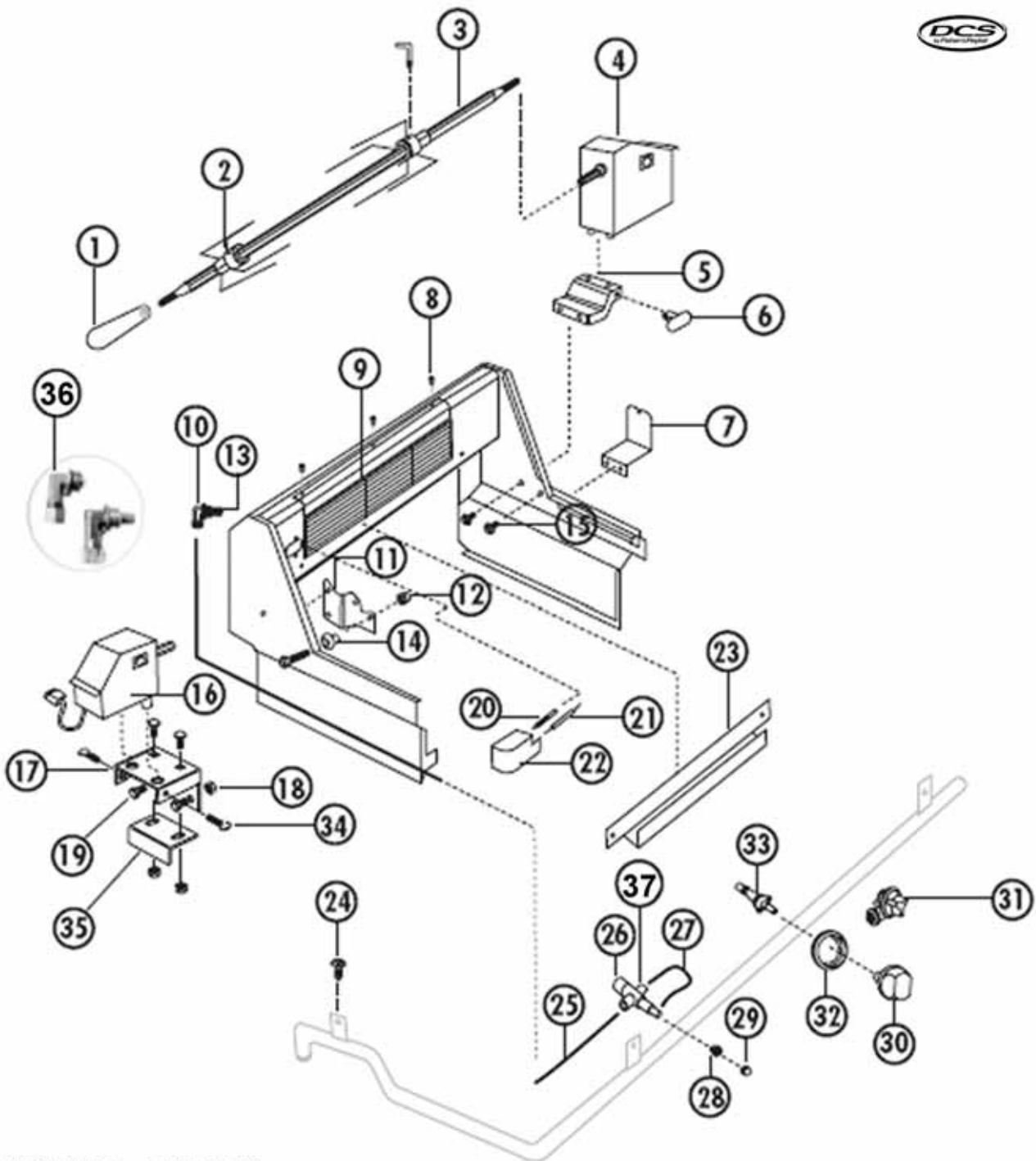
GRILL BODY COMPONENTS



GRILL BODY COMPONENTS

REF	PART	DESCRIPTION
1	214085	TOP LID W/A 48D BQR
2	212253	SPACER HANDLE END CAP BBQ
3	212245	END CAP DOOR HANDLE PLATED
4	211439	BLT SHLDR SS 5/16-18X5/8
5	213787	HANDLE 36 BQA & 48 BQ
6	214030	WARMING RACK ST/STL 3 BURNERS
	214031	WARMING RACK ST/STL 4 BURNERS
7	219411	FIRE BOX W/A 36 BQA & 48 BQ D
8	214051	BODY W/A 27D-BQ
9	211287P	MS 10-24X3/4 PH TR HD SS (10 PK)
10	NOT USED	ITEM NOT USED IN THIS MODEL
11	213780	LANDING LEDGE W/A 27 BQ
12	211410	NUT W/RET 8-32
13	211419P	LOGO - CLIP (2 PK)
14	213968	VALVE PANEL 48D BQR PTD
15	211924	LOGO SMALL 96 BLACK OVAL
16	211300P	SCREW 8-32X1 TORX FL HD (10 PK)
17	213476	DRIP PAN,48BQ
18	213795	DRIP PAN HANDLE W/A 48BQ
19	237354	MS10-24X3/8 PH TR HD SS (10 PK)
20	214020	TRIM W/A
NI	218150	NUT HEX 10-24 KEPS SS (10 PK)
NI	211352P	NUT HEX 10-24 SS (10 PK)

ROTISSERIE COMPONENTS



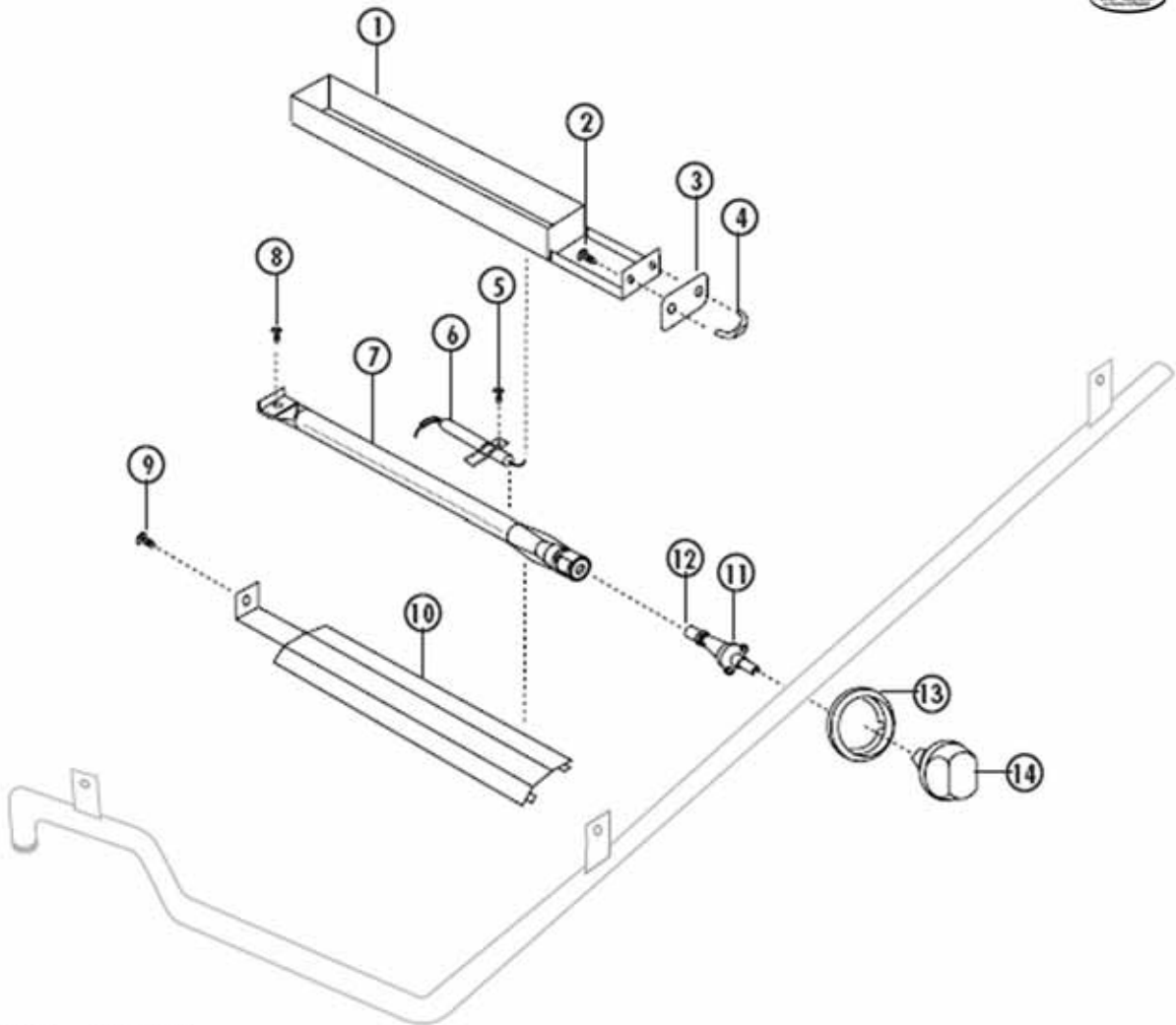
DWG000600 5 JULY 2006

ROTISSERIE COMPONENTS

REF	PART	DESCRIPTION
1	212163	HANDLE - ROTIS ROD
2	212418	MEAT HOLDER ASSY 99
3	212464	ROTIS ROD 48BQ
4	213852	MOTOR ASSY
5	211046	ROTISS BLOCK
6	211051	ROTISS MOUNTING ARM
7	NOT USED	ITEM NOT USED IN THIS MODEL
8	211242P	MS 10-24X1/2 PHPN TY F SS (10 PK)
9	210357	I/R BURNER-27/48BBQ
10	212268	ELBOW 90 ORIFICE PLUG TYPE
11	214015	BRKT ROTISS RECEIVER
12	211389	ACORN NUT 10-24 SS LOCKING
13	210743P	PLUG ORIFICE #50 (PKD)
	210750P	ORIFICE SPUD TYPE 58 (PKD)
14	211089	RACK ROLLER
16	NOT USED	ITEM NOT USED IN THIS MODEL
17	NOT USED	ITEM NOT USED IN THIS MODEL
18	211398P	NUT HEX 1/4-20 KEPS SS (10 PK)
19	211487	1/4-20X1/2 SS CARRIAGE BOLT
20	210721	THERMOCOUPLE 2C ROBERTSHAW 72
21	210787	ELECTRODE ROTIS BBQ I/R
22	213784	ELECTRODE HOUSING W/A L/H
	213785	ELECTRODE HOUSING W/A R/H
23	NOT USED	ITEM NOT USED IN THIS MODEL
24	211227	MS 10-24X1/4 PH TR HD SS
25	213909	TUBING SAFETY VALVE TO I/R L/H
	213910	TUBING SAFETY VALVE TO I/R R/H
26	212199	SAFETY VALVE
27	213619	TUBING MAN.TO SAFETY VALVE 27
	213620	TUBING MAN,TO SAFETY VALVE R/H
28	211050	BEZEL SAFETY VALVE
29	211001	BUTTON SAFETY VALVE
30	211043	CONTROL KNOB BBQ
31	219343	KIT, ROTARY IGNITER & KNOB BBQ
32	210935	BEZEL, CHROME PLATED
33	210733	GAS ON/OFF VALVE O.D. B.B.Q
34	NOT USED	ITEM NOT USED IN THIS MODEL
35	NOT USED	ITEM NOT USED IN THIS MODEL
36	212139P	ELBOW 3/8-27-9/16-24 (PKD)
37	212189P	FERRULE 3/8 T.O.D. (PKD)

NOTE: FASTENER FOR ROTIS BLOCK USE PART # 220802 HEX BOLT AND # 237190 FLANGE BUSHING.

SMOKER BURNER COMPONENTS

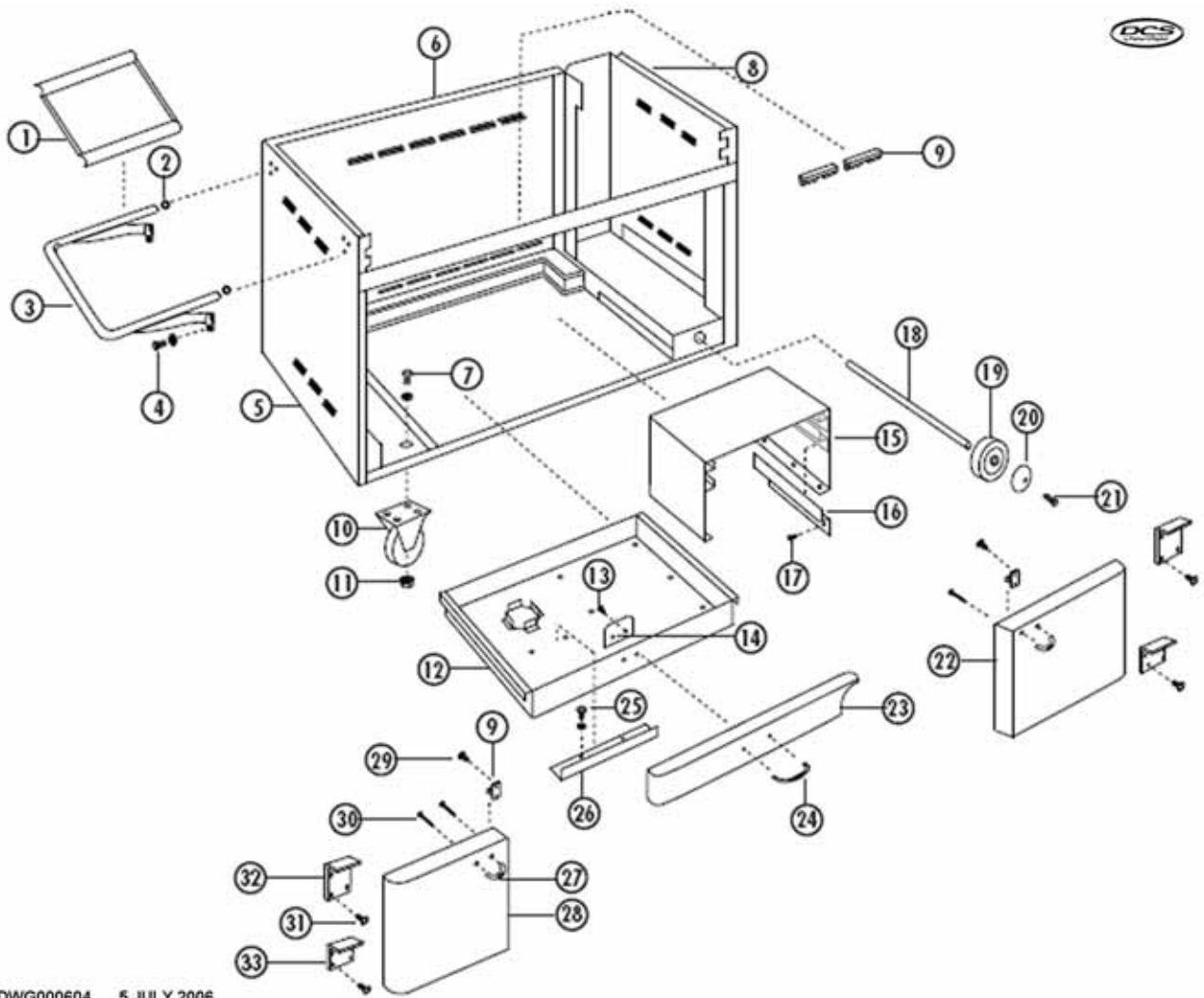


DWG000602 5 JULY 2006

SMOKER BURNER COMPONENTS

REF	PART	DESCRIPTION
1	214014	SMOKER TRAY W/A
2	211477	SM M4X5MM SS PH
3	214011	SMOKER PLATE
4	212278	PULL HANDLE 36/48D BBQ 131/132
5	211477	SM M4X5MM SS PH
6	210730	ELECTRODE 15 W/RING TERM
7	213467	ASSY. WELDMENT, SMKR BRNK.
8	211477	SM M4X5MM SS PH
9	211477	SM M4X5MM SS PH
10	214010	HEAT SHIELD SMOKER SUPPORT
11	210734	GAS VALVE 24 & SMOKER
12	210705P	ORIFICE - #71 SMOKER (PKD)
	210695P	ORIFICE - 59 SMOKER (PKD)
13	210935	BEZEL, CHROME PLATED
14	211043	CONTROL KNOB BBQ

CART COMPONENTS



DWG000604 5 JULY 2006

CART COMPONENTS

REF	PART	DESCRIPTION
1	214466	SIDE SHELF TRAY
2	211099	BLACK PLUGS
3	212287	SIDE SHELF BAR
4	211323P	HEX 1/4-20X1/2 FUL TH SS (10 PK)
5	214456	BODY PANEL L/H
6	214459	CART BACK
7	211487	1/4-20X1/2 SS CARRIAGE BOLT
8	214457	BODY PANEL R/H
9	211098	DRAWER CATCH (M22 2430)
10	212142	CASTER W/O BRAKE 5
11	211398P	NUT HEX 1/4-20 KEPS SS (10 PK)
12	214460	CART DRAWER
13	211242P	MS 10-24X1/2 PHPN TY F SS (10 PK)
14	214491	DOOR STOP
15	214467	DRAWER SHELF
16	214468	SHELF HOLDER L/H
	224981	SHELF HOLDER R/H
17	237354	MS10-24X3/8 PH TR HD SS (10 PK)
18	214465	AXLE ROD
19	212303	WHEEL 8 SOLID
20	214476	HUB CAP SPINING
21	211303P	8-32X5/8SS TORX FL HD (10 PK)
22	214498	DOOR ASSY R/H
23	214495	KICK PLATE W/A
24	212279	SIRO HANDLE DCS (44-150)
25	237354	MS10-24X3/8 PH TR HD SS (10 PK)
26	214479	DRAWER DAM
27	212278	PULL HANDLE 36/48D BBQ 131/132
28	214497	DOOR ASSY L/H
29	211300P	SCREW 8-32X1 TORX FL HD (10 PK)
30	211477	SM M4X5MM SS PH
31	211287P	MS 10-24X3/4 PH TR HD SS (10 PK)
32	214487	TOP HINGE W/A R/H
	214488	TOP HING W/A L/H
33	214490	BOT HINGE W/A R/H
	214489	BOT HINGE W/A L/H