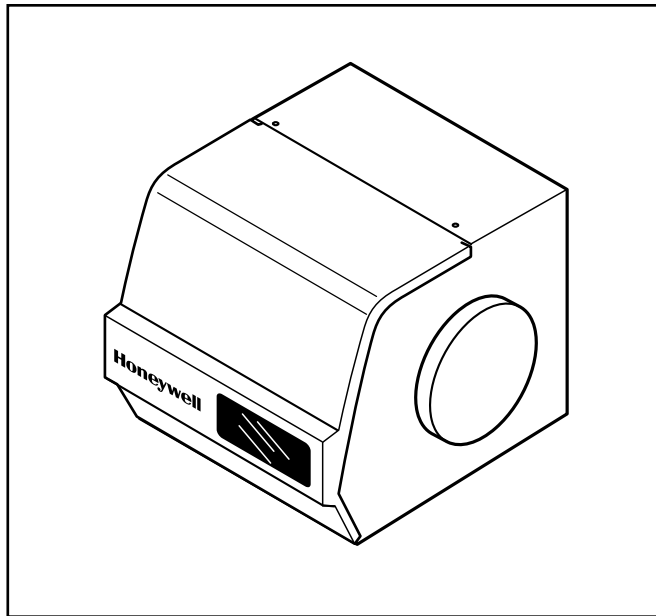


HE120A,B By-Pass Drum Humidifier

SPECIFICATION DATA



FEATURES/BENEFITS

- Can be installed in a furnace room without a drain.
- Capable of humidifying a large area up to 4,045 sq ft (376 sq m).
- Small footprint and light weight allow easy installation.
- Minimal amount of water and electricity needed for economical homeowner operation.
- Unique snap-lock fittings and reversible components allow quick installation and maintenance.
- Interior components designed for easy clean-up or replacement.
- Durable thermoplastic cabinet resists rust, corrosion and warpage.
- Includes easy-to-use humidistat that mounts on the wall or duct for more installation flexibility.
- Perfect Climate Comfort Center™ Control can be installed to replace both the thermostat and humidistat for improved aesthetics and convenience.
- Optional Automatic Flushing Timer can be used to reduce the frequency of maintenance.

APPLICATION

The HE120A,B By-Pass Drum Humidifier uses the warm air furnace blower to provide humidification for the whole house. The HE120A,B works with virtually any Honeywell humidity control, but the Honeywell Perfect Climate Comfort Center™ Control allows optimal performance.

SPECIFICATIONS

Capacity:

At 120°F (49°C) plenum temperature and 0.20 static pressure drop across supply and return:

17 gallons per day (gpd) or 64 liters per day (lpd).

Humidified Area:

House Description	Air Changes Per Hour	Area (Up To)	
		sq ft	sq m
Loose	Two	1,845	171
Average	One	2,575	239
Tight	One-half	4,045	376



Drum Motor:

24 Vac, 3W, 1 rpm, Bi-directional.

Plenum Opening Dimensions (Height x Width):

6 5/8 in. x 8 1/2 in. (168 mm x 216 mm).

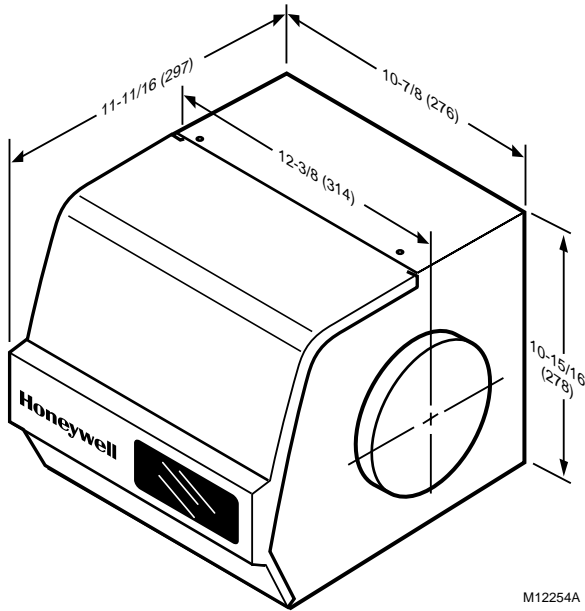
By-Pass Duct Opening (Diameter):

6 in. (152 mm).

Dimensions:

Refer to Fig. 1.

Fig. 1. Dimensions of HE120 in in. (mm).



Testing Standard:

Air-Conditioning and Refrigeration Institute: Standard 610.

Models:

HE120A TRADELINE® By-Pass Drum Humidifier package includes mounting template and hardware, self-piercing saddle valve, 24 Vac transformer and wire, by-pass tubing, summer shut-off damper and H908 Convertible Humidity Control

HE120B TRADELINE® By-Pass Drum Humidifier package includes mounting template and hardware, self-piercing saddle valve, 24 Vac transformer and wire, by-pass tubing, summer shut-off damper and H1008 Automatic Humidity Control with HumidiCalc+™ Software.

Accessories:

PC8900 Perfect Climate Comfort Center™ Control.
HC40 Automatic Humidifier Flushing Timer.

INSTALLATION

Refer to Fig. 2 for a typical installation.

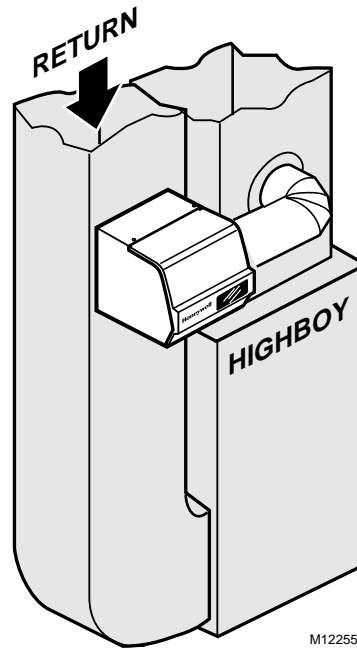


Fig. 2. Typical installation of HE120 Humidifier.

Home and Building Control

Honeywell Inc.
Honeywell Plaza
P.O. Box 524
Minneapolis MN 55408-0524

Honeywell Latin American Region

480 Sawgrass Corporate Parkway
Suite 200
Sunrise FL 33325

Home and Building Control

Honeywell Limited-Honeywell Limitée
155 Gordon Baker Road
North York, Ontario
M2H 3N7

Honeywell Europe S.A.

3 Avenue du Bourget
1140 Brussels
Belgium

Honeywell Asia Pacific Inc.

Room 3213-3225
Sun Hung Kai Centre
No. 30 Harbour Road
Wanchai
Hong Kong

