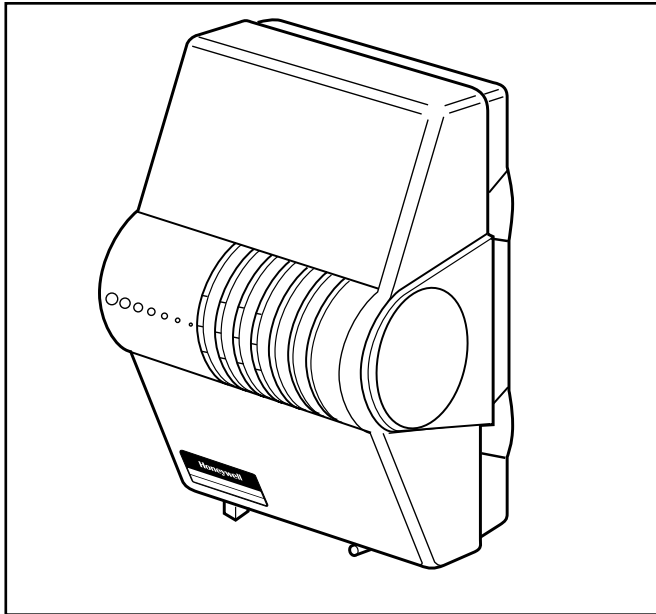


## HE360 Powered Flow-Through Humidifier

### SPECIFICATION DATA



### APPLICATION

The HE360 Powered Flow-Through Humidifier uses the warm air furnace blower to provide humidification for the whole house. The HE360 works with virtually any Honeywell humidity control, but use with the Honeywell Perfect Climate Comfort Center™ control for optimal performance.

### FEATURES

- Capable of humidifying the largest area [up to 4,525 sq ft (420 sq m)] of any Honeywell flow-through humidifier.
- Proven technology used for high performance humidification.
- Interior components designed for quick maintenance and service.
- Includes humidistat which mounts on the wall or duct for more flexibility.
- Perfect Climate Comfort Center™ control can be installed to replace both the thermostat and humidistat for improved aesthetics and convenience.
- Continuous flushing reduces the frequency of maintenance.

### SPECIFICATIONS

#### Capacity:

At 120°F (49°C) plenum temperature and 0.20 static pressure drop across supply and return:

19 Gallons Per Day (GPD) [72 Liters Per Day (LPD)]

#### Humidified Area:

House Description	Air Changes Per Hour	Area (up to)	
		Sq ft	Sq m
Loose	Two	2,065	193
Average	One	2,880	267
Tight	One-half	4,525	420



**Electrical:**

- 120 Vac
- 60 Hz
- 67W

**Humidifier Pad Dimensions [height x width x depth]:**  
16 5/8 in. x 10 in. x 1 5/8 in. (422 mm x 254 mm x 41 mm)

**Plenum Opening Dimensions [height x width]:**  
16 5/8 in. x 13 1/8 in. (422 mm x 333 mm)

**Drain Connection:**  
1/2 in. (13 mm) I.D. plastic hose connected directly to drain fitting on unit

**Dimensions:**  
Refer to Fig. 1.

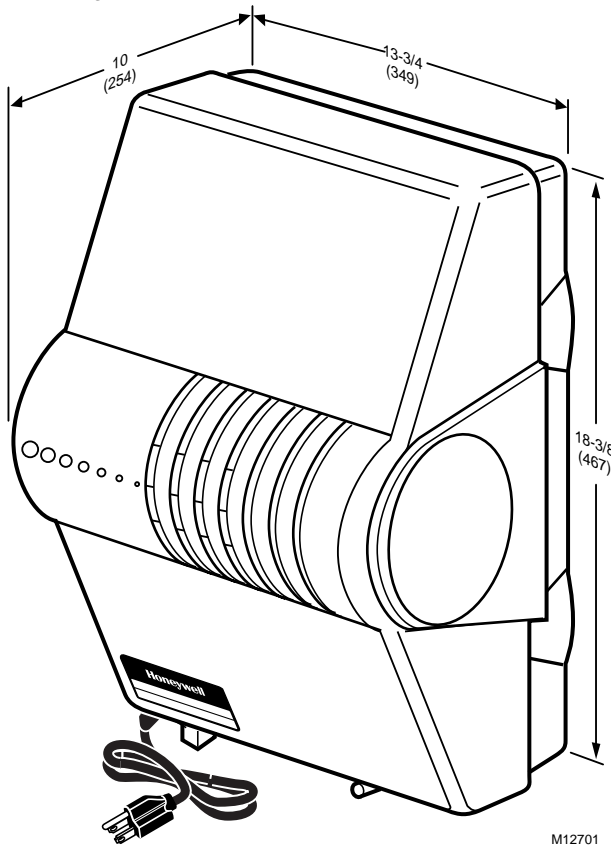


Fig. 1. Dimensions of HE360 in inches (mm).

**Approvals:**

- UL listing pending
- cUL listing pending

**Standards:**  
Tested per ARI Standard 610

**Package Includes:**  
HE360 Powered Flow-Through Humidifier  
Humidifier pad  
Mounting template  
Self-piercing saddle valve  
H808 Humidistat

**Accessories:**  
PC8900 Perfect Climate® Comfort Center™ control  
Current Sensing Relay Sail Switch

**INSTALLATION**

Refer to Fig. 2 for a typical installation.

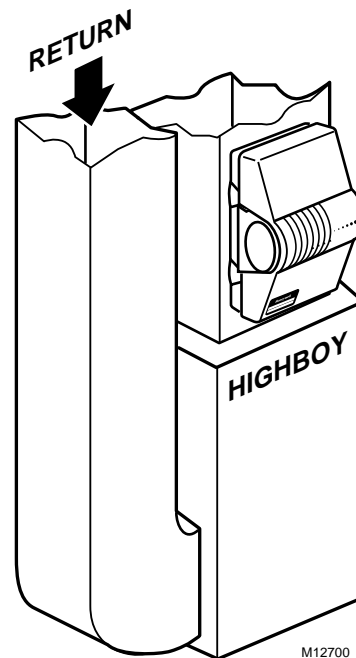


Fig. 2. Typical installation of the HE360 humidifier.

**Home and Building Control**

Honeywell Inc.  
Honeywell Plaza  
P.O. Box 524  
Minneapolis MN 55408-0524

**Honeywell Latin American Region**

480 Sawgrass Corporate Parkway  
Suite 200  
Sunrise FL 33325

**Home and Building Control**

Honeywell Limited-Honeywell Limitée  
155 Gordon Baker Road  
North York, Ontario  
M2H 3N7

**Honeywell Europe S.A.**

3 Avenue du Bourget  
1140 Brussels  
Belgium

**Honeywell Asia Pacific Inc.**

Room 3213-3225  
Sun Hung Kai Centre  
No. 30 Harbour Road  
Wanchai  
Hong Kong

**Honeywell**

Helping You Control Your World®

