

This Owner's Manual is provided and hosted by [Appliance Factory Parts](#).



LOBB WA1 Owner's Manual

[Shop genuine replacement parts for LOBB WA1](#)



[Find Your LOBB Humidifier Parts - Select From 11 Models](#)

----- Manual continues below -----

INTRODUCTION

• LOBB Power Humidifiers are the most versatile, “common sense” designed humidifiers on the market today. They offer you, the homeowner, the most trouble-free, high capacity power humidifiers yet built. Based on the proven high efficiency of the rotating drum principle, these units deliver controlled pure water vapor into the home up to 18 gallons per day.

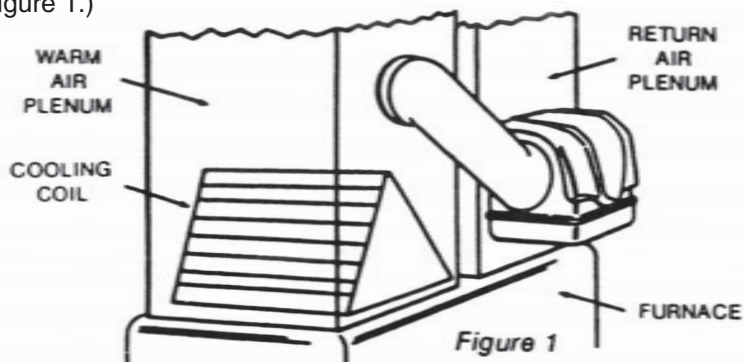
• **OPERATING PRINCIPLE:** Evaporation takes place as the heated air from your furnace passes through the moisture laden evaporative pad. This pad, is wetted as it slowly rotates in a float controlled level of water. The moistened warm air is then passed on into the duct system.

• The operating principle is exactly the same on all LOBB Power Humidifier models. Your LOBB Humidifier housing is manufactured of the highest quality non-corrosive, easily cleaned fiberglass. All component parts, except pad and pan liner are warranted for two years.

• Given the necessary maintenance, your LOBB Humidifier will provide many years of trouble-free performance and the comfort of adequate and controlled indoor relative humidity. Carefully read the instructions enclosed in the Homeowners Manual on caring for your new LOBB Power Humidifier.

INSTALLATION INSTRUCTIONS FOR MODELS WA-2700 & WA-1700 POWER HUMIDIFIERS

1. Both Models WA-2700 and WA-1700 are designed to allow mounting on either the warm air plenum of the return air plenum. Select a location on either plenum that will allow easy access for cleaning and servicing. NOTE: When a cooling coil for central air conditioning is involved, caution should be taken to insure “tapping in” where there is any restriction of air-flow to the humidifier. (See Figure 1.)



IMPORTANT: It is the responsibility of the INSTALLER to insure that the installation is made in accordance with local codes, and in a manner that does not conflict with warranties on other equipment.

9. Insert the rotating drum. The LOBB WA-2700 and WA-1700 Humidifiers are designed to insert or remove the drum from either top or bottom of unit.

10. A. Attach water pan on WA-2700 with stainless steel pan clips. Clips are applied with dimpled side up into molded slot and locked in position by sliding ¼” toward back of unit.

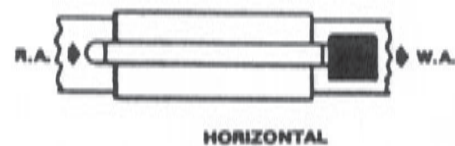
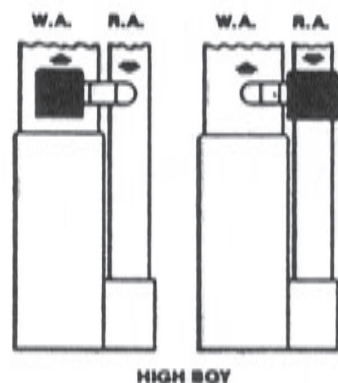
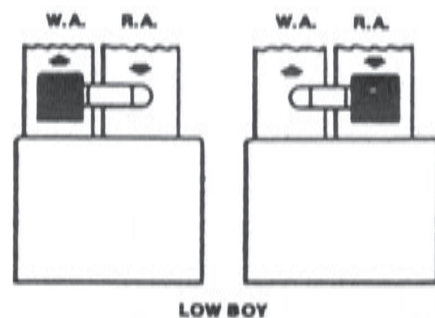
10. B. Attach water pan on WA-1700 by inserting pan so that molded lips on rear of pan lock into rear bar on case – secure by use of brass holding screw in front.

11. Water Level Adjustment- If necessary

With pan in place, open water supply saddle valve. To adjust water level, loosen turn thumb screw and adjust float arm up or down.

2.

PROPER APPLICATIONS OF MODEL WA-2700 & WA-1700



2. When mounting position has been located on the plenum level line 12” up from the top of the furnace. Place pressure sensitive template on the scribed line and smooth.

3. Center punch the four (4) holes as indicated for mounting, and drill 1/8” holes. Using a heavy screw driver and hammer, slash starting hole in the center of cutout template. Insert shears and cut to line and follow outline. Remove remainder of template. (See Figure 2.)

5.

WIRING – 24 VOLT

1. All wiring must comply with local codes and ordinary diagrams below. (Other optional diagrams are shown in instructions.)

NOTE: Necessary low voltage wire to be provided by installer.

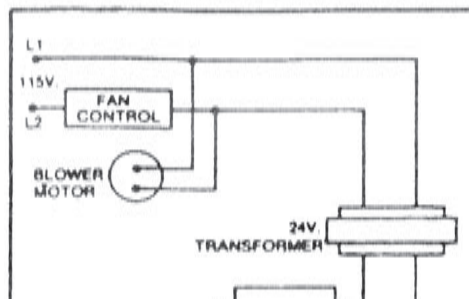


FIG. A. Typical wiring diagram for single speed motor