

This Owner's Manual is provided and hosted by [Appliance Factory Parts](http://www.appliancefactoryparts.com).



GENERAL GU2018 Owner's Manual

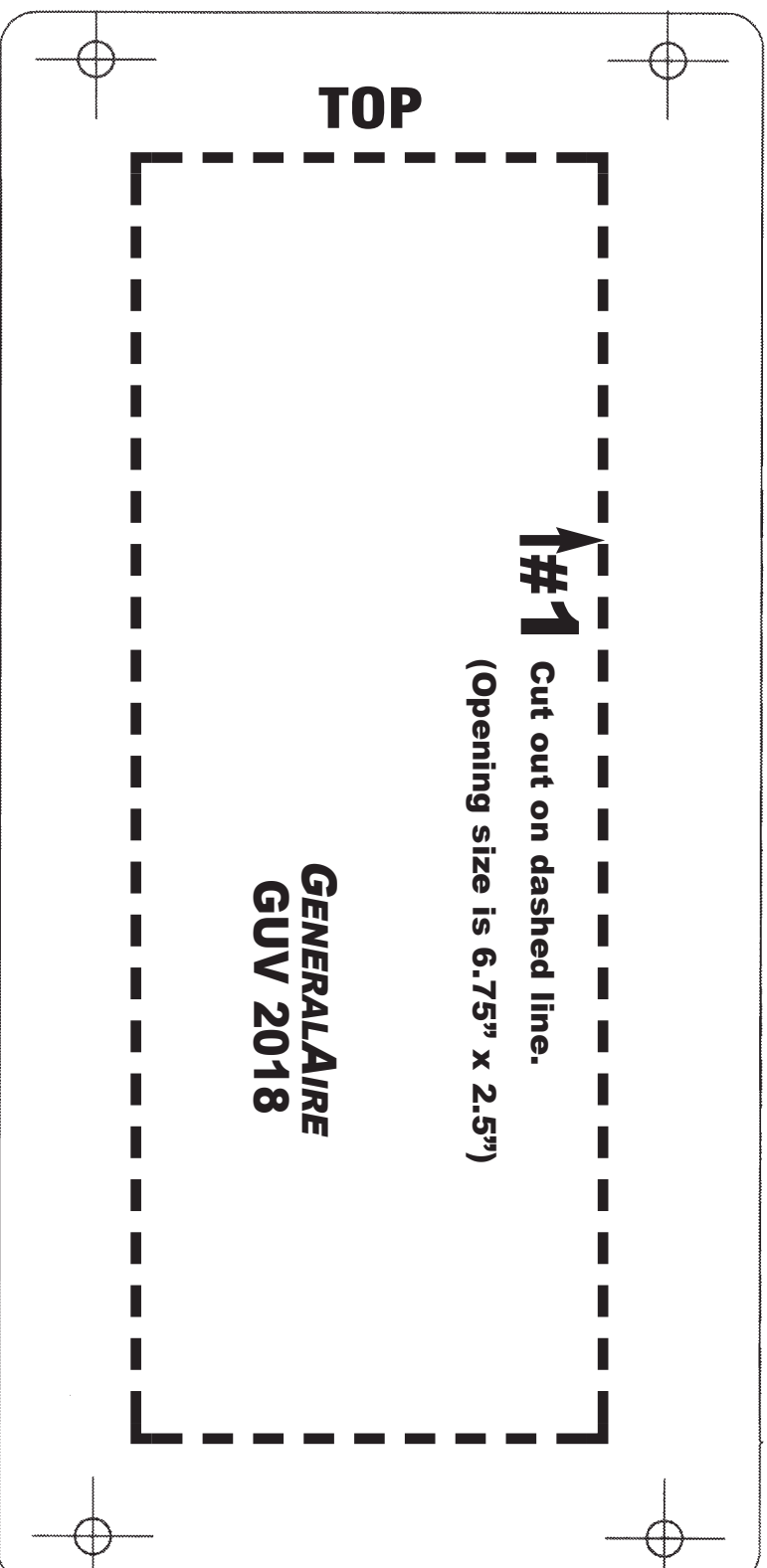
[Shop genuine replacement parts for GENERAL
GU2018](#)



[Find Your GENERAL Air Cleaner Parts - Select From 69 Models](#)

----- Manual continues below -----

INSTALLATION TEMPLATE



1. Cut out shaded area of template (#1) or for high heat installations, cut on the dotted line. (#2)
2. Place template on the return path of the HVAC system and trace the hole pattern for the unit and mark centers for mounting screws.
3. Drill one 9/64" hole at each of these locations ⊕ for sheet metal screws.
4. Cut opening for the unit.
5. Install unit into air duct using the four sheet metal screws provided.

TROUBLESHOOTING

- Under normal operation the LED should light when the unit has been supplied power.

If the LED does not light:

1. Check to be sure there is power to the unit.
2. Be sure lamp connector is fastened securely.
3. If the LED still does not light, replace lamp.
4. If still not operating, replace ballast.

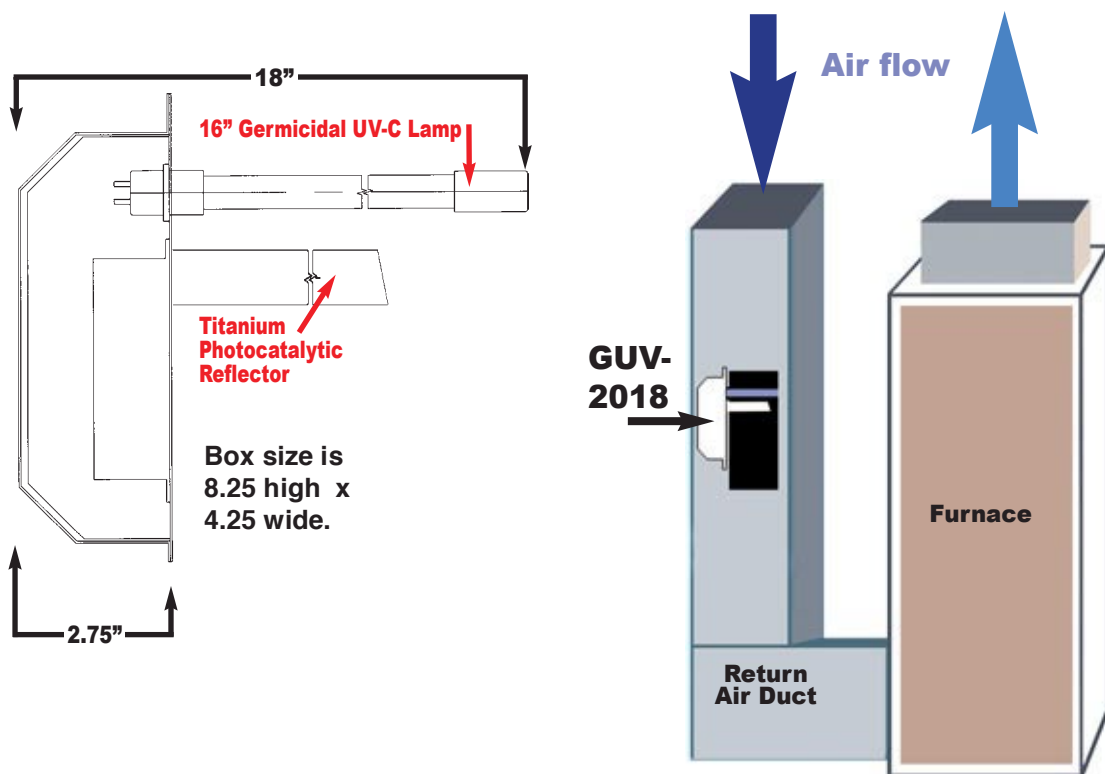
WARRANTY

The manufacturer warrants the GUV161 air purification unit against defects in materials and workmanship for a period of four (4) years from the date of installation.

Lamps carry a warranty for the useful life of the lamp, two (2) years .

This warranty does not cover broken lamps due to shipping, installation or handling.

This warranty gives you specific legal rights and you may also have other rights which vary from state to state.



GENERALAIRE GUV-2018

Dual Voltage Photocatalytic Air Purifier

Installation & Maintenance Instructions



UNPACKING THE UNIT

Each GeneralAire GUV-2018 Air Purifier unit is shipped with the germicidal lamp placed in a tube with protective packaging. Carefully remove lamp from the tube taking care to not touch the glass portion with bare hands. Oils from the hands can cause “hot spots” which reduce lamp life. Handle by the porcelain caps or use a soft cloth. If you accidentally touch a lamp, wipe it off using a soft cloth dampened with rubbing alcohol. The lamp is fragile and proper care must be taken when it is removed from packaging.

Be sure the following parts are included:

- GUV-161 Air Purifier
- 16” Germicidal Lamp (packed in tube)
- Four Sheet Metal Screws and two keps nuts
- Titanium photocatalytic reflector
- Installation & maintenance instructions

IMPORTANT SAFETY INSTRUCTIONS

When installing and using this electrical equipment, basic safety precautions should always be observed including the following:

- 1. READ AND FOLLOW ALL INSTRUCTIONS.**
- 2. SAVE THESE INSTRUCTIONS.**
- 3. Always be sure the unit is unplugged during installation or service procedures.**
- 4. Ultraviolet light produced by the UV lamp is harmful to your eyes. Do not look directly at the lamp. Should it become necessary to view the lamp, use UV-protected safety.**

INSTALLATION

- Best results are achieved when the unit is installed where the HVAC air temperature is most constant. Therefore, the preferred installation *return side* of the furnace. If return side installation is not possible, install the unit on the supply side, keeping it as far from the heat/cooling source as possible, and in the main airstream.

- Do not locate the unit within 20" of any plastic material that will be exposed to the UV light, such as a return side humidifier or certain filters. Check with the filter manufacturer to see if their material is UV resistant. Over time, UV light will degrade many plastic materials.

- Do not touch the glass portion of the lamp with bare hands because oils from the hands can cause "hot spots" which reduce lamp life. Handle either by the porcelain caps or use a soft cloth. If you accidentally touch a lamp, wipe it off using a soft cloth dampened with rubbing alcohol.



(Photo A)

1. The ballast is factory set at 120 VAC. For installations that require 240 VAC locate the 120/240 volt power selector on the ballast and set for the correct voltage. (Photo A)

2. Cut out the shaded area of the installation template. (insert.) Center the template on the longitudinal axis of the plenum using tape to hold it in place. Trace the hole pattern for the unit and mark centers for mounting screws.

3. Drill 9/64" holes for sheet metal screws and cut opening for the unit

4. Remove the cover from the unit using a 1/32 size nut driver to remove the top and bottom retaining nuts and set aside

5. Attach the titanium reactor panel to back of unit as an inverted "V" to maximize airflow (as indicated in photo A.) Use an 11/32 size nut driver and the 8-32 keps nuts packaged with sheet metal screws and fasten securely

4. Attach unit to air duct using the four sheet metal screws provided.

6. Remove germicidal lamp holder (Figure A) using a 11/32 size nut driver.

7. Slide germicidal lamp into lamp opening

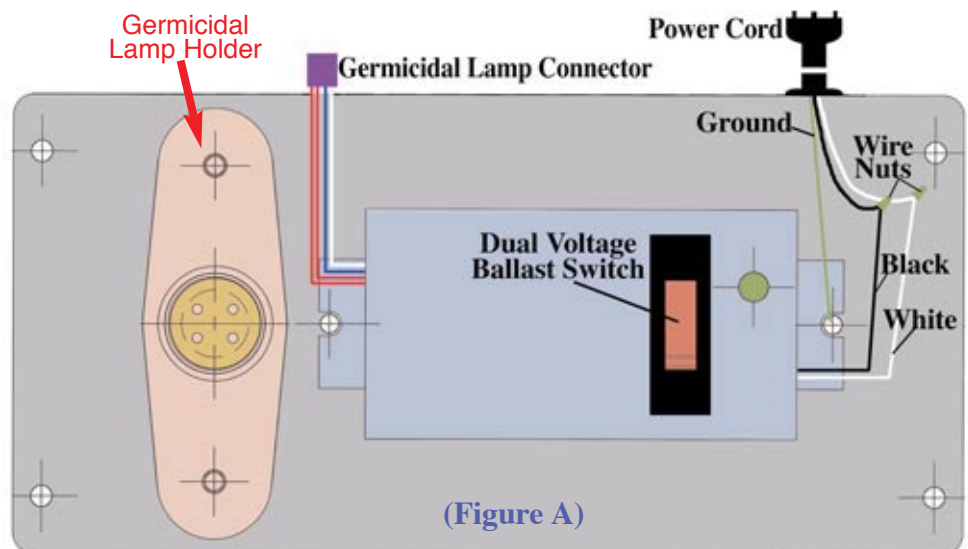
8. Reinstall lamp holder.

9. Plug in lamp connector to the end of lamp.

10. Replace and secure cover using the two retaining nuts.



(Photo B)



(Figure A)

WIRING

Simply plug the unit into an 120 VAC outlet and allow it to run continuously. The ballast is factory set at 120 VAC. For installations that require 240VAC locate the 120 / 240 volt power selector on the ballast and set for the correct voltage. *(Photo A)* Remove plug and wire in accordance with local wiring codes.

MAINTENANCE

This maintenance schedule is only a guideline, determined by average conditions. Actual conditions will dictate the frequency of cleaning and/or replacement of lamps. Do not touch the glass portion of the lamp with bare hands because oils from the hands can cause “hot spots” which reduce lamp life. Handle either by the porcelain caps or use a soft cloth. If you accidentally touch a lamp, wipe it off, using a soft cloth dampened with rubbing alcohol.

CLEANING THE LAMP - Recommended interval: 12 months

1. Unplug the power cord from the outlet, or disconnect power to the unit.
2. Remove the cover from the unit using a 11/32 size nut driver to remove the top and bottom retaining nuts.
3. Unplug the lamp connector from the end of the lamp.
4. Remove lamp holder using a 11/32 size nut driver. *(Figure B)*
5. Remove the lamp by grasping the porcelain cap and extract carefully.
6. Using a soft cloth moistened with rubbing alcohol, wipe down the lamp. If there is a large build-up of dust particles, you may want to use a can of air first. Always handle lamp by the end caps.
7. Slide the lamp back into lamp opening.
8. Reinstall lamp holder.
9. Plug the lamp connector to the end of the lamp.
10. Replace and secure cover using the two retaining nuts.
11. Plug power cord back into outlet, or restore power to unit.

REPLACING THE LAMP - Recommended interval: 24 months.

Follow above procedure excluding #6.

*Please note standard off-the-shelf lamps are not compatible with this unit.
Use of improper lamps will void warranty.*