

This Owner's Manual is provided and hosted by [Appliance Factory Parts](#).



Charbroil 466761306 Owner's Manual

[Shop genuine replacement parts for Charbroil
466761306](#)



[Find Your Charbroil Grill Parts - Select From 3592 Models](#)

----- Manual continues below -----

1

Parts to assemble:
 1 Leg Assembly
 1 Leg Assembly
 2 Side Support Braces
 4 Carriage Bolt, 2"
 4 Plastic Tee Knob

A. Lay leg assemblies on their sides.
 B. Place front panel on legs.
 C. Place side support braces on legs.
 D. Secure with carriage bolts and tee knobs.

Front Panel
 Leg Assembly
 Side Support Braces

Qty. 4
 Qty. 4

NOTE: To prevent scratching, lay grill on packing material to assemble.

3

Parts to assemble:
 1 Grill Bottom Assembly
 4 Carriage Bolt, 1/2"
 4 Metal Wing Nut
 2 Control Knob

A. Stand cart upright.
 B. Make sure ignitor wire is connected to ignitor.
 C. Place grill bottom onto supports. Control knob will align with ignitor wire.
 D. Secure with carriage bolts and wing nuts.
 E. Press control knobs onto valves.

Grill Bottom
 Ignitor Wire
 Control Panel

Qty. 4
 Qty. 4

2

Parts to assemble:
 1 Back Support Brace
 4 Carriage Bolt, 2"
 4 Plastic Tee Knob
 2 Wheel Assembly
 2 Hitch Pin
 2 Leg Extender

A. Turn assembly upside-down.
 B. Secure back brace and side brace to left leg and back brace to right leg with carriage bolts and tee knobs. **NOTE:** Leave tee knobs loose on right side.
 C. Insert wheel assemblies into legs and bracket. Bracket fits inside legs.
 D. Secure with hitch pins in axle-hole closest to leg.
 E. Push leg extenders into right legs.

Wheel Assembly
 Tank Support Bracket
 Leg Extender
 Back Support Brace

Qty. 4
 Qty. 2

OR

Parts to assemble:
 1 Back Support Brace
 4 Carriage Bolt, 2"
 4 Plastic Tee Knob
 2 Wheel Assembly
 2 Hitch Pin
 2 Leg Extender

A. Turn assembly upside-down.
 B. Secure back brace and side brace to left leg and back brace to right leg with carriage bolts and tee knobs. **NOTE:** Leave tee knobs loose on right side.
 C. Insert wheel assemblies into legs and bracket. Bracket fits inside legs.
 D. Secure with hitch pins in axle-hole closest to leg.
 E. Push leg extenders into right legs.

Wheel Assembly
 Tank Support Bracket
 Leg Extender
 Back Support Brace

Qty. 2
 Qty. 4

4

Parts to assemble:
 1 Vaporizer Bar
 1 Cooking Grate

A. Place vaporizer bar onto the two inner support ridges in each end of grill bottom. Support ridges are on the outer support ridges. See inset below.
 B. Place cooking grate onto grill bottom.

Cooking Grate
 Vaporizer Bar

NOTE: Ceramic briquets are not required.

2

Parts to assemble:
 1 Back Support Brace
 4 Carriage Bolt, 2"
 4 Plastic Tee Knob
 2 Wheel Assembly
 2 Hitch Pin
 2 Leg Extender

A. Turn assembly upside-down.
 B. Secure back brace and side brace to left leg and back brace to right leg with carriage bolts and tee knobs. **NOTE:** Leave tee knobs loose on right side.
 C. Insert axle bolts through wheels, left legs and bracket. Bracket fits inside legs.
 D. Secure with hitch pins in axle-hole closest to leg.
 E. Push leg extenders into right legs.

Wheel Assembly
 Tank Support Bracket
 Leg Extender
 Back Support Brace

Qty. 2
 Qty. 4

Wheels with separate axle bolt.

5

Parts to assemble:
 2 Side Shelf
 8 Carriage Bolt, 2"
 8 Tee Knobs

A. Place shelves onto legs (curved edge inward).
 B. Secure with carriage bolts and tee knobs.

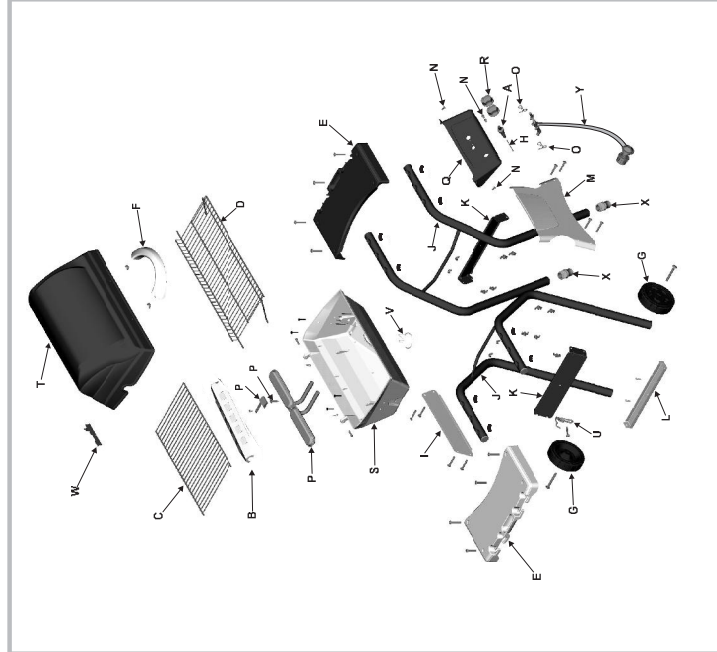
Side Shelf
 Curved Edge

Qty. 8
 Qty. 8

Parts List - Model 466761306

Part #	Qty.	Description	Part #
A	1	Ignitor	4157143
B	1	Vaporizer Bar	4500290
C	1	Cooking Grate	4152739
D	1	Swing-Away Valve/Hose/Regulator	4152124
E	2	Side Shelf	4154279
F	1	Handle	4154488
G	2	Wheel	4310002
H	1	Ignitor Wire, 11"	4153196
I	1	Back Support Brace	4500251
J	2	Leg Assembly	4502097
K	2	Side Support Brace	4502373
L	1	Tank Support Bracket	4502050
M	1	Front Panel	4502118
N	4	#10x1/2", T-20, Self-Tap Screw	4080043
O	2	Valve Clip	4151043
P	1	Burner/Collector Assembly	4500094
Q	1	Control Panel	7001520
R	2	Control Knob	4154470
S	1	Grill Bottom	4580183
T	1	Grill Lid	4581019
U	1	Tank Retainer Wire	4151018
V	1	Grease Cup	5156607

Optional Assembly Hardware
 We realize some customers prefer to use tools. Optional hex nuts have been provided for you to use.



NO TOOLS REQUIRED

Register your grill online at WWW.GRILLREGISTRATION.COM

STOP

If you have any problems with this product, call 1-800-387-6057

Open 8:00 A. M. To 6:00 P. M. EST Monday - Friday

Before returning this product to the store, we can help with damaged or missing parts, assembly and operation questions.

QUICKSET®
 466761306
 ASSEMBLY MANUAL

THIS GRILL IS FOR OUTDOOR USE ONLY

CAUTION: Read and follow all safety instructions. Do not use this grill for anything other than its intended use. Do not attempt to assemble and cook.

INSTALLER/ASSEMBLER: Leave these instructions with consumer.

CONSUMER: Keep this manual for future reference.

WARNING
 Failure to follow all manufacturer's instructions could result in serious personal injury and/or property damage.

CAUTION
 Some parts may contain sharp edges – especially as noted in the manual! Wear protective gloves if necessary. If you have any questions or need assistance during assembly, please call 1-800-387-6057.

Visit us on the web at: www.charnoll.com

THERMOS®
 Columbus, GA

© 2005 W.C. Bradley Co., All Rights Reserved
 466761306 / (L-7001515) (12-12-05)

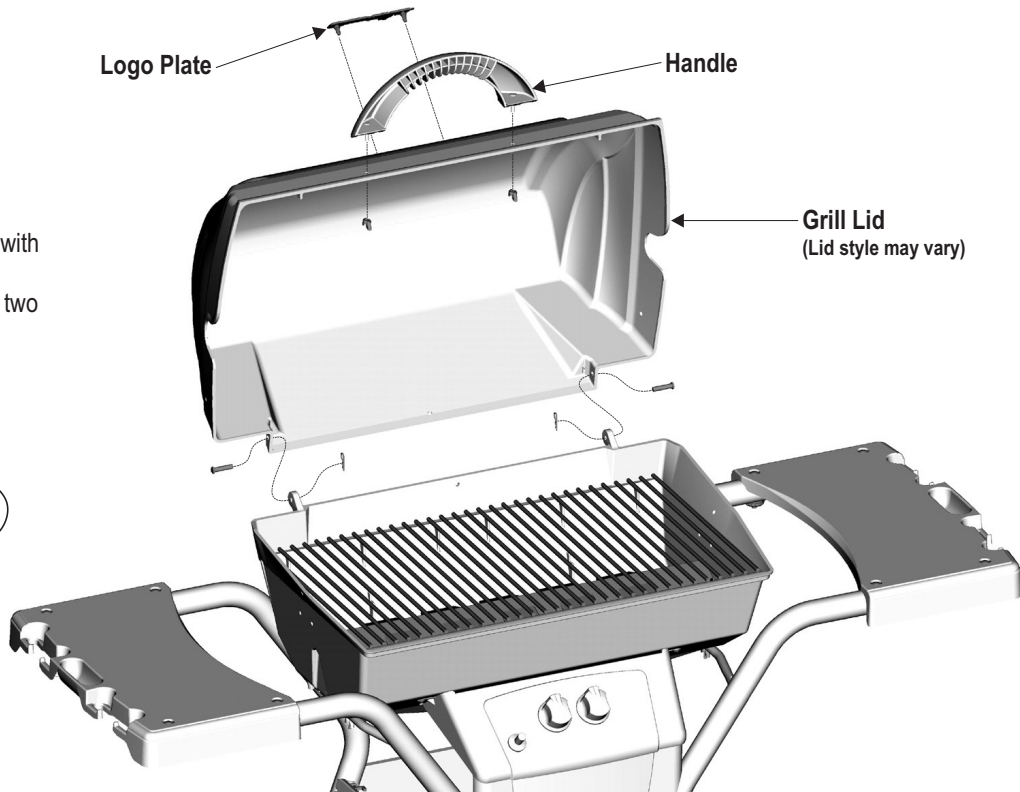
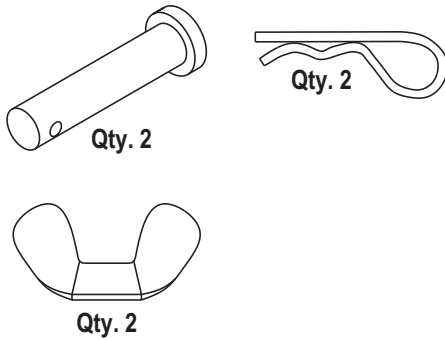
Printed in USA

6

Parts to assemble:

- 1 Grill Lid
- 1 Handle
- 1 Logo Plate
- 2 Metal Wing Nut
- 2 Hinge Pin
- 2 Hitch Pin

- A. Attach lid to grill bottom with hinge and hitch pins.
- B. Attach handle to lid with two metal wing nuts.
- C. Snap logo plate into lid.



9

Parts to assemble:

- 1 LP Gas Tank (purchased)

LP tank is sold separately. Fill and leak check before attaching to grill and regulator.

- A. Center LP tank on support bracket with collar opening to front.
- B. Slide retainer over tank collar and tighten tee knob.



Tank collar opening must face to front of cart once tank is attached.

Failure to install tank correctly may allow gas hose to be damaged in operation, resulting in the risk of fire.

See Use & Care manual to perform the "Burner Flame Check" and for important safety instructions before using.

