

This Owner's Manual is provided and hosted by [Appliance Factory Parts](#).



# GENERAL 4835 Owner's Manual

[Shop genuine replacement parts for GENERAL 4835](#)



[Find Your GENERAL Air Cleaner Parts - Select From 69 Models](#)

----- Manual continues below -----

## TROUBLESHOOTING

- Under normal operation the LED should light when the furnace blower is running.
- Both lamps operate from the same multivoltage ballast.

### If the LED does not light:

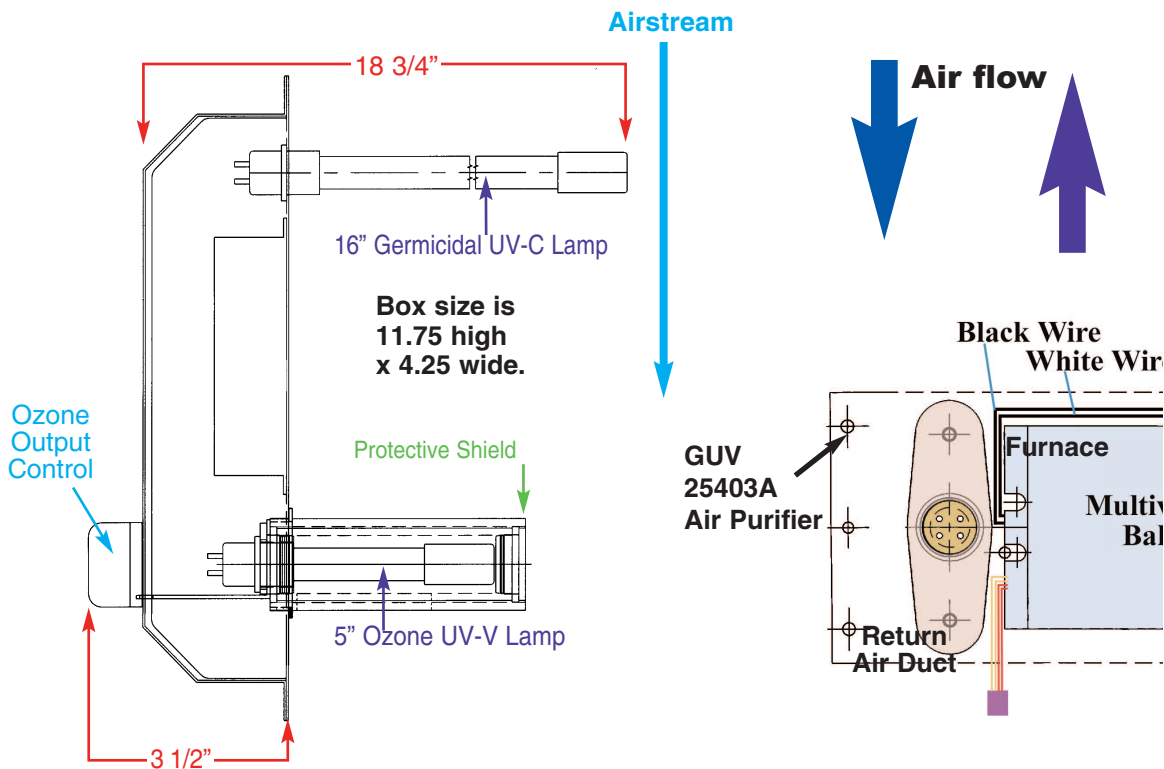
1. Check to be sure there is power to the unit.
2. Be sure lamp connectors are fastened securely.
3. If the LED still does not light, replace lamp(s).
4. If still not operating, replace ballast.

*(Please note standard off-the-shelf lamps are not compatible with this unit.*

*Use of improper lamps will void warranty.)*

## WARRANTY

The manufacturer warrants the GU25403A air purification unit against defects in materials and workmanship for a period of four (4) years from the date of installation. Lamps carry a warranty for the useful life of the lamp, two (2) years. This warranty does not cover broken lamps due to shipping, installation or handling. This warranty gives you specific legal rights and you may also have other rights which vary from state to state.



© 2006 For service please call 248-476-5100



## General Installation

Each General lamp installed...  
lamp installed...  
packaging. C...  
the glass port...  
cause "hot spo...  
use a soft clo...  
cloth dampene...  
must be taken

## IMP IMP

When installing a

1. READ A
2. Minim
3. Always b
4. The ultrav  
the lamp.

Lors de l'inst

- 1- Lire et
- 2- Espace
- 3- Assurez
- 4- Ne pas r  
veuillez p

## **INSTALLATION:** Living space, 1,200 square feet minimum.

• Best results are achieved when the unit is installed where the HVAC system air temperature is most constant. Therefore, the preferred installation is on the *return side* of the furnace. If return side installation is not possible, install the unit on the supply side, keeping it as far from the heat/cooling source as possible, and in the main airstream. Mount the GUV25403A upstream when installing in combination with a GeneralAire H.E.P.A. unit.

*If there is an existing ozone producing device on the furnace, install one of our non-ozone producing models.*

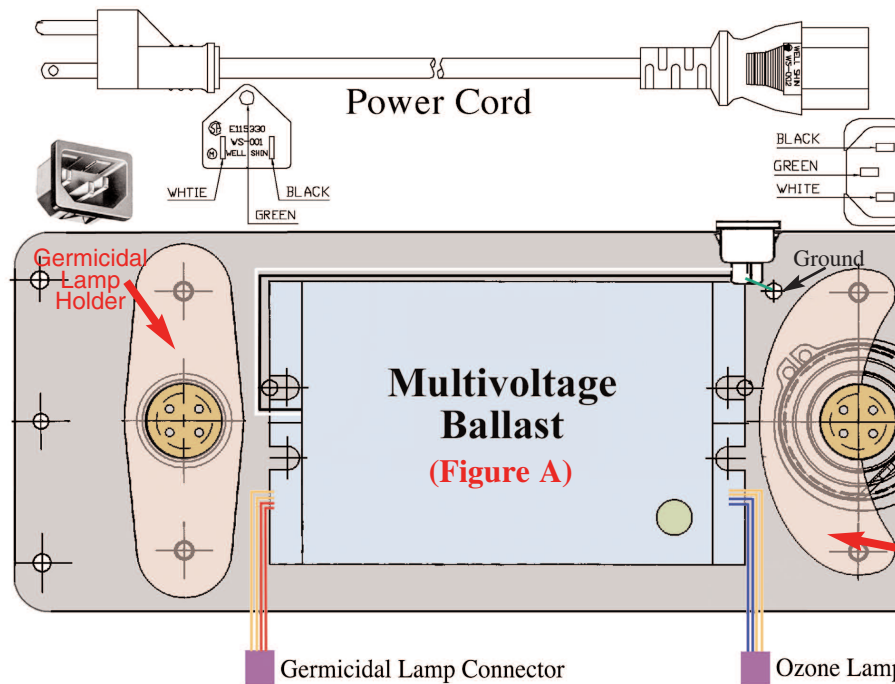
• Do not locate the unit within 20" of any plastic material that will be directly exposed to the UV light, such as a return side humidifier or certain types of air filters. Check with the filter manufacturer to see if their material is UV resistant. Over time, UV light will degrade many plastic materials.

• Do not touch the glass portion of the lamps with bare hands because oils from the hands can cause "hot spots" which reduce lamp life. Handle either by the porcelain caps or use a soft cloth. If you accidentally touch a lamp, wipe it off, using a soft cloth dampened with rubbing alcohol.

1. Cut out the shaded area of the installation template. (*See insert*)
2. Center template on the longitudinal axis of the plenum using tape to hold it in place. Trace the hole pattern for the unit and mark centers for mounting screws. (Airflow direction is marked on the air purifier unit.)
3. Cut opening for the unit and drill 9/64" holes for sheet metal screws.
4. Remove the cover from the unit by removing the top and bottom retaining nuts using an 11/32 size nut driver and set aside. Do not remove the ozone control knob.

*(For easier installation rotate ozone control knob to the center position before removing cover.)*

5. Attach unit to air duct using the four sheet metal screws provided.
6. Remove germicidal lamp holder (*Figure A*) using a 11/32 size nut driver.
7. Slide germicidal lamp into lamp opening.
8. Reinstall lamp holder.
9. Plug in lamp connector to the end of lamp.
10. Replace cover and align the ozone control knob with ozone adjustment linkage by gently turning the knob until linkage clicks into place. Secure cover using the two retaining nuts.



## **WIRING**

The multivoltage ballast is interlocked with the ozone control knob. Connect in accordance with the wiring diagram or using an approved electrician. Operating. An ozone-producing device.

## **SETTING**

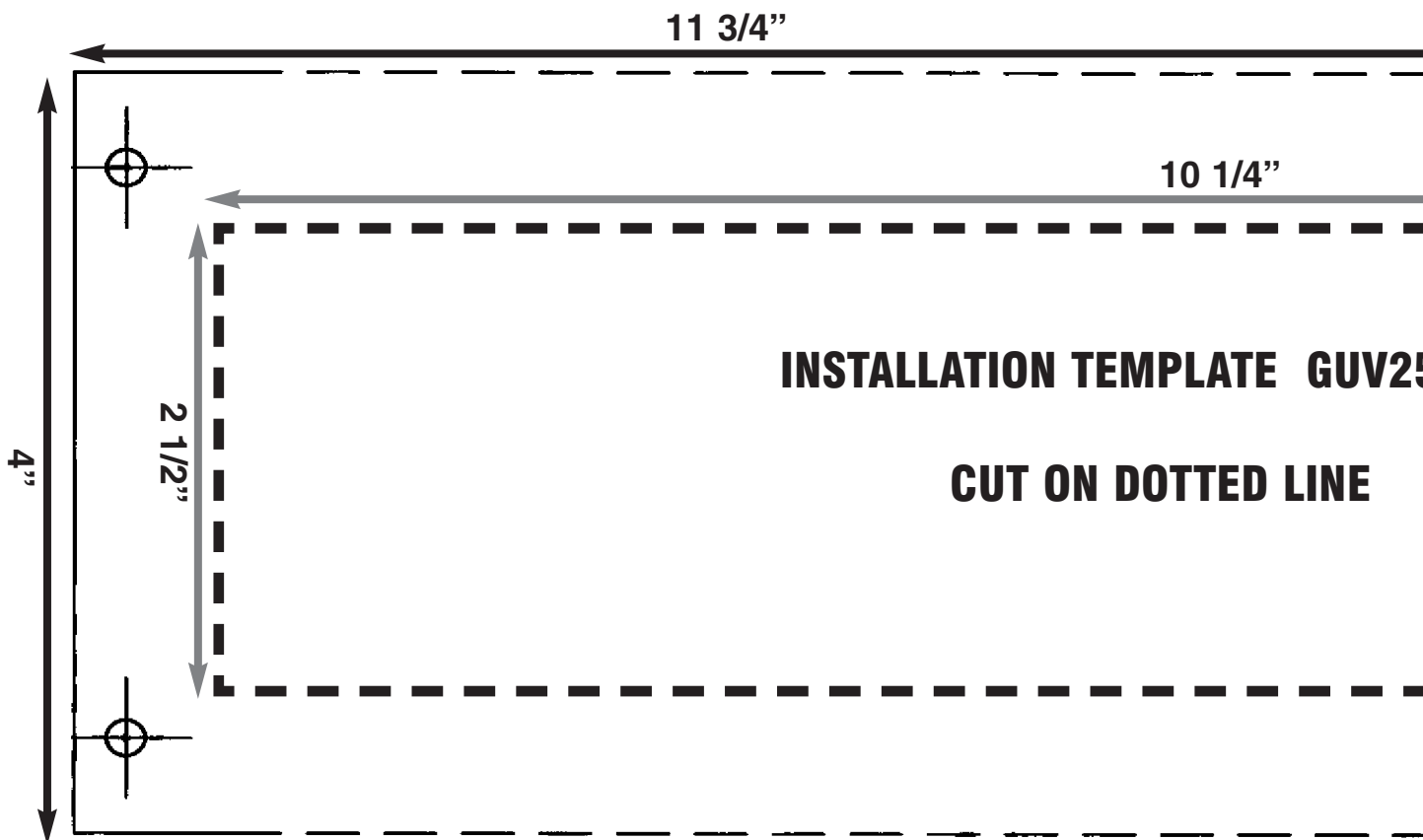
- The air purifier will cycle with the furnace.
- The ozone control knob. Start with the knob in the "Off" position. If household items are present, turn the knob to the "On" position.

## **MAINTENANCE**

This maintenance schedule is based on the frequency of use. Clean the filters regularly because oils from the furnace can accumulate on the filters or use a soft cloth.

## **CLEANING**

## **REPLACING**



1. Cut out shaded area of template
2. Place template on the return path of the HVAC system and trace the hole pattern for the unit and mark the location. The dimension is parallel to the direction of the air flow.
3. Drill one 9/64" hole at each of these locations  $\oplus$  for sheet metal screws.
4. Cut opening for the unit.
5. Install unit into air duct so that airflow matches direction indicated on side of unit using the four