

This Owner's Manual is provided and hosted by [Appliance Factory Parts](#).



Broil King 969-47 Owner's Manual

[Shop genuine replacement parts for Broil King 969-47](#)



[Find Your Broil King Grill Parts - Select From 1350 Models](#)

----- Manual continues below part list -----

Available Replacement Parts for Broil King 969-47

| | |
|-----------------------------|--|
| 03200 | spark generator; Bmstr, DCS, Ducane |
| 04200 | electrode |
| 14212 | burner head, fig-8, ss, 20 x 7.875; Broi |
| 18434 | INFINITY BURNER T501 |
| 10892-8NG | WHEEL 8 INCH GREY WALL |
| 10225-T628 | GRID FLAT WARMING RACK DELUXE+ |
| 10225-T627 | GRID SWING BASKET IMPERIAL BLACK |
| 10225-T528 | GRID FLAT WARM RACK T50 PORC + |
| 03230 | spark generator; Ducane |
| 18488 | FLAV-R-WAVE - 50,000 BTU STAINLESS |
| 11115 | CI COOKING GRID - T626 |
| 10342-T301 | IGNITOR ELECTRODE ASSEMBLY 8 BURNER 1993 |
| 10711-r562 | SHELF LEFT C LG W/O BRACKET + |
| 10222-T626 | GRATE FLAV R CAST IMPERIAL + |
| 18013 | LARGE PROBE HEAT INDICATOR |
| 10184-R19 | TANK RETAINER-PEDESTAL-NEW |
| 10225-T10 | GRID PORCELAIN S/B |
| 10393-K40 | SIDE BURNER COVER 1.86 |
| 10081-BK630 | NAMEPLATE HI BROIL KING BLACK ZINC |
| 10240-15 | HINGE PIN SIDE SHELF DROP DOWN |
| S21237 | HINGE PIN SPACER |
| 10110-91 | TUBE R/B ASSY COMPR FITTING |
| 10892-15 | CASTER 2 1/2 INCH WHEEL KNURLED |
| S15171 | AXLE PLTD 3/8x18 9/16 PED + |
| S21124 | SCREW PHCP #8 X 12 + |
| PB20-60A | S/B LID HANDLE WAGON ENCLOSER+ W/SCREWS |
| 10390-E10 | BURNER SIDE 10BTU W/ELEC #8 + |
| 10342-T14 | WIRE ELECTRODE S/B FLAT/ROUND+ |
| 10393-R50 | SIDE BURNER BODY 2002 + |
| 10239-7 | HANDLE GASKET TRIANGULAR 1/8 |

| | |
|-----------------------------|---|
| 50416 | SMALL DRIP PAN - 10 PACK |
| 538S2 | grid, 304 ss oem style, 17.3125 x 23.5; |
| 02342 | control knob; universal |
| 10342-246 | IGNITOR ELECTRONIC TRIPLE + |
| 10184-R80 | RADIATION SHIELD RAW |
| S13005A | BURNER TUBULAR W/IGNITION |
| 10696-127 | R/B ORIFICE LP |
| 10696-185 | R/B ORIFICE NG 1.85MM |
| 10909-T50 | CASTING BOTTOM 52M 2002 + |
| 10473-T50 | CASTING TOP 52M |
| 10081-BK611 | NAMEPLATE REGAL ZINC DIE CAST |
| 10184-K651 | SUPPORT CASTING LEFT |
| Y-11797 | BOLT SWING BASKET #D |
| 10184-R581 | SHELF SUPPORT LFT BLK(18 INCH) |
| 10184-R591 | SHELF SUPPORT RH BLK(18 INCH) |
| 66162 | grid, ci, 17.125 x 24.875; Grill Chef |
| 10472-k40 | KNOB ROTARY IGNITOR #B |
| 80012 | regulator and hose READ ADD. INFO |
| 10342-245 | IGNITOR ELECTRONIC DUAL + |
| 10958-E71 | PEDESTAL RESIN BASE LRG + |
| 11124 | EXACT FIT CAST GRID |
| 10111-K45 | HOSE 3/8 INCH ASSEMBLY NG 10 FOOT + |
| Y-11990 | NUT HEX BRASS 3/8 27 RB LINE |

Broil King®

REDDI-BILT BARBECUES

ASSEMBLY MANUAL & PARTS LIST

MANUEL DE MONTAGE & LISTE DE PIÈCES

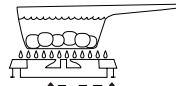
Broil King®

REGAL 70
958-74
958-77



Broil King®

REGAL 90
958-94
958-97



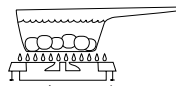
Broil King®

IMPERIAL 20
969-24
969-27



Broil King®

IMPERIAL 40
969-44
969-47



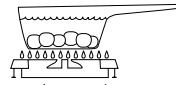
Broil King®

IMPERIAL 70
969-74
969-77



Broil King®

IMPERIAL 90
969-94
969-97



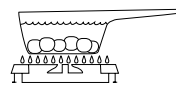
Broil King®

SIGNET 50
5818-4
5818-7



Broil King®

SIGNET 80
5848-4
5848-7



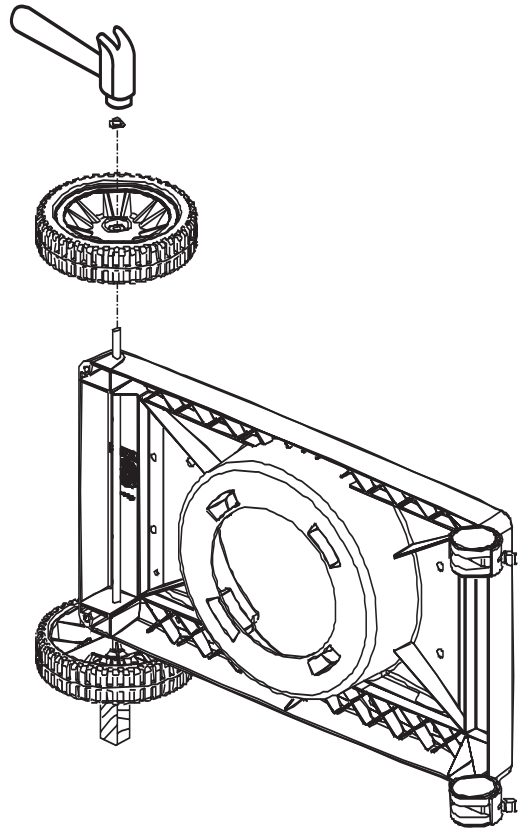
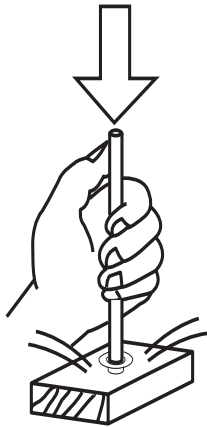
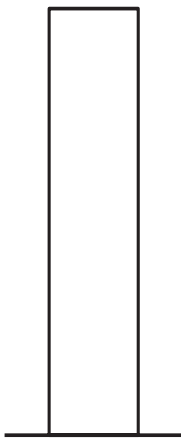
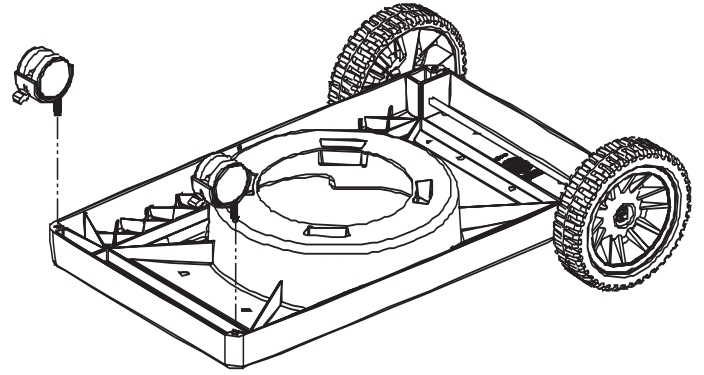
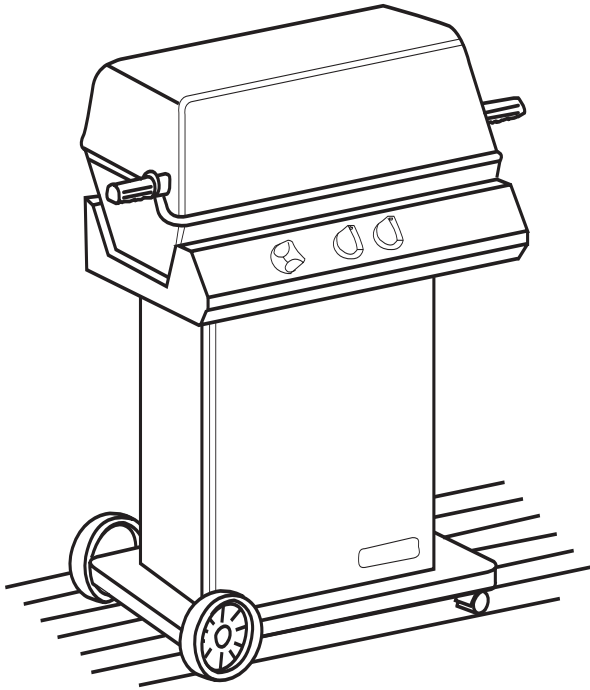
RETAIN FOR FUTURE REFERENCE

VEUILLEZ CONSERVER POUR REFERENCE ULTERIEURE

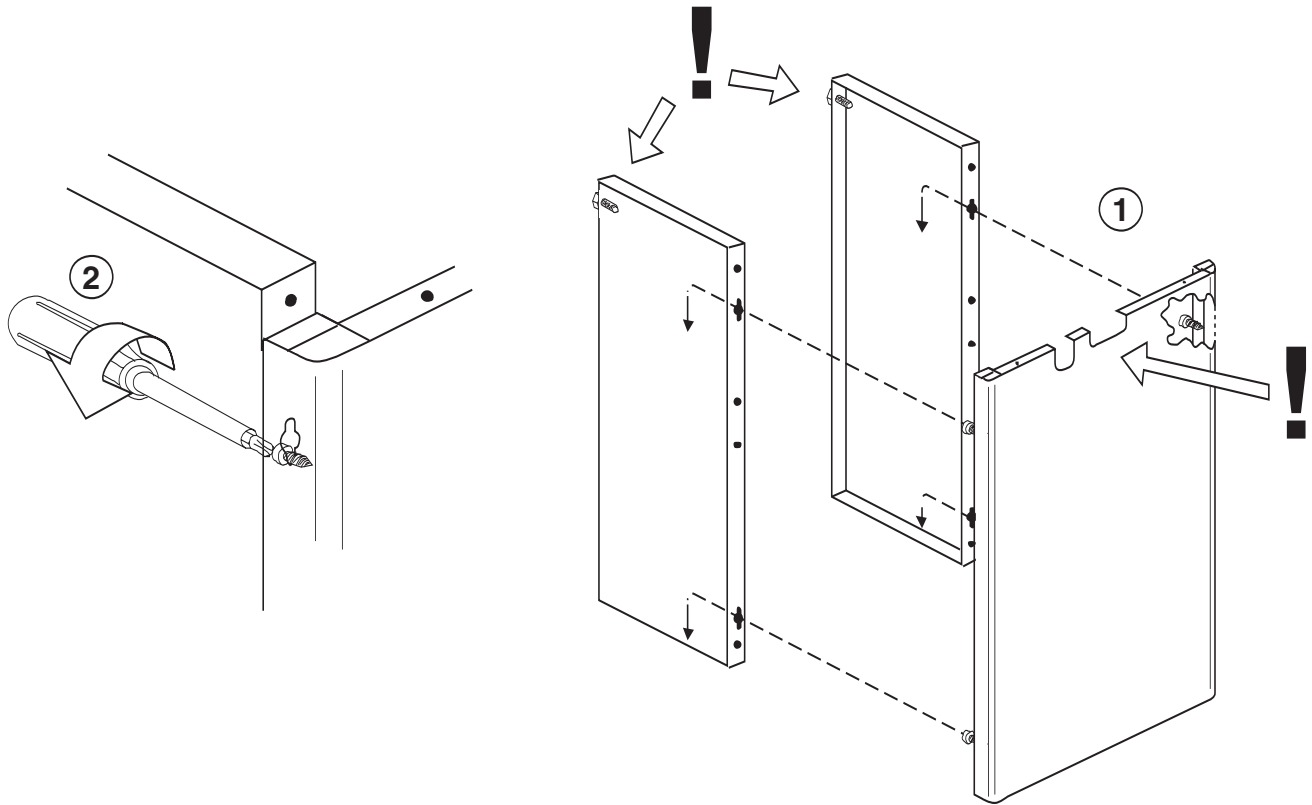
Onward
MANUFACTURING COMPANY LIMITED
SINCE 1906
585 KUMPF DRIVE
WATERLOO, ONTARIO, CANADA
N2V 1K3

1

(2)

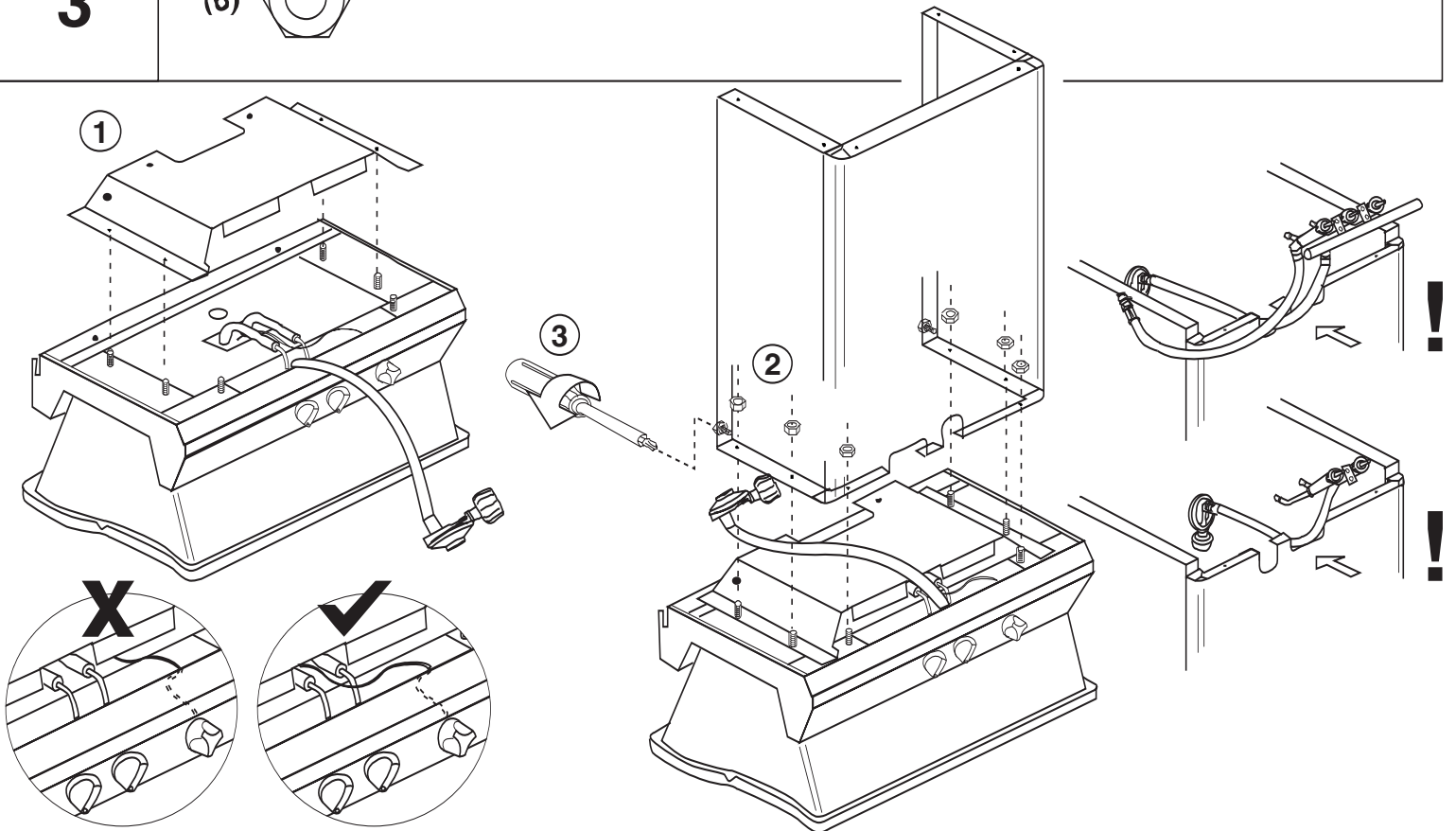


2



3

(6)

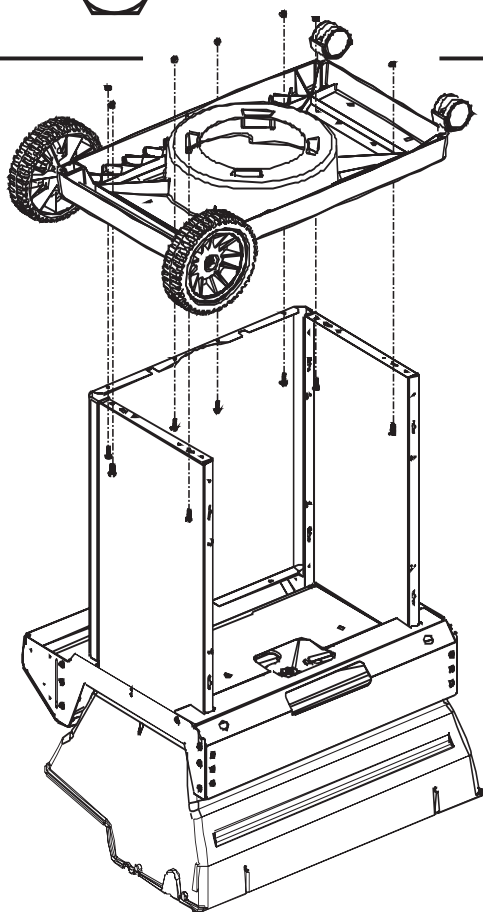


4

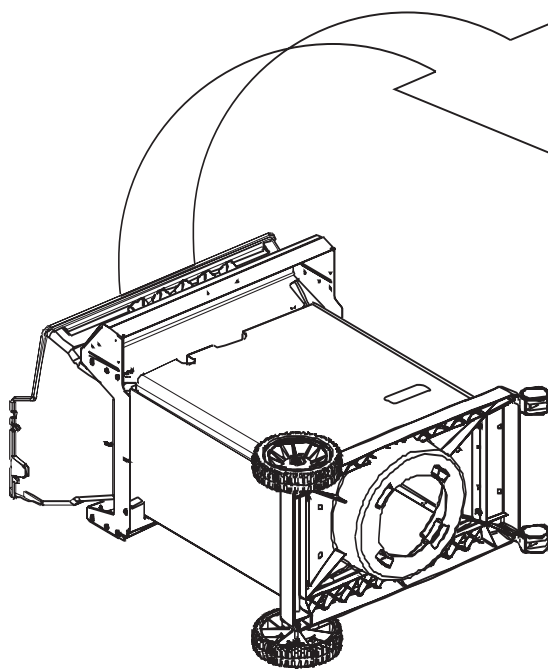
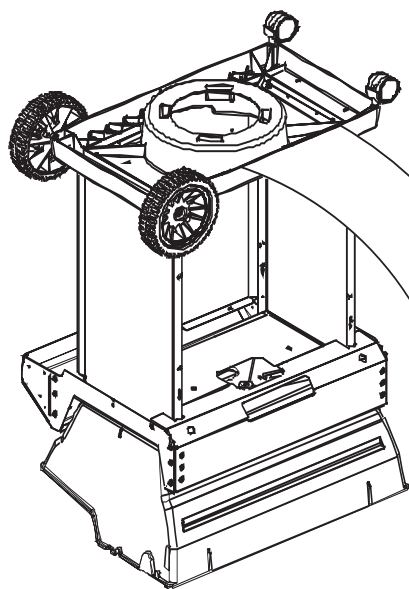
(6)



(6)

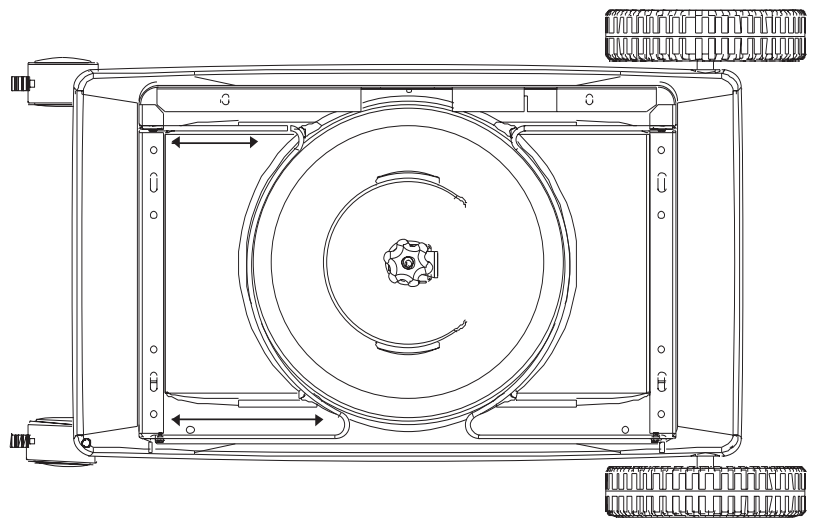
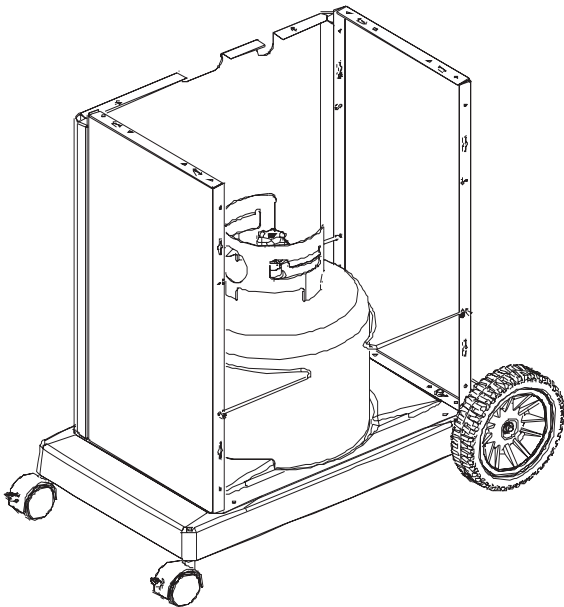
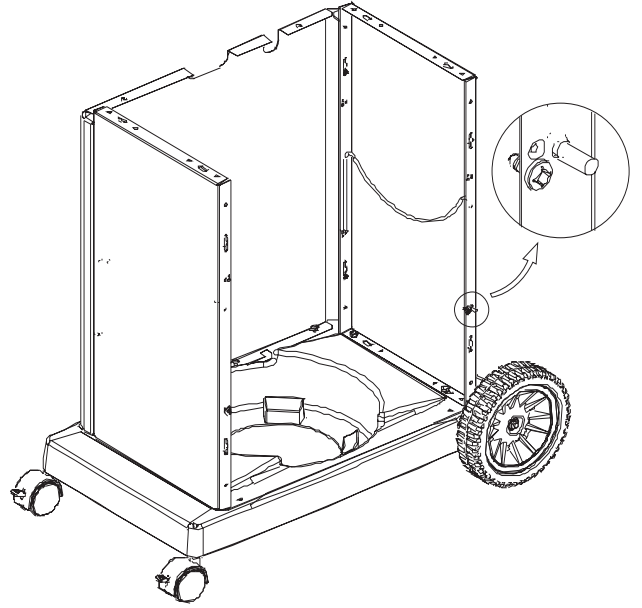
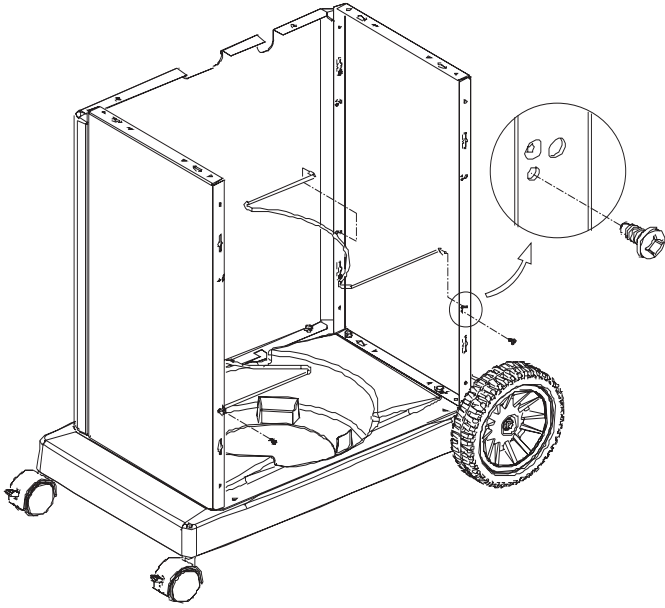


5



6

(2) 

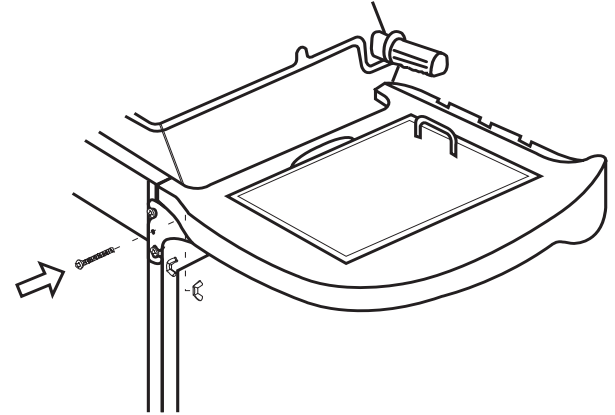
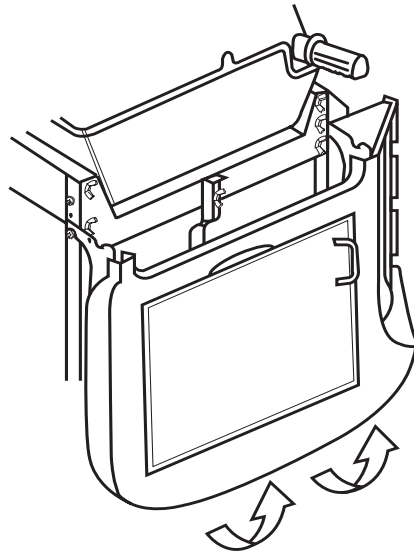
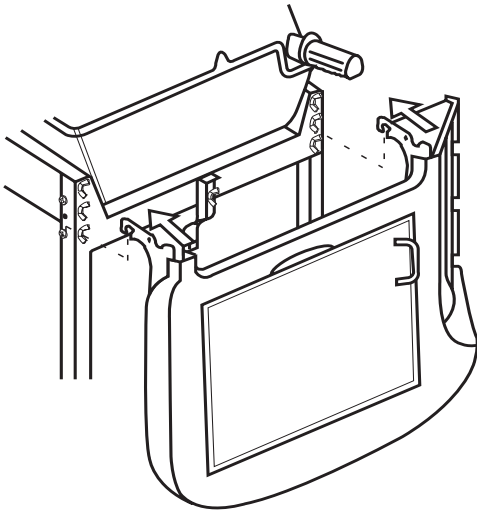
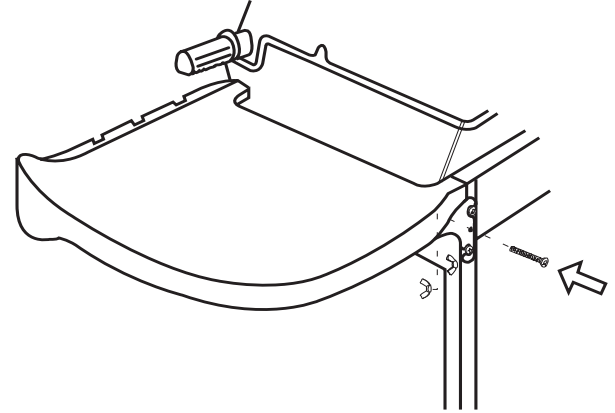
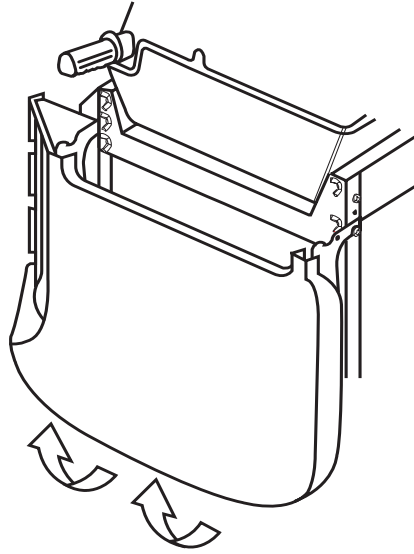
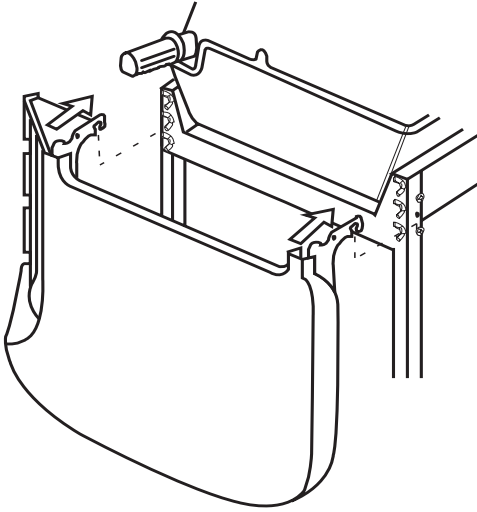


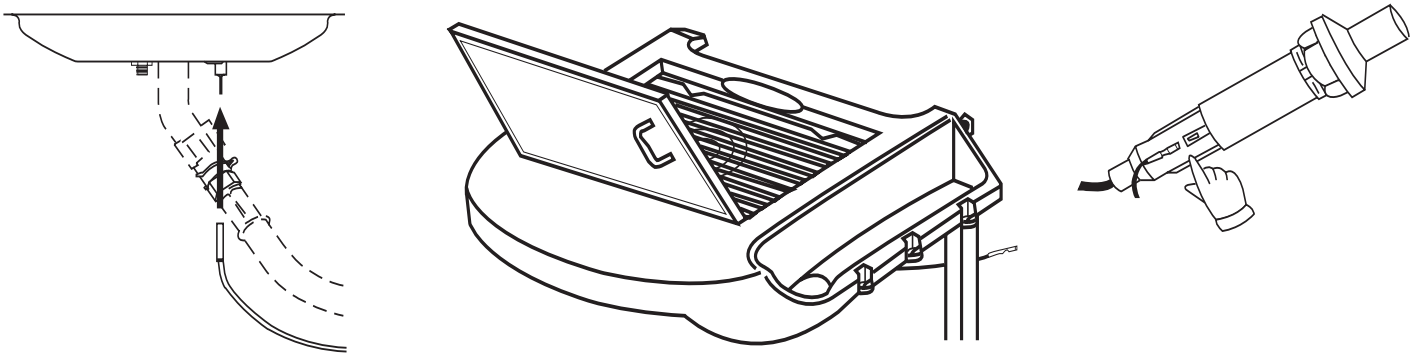
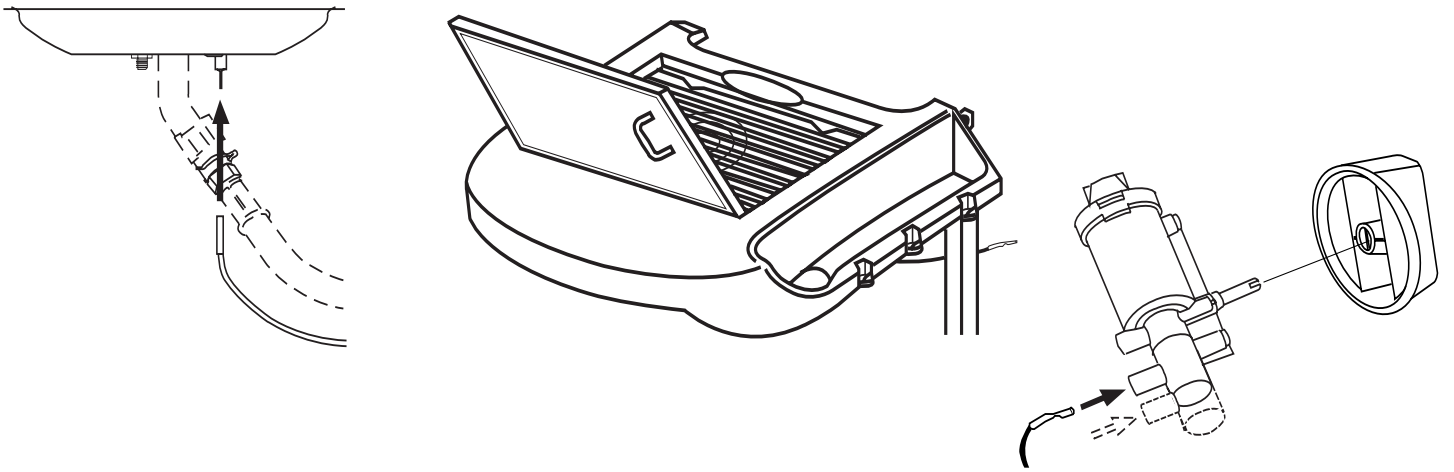
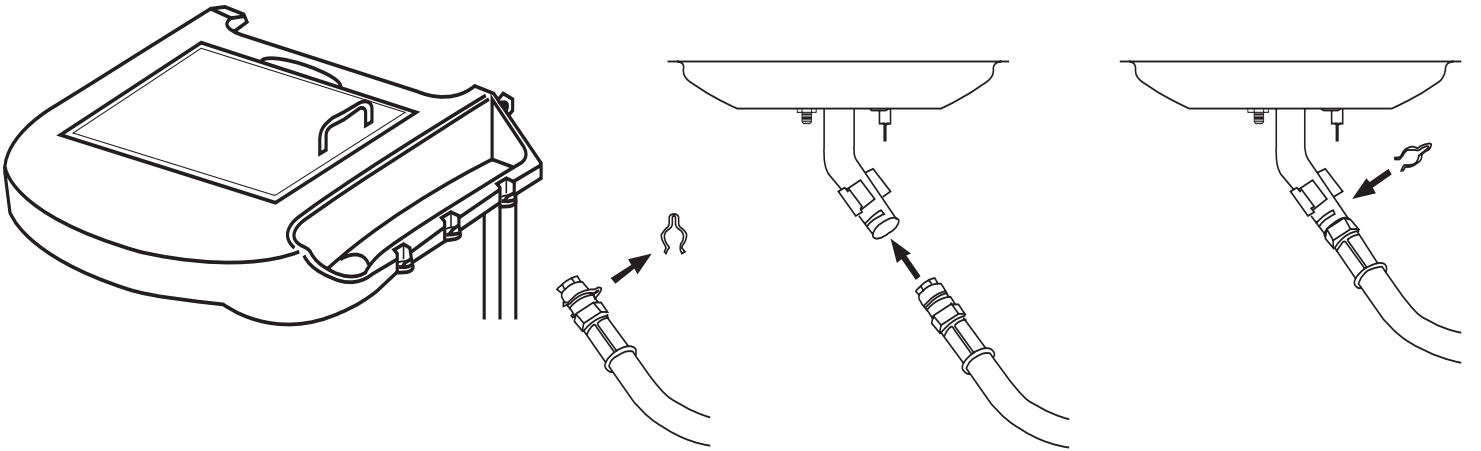
7

(2)

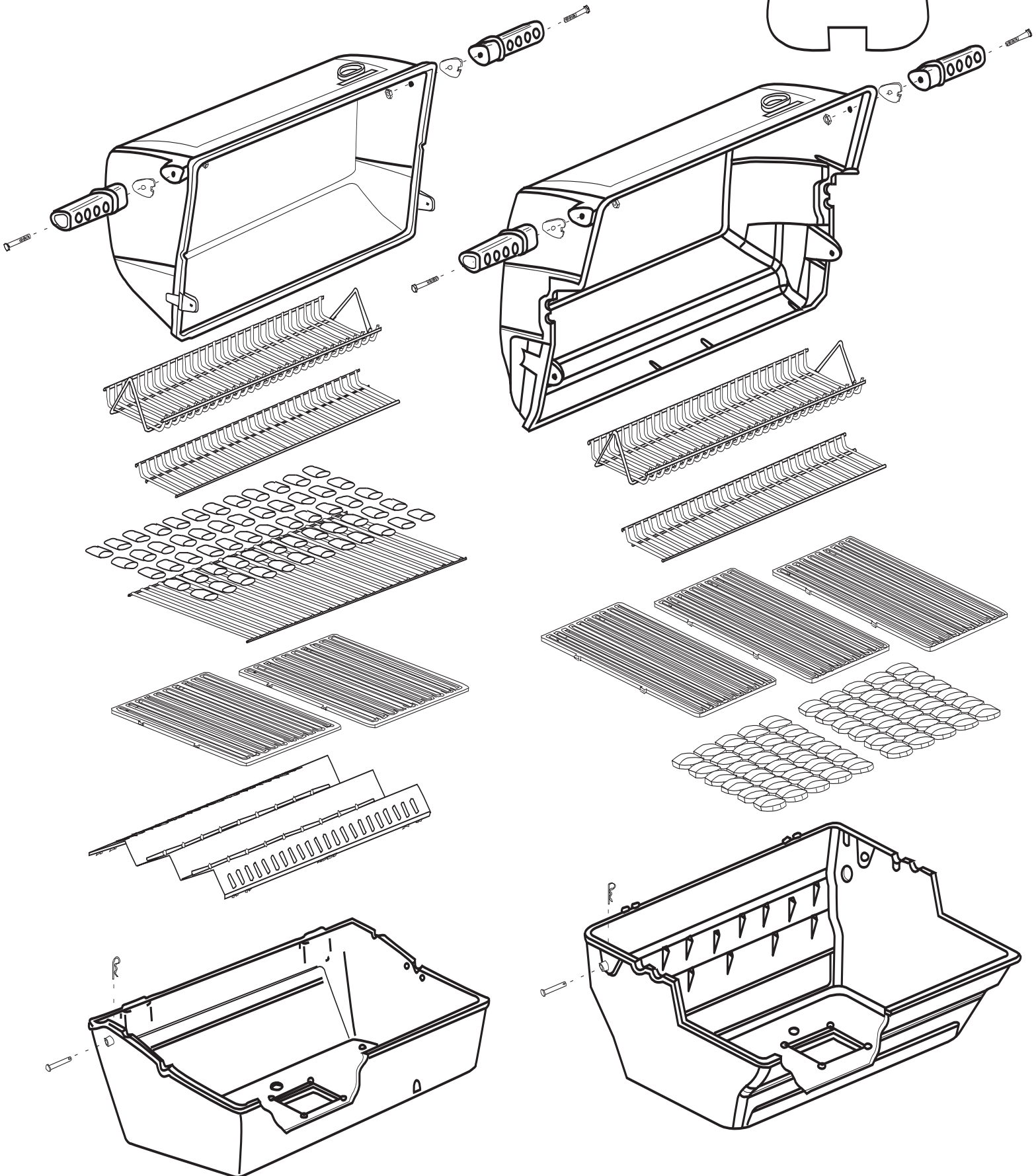
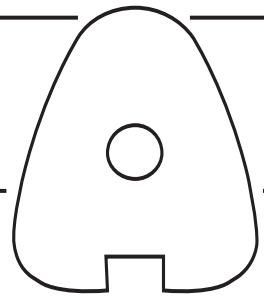


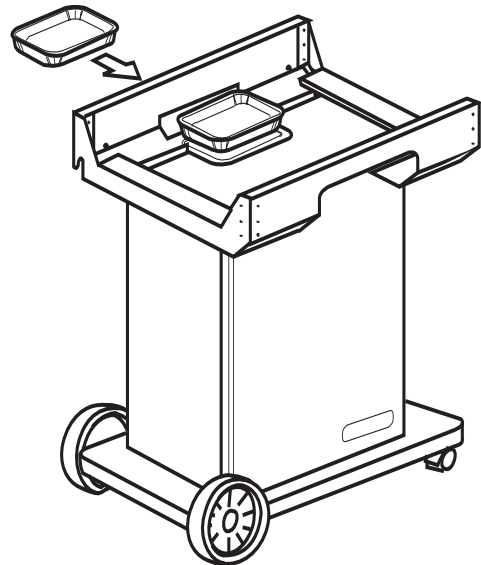
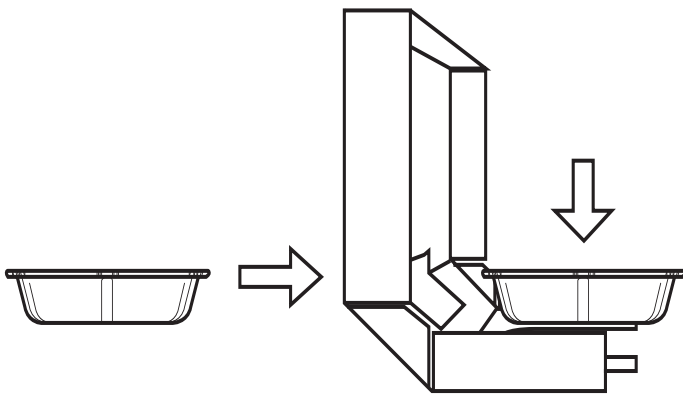
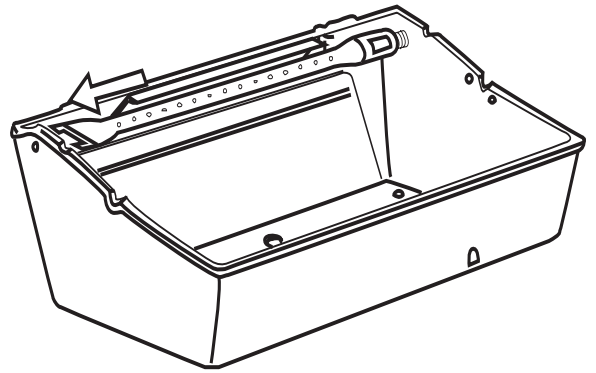
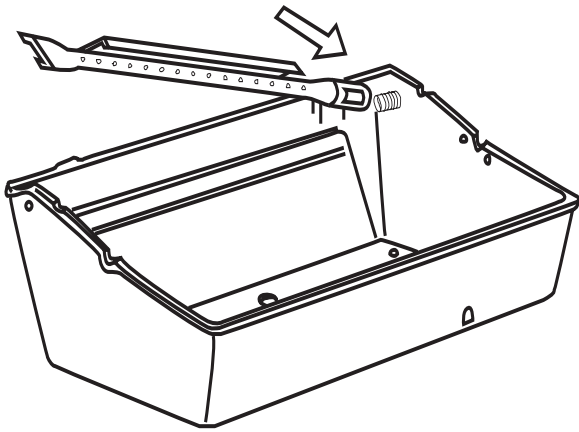
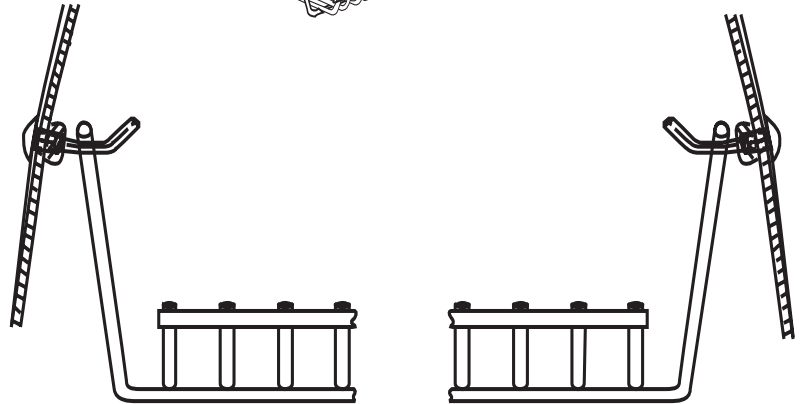
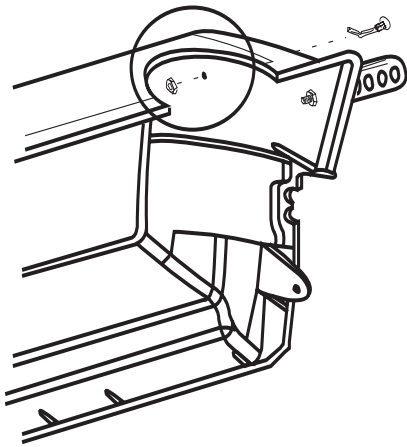
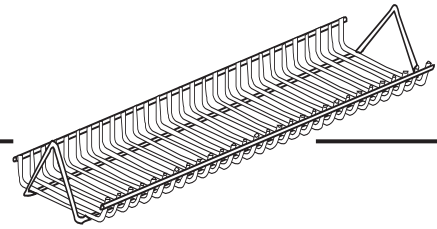
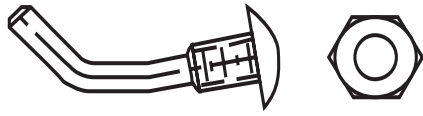
(2)





8





PARTS LIST/LISTE DES PIECES

| KEY # | ITEM # | DESCRIPTION | DESCRIPTION | 958-74 | 958-94 | 969-24 | 969-44 | 969-74 | 969-94 | 5818-4 | 5848-4 |
|-------|-------------|----------------------------|---------------------------------|--------|--------|--------|--------|--------|--------|--------|--------|
| | | | | 958-77 | 958-97 | 969-27 | 969-47 | 969-77 | 969-97 | 5818-7 | 5848-7 |
| 1. | 10909-T45 | CASTING BOTTOM | FOND DU FOYER | 1 | 1 | . | . | . | . | . | . |
| | 10909-T50 | CASTING BOTTOM | FOND DU FOYER | . | . | . | . | . | . | 1 | 1 |
| | 10909-T60 | CASTING BOTTOM | FOND DU FOYER | . | . | 1 | 1 | 1 | 1 | . | . |
| 2. | 10473-T45 | CASTING TOP | COUVERCLE DU GRIL | 1 | 1 | . | . | . | . | . | . |
| | 10473-T50 | CASTING TOP | COUVERCLE DU GRIL | . | . | . | . | . | . | 1 | 1 |
| | 10473-T60 | CASTING TOP | COUVERCLE DU GRIL | . | . | 1 | 1 | 1 | 1 | . | . |
| 3. | 10081-BK603 | NAMEPLATE | PLAQUE D'IDENTIFICATION | 1 | 1 | 1 | 1 | 1 | 1 | 1 | 1 |
| 3A. | 10081-BK601 | NAMEPLATE | PLAQUE D'IDENTIFICATION | 1 | 1 | 1 | 1 | 1 | 1 | 1 | 1 |
| 4. | 10958-K70 | TOP CASTING INSERT | PANNEAU DE COUVERCLE | 1 | 1 | 1 | 1 | 1 | 1 | 1 | 1 |
| 5. | 10571-6 | HEAT INDICATOR | INDICATEUR DE CHALEUR | 1 | 1 | 1 | 1 | 1 | 1 | 1 | 1 |
| 6. | 10240-15 | HINGE PIN | ATTACHE DE CHEVILLE | 2 | 2 | 2 | 2 | 2 | 2 | 2 | 2 |
| 6A. | S21237 | HINGE PIN SPACER | ESPACEUR DE CHEVILLE CHARNIERES | 2 | 2 | 2 | 2 | 2 | 2 | 2 | 2 |
| 7. | S21233 | HITCH PIN CLIP | ATTACHE DE CHEVILLE | 2 | 2 | 2 | 2 | 2 | 2 | 2 | 2 |
| 9. | 10225-T429 | GRID - PORCELAIN | GRILLE | 2 | 2 | . | . | . | . | . | . |
| | 10225-T536 | GRID - PORCELAIN | GRILLE | . | . | . | . | . | . | 3 | 3 |
| | 10225-T626 | GRID - PORCELAIN | GRILLE | . | . | 3 | 3 | 3 | 3 | . | . |
| 10. | 10222-T425 | FLAV-R-WAVE SS | FLAV-R-WAVE SS | 1 | 1 | . | . | . | . | 1 | 1 |
| | 10222-T626 | FLAV-R-CAST | FLAV-R-CAST | . | . | 2 | 2 | 2 | 2 | . | . |
| 11. | 10225-T451 | GRID - WARMING RACK | GRILLE | 1 | 1 | . | . | . | . | . | . |
| | 10225-T528 | GRID - WARMING RACK | GRILLE | . | . | . | . | . | . | 1 | 1 |
| | 10225-T628 | GRID - WARMING RACK | GRILLE | . | . | 1 | 1 | 1 | 1 | . | . |
| 12. | 10225-T627 | SWING BASKET | PANIER À BALANCOIR | . | . | 1 | 1 | 1 | 1 | 1 | 1 |
| 13. | Y-11797 | BOLT SWING BASKET | BOULON POUR PANIER A BALANCOIR | . | . | 2 | 2 | 2 | 2 | 2 | 2 |
| 15. | 10390-T501 | BURNER/VENTURI ASSY | ENSEMBLE DE BRULEUR | 1 | 1 | 1 | 1 | 1 | 1 | . | . |
| | S10017 | BURNER/VENTURI ASSY | ENSEMBLE DE BRULEUR | . | . | . | . | . | . | 1 | 1 |
| 17. | 10342-242 | ROTARY IGNITOR | ALLUMEUR ROTATIF | 1 | . | 1 | . | 1 | . | 1 | . |
| | 10342-243 | ROTARY IGNITOR | ALLUMEUR ROTATIF | . | 1 | . | 1 | . | 1 | . | 1 |
| | 10472-K40 | ROTARY IGNITOR KNOB | BOUTON ROTATOIRE D'IGNITOR | 1 | 1 | 1 | 1 | 1 | 1 | 1 | 1 |
| 18. | 10342-T301 | ELECTRODE | ELECTRODE | 2 | 2 | 2 | 2 | 2 | 2 | . | . |
| | S15500 | ELECTRODE | ELECTRODE | . | . | . | . | . | . | 2 | 2 |
| 21. | 10440-R70 | CONTROL ASSY LP-3V | SOUPAPE, (GAZ PROPANE) | 1 | . | . | . | . | . | . | . |
| | 10440-R71 | CONTROL ASSY NG-3V | SOUPAPE, (GAZ NATUREL) | 1 | . | . | . | . | . | . | . |
| | 10442-R58 | CONTROL ASSY LP-4V | SOUPAPE, (GAZ PROPANE) | . | 1 | . | . | . | . | . | . |
| | 10442-R59 | CONTROL ASSY NG-4V | SOUPAPE, (GAZ NATUREL) | . | 1 | . | . | . | . | . | . |
| | 10440-D60 | CONTROL ASSY LP-2V | SOUPAPE, (GAZ PROPANE) | . | . | 1 | . | . | . | . | . |
| | 10440-D61 | CONTROL ASSY NG-2V | SOUPAPE, (GAZ NATUREL) | . | . | 1 | . | . | . | . | . |
| | 10442-D62 | CONTROL ASSY LP-3V | SOUPAPE, (GAZ PROPANE) | . | . | . | 1 | . | . | . | . |
| | 10442-D63 | CONTROL ASSY NG-3V | SOUPAPE, (GAZ NATUREL) | . | . | . | 1 | . | . | . | . |
| | 10440-R64 | CONTROL ASSY LP-3V | SOUPAPE, (GAZ PROPANE) | . | . | . | . | 1 | . | . | . |
| | 10440-R65 | CONTROL ASSY NG-3V | SOUPAPE, (GAZ NATUREL) | . | . | . | . | 1 | . | . | . |
| | 10442-R66 | CONTROL ASSY LP-4V | SOUPAPE, (GAZ PROPANE) | . | . | . | . | . | 1 | . | . |
| | 10442-R67 | CONTROL ASSY NG-4V | SOUPAPE, (GAZ NATUREL) | . | . | . | . | . | 1 | . | . |
| | 10440-D80 | CONTROL ASSY LP-2V | SOUPAPE, (GAZ PROPANE) | . | . | . | . | . | . | 1 | . |
| | 10440-D81 | CONTROL ASSY NG-2V | SOUPAPE, (GAZ NATUREL) | . | . | . | . | . | . | 1 | . |
| | 10442-R86 | CONTROL ASSY LP-4V | SOUPAPE, (GAZ PROPANE) | . | . | . | . | . | . | . | 1 |
| | 10442-R87 | CONTROL ASSY NG-4V | SOUPAPE, (GAZ NATUREL) | . | . | . | . | . | . | . | 1 |
| 21A. | S13467-091 | HOSE-SIDE BURNER LP | TUYAU DU BRULEUR LATERAL PL | . | 1 | . | 1 | . | 1 | . | 1 |
| | S13467-132 | HOSE-SIDE BURNER NG | TUYAU DU BRULEUR LATERAL GN | . | 1 | . | 1 | . | 1 | . | 1 |
| | Y-11230 | COTTER PIN | ATTACHE DE CHEVILLE | . | 1 | . | 1 | . | 1 | . | 1 |
| 21B. | 10110-91 | TUBE-REAR BURNER ASSY | TUBE DE BRULEUR ARRIERE | 1 | 1 | . | . | 1 | 1 | . | 1 |
| 22. | 10114-17 | HOSE & REGULATOR LP - QCC1 | TUYAU ET REGULATEUR PL - QCC1 | 1 | 1 | 1 | 1 | 1 | 1 | 1 | 1 |
| | 10111-K47 | HOSE NATURAL GAS | TUYAU (GAZ NATUREL) | 1 | 1 | 1 | 1 | 1 | 1 | 1 | 1 |
| 23. | 10472-K37 | CONTROL KNOB | BOUTON DE CONTROLE | 3 | 4 | 2 | 3 | 3 | 4 | 2 | 4 |
| 30. | 10086-D561 | DECO PLATE-3V | PLAQUE DECORATIVE | 1 | . | . | . | . | . | . | . |
| | 10086-D571 | DECO PLATE-4V | PLAQUE DECORATIVE | . | 1 | . | . | . | . | . | . |
| | 10086-R541 | DECO PLATE-2V | PLAQUE DECORATIVE | . | . | . | . | . | . | 1 | . |
| | 10086-R571 | DECO PLATE-4V | PLAQUE DECORATIVE | . | . | . | . | . | . | . | 1 |
| 30A. | 10086-D54 | DECO PLATE-REGAL | PLAQUE DECORATIVE | 1 | 1 | . | . | . | . | . | . |
| | 10086-R63 | DECO PLATE -SIGNET | PLAQUE DECORATIVE | . | . | . | . | . | . | 1 | 1 |
| | 10081-BK613 | NAMEPLATE | PLAQUE D'IDENTIFICATION | . | . | 1 | 1 | 1 | 1 | . | . |

