

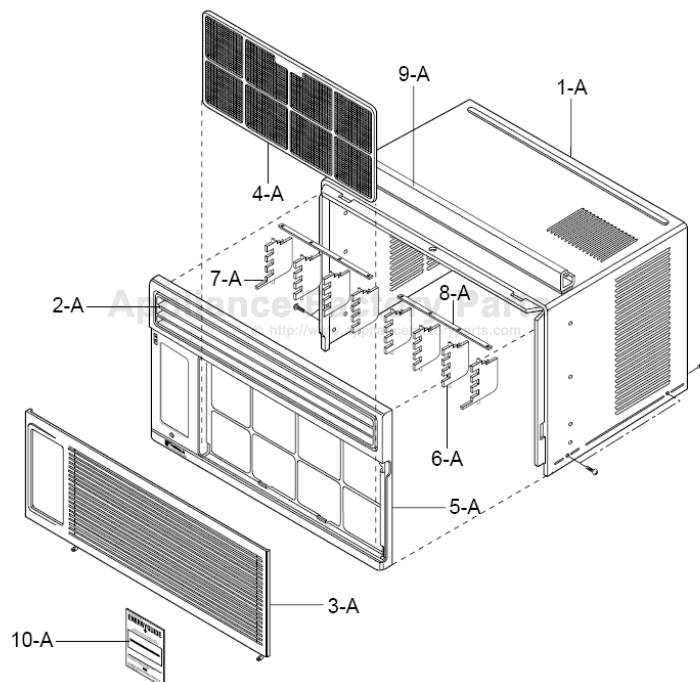
This Owner's Manual is provided and hosted by [Appliance Factory Parts](http://www.ApplianceFactoryParts.com).



Kenmore 580.72059200 Owner's Manual

[Shop genuine replacement parts for Kenmore
580.72059200](#)

CABINET & FRONT GRILLE ASSEMBLY



[Find Your Kenmore Air Conditioner Parts - Select From 261 Models](#)

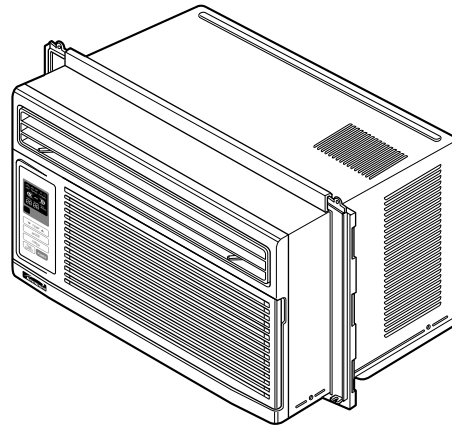
----- Manual continues below -----

SEARS

Kenmore[®]
ROOM AIR CONDITIONER

REPAIR PARTS LIST

Model No.
580.72059200



The model number of your Air Conditioner can be found on the right side of the cabinet.

All repair parts listed are available for immediate purchase or special order when you visit your nearest Sears Service Center, or the Service Department at most Sears stores. To order parts by phone, call the toll free parts number listed to the left.

When requesting service or ordering parts, always provide the following information:

- ◆ Product Type
- ◆ Part Number
- ◆ Model Number
- ◆ Part Description

To Call
Toll Free
For Parts:

1-800-366-PART
(1-800-366-7278)

For Service:

1-800-4-MY-HOME
(1-800-469-4663)

Sears, Roebuck and Co., Hoffman Estates, IL 60179 U.S.A.

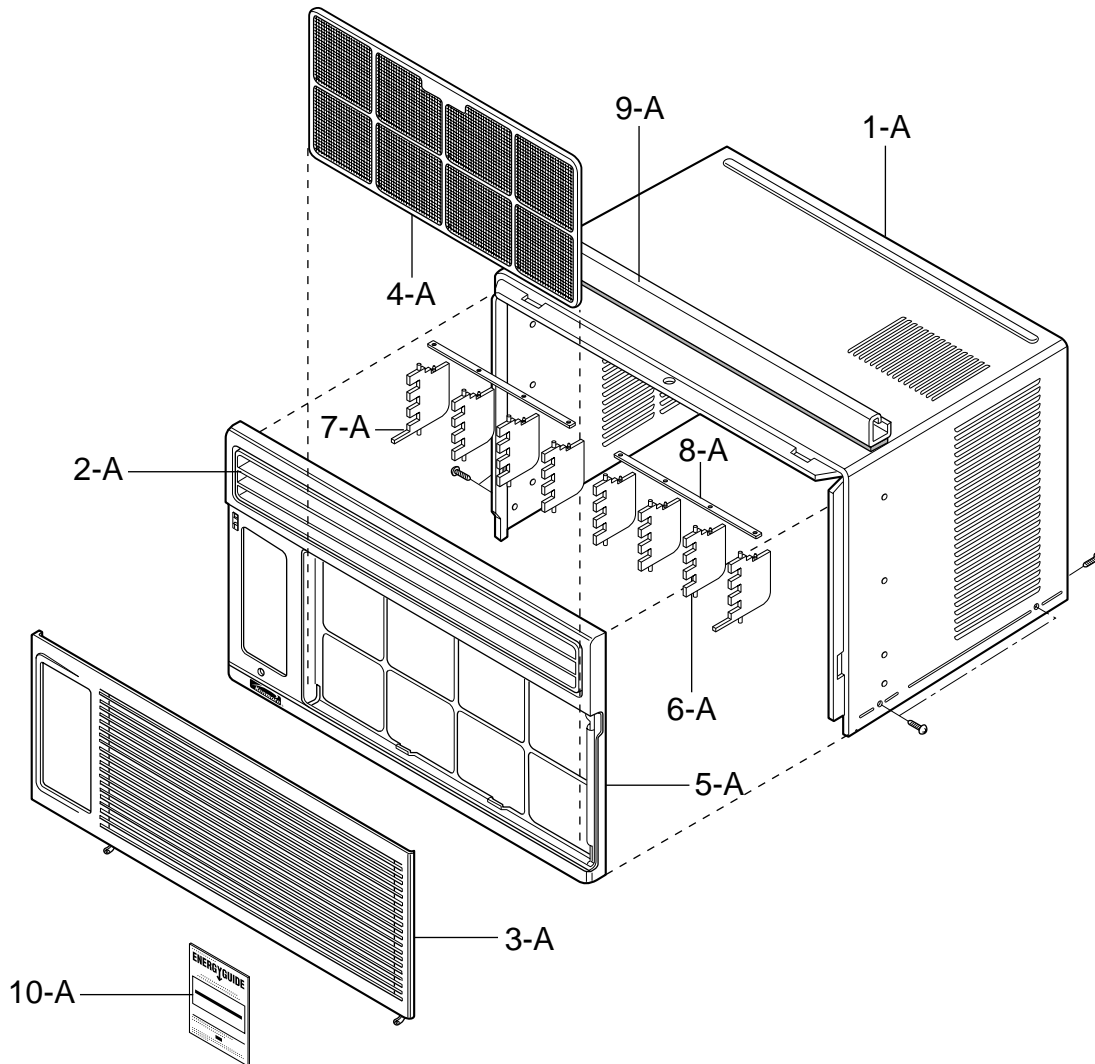
REPAIR PARTS

Room Air Conditioner
Model No. 580. 72059200

To order Parts call Toll Free
1-800-4-MY-HOME®(1-800-469-4663)

CAUTION: Use the Kenmore part number on all orders, **not** the illustration number.

CABINET & FRONT GRILLE ASSEMBLY



CAUTION: Use the Kenmore part number on all orders, not the illustration number.

CABINET & FRONT GRILLE ASSEMBLY

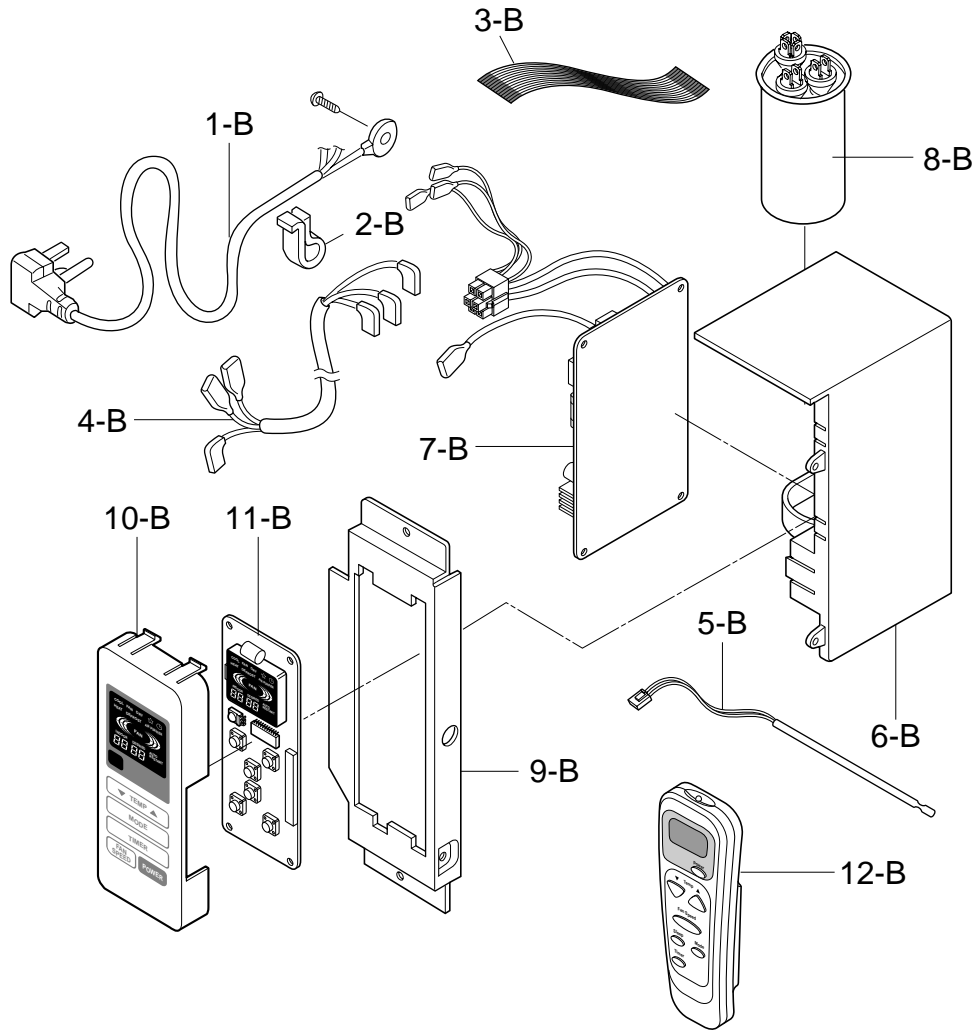
ILLUSTRATION NUMBER	PART NUMBER	DESCRIPTION
1 - A	3091A10020D	CABINET ASSEMBLY
2 - A	5990A20001A	LOUVER, HORIZONTAL
3 - A	3530A10010A	GRILLE, INLET
4 - A	5231AR2148G	AIR FILTER ASSEMBLY
5 - A	3530A10009A	GRILLE, FRONT
6 - A	5990A30005D	VANE
7 - A	5990A30005C	VANE
8 - A	4520AR3191A	LINK HOLDER
9 - A	5210AR3196C	UPPER GUIDE
10 - A	3850A20423L	ENERGY GUIDE LABEL
*	3828A20291C	OWNER'S MANUAL
*	3828A20295C	SERVICE MANUAL

= Functional Parts

* = Non-Illustrated Parts

CAUTION: Use the Kenmore part number on all orders, **not** the illustration number.

CONTROL BOX ASSEMBLY



CAUTION: Use the Kenmore part number on all orders, **not** the illustration number.

CONTROL BOX ASSEMBLY

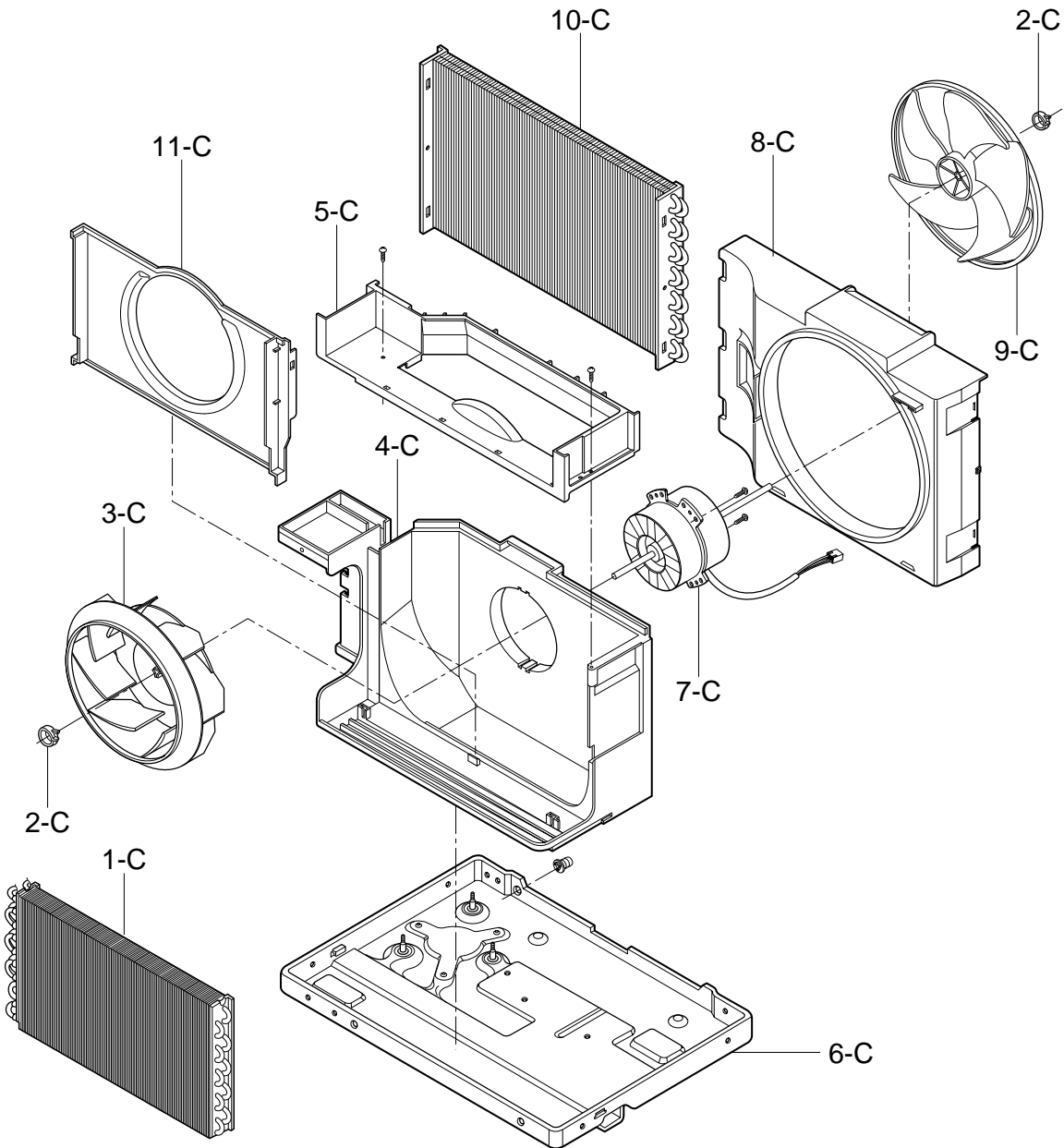
ILLUSTRATION NUMBER	PART NUMBER	DESCRIPTION
1 - B #	2H00677P	POWER CORD ASSEMBLY
2 - B	4H01254A	CLIP
3 - B	6850A90001J	LEAD WIRE ASSEMBLY
4 - B	6631AR3843R	CONDUCTOR ASSEMBLY
5 - B	6323A20003D	THERMISTOR ASSEMBLY
6 - B	4994A20021A	CONTROL BOX, SINGLE
7 - B	6871A20243A	PWB(PCB) ASSEMBLY, MAIN
8 - B #	6120AR2359V	CAPACITOR, SH
9 - B	4994A20020A	CONTROL BOX, SINGLE
10 - B	3720A20174A	PANEL, CONTROL
11 - B	6871A20244A	PWB ASSEMBLY, DISPLAY
12 - B	6711A20053C	REMOTE CONTROLLER ASSEMBLY

= Functional Parts

* = Non-Illustrated Parts

CAUTION: Use the Kenmore part number on all orders, **not** the illustration number.

AIR HANDLING & CYCLE PARTS



CAUTION: Use the Kenmore part number on all orders, **not** the illustration number.

AIR HANDLING & CYCLE PARTS

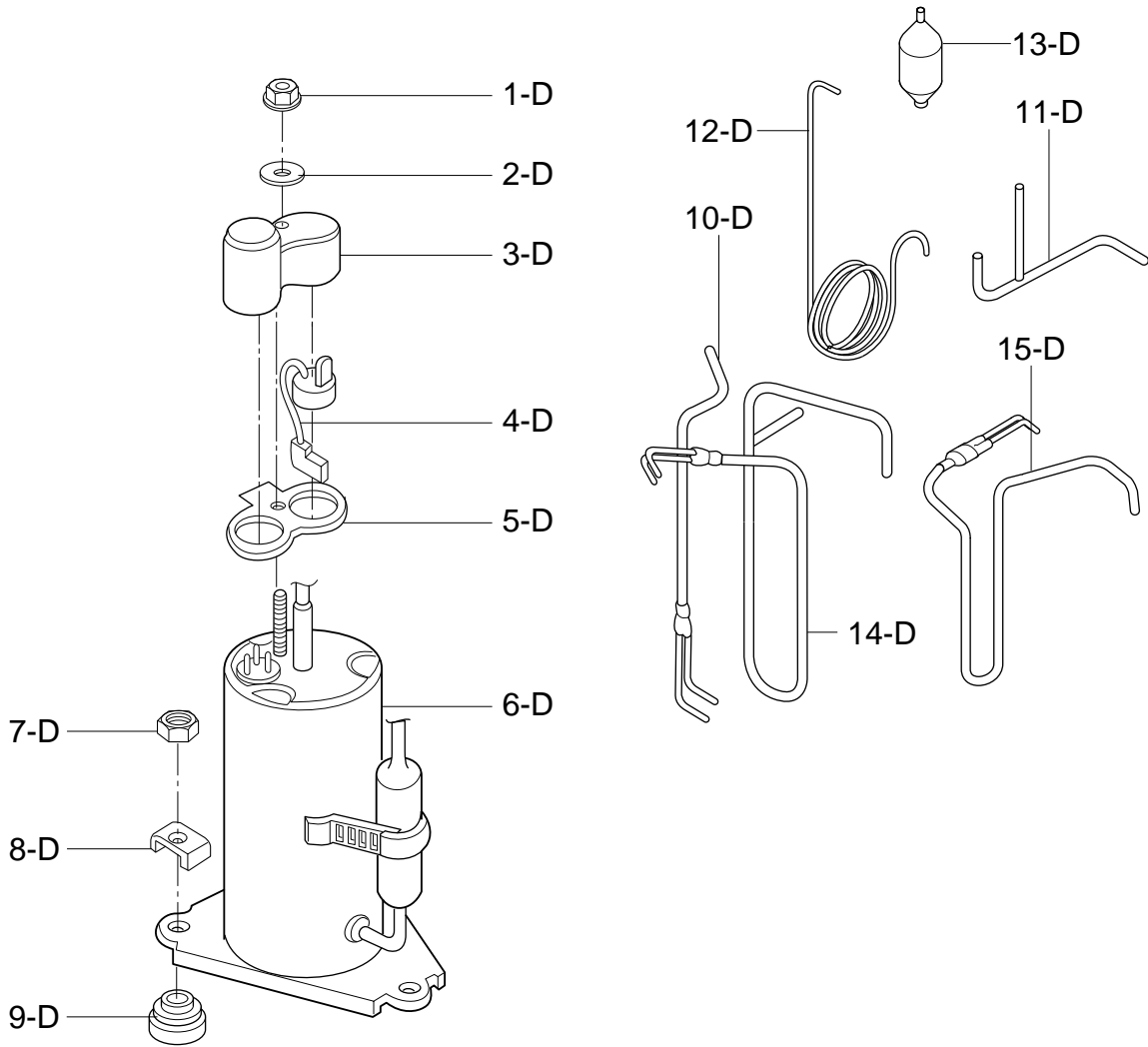
ILLUSTRATION NUMBER	PART NUMBER	DESCRIPTION
1 - C #	5421A20016H	EVAPORATOR ASSEMBLY
2 - C	3H02932B	CLAMP, SPRING
3 - C #	5900A10005A	FAN, TURBO
4 - C	5238A20003A	AIR GUIDE, LOWER
5 - C	5239A10005B	AIR GUIDE, UPPER
6 - C	3041A10011E	BASE ASSEMBLY, SINGLE
7 - C #	4681A10012M	MOTOR ASSEMBLY, SINGLE
8 - C	4998A10008A	SHROUD
9 - C #	5900A20017A	FAN, PROPELLER
10 - C #	5403A20009F	CONDENSER ASSEMBLY
11 - C	4948A10007A	ORIFICE

= Functional Parts

* = Non-Illustrated Parts

CAUTION: Use the Kenmore part number on all orders, **not** the illustration number.

COMPRESSOR PARTS



CAUTION: Use the Kenmore part number on all orders, **not** the illustration number.

COMPRESSOR PARTS

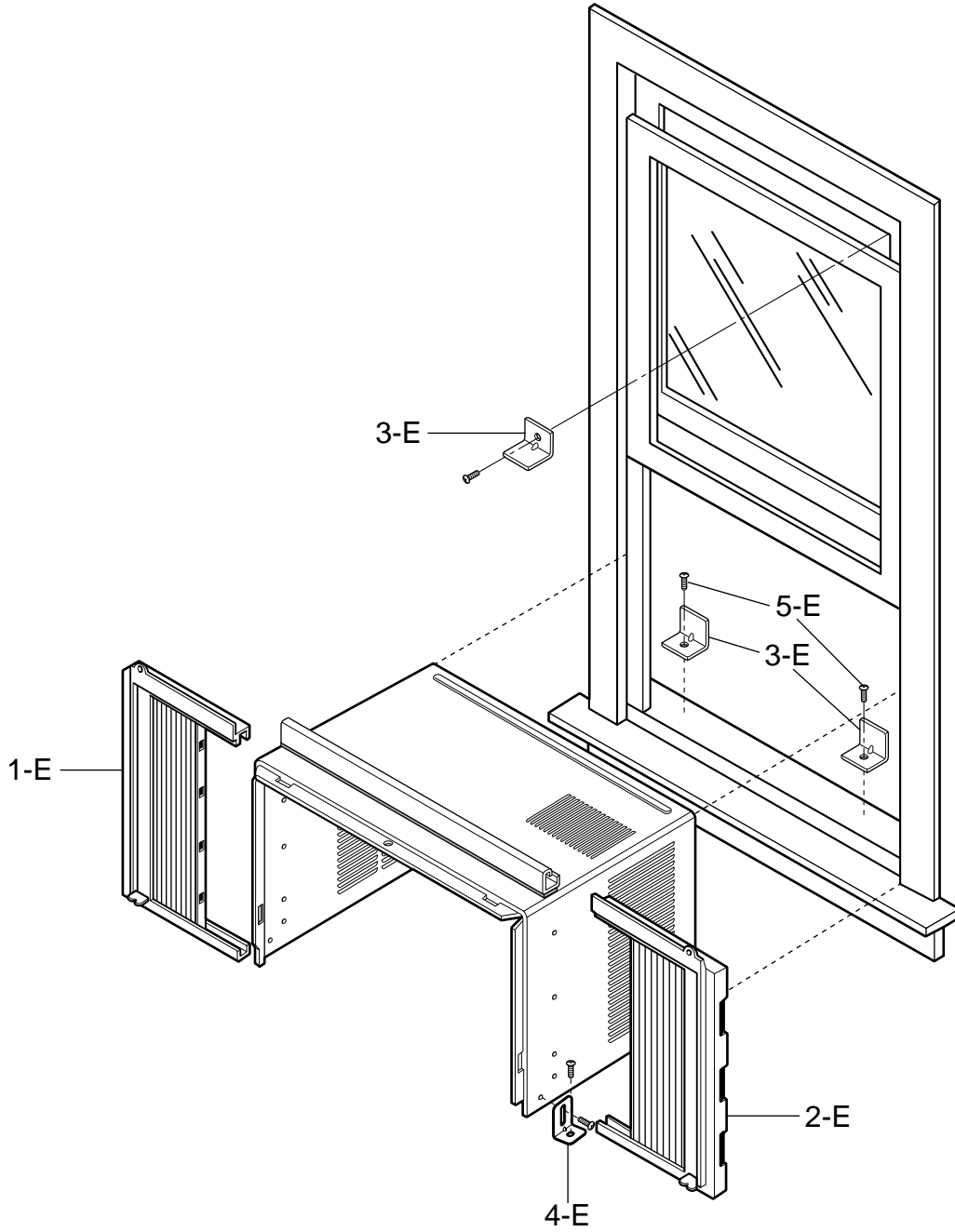
ILLUSTRATION NUMBER	PART NUMBER	DESCRIPTION
1 - D	4H00947A	NUT, TERMINAL COVER
2 - D	4H01058A	GASKET NUT
3 - D	3550U-L006A	COVER
4 - D #	6750U-L050A	OVERLOAD PROTECTOR
5 - D	4986U-L001G	GASKET
6 - D #	2520UABC2JA	COMPRESSOR
7 - D	1NHA0801206	HEXAGON NUTS
8 - D	4810AR4155B	BRACKET, WASHER
9 - D	5040AR4195A	RUBBER, MOUNTING
10 - D	5211A10063C	TUBE ASSEMBLY, EVAPORATOR
11 - D	5211AR3399M	TUBE ASSEMBLY, CONDENSOR
12 - D	5210A30018P	TUBE CAPILLARY, BEND
13 - D	5851A30001L	DRIER ASSEMBLY
14 - D	5211A10062D	TUBE ASSEMBLY, SUCTION
15 - D	5211A10129A	TUBE ASSEMBLY, DISCHARGE

= Functional Parts

* = Non-Illustrated Parts

CAUTION: Use the Kenmore part number on all orders, **not** the illustration number.

INSTALLATION KIT ASSEMBLY



CAUTION: Use the Kenmore part number on all orders, **not** the illustration number.

INSTALLATION KIT ASSEMBLY

ILLUSTRATION NUMBER	PART NUMBER	DESCRIPTION
1 - E	3211AR3239B	GUIDE PANEL, LEFT
2 - E	3211AR3239A	GUIDE PANEL, RIGHT
3 - E	4810A30113A	L BRACKET
4 - E	4810A30152A	SUPPORT BRACKET
5 - E	1TTG0402618	SHORT SCREW

= Functional Parts

* = Non-Illustrated Parts

Get it fixed, at your home or ours!

Your Home

For repair – **in your home** – of **all** major brand appliances, lawn and garden equipment, or heating and cooling systems, **no matter who made it, no matter who sold it!**

For the replacement parts, accessories and owner's manuals that you need to do-it-yourself.

For Sears professional installation of home appliances and items like garage door openers and water heaters.

1-800-4-MY-HOME® (1-800-469-4663)

Call anytime, day or night (U.S.A. and Canada)

www.sears.com www.sears.ca

Our Home

For repair of carry-in items like vacuums, lawn equipment, and electronics, call or go on-line for the location of your nearest **Sears Parts & Repair Center.**

1-800-488-1222

Call anytime, day or night (U.S.A. only)

www.sears.com

To purchase a protection agreement on a product serviced by Sears:

1-800-827-6655 (U.S.A.)

1-800-361-6665 (Canada)

Para pedir servicio de reparación a domicilio, y para ordenar piezas:

1-888-SU-HOGARSM

(1-888-784-6427)

Au Canada pour service en français:

1-800-LE-FOYER^{MC}

(1-800-533-6937)

www.sears.ca

SEARS