

This Owner's Manual is provided and hosted by [Appliance Factory Parts](#).



FEDDERS a6x08f2b Owner's Manual

[Shop genuine replacement parts for FEDDERS
a6x08f2b](#)



[Find Your FEDDERS Air Conditioner Parts - Select From 1517 Models](#)

----- Manual continues below -----

FEDDERS®

Room Air Conditioners for Double-Hung Windows

Acondicionadores de aire ambientales para ventanas de guillotina

Climatiseur d'air individuel pour fenêtres à guillotine

ENGLISH

Important Safety Instructions	1
Installation.....	2
Operation	4
Maintenance	5
Warranty.....	7

ESPAÑOL

Instrucciones importantes de seguridad	8
Instalación	9
Funcionamiento	11
Mantenimiento	12
Garantía.....	14

FRANÇAIS

Directives de sécurité importantes	15
Installation.....	16
Utilisation	18
Maintenance	19
Garantie.....	21

For Future Reference

Write down the model and serial numbers
The model and serial numbers can be found on the side of the cabinet near the control panel. Use these numbers in any correspondence or service calls concerning your air conditioner.

Para referencia futura

Escriba el número de modelo y de serie
El número de modelo y de serie se encuentran en el costado del gabinete cerca del panel de control. Use estos números en toda la correspondencia o llamadas de servicio relacionadas con su acondicionador de aire.

Pour consultation ultérieure

Inscrivez les numéros de modèle et de série
Noter ci-contre les numéros de modèle et de série (on les trouve sur le côté de la grille décorative avant, près du tableau de commande). Communiquer ces numéros lors de toute correspondance ou appel au service après-vente ayant trait au climatiseur.

Model No., No. de Modelo, N° de modèle

Serial No., No. de Serie, N° de série

Date of Purchase, Fecha de Compra, Date d'achat

For additional questions please call

1-217-347-6459

or e-mail: customerservice@fedders.com

Para mayor información por favor llame al

1-217-347-6459

o envíe correo electrónico a:
customerservice@fedders.com

Pour d'autres questions :

1.217.347.6459

ou courriel : customerservice@fedders.com

Room Air Conditioner

Power Cord with Arc Detection Device

The power cord supplied with this air conditioner is equipped with an Arc Detection Device designed to shut off power to the unit when it senses an arc fault condition. An arc fault is an unintentional electrical discharge that occurs when electrical products or wires are damaged, aged, or improperly used. An arc fault can be potentially hazardous if left undetected.



WARNING



- Do not remove or modify this plug
- Do not use as an on/off switch
- Do not use outdoors
- Do not push furniture against or place furniture on the electrical cord. This can trip the test switch and/or damage the cord and become a potential condition for arcing
- Do not attempt to repair the cord. If the cord requires replacement, call an authorized servicer.
- The Arc Detection Device is not a Ground Fault Interrupter and should not be used as such
- The Arc Detection Device contains an electronic circuit board and should not be submerged or exposed to water spray

Resetting

If the Arc Detection Device has tripped, the reset button will pop up.

Follow these steps to reset the Arc Detection Device:

1. Unplug unit from electrical outlet
2. Press the reset button
3. Plug the unit back into electrical outlet
4. Check to see if power has returned to the unit

Testing

You should test the Arc Detection Device equipped power cord monthly, after every major electrical storm, or if power to your Room Air Conditioner has been interrupted.

Follow these steps to test the Arc Detection Device:

1. Unplug unit from electrical outlet
2. Press the reset button
3. Plug the unit back into electrical outlet
4. Press test button.
Unit should trip and reset button will pop up.
5. Press reset button again for use
If above test fails, stop using the air conditioner and contact customer service by calling the following toll-free number:
1-800-332-6658
or email: customerservice@fedders.com



WARNING



Do not operate this air conditioner without proper time delay circuit protection (circuit breaker or fuse). Refer to serial plate for proper power supply requirements.

Recommended Wire Sizes (As installed per building code) :

PROTECTOR SIZE WIRE GAUGE

15 AMP #14 MINIMUM
20 AMP #12 MINIMUM
30 AMP #10 MINIMUM



125V
15A



250V
20A



250V
15A



250V
30A



WARNING



Electrical Shock Hazard



- Plug unit only into a grounded electrical outlet.
- Do not use an extension cord or plug adapter with this unit.
- Do not operate unit with decorative front or filter removed.
- Failure to follow these precautions could result in electrical shock, fire or personal injury.
- If the air conditioner has a serial plate rating of 115 volts and greater than 7.5 amps, it must have its own fuse or circuit breaker, and no other device or unit should be operated on that fuse or circuit breaker.
- If the air conditioner has a serial plate rating of 230 volts, it must have its own fuse or circuit breaker, and no other device or unit should be operated on that fuse or circuit breaker.
- We recommend that a qualified electrician install unit in accordance with the National Electrical Code and local codes and ordinances.
- Use copper conductors of correct wire gauge and protector size only.
- Do not alter cord or plug end. Do not remove warning label on cord.

Important Grounding Requirements

- Air conditioner has a three-prong grounding plug on the power supply cord, which must be plugged into a properly grounded three-prong wall receptacle for your protection against possible shock hazard. For models up to and including 7.5 amperes, use a grounding type wall receptacle to match the cord plug.
- For models above 7.5 amperes use a single outlet grounding type wall receptacle to match the cord plug.

Room Air Conditioner



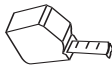
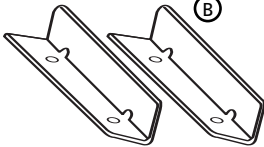

Additional Safety Precautions

- **Do not** cut, alter or remove any of the expanded polystyrene (styrofoam) inside this air conditioner.
- **Do not** store or use gasoline or other flammable vapors and liquids in the vicinity of this or any other appliance. The fumes can create a fire hazard or explosion.
- **Do not** introduce objects in the air discharge area. This could cause permanent damage.
- **Do not** pour liquids on the air conditioner as this could cause a malfunction. With the unit unplugged, use a damp cloth for cleaning the unit.
- **Do not** use strong solvents to clean the air conditioner.
- Clean the air conditioner filter every two weeks to avoid overheating caused by air obstruction. Do not operate without filter.
- **Do not** obstruct the air intake area of your air conditioner, as this could cause overheating, thus activating the unit's security switch and shutting off the unit.
- **Do not** block air circulation to outside louvers of cabinet.
- **Do not** block air flow inside with blinds, curtains, or furniture, or outside with shrubs, enclosures, or other buildings.
- **Do not** run the air conditioner with an outside protective cover in place. This could result in fire or mechanical damage within the air conditioner.

Window Requirements

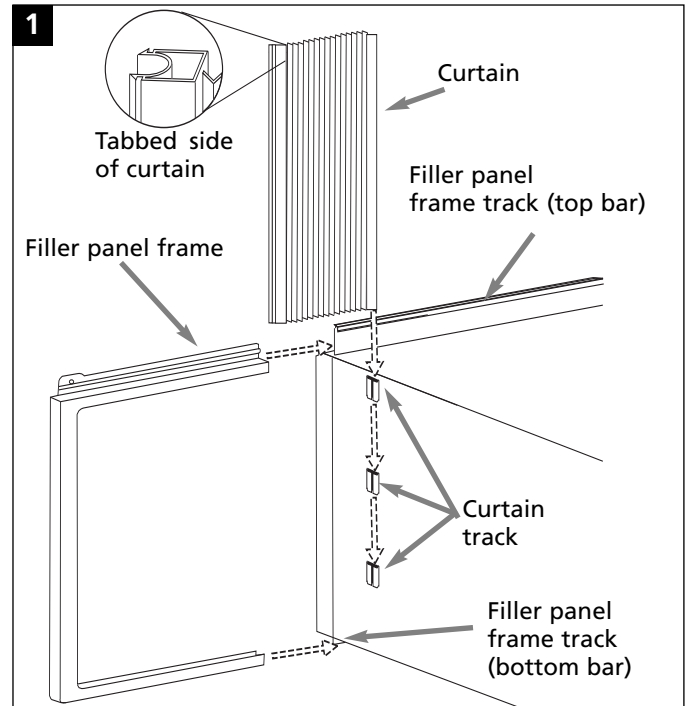
Air conditioner is factory prepared for installation in standard double hung windows (air conditioner cannot be installed in other types of windows). The air conditioner can be installed in windows 23" to 34" wide when filler panels are used. In windows 19" to 22" wide the air conditioner can be installed without the filler panels. All windows must open at least 12 3/4" vertically.

Install the air conditioner in a window where there will be enough clearance around the cabinet to allow ample circulation of air through unit. All supporting parts should be secured to firm wood, masonry, or metal.

Tools Needed	Installation Parts Kit
 Screwdrivers	 (A) 5/8" wood screws.....9
 Tape Measure	 (B) Brackets2
 Carpenter's Level	

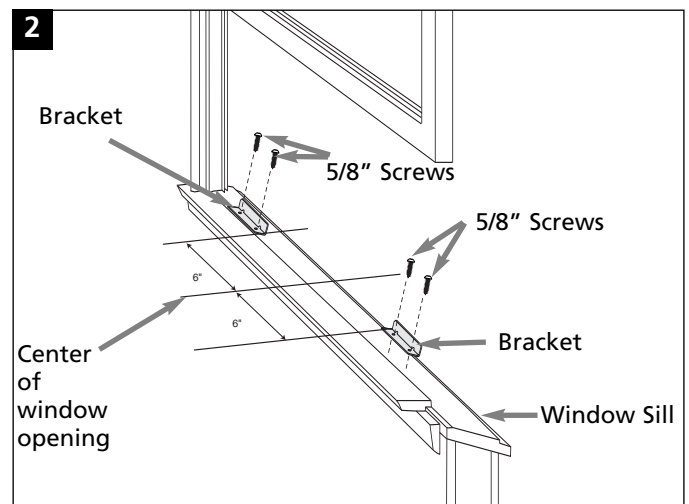
Filler Panel Installation

1. Place tabbed side of curtain in track on side of air conditioner cabinet, and slide down the track until the curtain is even top and bottom (Fig.1).
2. Slide the filler panel frame onto the air conditioner cabinet using the tracks on the top and bottom of the unit. Slide the frame as close to the air conditioner as possible so that the curtain locks into place. Gently pull the frame out until it is the correct length for your application.



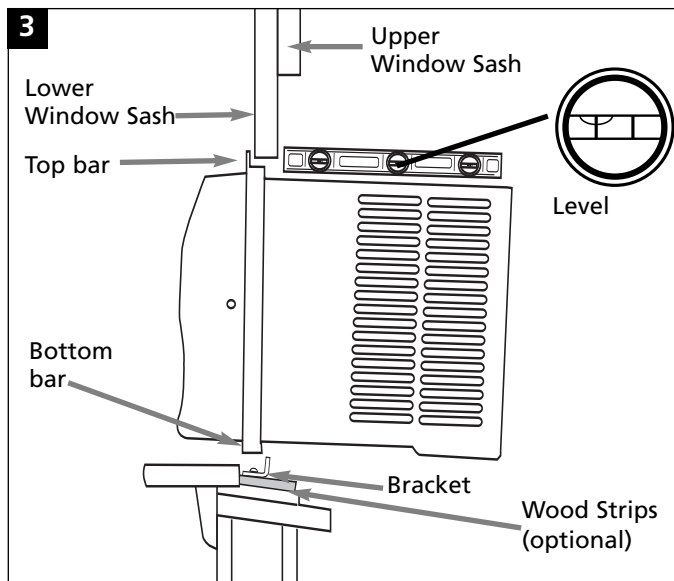
Installation in window 23" to 34" wide

1. Open and mark center line of window. Measure and mark 6" to the right of the center line and 6" to the left of the center line (Fig. 2).
2. Place bracket so that the inside edge rests on the appropriate 6" mark. Secure brackets with two (2) 1" long wood screws (Fig. 2).



Room Air Conditioner

3. To overcome storm window interference, securely attach 2" wide wood strips to the window stool and sill, with screws. Strips should be as long as window opening and flush with back side of stool. Thickness of strips should be controlled by amount of interference (Fig. 3).
4. Keeping a firm grip on air conditioner, carefully center air conditioner in window opening with the bottom bar between the window stool and the angle bracket. Air conditioner should slant slightly downward on the outside as shown by half a bubble off on a carpenter's level. This outward pitch prevents water from entering the room (Fig. 3).
5. Close the window until it touches behind air conditioner top bar. Slide filler panels outward until they touch window sash tracks. (Do not release grip on air conditioner until lower window sash is in final position) (Fig. 3).



6. Secure top of filler panels by driving 5/8" long wood screws into window sash through mounting holes in top slides.
7. Secure bottom of filler panels by driving 5/8" long screws into window sill through filler panel tabs.

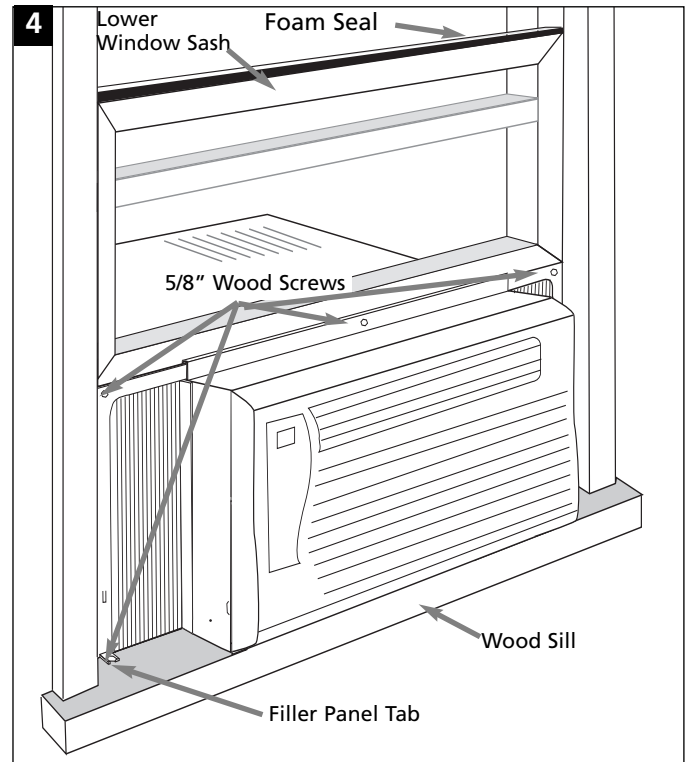
8. Cut foam seal to width of window and install between upper and lower window sash (Fig. 4).

Caution: Do not drill a hole in bottom pan. Unit is designed to operate with approximately 1/2" of water in bottom pan.

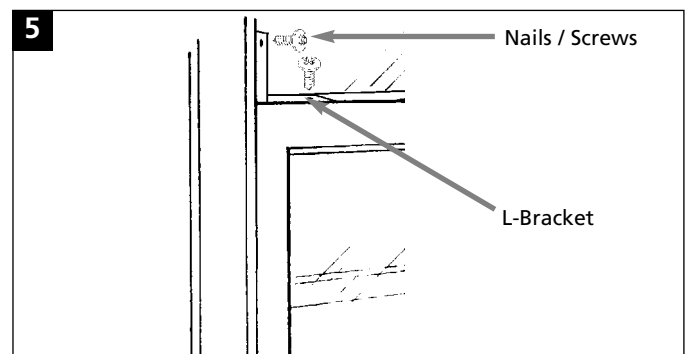
Installation in window 19" to 22" wide

(Do not attach filler panels for this application)

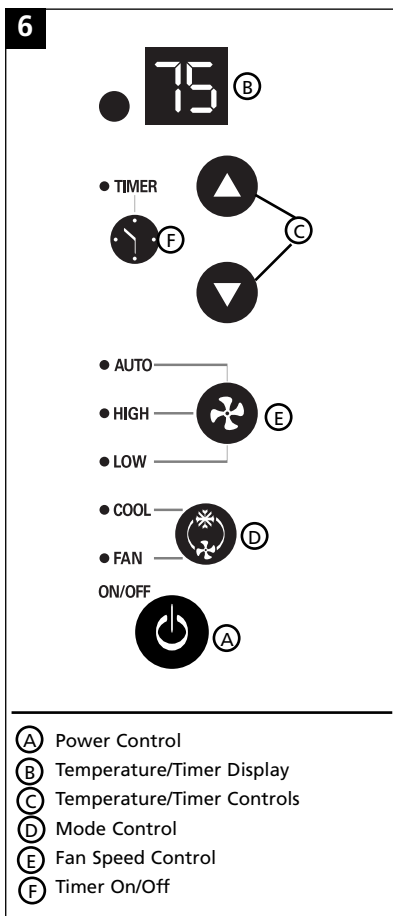
1. Refer to steps 1 and 2 of preceding instructions.
2. Close window until it touches behind top bar (Fig. 4).



3. Fasten lower window sash to window frame using finishing nails, wood screws, or "L" brackets (Fig. 5).
4. If filler is required on sides of air conditioner, cut foam seal to size and fill both sides.
5. Cut foam seal to width of window and install between upper and lower window sash (Fig. 4).



ELECTRONIC CONTROL PANEL



Power Control

The Power Control turns the unit on and off.

The Temperature/Hour Display

Shows the set temperature or the timer setting. THE TEMPERATURE DISPLAY ONLY SHOWS THE SET TEMPERATURE, NOT THE ACTUAL ROOM TEMPERATURE.

Temperature/Hour Controls

These buttons are used to raise or lower the set temperature in increments of 1° from 66° to 88°. They also raise or lower the hour setting in increments of 1 from 00 to 24 when the timer is being set. In order to toggle between °F or °C, depress both of the controls at the same time.

Mode Control

The Mode Control has two settings: FAN and COOL.

The settings are adjusted with the Mode Control button. A green light indicates which setting is currently being used. When the COOL mode is selected, the unit will circulate and cool the air.

If the FAN mode is selected, the unit will only circulate the air.

Fan Speed Control

The Fan Speed Control has three settings: High, Low and Auto. The settings are adjusted with the Fan Speed button, each time the button is depressed it changes the setting. A green light will indicate which setting is currently being used.

When the Auto feature is selected while the air conditioner is in the COOL mode, the fan speeds will change automatically as the temperature in the room changes.

- 4° or more above the set temperature the unit will be in HI FAN mode.
- 4° or less above the set temperature the unit will be in LO FAN mode.

Timer Control

The timer can be set to either turn the unit on or off.

To turn the unit on using the Timer:

- Depress the timer key when the power is off, the display will read 00. Adjust to the desired number of hours before TURN ON using the up/down arrows.
- The display will show the time by hours left until TURN ON.
- To Turn the timer off, depress the timer key.
- A green light next to the Timer Control indicates that the timer is set.

To turn the unit OFF using the Timer:

- Depress the timer key when the power is on, the display will read 00. Adjust to the desired number of hours before TURN OFF using the up/down arrows. The display will automatically go back to the set temperature after 10 seconds.
- To display the amount of time left until TURN OFF, depress the timer button once.
- To turn the TIMER OFF, depress the timer button twice.
- A green light next to the Timer Control indicates that the timer is set.

Built-in three minute timing delay.

If this electronic unit will not respond to touch pad or remote control commands, it is necessary to unplug the unit from the electrical outlet for five seconds and then plug the unit back in.

Auto restart feature:

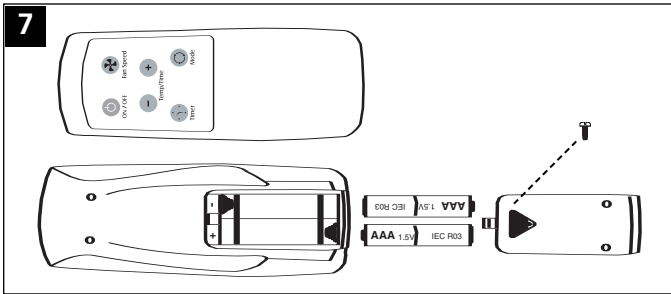
In the event of a power failure, this feature allows the unit to resume operation once power has been restored, retaining the most recent settings. Upon restoration of power, the timer mode may need to be reset if being utilized.

Air Conditioner Remote Control

The functions work the same as your air conditioner's touch controls.

CAUTION

- Use only AAA or IEC R03 1.5V batteries.
- Remove the batteries if the remote controller is not used for a month or longer.
- Do not attempt to recharge the supplied batteries
- All batteries should be replaced at the same time.
- Do not dispose of the batteries in a fire as they may explode.
- Do not mix old and new batteries.
- Do not mix alkaline, standard (carbon - zinc), or rechargeable (nickel-cadmium) batteries.
- Do not install the batteries with the polarity (+/-) reversed.
- Keep batteries and other things that could be swallowed away from young children. Contact a doctor immediately if an object is swallowed.

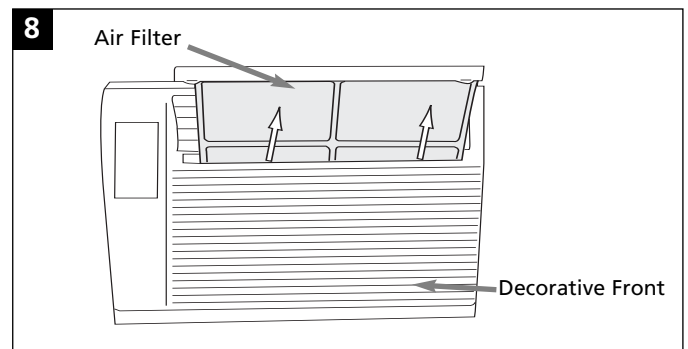


Cleaning the Air Filter

Every two weeks: Clean the Filter

1. Turn power to OFF.
2. Remove the air filter by grasping the top corners and pulling it up and out of the unit (Fig. 8).
3. Wash in hot soapy water, rinse and shake dry.
4. Replace the filter, with the front of the filter toward you.
5. To dry the filter thoroughly, run your unit for a few minutes. Remember, only a clean filter works properly and delivers top efficiency at every setting.

Proper use and care of your air conditioner will help ensure longer life of the unit. It is recommended to have the unit inspected annually, as well as having the coils and condensate water passages cleaned. Expense of the annual inspection is the consumers' responsibility.

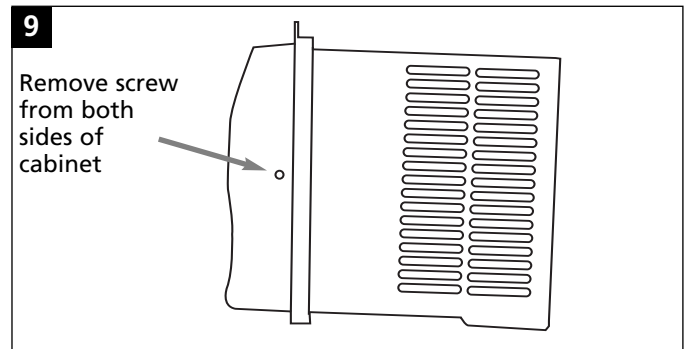


Note: Failure to keep air filter clean will result in poor air circulation.

DO NOT operate without filter. This can render the unit inoperable.

Decorative Front Removal

1. Turn the unit off and remove the plug from the outlet.
2. Remove the screws on either side of the cabinet (Fig. 9).
3. Gently pull forward while grasping both sides of the decorative front.
4. To replace the decorative front, line up the top and bottom and sides, and gently press into position.
5. Reattach the screws on both sides of the decorative front. Make sure the decorative front is secure before reconnecting the plug and operating the unit.



Room Air Conditioner

Troubleshooting Guide To save time and expense, check the following before calling an authorized service station.

Occurrence	Possible Cause	Solutions
Air conditioner will not operate	<ul style="list-style-type: none"> • Wall plug disconnected. • House fuse blown or circuit breaker tripped. • Unit turned off and then on too quickly. • Thermostat set too low for cooling. 	<ul style="list-style-type: none"> • Push plug firmly into wall outlet. • Replace fuse with time delay type or reset circuit breaker. • If air conditioner is turned off, wait 3 minutes before restarting. • Adjust thermostat to higher setting for cooling.
Air from unit does not feel cold enough	<ul style="list-style-type: none"> • Thermostat set too warm. • Room temperature below 70°F. 	<ul style="list-style-type: none"> • Set thermostat to colder temperature. • Cooling may not occur until room temperature rises above 70°F.
Air conditioner cooling, but room is too warm — ice forming on cooling coil behind decorative front	<ul style="list-style-type: none"> • Outdoor temperature below 70°F. • Dirty air filter — air restricted. 	<ul style="list-style-type: none"> • To defrost the coil set thermostat to warmer position. • Clean filter. See "Cleaning the Air Filter" section.
Air conditioner cooling, but room too warm — NO ice forming on cooling coil behind decorative front	<ul style="list-style-type: none"> • Dirty air filter — air restricted. • Thermostat set too warm. 	<ul style="list-style-type: none"> • Clean air filter. Refer to "Cleaning Air Filter" section. • Set thermostat to colder setting.
Noise when unit is cooling	<ul style="list-style-type: none"> • Air movement sound. • Sound of fan hitting water-moisture removal system. • Window vibration — poor installation. 	<ul style="list-style-type: none"> • The sound of rushing air is normal. If too loud, turn selector to lower fan setting. • This is normal when humidity is high. Close doors, windows and registers. • Refer to installation instructions — check with installer.
Water dripping inside when unit is cooling	<ul style="list-style-type: none"> • Improper installation. 	<ul style="list-style-type: none"> • Tilt air conditioner slightly to the outside to allow water drainage. Refer to installation instructions — check with installer.
Water dripping outside when unit is cooling	<ul style="list-style-type: none"> • Unit removing large quantity of moisture from humid room. 	<ul style="list-style-type: none"> • This is normal during excessively humid days.

How to Obtain Warranty Service or Parts

Note: Before calling for service, carefully read this Installation and Operations manual.

For Models Installed in North America :

First make the recommended checks in the Troubleshooting guide. Then, if you still need assistance:

1. Call a CareCo authorized servicer and advise them of model number, serial number, date of purchase and nature of complaint. Service will be provided during normal working hours. Contact your dealer for the name of an authorized servicer, if unknown to you.
2. If your dealer is unable to give you the name of a servicer or if you need other assistance, contact CareCo for the name of an authorized servicer.

You may contact CareCo by email:

customerservice@fedders.com

by calling the following toll-free number:

1-800-332-6658

or you may write:

CareCo, Service Department

415 W. Wabash Ave., P.O. Box 200

Effingham, IL 62401

For Models Installed Outside North America :

For room air conditioners purchased for use outside North America, the manufacturer does not extend any warranty either expressed or implied. Consult your local dealer for any warranty terms extended by the importer in your country.

Proof of Purchase Date

It is the responsibility of the consumer to establish the original purchase date for warranty purposes. We recommend that a bill of sale, cancelled check, or some other appropriate payment record be kept for that purpose.

Room Air Conditioner Warranty

(Within the 48 contiguous United States, state of Hawaii, the District of Columbia, Puerto Rico, Mexico and Canada)

Full (Five Year) Parts and Labor Warranty

During the five years after the date of original purchase, Fedders will, through its authorized servicers and free of charge to the owner or any subsequent user, repair or replace any parts which are defective in material or workmanship due to normal use. Ready access to the air conditioner is the responsibility of the owner.

Note: In the event of any required parts replacement within the period of this warranty, Fedders replacement parts shall be used and will be warranted only for the period remaining on the original warranty.

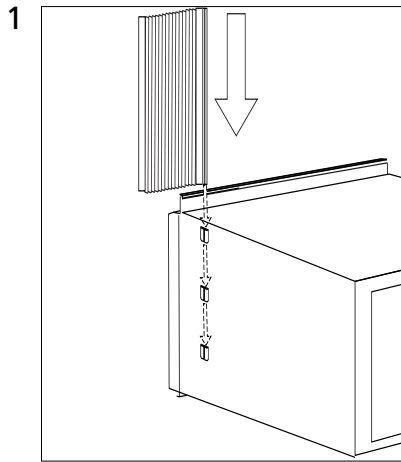
Exceptions

The above warranty does not cover failure to function caused by damage to the unit while in your possession (other than damage caused by defect or malfunction), or by its improper installation, or by unreasonable use of the unit, including without limitation, failure to provide reasonable and necessary maintenance or to follow the written Installation and Operating Instructions. If the unit is put to commercial, business, rental, or other use or application other than for consumer use, we make no warranties, express or implied, including but not limited to, any implied warranty of merchantability or fitness for particular use or purpose.

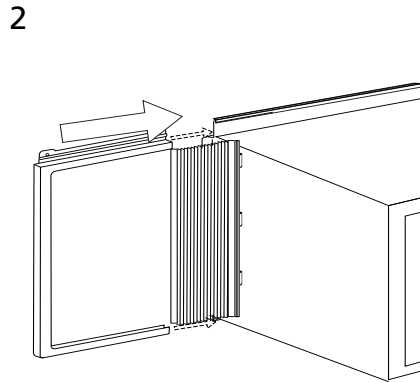
THE REMEDIES PROVIDED FOR IN THE ABOVE EXPRESS WARRANTY ARE THE SOLE AND EXCLUSIVE REMEDIES THEREFOR, NO OTHER EXPRESS WARRANTIES ARE MADE. ALL IMPLIED WARRANTIES, INCLUDING BUT NOT LIMITED TO ANY IMPLIED WARRANTY OF MERCHANTABILITY OR FITNESS FOR A PARTICULAR USE OR PURPOSE, ARE LIMITED IN DURATION TO FIVE YEARS FROM THE DATE OF ORIGINAL PURCHASE. IN NO EVENT SHALL FEDDERS BE LIABLE FOR INDIRECT, INCIDENTAL, OR CONSEQUENTIAL DAMAGES, EVEN IF ADVISED IN ADVANCE OF THE POSSIBILITY OF SUCH DAMAGES. NO WARRANTIES, EXPRESS OR IMPLIED, ARE MADE TO ANY BUYER UPON RESALE.

Some states do not allow limitations on how long an implied warranty lasts or do not allow the exclusion or limitation of incidental or consequential damages, so the above limitations or exclusions may not apply to you. This warranty gives you specific legal rights, and you may also have other rights which may vary from state to state.

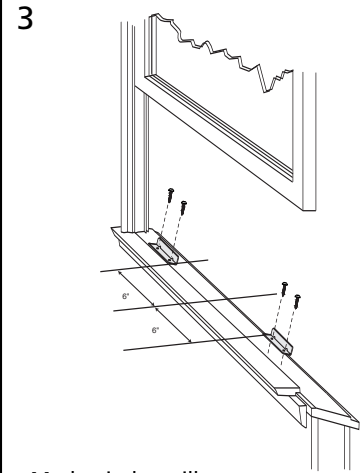
Installation Guide/Guía de instalación/Guide d'installation



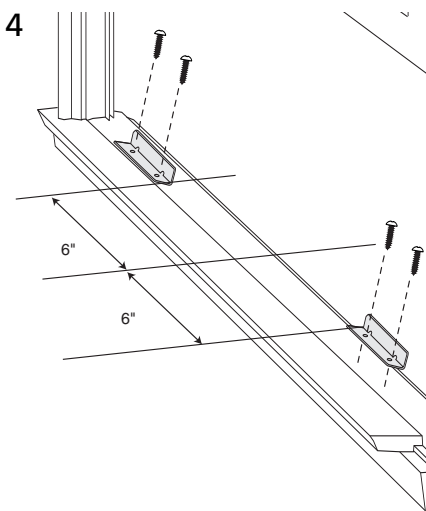
- Attach filler panels
- Paneles adjuntos de relleno
- Fixer les panneau de remplissage



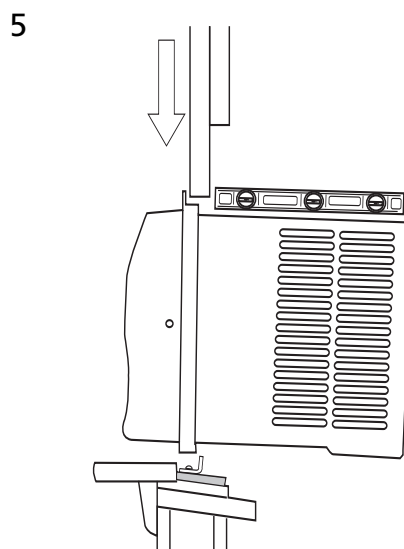
- Attach filler panel frames
- Paneles adjuntos de relleno
- Fixer les Cadre du panneau de remplissage



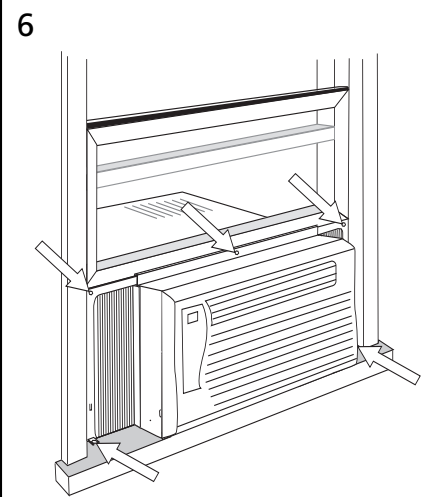
- Mark window sill – Center – 6"
- Marque el alféizar de la ventana – Centro – (222 mm)
- Marquage de l'appui de fenêtre – Centrer – 222 mm



- Attach brackets
- Sujete el soporte
- Fixer l'équerre



- Insert air conditioner
- Coloque el aire acondicionado
- Positionner le climatiseur



- Fasten curtains and insert foam insulation
- Sujete las cortinas y coloque la espuma insuladora
- Fixer les rideaux et introduire l'isolant mousse