

This Owner's Manual is provided and hosted by [Appliance Factory Parts](#).



# AIR TEMP B7Y15F2A Owner's Manual

[Shop genuine replacement parts for AIR TEMP  
B7Y15F2A](#)



[Find Your AIR TEMP Air Conditioner Parts - Select From 623 Models](#)

----- Manual continues below -----



# Installation & Operations Manual

## **Room air conditioners for double hung windows & through-the-wall installation**

## **Acondicionadores de aire para ventanas de guillotina y empotrados en la pared**

## **Climatiseurs – Installation dans un mur ou une fenêtre à guillotine**

<b>ENGLISH</b>	
<b>Important Safety Instructions</b> .....	2
<b>Installation</b>	
Window installation .....	3
Thru the wall installation .....	5
<b>Operation</b>	
Electronic controls .....	6
Cleaning the air filter .....	7
<b>Service/Troubleshooting</b> .....	8
<b>Warranty</b> .....	9

<b>ESPAÑOL</b>	
<b>Instrucciones importantes de seguridad</b> .....	10
<b>Instalación</b>	
Instalación en la ventana .....	11
Instalación empotrado en la pared .....	13
<b>Funcionamiento</b>	
Controles electronicos .....	14
Limpieza del filtro del aire .....	15
<b>Servicio/Localización y Solución de averías</b> .....	16
<b>Garantía</b> .....	17

<b>FRANÇAIS</b>	
<b>Directives de sécurité important</b> .....	19
<b>Installation</b>	
Installation dans une fenêtre .....	20
Installation à travers un mur .....	21
<b>Utilisation</b>	
Commandes électronique .....	22
Nettoyage du filtre à air .....	23
<b>Dépannage/Guide de diagnostic</b> .....	24
<b>Garantie</b> .....	25

### **For Future Reference**

#### **Write down the model and serial numbers**

The model and serial numbers can be found on the side of the cabinet near the control panel. Use these numbers in any correspondence or service calls concerning your air conditioner.

### **Para referencia futura**

#### **Escriba el número de modelo y de serie**

El número de modelo y de serie se encuentran en el costado del gabinete cerca del panel de control. Use estos números en toda la correspondencia o llamadas de servicio relacionadas con su acondicionador de aire.

### **Pour consultation ultérieure**

#### **Inscrivez les numéros de modèle et de série**


Noter ci-contre les numéros de modèle et de série (on les trouve sur le côté de la grille décorative avant, près du tableau de commande). Communiquer ces numéros lors de toute correspondance ou appel au service après-vente ayant trait au climatiseur.

Model No., No. de Modelo, N° de modèle

Serial No., No. de Serie, N° de série

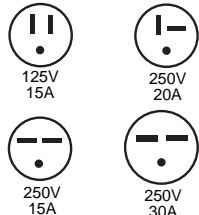
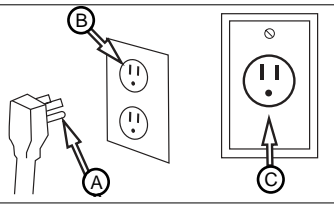
Date of Purchase, Fecha de Compra, Date d'achat

**Warning**



RECOMMENDED CIRCUIT  
WIRE SIZES  
(As installed per building code) :

PROTECTOR SIZE	WIRE GAUGE
15 AMP	#14 MINIMUM
20 AMP	#12 MINIMUM
30 AMP	#10 MINIMUM

(A) Three-prong grounding plug.  
Do not alter plug end.

(B) Grounded three-prong wall receptacle

(C) Single outlet grounding wall receptacle

## Electrical Shock Hazard

- Plug unit **only** into grounded electrical outlet.
- **Do not** use an extension cord or plug adapter with this unit.
- **Do not** operate unit with decorative front or filter removed.
- Failure to follow these precautions could result in electrical shock, fire or personal injury.
- If the air conditioner has a serial plate rating of 115 volts and greater than 7.5 amps, it must have its own fuse or circuit breaker, and no other device or unit should be operated on that fuse or circuit breaker. If the air conditioner has a serial plate rating of 230 volts, it must have its own fuse or circuit breaker, and no other device or unit should be operated on that fuse or circuit breaker.
- We recommend that a qualified electrician install unit in accordance with the National Electrical Code and local codes and ordinances.
- **Do not** operate this air conditioner without proper time delay circuit protection. Refer to serial plate for proper power supply requirements.
- Use copper conductors of correct wire gauge and protector size only.
- **Do not** alter cord or plug end. **Do not** remove warning label on cord.

## Important Grounding Requirements

- Air conditioner has a three-prong grounding plug on the power supply cord, which must be plugged into a properly grounded three-prong wall receptacle for your protection against possible shock hazard. For models up to and including 7.5 amperes, use a grounding type wall receptacle to match the cord plug.
- For models above 7.5 amperes use a single outlet grounding type wall receptacle to match the cord plug.

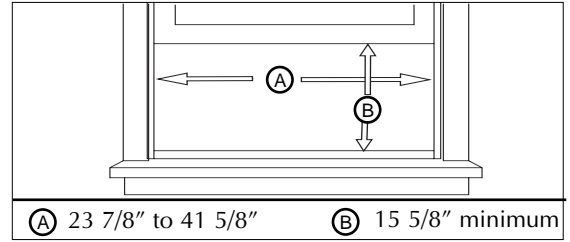
## Additional Safety Precautions

- **Do not** cut, alter or remove any of the expanded polystyrene (white foam) inside this air conditioner.
- **Do not** store or use gasoline or other flammable vapors and liquids in the vicinity of this or any other appliance. The fumes can create a fire hazard or explosion.
- **Do not** introduce objects in the air discharge area. This could cause permanent damage to your unit.
- **Do not** pour liquids on the air conditioner as this could cause a malfunction. With the unit unplugged, use a damp cloth for cleaning your unit.
- **Avoid** using strong solvents to clean the air conditioner.
- Clean the air conditioner filter every two weeks to avoid overheating caused by air obstruction. **Do not** operate without filter.
- **Do not** obstruct the air intake area of your air conditioner, as this could cause overheating, thus activating the unit's security switch and shutting off the unit.
- **Do not** block air circulation to outside louvers of cabinet.
- **Do not** block air flow inside with blinds, curtains, or furniture, or outside with shrubs, enclosures, or other buildings.
- **Do not** run the air conditioner with an outside protective cover in place. This could result in fire or mechanical damage within the air conditioner.

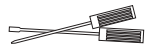
## Before you start:

### Window Requirements:

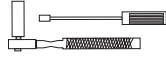
This air conditioner is factory prepared for installation in standard double-hung windows with actual opening width of 26 7/8" to 41 5/8" and clear, vertical opening of 15 5/8" minimum from bottom of sash to sill. Unit can be installed in 23 7/8" wide window, if cabinet side seals are removed.



### Tools Needed



Screwdrivers



Ratchet or Driver with 1/4" socket



Carpenter's Level

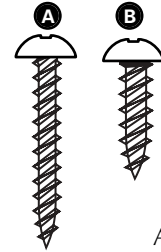


Tape Measure

### Fastener Identification

#### Installation Parts Kit contents:

Item	Description	Qty
(A)	1" wood screw	1
(B)	5/8" wood screw	5



Actual size

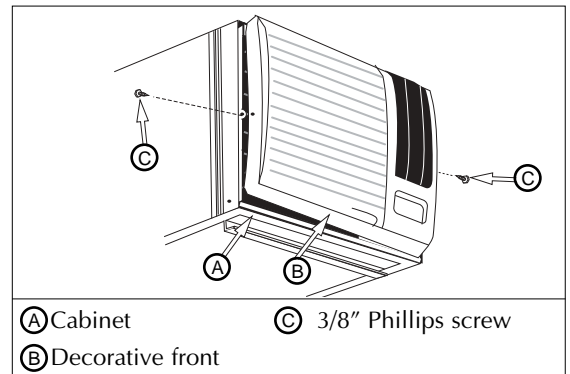
## Window Installation

### Decorative Front Removal

1. Remove the 3/8" phillips screws on either side of the cabinet.
2. Gently pull forward while grasping both sides of the decorative front.

**!** *Make sure unit is unplugged before removing the decorative front.*

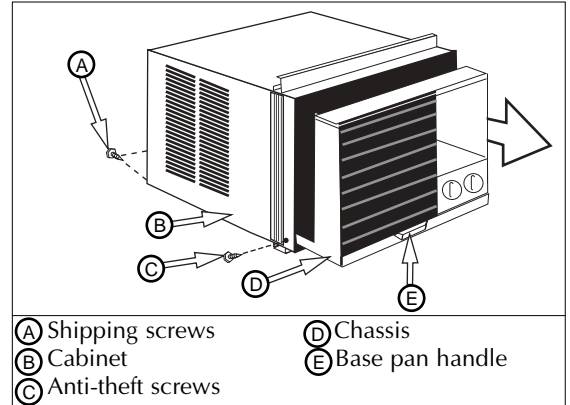
**!** *It is recommended that you have help to install your unit and that you use proper lifting technique to avoid personal injury.*



### Removing the Chassis

1. Remove the two (2) shipping screws from the rear bottom side of the cabinet. These shipping screws may be discarded.
2. Remove the two (2) anti-theft screws from the bottom front sides of the cabinet. **RETAIN THESE SCREWS**, they will be replaced later in the installation.
3. Slide the chassis out of the cabinet by grasping the base pan handle and pulling forward while bracing the top bar.

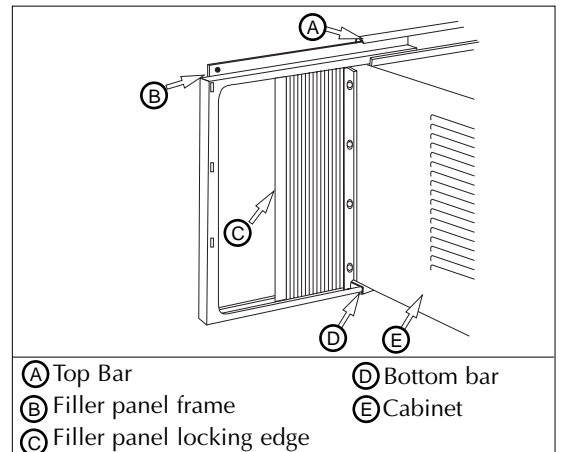
**!** *Make sure unit is unplugged before removing chassis from cabinet.*

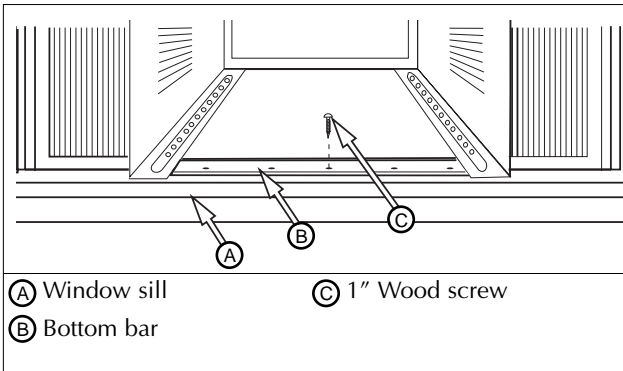


### Filler Panel Frame Installation

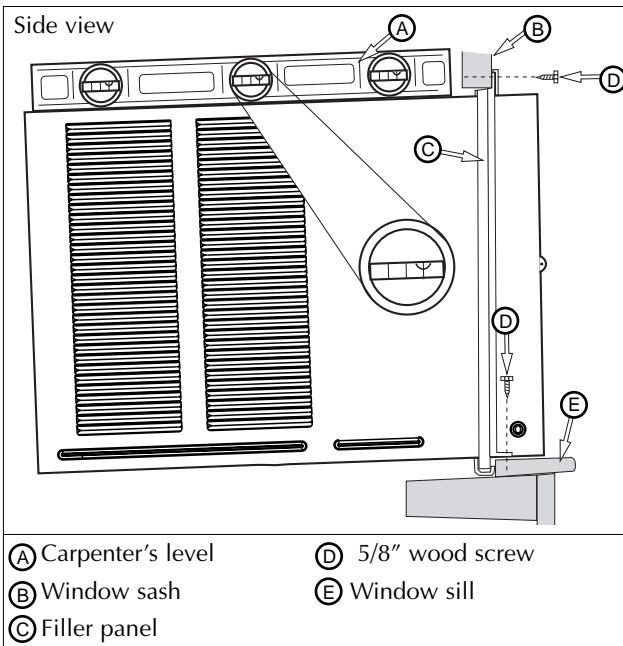
1. Slide the filler panel frame onto the air conditioner cabinet using the tracks on the top bar and bottom bar of the unit. Slide the frame as close to the air conditioner as possible so that the curtain locks into place.
2. Gently pull the frame out until it is the correct length for your application.

**!** *Use caution when working around exposed sharp edges of the cabinet and sharp coils to avoid injury or torn clothing.*

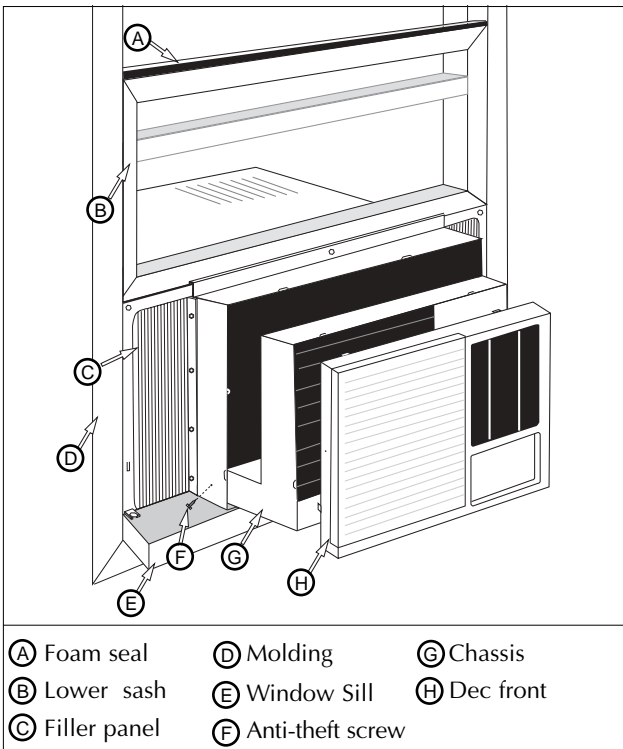




(A) Window sill (B) Bottom bar (C) 1" Wood screw



(A) Carpenter's level (B) Window sash (C) Filler panel (D) 5/8" wood screw (E) Window sill



(A) Foam seal (B) Lower sash (C) Filler panel (D) Molding (E) Window Sill (F) Anti-theft screw (G) Chassis (H) Dec front

## Window Installation (cont.)

1. Open window, by raising lower window sash, and mark the center of window sill. Carefully place cabinet in window and align center hole on the bottom bar with the center mark on the window sill.
2. Close lower window sash until it touches behind the top bar. (Do not release your grip on the cabinet until the lower window sash is in its final position).
3. Attach the cabinet to the window sill by driving one 1" long wood screw through the bottom bar into the window sill.

Be sure cabinet maintains an downward pitch. Air conditioner should slant slightly downward on the outside as shown by 1/2 a bubble off on a carpenter's level. This outward pitch prevents water from entering the room.

## Securing the Filler Panels

1. Slide filler panels outward until they touch window sash tracks.
2. Secure top of filler panels by driving a 5/8" wood screw through each top mounting hole into window sash.
3. Secure bottom of filler panels by driving a 5/8" wood screw into window sill through each filler panel tab.
4. Install chassis into cabinet.

**!** Do not obstruct the air intake area of your air conditioner, as this could cause overheating, thus activating the unit's security switch and shutting off the unit. Do not block airflow inside with blinds, curtains, or furniture. Do not block airflow outside with shrubs, enclosures, or other buildings.

## Installing the Chassis into the Cabinet

1. Slide the chassis into the cabinet.
2. Replace the two anti-theft screws at the bottom front sides of cabinet.
3. To replace the decorative front, line up the top tabs and sides, and gently press into position. Reattach the screws on both sides of the decorative front. Make sure the power cord aligns with the power cord slot on the bottom of the decorative front. Make sure the decorative front is secure before reconnecting the plug and operating the unit.
4. Cut plastic foam seal to width of window and install between upper and lower window sash.
5. Use latex or silicone sealant (not supplied) to fill any minor openings.

**!** Do not drill a hole in the bottom pan. Unit is designed to operate with approximately 1/2" of water in bottom pan.

## Installing Cabinet in Minimum Width Window

1. Remove filler panels on air conditioner cabinet.
2. Refer to steps 1 through 3 of Window Installation instructions.
3. Close window until it touches behind air conditioner top bar.
4. Fasten top bar to window frame using 5/8" washer head screw.
5. If filler is required on sides of air conditioner, cut plastic foam seal to size and fill both sides.
6. Use silicone or latex sealant (not supplied) to fill any minor openings.
7. Install chassis into cabinet.

Consult your authorized dealer or importer for alternative installation instructions.

## Through-the-wall Installation

This air conditioner is designed as a slide-out type chassis, making it possible to install it through-the-wall in both existing and new construction. We recommend that this type of installation be performed with professional assistance.



- **IMPORTANT:** This appliance must be installed according to all applicable electrical and building codes and ordinances.
- It is recommended that you have help to install your unit and that you use proper lifting technique to avoid personal injury.
- It is important that you inspect the condition of the wall where the air conditioner will be installed.
- Be sure the wall can support the weight of the unit.
- All cabinet louvers **MUST BE** on the outdoor side of the wall. **DO NOT BLOCK SIDE LOUVERS.**
- The cabinet must be installed level from side-to-side and with a downward tilt from inside to outside.

1. First remove the decorative front panel and chassis from the cabinet, then remove top bar from the cabinet.
2. Determine the size of the opening for a wood frame by adding 1/8" to the width and height of the cabinet. Measure height from top of cabinet to bottom of bar. Add this measurement to the thickness of wood used to build the frame. This will determine the size of wall opening needed. Minimum 1" thick lumber is recommended when building the frame. When determining finish frame thickness, be sure not to cover side louvers on the cabinet.
3. Install the finished frame in the wall opening square and level, nail or screw it securely to the wall and place the cabinet into the framed wall opening.
4. **Make sure cabinet projects into the roomside of the wall 1 1/4" at the top and 1 1/2" at the bottom to ensure proper tilt and access to the anti-theft screw, then fasten cabinet to the frame by drilling twelve (12) 1" wood screws (not supplied) through the cabinet and into the frame. (Fig. 1 & 2)**

If installation is made in a building with brick veneer construction, a steel angle lintel must be used to support the bricks above the cabinet. (Fig. 3)

5. Install a 3/4" X 1 1/2" wood filler strip between the bottom bar and the interior, caulk both top and bottom of this strip. After cabinet is installed, caulk all openings, inside and outside, between finish frame and cabinet to prevent moisture from getting to the interior of the wall. Use of flashing (drip rail) will further prevent water from dripping inside the wall.
6. Install chassis into cabinet.

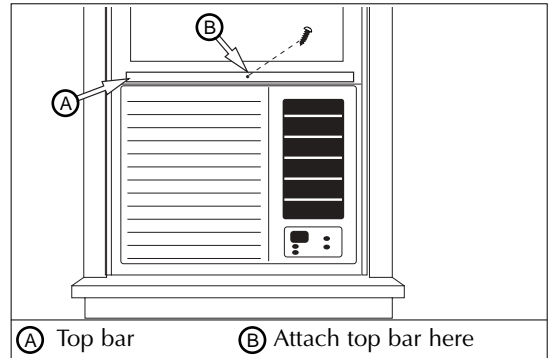


Fig. 1

Fig. 2

Fig. 3

- |  |                          |
|--|--------------------------|
| (A) Wood frame   | (H) 2" Wood frame        |
| (B) 1" wood screws   | (I) 1 1/2" space         |
| (C) Cabinet  | (J) 1 1/4" space         |
| (D) Bottom bar   | (K) Brick veneer         |
| (E) Interior wall  | (L) Lintel angle         |
| (F) Decorative front   | (M) Caulking             |
| (G) Minimum 1x6 wood support (nailed or screwed to wood frame) | (N) Flashing (drip rail) |
|  | (O) Side louvers         |
|  | (P) Wood filler strip    |

## Electronic Control Panel

### Power Control

The Power Control turns the unit on and off.

### Set Temperature/ Timer Display

Shows the set temperature when the unit is in operation and hours when the timer is being set. *THE TEMPERATURE DISPLAY ONLY SHOWS THE SET TEMPERATURE, NOT THE ACTUAL ROOM TEMPERATURE.*

### Temperature/ Timer Hour Controls

These buttons are used to raise or lower the set temperature in increments of 1° from 66°F to 88°F. By depressing both buttons at once, the display will toggle between Celsius and Fahrenheit. When the timer is being set, these buttons are used to change the hour setting in increments of 1 from 00 to 24.

### Mode Control

A green light will indicate which mode is currently being utilized.

#### Cool Mode -

The unit will circulate and cool the air.

#### Heat Mode (Heat Models Only) -

The unit will circulate and heat the air.

**Heater Safety Feature-** When heater is powered off, low fan will automatically stay on and run for 60 seconds to ensure the removal of residual heat, meanwhile, the Low Fan LED blinks until the low fan stops.

#### Fan Mode -

The unit will only circulate the air.

#### Energy Saver Mode -

(The energy saver mode is designed to operate with Cool mode only). The fan will switch from the set fan speed to Low whenever the compressor turns off in response to the thermostat. When the compressor cycles back on, the unit will return to the original fan setting. Speeds will change automatically as the temperature in the room changes.

### Fan Speed Control - High, Medium, Low and Auto

The settings are adjusted with the Fan Speed Control, each time the button is depressed it changes the setting. A green light will indicate which setting is currently being used.

When the Auto feature is selected while the air conditioner is in the Cool or Heat mode, the fan speeds will change automatically as the temperature in the room changes. In Cool Mode when the room reaches 7° or more above the set temperature High Fan will be used, 4° or less above the set temperature will use Low fan. In Heat Mode when the room reaches 7° or more below the set temperature High fan will be used, 4° or less below the set temperature will use Low fan. At all other times the fan will use Medium fan.

### Timer Control (The timer can be set to either turn the unit on or off.)

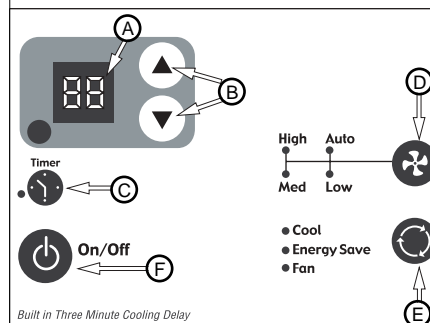
#### To automatically START the unit using the Timer mode:

1. Push the timer button while the power is OFF. The display will read 00. Adjust the display to show the desired number of hours before START-UP using the Temperature/Timer adjustment arrows.
2. The display will show the amount of time, in hours, remaining until START-UP.
3. To exit Timer mode, push the Timer button.
4. A green light next to the Timer button indicates that the timer is set.

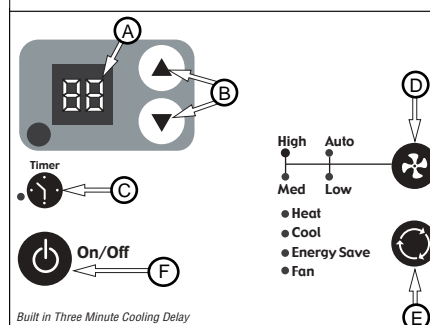
#### To automatically SHUT-DOWN the unit using the Timer mode:

1. Push the timer button while the power is ON. The display will read 00. Adjust the display to show the desired number of hours before SHUT-DOWN using the Temperature/Timer adjustment arrows. (The display will automatically return to the set temperature after 10 seconds.)
2. To display the amount of time left until SHUT-DOWN, push the Timer button once.
3. To exit Timer mode, push the Timer button twice.
4. A green light next to the Timer button indicates that the timer is set.

#### Electronic Control (Cooling Only)



#### Electronic Control (Heat/Cool)



- (A) Temperature/Timer Display
- (B) Temperature/Timer Adjustment
- (C) Timer On/Off
- (D) Fan Speed Control
- (E) Mode Control
- (F) Power Control

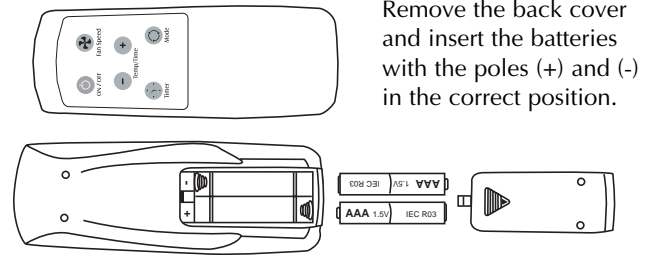
**!** *The heat from this unit is designed only as a supplemental heat source in addition to regular heating systems.*

## Air Conditioner Remote Control

The functions work the same as your air conditioner's touch controls.

### CAUTION:

- Use only AAA or IEC R03 1.5V batteries.
- Remove the batteries if the remote controller is not used for a month or longer.
- Do not attempt to recharge the supplied batteries
- All batteries should be replaced at the same time.
- Do not dispose of the batteries in a fire as they may explode.
- Do not mix old and new batteries.
- Do not install the batteries with the polarity (+/-) reversed.
- Keep batteries and other objects that could be swallowed away from young children. Contact a doctor immediately if an object is swallowed.



Remove the back cover and insert the batteries with the poles (+) and (-) in the correct position.

**! Caution:**  
If air conditioner is shut off, wait a minimum of three minutes before restarting.

## Air Circulation Without Cooling or Heating

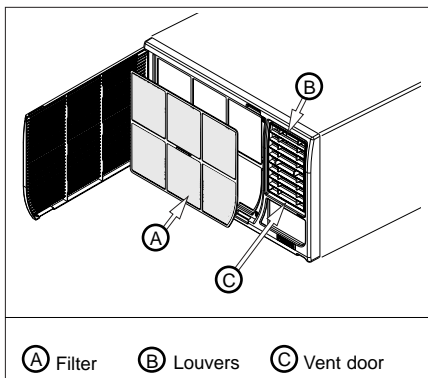
1. Close vent door.
2. Turn Master Control to HI FAN.

## Exhaust Operation Without Cooling or Heating

1. Open vent door.
2. Turn Master Control to HI FAN.

## Directing Airflow

Unit is engineered with adjustable louvers to direct discharge airflow. Louvers are manually adjusted by moving levers in direction of desired airflow.



## Cleaning the Air Filter *Clean the filter every two weeks*

1. Turn Master Control to OFF.
2. Remove the air filter by opening the air intake panel on the decorative front and pull it out of the unit.
3. Wash in hot soapy water, rinse and shake dry.
4. Replace the filter, with the front of the filter toward you.
5. To dry the filter thoroughly, run your unit for a few minutes. Remember, only a clean filter works properly and delivers top efficiency at every setting.

**! Note:** Failure to keep air filter clean will result in poor air circulation. **DO NOT** operate without filter. This can render the unit inoperative.

*Proper use and care of your air conditioner will help ensure longer life of the unit. It is recommended to annually inspect and clean the coils and condensate water passages. Expense of annual inspection is the consumer's responsibility.*



**Service** To save time and expense, check the following before calling an authorized service center.

**For Models Installed in North America - If Service or Parts are Required** First, make the recommended checks. If it appears that service or parts are still required, see your room air conditioner warranty “How to Obtain Warranty Service or Parts”.

**For Models Installed Outside North America** For room air conditioners purchased for use outside North America, the manufacturer does not extend any warranty either expressed or implied. Consult your local dealer for any warranty terms extended by the importer in your country.

Visit [www.fedders.com](http://www.fedders.com) for obtaining service parts beyond your warranty period.

## Troubleshooting Guide

<b>Occurrence</b>	<b>Possible Cause</b>	<b>Solutions</b>
<b>Air conditioner will not operate</b>	<ul style="list-style-type: none"> <li>• Wall plug disconnected.</li> <li>• House fuse blown or circuit breaker tripped.</li> <li>• Power switch in OFF position.</li> <li>• Unit accidentally turned off by moving the thermostat to a higher temperature and then immediately turned back to a colder position.</li> <li>• Unit turned off and then on too quickly.</li> <li>• Thermostat set too low for cooling.</li> </ul>	<ul style="list-style-type: none"> <li>✓ Push plug firmly into wall outlet.</li> <li>✓ Replace fuse with time delay type or reset circuit breaker.</li> <li>✓ Turn power switch to ON position.</li> <li>✓ Wait approximately 3 minutes. Listen for the compressor to start.</li> <li>✓ If air conditioner is turned off, wait 3 minutes before restarting.</li> <li>✓ Adjust thermostat to higher setting for cooling.</li> </ul>
<b>Air from unit does not feel cold enough</b>	<ul style="list-style-type: none"> <li>• Selector in FAN position.</li> <li>• Thermostat set too warm.</li> <li>• Room temperature below 70°F.</li> </ul>	<ul style="list-style-type: none"> <li>✓ Set selector to COOL position.</li> <li>✓ Set thermostat to colder temperature.</li> <li>✓ Cooling may not occur until room temperature rises above 70°F.</li> </ul>
<b>Air conditioner cooling, but room is too warm — ice forming on cooling coil behind decorative front</b>	<ul style="list-style-type: none"> <li>• Outdoor temperature below 70°F.</li> <li>• Dirty air filter — air restricted.</li> <li>• Thermostat set too cold for nighttime cooling.</li> </ul>	<ul style="list-style-type: none"> <li>✓ To defrost the coil, set selector to FAN position. Then, set thermostat to warmer position.</li> <li>✓ Clean filter. See “Cleaning the Air Filter” section. To defrost, set selector to FAN.</li> <li>✓ To defrost the coil, set selector to FAN position. Then, set thermostat to a normal position.</li> </ul>
<b>Air conditioner cooling, but room too warm — NO ice forming on cooling coil behind decorative front</b>	<ul style="list-style-type: none"> <li>• Dirty air filter — air restricted.</li> <li>• Thermostat set too warm.</li> <li>• Fan selector set on LOW.</li> </ul>	<ul style="list-style-type: none"> <li>✓ Clean air filter. Refer to “Cleaning Air Filter” section.</li> <li>✓ Set thermostat to colder setting.</li> <li>✓ Set fan speed selector to HIGH for maximum cooling.</li> </ul>
<b>Noise when unit is cooling</b>	<ul style="list-style-type: none"> <li>• Air movement sound.</li> <li>• Sound of fan hitting water-moisture removal system.</li> <li>• Window vibration — poor installation.</li> </ul>	<ul style="list-style-type: none"> <li>✓ The sound of rushing air is normal. If too loud, turn selector to lower fan setting.</li> <li>✓ This is normal when humidity is high. Close doors, windows and registers.</li> <li>✓ Refer to installation instructions — check with installer.</li> </ul>
<b>Water dripping inside when unit is cooling</b>	<ul style="list-style-type: none"> <li>• Improper installation.</li> </ul>	<ul style="list-style-type: none"> <li>✓ Tilt air conditioner slightly to the outside to allow water drainage. Refer to installation instructions — check with installer.</li> </ul>
<b>Water dripping outside when unit is cooling</b>	<ul style="list-style-type: none"> <li>• Unit removing large quantity of moisture from humid room.</li> </ul>	<ul style="list-style-type: none"> <li>✓ This is normal during excessively humid days.</li> </ul>

### How to Obtain Warranty Service

Service for your Room Air Conditioner will be provided by CareCo through its network of Authorized Independent Servicers nationwide.

Note: Before calling for service, carefully read the "Installation and Operating Instructions" booklet. Then if you need service:

1. Call a CareCo authorized service contractor and advise of the model number, serial number, date of purchase and the nature of your complaint. Service will be provided during normal working hours. Contact your dealer for the name of an authorized service contractor, if unknown to you.

2. If your dealer is unable to give you the name of a service contractor or if you need other assistance, call CareCo at

**1-800-332-6658**

or write:

CareCo  
415 Wabash Avenue  
Effingham, IL 62401

### Proof of Purchase Date

It is the responsibility of the consumer to establish the original purchase date for warranty purposes. We recommend that a bill of sale, canceled check or some other appropriate payment record be kept for that purpose.

### Limited Warranty

(Within the 48 contiguous United States, State of Hawaii, the District of Columbia, Puerto Rico and Canada).

### Full (Five Year) Parts and Labor Warranty

During the first five years after the original date of purchase, CareCo will, through its authorized servicers and free of charge to the owner or any subsequent owner, repair or replace any parts which are defective in material or workmanship due to normal use. Ready access to the air conditioner is the responsibility of the owner.

Note: In the event of any required parts replacement within the period of this warranty, CareCo replacement parts shall be used and will be warranted only for the period remaining on the original warranty.

### Exceptions

The above warranty does not cover failure to function caused by damage to the unit while in your possession (other than damage caused by defect or malfunction), or by its improper installation, or by unreasonable use of the unit, including without limitation, failure to provide reasonable and necessary maintenance or to adhere to the written Installation and Operating Instructions. If the unit is put to commercial, business, rental, or other use or application other than for consumer use, we make no warranties, express or implied. Including but not limited to, any implied warranty of merchantability or fitness for a particular use or purpose.

THE REMEDIES PROVIDED FOR IN THE ABOVE EXPRESS WARRANTY ARE THE SOLE AND EXCLUSIVE REMEDIES THEREFORE, NO OTHER EXPRESS WARRANTIES ARE MADE. ALL IMPLIED WARRANTIES, INCLUDING BUT NOT LIMITED TO ANY IMPLIED WARRANTY OF MERCHANTABILITY OR FITNESS FOR A PARTICULAR USE OR PURPOSE, ARE LIMITED IN DURATION TO FIVE YEARS FROM THE DATE OF ORIGINAL PURCHASE. IN NO EVENT SHALL CARECO BE LIABLE FOR INDIRECT, INCIDENTAL, OR CONSEQUENTIAL DAMAGES, EVEN IF ADVISED IN ADVANCE OF THE POSSIBILITY OF SUCH DAMAGES. NO WARRANTIES, EXPRESS OR IMPLIED, ARE MADE TO ANY BUYER UPON RESALE.

### Important Information

Some states do not allow limitations on how long an implied warranty lasts or do not allow the exclusion or limitation of incidental or consequential damages, so the above limitations or exclusions may not apply to you. This warranty gives you specific legal rights and you may also have other rights which vary from state to state.

Administered By:

CareCo • 415 Wabash Avenue • Effingham, IL 62401

## IMPORTANTE

REQUERIMIENTOS ELECTRICOS Y  
PRECAUCIONES DE SEGURIDAD

### Advertencia



#### TAMAÑOS RECOMENDADOS DE LOS CONDUCTORES DEL CIRCUITO

(Instalados según el código de  
construcción):

CAPACIDAD DE LOS FUSIBLES	CALIBRE DE LOS CONDUCTORES
15 AMP	#14 COMO MINIMO
20 AMP	#12 COMO MINIMO
30 AMP	#10 COMO MINIMO



125V  
15A



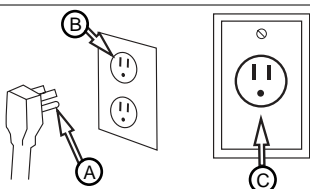
250V  
20A



250V  
15A



250V  
30A



- (A) Enchufe de tres clavijas con puesta a tierra. No modifique.
- (B) Tomacorriente para enchufe de tres clavijas con puesta a tierra.
- (C) Tomacorriente mural sencillo con puesta a tierra.

### Riesgo de Choque Eléctrico ⚠

- Enchufe el aparato **solamente** en un tomacorriente eléctrico puesto a tierra.
- Con este aparato **no use** un cordón de extensión ni un adaptador de enchufe.
- **No** haga funcionar el acondicionador de aire sin el panel delantero.
- **El incumplimiento de estas precauciones pueden causar un choque eléctrico, incendio o lesión personal.**
- Si el acondicionador de aire tiene una potencia nominal indicada en la placa de serie de 115 voltios y de más de 7,5 amperes, es necesario que sea protegido con su propio fusible o disyuntor y ningún otro dispositivo debe usar ese mismo disyuntor o fusible. Si el acondicionador de aire tiene una potencia nominal en la placa de serie de 230 voltios, es necesario que sea protegido con su propio fusible o disyuntor y ningún otro aparato debe usar ese mismo disyuntor o fusible.
- Recomendamos que un electricista calificado instale el acondicionador de aire de acuerdo con el código eléctrico nacional y los códigos y reglamentos locales.
- **No** haga funcionar este acondicionador de aire sin protección adecuada del circuito de retardo. Consulte la placa de serie para los requerimientos apropiados de alimentación eléctrica.
- Use solamente conductores de cobre y fusibles de calibre y capacidad adecuada.
- **No** modifique el cordón ni el enchufe del extremo. **No** retire la etiqueta de advertencia del cordón de alimentación.

### Requerimientos Importantes para la Puesta a Tierra ⚠

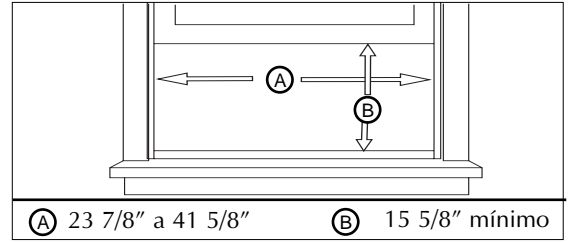
- El cordón de alimentación del acondicionador de aire tiene un enchufe de tres clavijas con puesta a tierra el cual debe ser enchufado en un tomacorriente mural puesto a tierra de tres alvéolos para su protección contra posible riesgo de choque eléctrico. Para los modelos de hasta 7,5 amperes o menos, use un tomacorriente mural del tipo con puesta a tierra que tenga la misma configuración que el enchufe del cordón de alimentación.
- Para los modelos de más de 7,5 amperes, use un tomacorriente mural sencillo con puesta a tierra que tenga la misma configuración que el enchufe del cordón de alimentación.

### Precauciones de Seguridad Adicionales ⚠

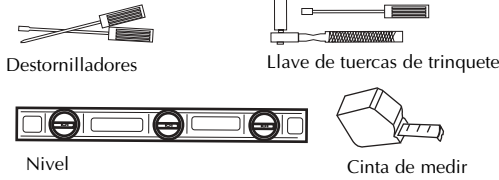
- No corte, modifique ni retire ningún pedazo de poliestireno expandido (espuma blanca) situado dentro de este acondicionador de aire.
- No guarde ni use gasolina u otros vapores y líquidos inflamables en la vecindad de este o cualquier otro artefacto. Los vapores emitidos pueden crear un riesgo de incendio o explosión.
- No introduzca objetos en el área de descarga del aire. Esto puede causar daño irreparable a su acondicionador de aire.
- No vierta líquidos de limpieza en el acondicionador de aire pues esto puede causar un malfuncionamiento. Use un paño húmedo para limpiarlo.
- Evite usar solventes fuertes para limpiar el acondicionador de aire.
- Limpie el filtro del acondicionador de aire cada dos semanas para evitar sobrecalentamiento causado por obstrucción del aire.
- No obstruya el área de entrada del aire de su acondicionador, pues esto puede causar sobrecalentamiento, lo cual activará el interruptor de seguridad y apagará el aparato.
- No bloquee la circulación del aire hacia las rejillas de ventilación exteriores del gabinete.
- No obstruya el flujo del aire hacia el interior con persianas, cortinas o muebles o hacia el exterior con arbustos, recintos u otros edificios.
- No haga funcionar el acondicionador de aire teniendo instalada la cubierta protectora exterior. Esto podría resultar en daño mecánico dentro del acondicionador de aire.

### Dimensiones de la Ventana

Este acondicionador de aire ha sido preparado en la fábrica para su instalación en ventanas de guillotina estándares con aberturas de 26,875" a 41,625" de ancho y una abertura vertical de por lo menos 15,625" mínimo desde la parte inferior de la hoja móvil hasta el umbral. El acondicionador de aire puede ser instalado en ventanas de 24" de ancho, si se retiran los paneles de sellado laterales del gabinete.

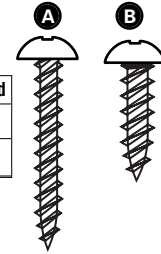


### Herramientas Necesarias



### Identificación de Tornillo

Partida	Nombre la parte	Cantidad
(A)	Tornillo de madera de 1"	1
(B)	Tornillo de madera de 5/8"	5

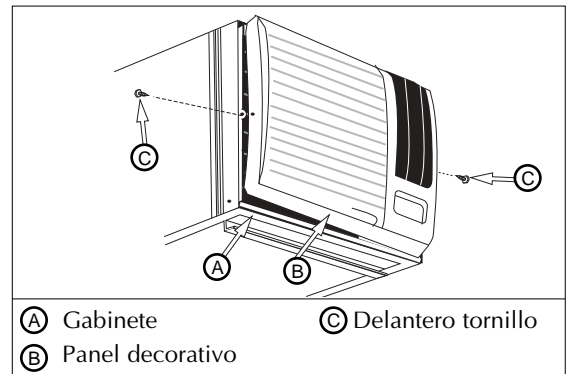


## Instalacion en la ventana

### Desmontaje del Panel Decorativo Delantero

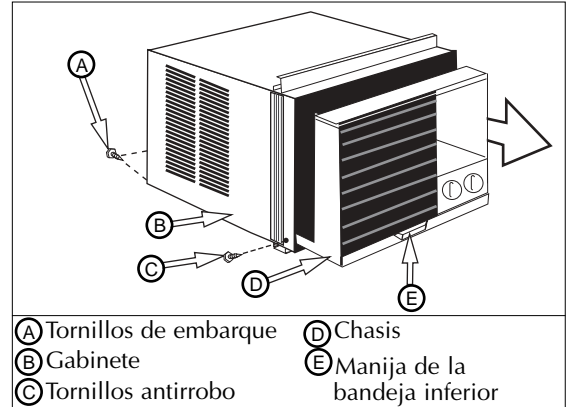
1. Retire los tornillos que se encuentran a ambos lados del gabinete.
2. Tire suavemente hacia adelante mientras sostiene los dos lados del frente decorativo.

**⚠ Antes de desmontaje del chasis, apague la unidad y desconecte el enchufe.**



### Desmontaje del Chasis

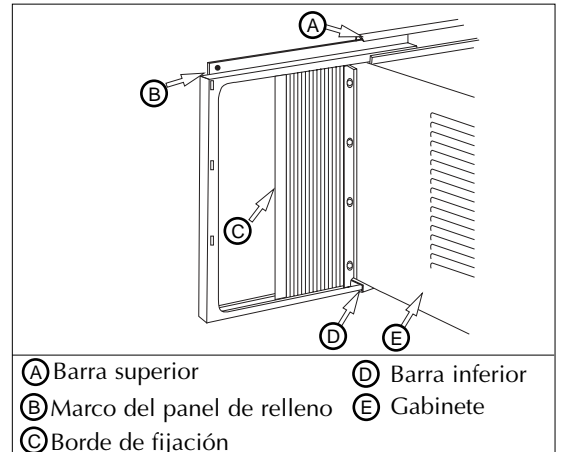
1. Retire los dos (2) tornillos de embarque\* del costado inferior trasero del gabinete.
2. Retire los dos (2) tornillos antirrobo de ambos lados delanteros inferiores del gabinete. CONSERVE ESTOS TORNILLOS, ellos serán usados posteriormente en la instalación.
3. Deslice el chasis fuera del gabinete sujetando la manija de la bandeja inferior y tirando hacia adelante a la vez que sujeta el barra superior.



### Instalación del Marco del Panel de Relleno

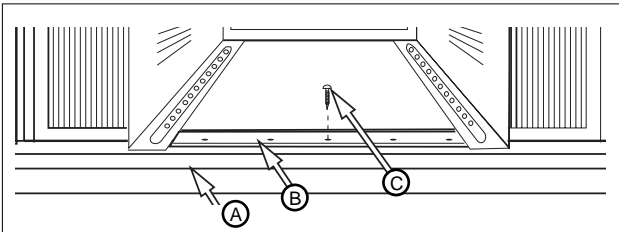
1. Deslice el marco del panel de relleno en el gabinete del acondicionador de aire usando las guías que se encuentran arriba y abajo de la unidad. Deslice el marco lo más cerca posible del acondicionador de aire para que la cortina quede trabada en la posición adecuada.
2. Tire suavemente del marco hasta obtener la longitud que necesita para realizar la instalación.

**⚠ Tenga cuidado cuando esté trabajando alrededor de las esquinas afiladas del gabinete ara evitar heridas o ropas rasgadas.**

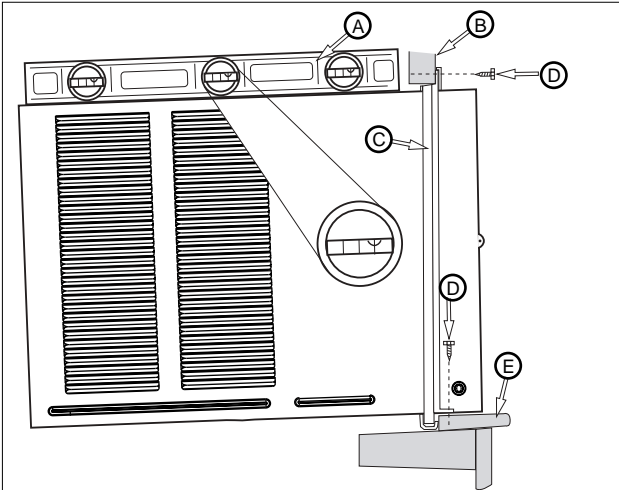


## INSTALACION

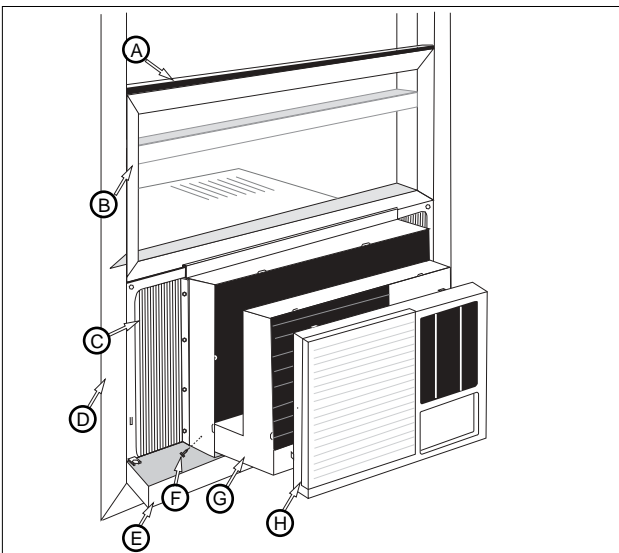
### INSTALACION EN LA VENTANA



- (A) Umbral de la ventana (B) Barra inferior  
(C) Tornillo de 1"



- (A) Nivel (B) Hoja móvil de la ventana  
(C) Panel de relleno (D) Tornillo de madera de 5/8"  
(E) Umbral de la ventana



- (A) Espuma de relleno (B) Hoja móvil inferior  
(C) Panel de relleno (D) Moldura  
(E) Umbral de la ventana (F) Tornillo antirrobo  
(G) Chasis (H) Panel decorativo delantero

### Instalacion en la Ventana

1. Abra la ventana y marque el centro del umbral de la ventana. Coloque cuidadosamente el gabinete en la ventana y alinee el agujero central de la barra inferior con la marca central trazada en el umbral de la ventana.
2. Cierre la hoja móvil inferior de la ventana hasta que toque el aparato detrás de la barra de retén superior. (No suelte el gabinete hasta que la hoja móvil inferior esté en su posición final).
3. Instale el gabinete en el umbral de la ventana colocando un tornillo de 1" de largo a través de la barra de unión inferior hacia el umbral de la ventana.

### Aseguridad de los paneles de relleno

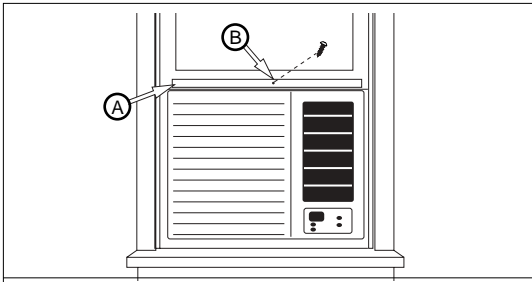
4. Deslice los paneles de relleno hacia afuera hasta que toquen los rieles de la hoja móvil de la ventana.
5. Asegure la parte superior de los paneles de relleno instalando tornillos de 5/8" de largo a través de los agujeros de montaje superiores hacia el umbral de la ventana.
6. Asegure la parte inferior de los paneles instalando tornillos de 5/8" de largo en el umbral de la ventana a través de las lengüetas del panel de relleno.
7. Instale el chasis en el gabinete (página 15).

**!** No obstruya el área de la entrada del aire de su acondicionador, pues esto puede causar sobrecalentamiento, lo cual activará el interruptor de seguridad y apagará el aparato. No bloquee el flujo del aire hacia el interior con persianas, cortinas o muebles o hacia el exterior con arbustos, recintos u otros edificios.

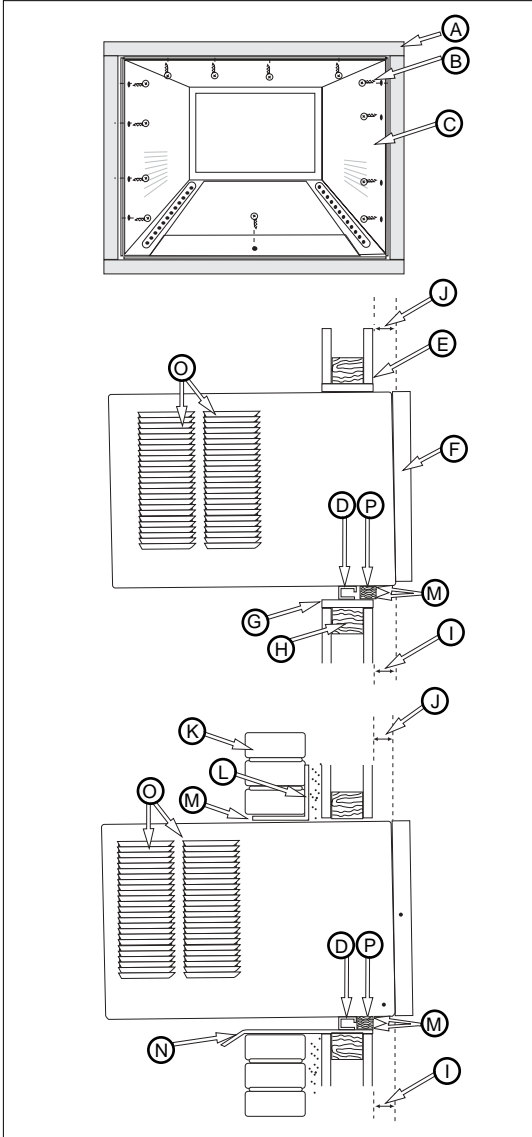
### Instalación del Chasis en el Gabinete

1. Deslice el chasis hacia el interior del gabinete.
2. Para reinstalar el panel decorativo delantero, colóquelo en su lugar y empújelo hacia atrás hacia el acondicionador hasta que entre a presión en su lugar. Vuelva a instalar el tornillo de retén detrás del panel de entrada del aire.
3. Reinstale los dos tornillos antirrobo en los lados delanteros inferiores del gabinete.
4. Corte un relleno de espuma de plástico del ancho de la ventana e instálolo entre la hoja móvil superior e inferior de la ventana.
5. Use compuesto obturador para llenar cualquier abertura más pequeña.

**!** No taladre un agujero en la bandeja inferior. El acondicionador de aire ha sido diseñado para funcionar aproximadamente con 1/2" de agua en la bandeja inferior.



(A) Barra superior (B) Tornillo de madera de 5/8"



(A) Marco de madera	(H) Marco de madera de 2" por todo el rededor
(B) Tornillos de madera de 1"	(I) Espacio de 1-1/2"
(C) Gabinete	(J) Espacio de 1-1/4"
(D) Barra inferior	(K) Enchapado de ladrillo
(E) Pared	(L) Dintel angular
(F) Panel decorativo delantero	(M) Material obturador
(G) Soporte de madera de por lo menos 1 x 6 (clavado o atornillado en el marco de madera)	(N) Guardaaguas (Vieriteaguas)
	(O) Rejillas de ventilacion
	(P) relleno de madera

### Instalación del Gabinete en una Ventana de Ancho Mínimo

1. No instale los paneles de relleno en el gabinete.
2. Consulte las instrucciones anteriores desde el paso 1 al 3.
3. Cierre la ventana hasta que toque detrás de la barra superior del acondicionador de aire.
4. Asegure la hoja móvil inferior de la ventana en el marco de la ventana.
5. Si se requiere relleno en ambos lados del acondicionador de aire, corte una espuma de plástico del tamaño adecuado y tape ambos lados.
6. Use compuesto obturador para llenar cualquier abertura más pequeña.
7. Instale el chasis en el gabinete.

Consulte a su distribuidor autorizado o al importador para obtener instrucciones de instalación alternativas.

### Instalación Empotrado en la Pared

Este acondicionador de aire ha sido diseñado como un chasis deslizante, haciendo que sea posible su instalación empotrada en la pared, tanto en muros de construcción antigua como moderna. Recomendamos que este tipo de instalación sea realizado con ayuda profesional.

- **IMPORTANTE:** Este aparato debe ser instalado de acuerdo con todos los códigos y reglamentos eléctricos y de construcción aplicables.
- Se recomienda que usted solicite ayuda para instalar el aparato y que use una técnica de alzamiento adecuado para evitar lesión personal.
- Es importante que usted inspeccione el estado de la pared donde se instalará el acondicionador de aire.
- Asegúrese de que la pared pueda soportar el peso del acondicionador de aire.
- Todas las rejillas de ventilación del gabinete **DEBEN QUEDAR** hacia el lado exterior de la pared. **NO BLOQUEE LAS REJILLAS DE VENTILACION LATERALES.**
- El gabinete debe ser instalado de modo que quede nivelado de lado a lado y con una ligera inclinación hacia abajo desde el interior al exterior.
  1. Retire primero el panel decorativo delantero y el chasis del gabinete. Retire la barra superior del gabinete.
  2. Determine el tamaño de la abertura para construir un marco de madera agregando 1/8" al ancho y a la altura del gabinete. Mida la altura desde la parte superior del gabinete hasta la barra inferior. Agregue esta medidas al grosor de la madera usada para construir el marco. Esto determinará el tamaño necesario de la cavidad en la pared. El marco debe construirse usando madera de por lo menos 1" de espesor. Cuando se determine el grosor del marco acabado, asegúrese de que este no cubra las rejillas de ventilación laterales del gabinete.
  3. Instale el marco terminado en la cavidad mural de manera que quede a escuadra y nivelado, luego clávelo o atorníllelo firmemente en la pared e introduzca el gabinete en la cavidad mural ya preparada con el marco.
  4. Asegúrese de que el gabinete sobresalga de la pared 1-1/4" en la parte superior y 1-1/4" en la parte inferior hacia la habitación para asegurar una inclinación adecuada y acceso al tornillo antirrobo, luego asegure el gabinete en el marco instalando doce (12) tornillos de madera de 1" (no suministrados) a través de los agujeros taladrados en el gabinete y hacia el marco.

Si el acondicionador se instala en un muro enchapado de ladrillo se debe usar un dintel angular de acero para sostener los ladrillos que están arriba del gabinete.

5. Una vez que se haya instalado el gabinete obture todas las aberturas en el interior y exterior entre el marco acabado y el gabinete para evitar que la humedad penetre al interior de la pared. El uso de un guardaaguas (vieriteaguas) ayudará también a evitar que el agua gotee dentro de la pared.
6. Instale el chasis en el gabinete.

## Panel de Control Electrónico

### Control de Alimentación

Este botón pone en marcha y apaga el acondicionador de aire.

### Indicador de Temperatura de Ajuste/Temporizador

El indicador muestra la temperatura de ajuste cuando el acondicionador de aire está en funcionamiento y las horas cuando se ha activado el temporizador. *EL INDICADOR DE LA TEMPERATURA SOLAMENTE MUESTRA LA TEMPERATURA DE AJUSTE, NO LA TEMPERATURA AMBIENTE REAL.*

### Control de la Temperatura/Temporizador

Estos botones se usan para aumentar o reducir la temperatura de ajuste en incrementos de 1°, entre 66°F hasta 88°F. Si se oprimen simultáneamente ambos botones, el indicador digital cambiará entre grados Celsius y Fahrenheit. Cuando se activa el temporizador, estos botones son usados para cambiar el ajuste de la hora en incrementos de 1, entre 00 hasta 24.



**El calor proveniente de este acondicionador de aire ha sido diseñado solamente como una fuente de calor suplementario y no sustituye a los sistemas de calefacción regulares.**

### Selector de Modo

Una luz verde indicará el modo que está siendo utilizado.

#### Modo 'Cool' (Frío) -

El acondicionador de aire circula y enfría el aire.

#### Modo 'Heat' (Calor) (Solamente los Modelos con Calor) -

El acondicionador de aire circula y calienta el aire.

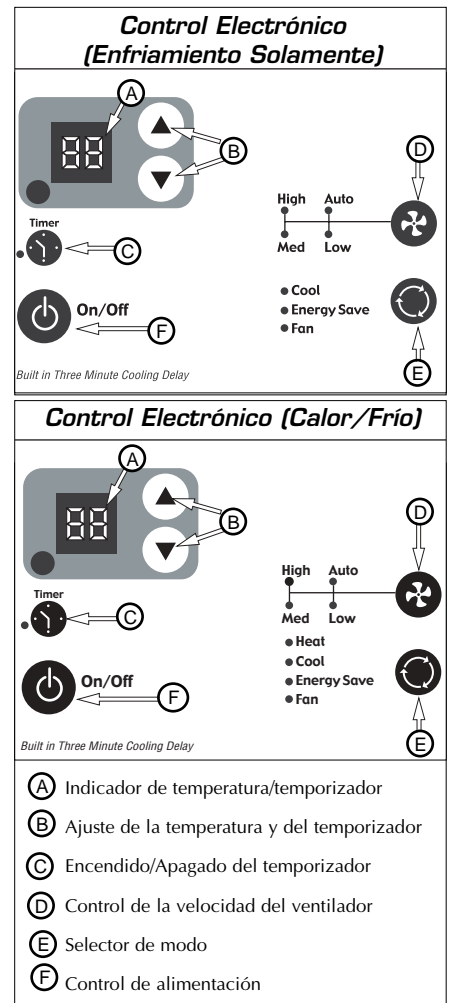
**Característica de Seguridad del Calentador -** Cuando el calentador está apagado, el ventilador de baja velocidad se activará y funcionará durante 60 segundos para asegurar la eliminación de algún calor residual, a la vez que el diodo LED 'Low Fan' (ventilador de baja velocidad) destella hasta que se detenga el ventilador de baja velocidad.

#### Modo 'Fan' (Ventilador) -

El acondicionador de aire solamente hará circular el aire.

#### Modo 'Energy Saver' (Ahorro de Energía) -

(El modo de ahorro de energía está diseñado para funcionar solamente con el modo 'Cool'). El ventilador cambiará de la velocidad de ajuste a velocidad baja cuando el compresor sea apagado por el termostato. Cuando el compresor se activa nuevamente, el ventilador volverá al ajuste original. La velocidad del ventilador cambia automáticamente según cambie la temperatura en la habitación.



### Control de la Velocidad del Ventilador - Alta, Mediana, Baja y Automática

El ajuste de la velocidad del ventilador se cambia cada vez que se oprime el botón de control de velocidad del ventilador. Una luz verde indicará el ajuste que se ha seleccionado.

Cuando se selecciona 'Auto' (Automático) y el acondicionador de aire está en el modo 'Cool' o 'Heat', la velocidad del ventilador cambiará automáticamente a medida que cambie la temperatura en la habitación. En el modo 'Cool', cuando la habitación llega a 7° o más, sobre la temperatura de ajuste, se usa 'High Fan' (Alta Velocidad), cuando la temperatura en la habitación es de 4° o menos, sobre la temperatura de ajuste, se usa 'Low Fan' (Velocidad Baja). En el modo 'Heat' cuando la habitación alcanza 7° o más, bajo la temperatura de ajuste, se usa 'High Fan', cuando la habitación alcance 4° o menos, bajo la temperatura de ajuste, se usa 'Low Fan'. En todos los otros casos el ventilador usa 'Medium Fan' (velocidad mediana).

### Control del Temporizador (El temporizador puede ser ajustado ya sea para encender o apagar el acondicionador de aire.)

**Para PONER EN MARCHA automáticamente el acondicionador de aire usando el modo 'Timer':**

1. Oprima el botón 'Timer' cuando la alimentación eléctrica esté desconectada. El indicador mostrará 00. Ajuste el indicador para que muestre el número de horas que desea que transcurran antes de la PUESTA EN MARCHA, usando las flechas de ajuste 'Temperature/Timer' (Temperatura/Temporizador).
2. El indicador mostrará la cantidad de horas que faltan para la PUESTA EN MARCHA.
3. Para salir del modo 'Timer', oprima el botón 'Timer'.
4. Una luz verde situada junto al botón 'Timer' se iluminará para indicar que el 'Timer' está activado.

**Para APAGAR automáticamente el acondicionador de aire usando el modo 'Timer':**

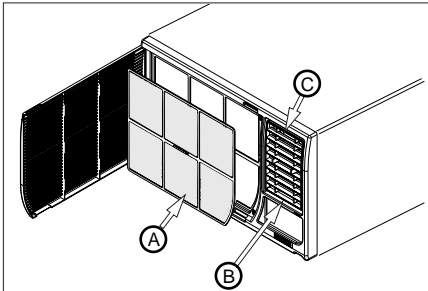
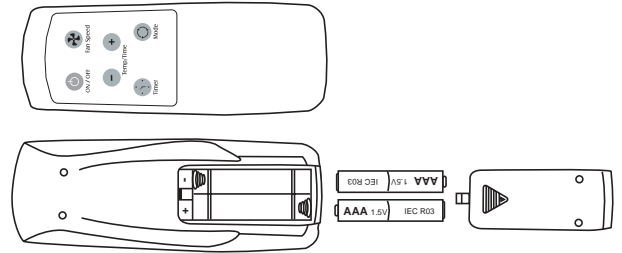
1. Oprima el botón 'Timer' cuando la alimentación eléctrica esté conectada. El indicador mostrará 00. Ajuste el indicador para que muestre el número de horas que desea que transcurran antes de que se APAGUE usando las flechas de ajuste 'Temperature/Timer' (Temperatura/Temporizador). (Después de 10 segundos, el indicador volverá automáticamente a la temperatura de ajuste.)
2. Para ver la cantidad de horas que faltan para que se APAGUE el acondicionador de aire, oprima una vez el botón 'Timer'.
3. Para salir del modo 'Timer', oprima el botón 'Timer' dos veces.
4. Una luz verde situada junto al botón 'Timer' se iluminará para indicar que el 'Timer' está activado.

## Control Remoto de Acondicionador de Aire

Las funciones trabajan igual que los controles manuales de su acondicionador de aire.

### ATENCIÓN

- Use solamente pilas AAA o IEC R03 de 1,5V.
- Retire las pilas si el control remoto no va a ser usado durante un mes o más.
- No intente recargar las pilas suministradas.
- Todas las pilas deben ser reemplazadas a un mismo tiempo.
- No incline las pilas pues pueden explotar.
- No instale las pilas con la polaridad (+/-) inversa.
- Mantenga fuera del alcance de los niños pequeños las pilas y otros artículos que puedan ser tragados. Póngase inmediatamente en contacto con un médico si un niño pequeño se traga un objeto.



- (A) Filtro
- (B) Rejillas de Ventilación
- (C) La puerta de ventilación

## Circulación del Aire sin Enfriamiento o Calefacción

1. Cierre la puerta de ventilación.
2. Gire el control maestro a 'HI FAN' (Alta Velocidad).

## Extracción del Aire sin Enfriamiento o Calefacción

1. Abra la puerta de ventilación.
2. Gire el control maestro a 'HI FAN' (Alta Velocidad).

## Dirección del Flujo del Aire

El acondicionador de aire ha sido diseñado con rejillas de ventilación ajustables para orientar el flujo de aire descargado. Las rejillas de ventilación se ajustan manualmente moviéndolas en la dirección deseada del flujo del aire.

## Limpieza del Filtro del Aire

*Limpie el filtro cada dos semanas*

1. Gire el control maestro a 'OFF' (Apagado).
2. Retire el filtro del aire abriendo el panel de entrada del aire situado en el panel decorativo delantero y sacándolo fuera del acondicionador de aire.
3. Lávelo en agua con jabón, enjuague y sacúdalo para secarlo.
4. Vuelva a colocar el filtro con la parte delantera del filtro dirigida hacia usted.
5. Para secar bien el filtro, haga funcionar el acondicionador de aire durante unos pocos minutos. Recuerde: solamente un filtro limpio puede proporcionar eficiencia y funcionar de manera correcta en todos los ajustes.



**Nota:** Si no se mantiene el filtro del aire limpio puede causar circulación deficiente del aire. NO haga funcionar el acondicionador de aire sin el filtro. Esto puede impedir que el acondicionador de aire funcione.

*El uso y cuidado adecuado de su acondicionador de aire le asegurará una vida útil prolongada. Se recomienda que inspeccione anualmente y limpie las espirales y los pasajes del agua del condensado. El costo de la inspección anual es responsabilidad del propietario.*



**Atención:** Si se apaga el acondicionador de aire espere por lo menos tres minutos antes de volver a encenderlo.



**Servicio** Para ahorrar tiempo y dinero, verifique lo siguiente antes de llamar a un centro de servicio autorizado.

**Para los modelos instalados en Norteamérica – Si necesita servicio o repuestos** Primero, realice las verificaciones recomendadas anteriormente. Si considera de que todavía es necesario servicio o repuestos, consulte la sección “Como Obtener Servicio o Repuestos bajo la Garantía” incluida en la garantía de su acondicionador de aire individual.

**Para modelos vendidos fuera de Norteamérica -** Para los acondicionadores de aire comprados para uso fuera de Norteamérica, el fabricante no ofrece ninguna garantía ya sea expresa o implícita. Consulte a su distribuidor local para cualquier garantía que ofrezca el importador en su país.

## Localización y Solución de Averías

Problema	Causa Posible	Soluciones
<b>El acondicionador de aire no funciona</b>	<ul style="list-style-type: none"> <li>• El enchufe mural está desconectado.</li> <li>• Se ha fundido un fusible o se ha disparado el disyuntor.</li> <li>• El interruptor principal está en la posición ‘OFF’ (APAGADO).</li> <li>• El acondicionador de aire fue accidentalmente apagado al mover el termostato a una temperatura más alta y luego se colocó inmediatamente en una posición más fría.</li> <li>• El acondicionador de aire se apagó y luego se encendió demasiado rápidamente.</li> <li>• El ajuste del termostato es muy bajo para enfriamiento.</li> </ul>	<ul style="list-style-type: none"> <li>✓ Inserte bien el enchufe en el tomacorriente mural.</li> <li>✓ Reemplace el fusible con un tipo de fusible con retardo o reponga el disyuntor.</li> <li>✓ Cambie el interruptor principal a la posición ‘ON’ (ENCENDIDO).</li> <li>✓ Espere aproximadamente 3 minutos. Escuche si el compresor empieza a funcionar.</li> <li>✓ Si el acondicionador de aire está apagado espere 3 minutos antes de volver a encenderlo.</li> <li>✓ Cambie el termostato a un ajuste más alto para enfriamiento.</li> </ul>
<b>El aire proveniente del acondicionador de aire no es suficientemente frío</b>	<ul style="list-style-type: none"> <li>• El selector está en la posición ‘FAN’ (Ventilador).</li> <li>• El termostato está en un ajuste demasiado caliente.</li> <li>• La temperatura de la habitación es inferior a 70°F.</li> </ul>	<ul style="list-style-type: none"> <li>✓ Coloque el selector en un ajuste ‘COOL’ (Frío).</li> <li>✓ Coloque el termostato en una temperatura más fría.</li> <li>✓ No se producirá enfriamiento hasta que la temperatura de la habitación no sea superior a 70°F.</li> </ul>
<b>El acondicionador de aire enfría, pero la habitación está demasiado tibia – se forma hielo en las espirales de enfriamiento detrás del panel decorativo delantero</b>	<ul style="list-style-type: none"> <li>• La temperatura exterior es inferior a 70°F.</li> <li>• El filtro de aire está sucio – restricción del aire.</li> <li>• El termostato está en un ajuste demasiado frío para enfriamiento nocturno.</li> </ul>	<ul style="list-style-type: none"> <li>✓ Para descongelar la espiral, coloque el selector en la posición ‘FAN’ (Ventilador). Luego coloque el termostato en una posición más caliente.</li> <li>✓ Limpie el filtro, vea la sección “Limpieza del Filtro del Aire”. Para descongelar, coloque el selector en la posición ‘FAN’ (Ventilador).</li> <li>✓ Para descongelar la espiral, coloque el selector en la posición ‘FAN’ (Ventilador). Luego coloque el termostato en una posición normal.</li> </ul>
<b>El acondicionador de aire enfría, pero la habitación está demasiado tibia – NO se forma hielo en las espirales de enfriamiento detrás del panel decorativo delantero</b>	<ul style="list-style-type: none"> <li>• Filtro de aire sucio – restricción del aire.</li> <li>• El termostato está en un ajuste demasiado caliente.</li> <li>• El selector de velocidad del ventilador está en una posición ‘LOW’ (Baja).</li> </ul>	<ul style="list-style-type: none"> <li>✓ Limpie el filtro del aire. Consulte la sección “Limpieza del Filtro del Aire”.</li> <li>✓ Coloque el termostato en un ajuste más frío.</li> <li>✓ Coloque el selector de velocidad del ventilador en ‘HI’ (ALTO) para enfriamiento máximo.</li> </ul>
<b>Se produce ruido cuando el acondicionador de aire está enfriando</b>	<ul style="list-style-type: none"> <li>• Ruido del movimiento del aire.</li> <li>• Ruido del ventilador al golpear el sistema de extracción de agua y humedad.</li> <li>• Vibración de la ventana – instalación deficiente.</li> </ul>	<ul style="list-style-type: none"> <li>✓ El sonido del aire moviéndose es normal. Si es demasiado fuerte, gire el selector a un ajuste del ventilador más bajo.</li> <li>✓ Esto es normal cuando la humedad es alta. Cierre las puertas, ventanas y rejillas de ventilación.</li> <li>✓ Consulte las instrucciones de instalación – consulte con el instalador.</li> </ul>
<b>Goteo de agua dentro del acondicionador de aire cuando está enfriando</b>	<ul style="list-style-type: none"> <li>• Instalación incorrecta.</li> </ul>	<ul style="list-style-type: none"> <li>✓ Incline ligeramente el acondicionador de aire hacia el exterior para desaguar el agua. Consulte las instrucciones de instalación – verifique con el instalador.</li> </ul>
<b>Goteo de agua fuera del acondicionador de aire cuando está enfriando</b>	<ul style="list-style-type: none"> <li>• El acondicionador de aire esta extrayendo gran cantidad de humedad de habitación.</li> </ul>	<ul style="list-style-type: none"> <li>✓ Esto es normal durante días excesivamente húmedos.</li> </ul>

**Cómo obtener servicio o piezas de garantía**

El servicio para su acondicionador de aire será provisto por CareCo con estaciones de servicio independientes CareCo autorizadas en todo el país.

Nota: Antes de solicitar servicio, lea cuidadosamente el folleto de "Instrucciones de Instalación y Uso". Luego, si necesita servicio:

1. Llame a un taller de servicio autorizado CareCo y suminístreles el número de modelo, número de serie, la fecha de compra y la naturaleza del problema. El servicio se prestará durante horas normales de trabajo. Comuníquese con su distribuidor para obtener recomendaciones sobre una estación de servicio autorizada.
2. Si su distribuidor no puede proporcionarle el nombre de un taller de servicio o si necesita otro tipo de asistencia, llame al siguiente número gratis para obtener el nombre de un taller de servicio autorizado o distribuidor de piezas autorizado:

1-800-332-6658

o escriba al:

Departamento de Servicio de CareCo  
415 W. Wabash Ave.  
Effingham, IL 62401 EE. UU.

Prueba de la fecha de compra

El establecimiento de la fecha de compra original para efectos de la garantía es responsabilidad del consumidor. Recomendamos mantener la factura de compra, el cheque cancelado o algún otro registro de pago apropiado para dicho efecto.

Garantía del acondicionador de aire

(Dentro de los 48 estados contiguos de los Estados Unidos, estado de Hawaii, Distrito de Columbia, Puerto Rico y Canadá)

**Garantía para todas las piezas (cinco años) y mano de obra**

A partir de la fecha de compra y durante un período de cinco años, CareCo, mediante sus estaciones de servicio autorizadas, reparará o reemplazará sin costo alguno para el propietario o usuario, cualquier pieza que presente daños de material o mano de obra derivados del uso normal del producto. Es responsabilidad del propietario facilitar el acceso al acondicionador de aire para realizar los servicios de reparación.

Nota: En caso de que se requiera reemplazar una pieza mientras la garantía está vigente, se utilizarán los repuestos de CareCo los cuales continuarán en vigencia solamente durante el resto del período de garantía de la unidad.

**Excepciones**

La garantía antes indicada no cubre las fallas de funcionamiento causadas por daños que sufra la unidad mientras ésta esté en posesión del usuario (excluyendo los daños causados por defecto o funcionamiento defectuoso), o por la instalación incorrecta, o la utilización indebida de la unidad, incluyendo pero sin limitarse a ello, la negligencia en proporcionar el mantenimiento necesario y adecuado o en seguir las "instrucciones de Instalación y Uso" indicadas por escrito. En caso de utilizarse la unidad para fines comerciales, de negocios, de arriendo u otro uso o aplicación que no sea el uso del consumidor, no otorgamos garantía explícita ni implícita, incluyendo, pero sin limitarse a, toda garantía implícita de negociabilidad o idoneidad para un uso o finalidad particular.

LAS SOLUCIONES EXPUESTAS EN LA GARANTIA ANTERIOR SON EXCLUSIVAS. SE RECHAZA CUALQUIER OTRA GARANTIA YA SEA EXPRESA O IMPLICITA, INCLUYENDO, PERO SIN LIMITARSE A ELLO, TODAS LAS GARANTIAS DE COMERCIABILIDAD O IDONEIDAD PARA UN FIN EN PARTICULAR DURANTE CINCO AÑOS A PARTIR DE LA FECHA DE COMPRA. BAJO NINGUNA CIRCUNSTANCIA CARECO SE HARA RESPONSABLE POR NINGUN DAÑO DIRECTO, INDIRECTO O CONSECUENCIAL, SIN IMPORTAR LA CAUSA DE LA ACCION, AUN CUANDO CARECO HAYA SIDO ADVERTIDO CON ANTERIORIDAD DE LA POSIBILIDAD DE DICHOS DAÑOS. NO SE OFRECE NINGUNA GARANTIA EXPRESA O IMPLICITA A COMPRADORES DESPUES DE LA REVENTA.

Algunos estados no permiten limitar el tiempo de duración de una garantía implícita ni permiten excluir ni limitar los daños incidentales o emergentes, de modo que las limitaciones o exclusiones antes indicadas podrían no aplicarse en su caso. Esta garantía le otorga derechos legales específicos. Usted podría tener también otros derechos que pueden variar de estado a estado.

Administrado a:

CareCo 415 Wabash Avenue, Effingham, Illinois 62401

## IMPORTANT

ALIMENTATION ÉLECTRIQUE ET  
MESURES DE SÉCURITÉ

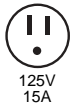
### Avertissement



#### CALIBRE RECOMMANDÉ DES CONDUCTEURS

(selon le code du bâtiment) :

CAPACITÉ DU FUSIBLE	CALIBRE DES CONDUCTEURS
15 A	N° 14 ou plus gros
20 A	N° 12 ou plus gros
30 A	N° 10 ou plus gros



125V  
15A



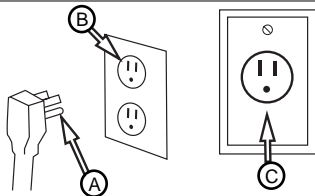
250V  
20A



250V  
15A



250V  
30A



(A) Fiche de branchement à trois broches (liaison à la terre). Ne pas modifier la fiche de branchement.

(B) Prises de courant murales à trois alvéoles (liaison à la terre).

(C) Prise de courant murale simple avec liaison à la terre.

### Risque de choc électrique ⚠

- Brancher l'appareil uniquement sur une prise de courant électrique reliée à la terre.
- Ne pas utiliser avec cet appareil un câble de rallonge ou un adaptateur de fiche.
- Ne pas faire fonctionner cet appareil lorsque le panneau de façade est enlevé.
- Le non-respect de ces précautions peut entraîner choc électrique, incendie ou blessures.
- Si les paramètres d'alimentation électrique sur la plaque signalétique sont 115 volts et 7,5 A ou plus, il faut que l'appareil soit protégé par son propre fusible ou disjoncteur, et aucun autre appareil ne devrait être branché sur le même circuit d'alimentation. Si la plaque signalétique du climatiseur indique qu'il doit être alimenté sous 230 volts, il faut que l'appareil soit protégé par son propre fusible ou disjoncteur, et aucun autre appareil ne devrait être branché sur le même circuit d'alimentation.
- Il est recommandé qu'un électricien qualifié installe l'appareil conformément aux prescriptions du code national des installations électriques et des codes et règlements locaux applicables.
- Ne pas faire fonctionner ce climatiseur si le circuit d'alimentation n'est pas protégé par un fusible ou disjoncteur chronométré de capacité convenable. Pour les caractéristiques d'alimentation électrique, voir la plaque signalétique de l'appareil.
- Utiliser uniquement des conducteurs en cuivre et dispositifs de protection de calibre et de capacité adéquate.
- Ne pas modifier le cordon d'alimentation ou la fiche de branchement. N'enlever aucune étiquette d'avertissement fixée sur le cordon d'alimentation.

### Liaison à la terre - Exigences importantes ⚠

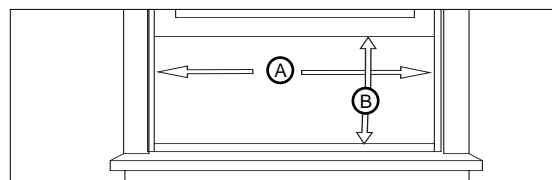
- Pour la protection des utilisateurs contre les risques de choc électrique, le climatiseur comporte un cordon d'alimentation muni d'une fiche de branchement à trois broches (liaison à la terre) qu'on doit brancher sur une prise de courant murale à trois alvéoles convenablement reliée à la terre. Pour un modèle dont la demande de courant est de 7,5 A ou moins, utiliser une prise de courant murale reliée à la terre de même configuration que la fiche de branchement.
- Pour un modèle dont la demande de courant est supérieure à 7,5 A, utiliser une prise de courant simple avec liaison à la terre, de même configuration que la fiche de branchement.

### Mesures de sécurité additionnelles ⚠

- Ne pas couper, modifier ou enlever aucun des composants de polystyrène expansé (matériel isolant blanc) placés à l'intérieur du climatiseur.
- Ne jamais remiser ou utiliser d'essence ou autre produit inflammable liquide ou gazeux au voisinage des appareils ou de tout autre appareil ménager. Les vapeurs émises pourraient entraîner un risque d'incendie ou d'explosion.
- N'introduire aucun objet dans la zone de décharge de l'air; ceci pourrait provoquer une détérioration non réparable de l'appareil.
- Ne verser aucun liquide sur le climatiseur; ceci pourrait entraîner une anomalie de fonctionnement. Pour le nettoyage de l'appareil, utiliser un chiffon humide.
- Lors du nettoyage du climatiseur, éviter d'employer un solvant énergétique.
- Pour éviter une obstruction et un échauffement excessif, nettoyer le filtre du climatiseur à intervalles de deux semaines.
- Veiller à ne pas obstruer les entrées d'air du climatiseur; ceci provoquerait un échauffement excessif et le déclenchement des dispositifs de sécurité qui provoquent l'arrêt de l'appareil.
- Ne pas bloquer la circulation de l'air vers les claires-voies extérieures de la caisse.
- Ne pas bloquer la circulation de l'air au voisinage de l'appareil, à l'intérieur (stores, rideaux, meubles), ou à l'extérieur (arbustes, enceintes ou autre bâtiment).
- Ne pas faire fonctionner le climatiseur lorsque la housse de protection est en place. Ceci pourrait faire subir des dommages mécaniques au climatiseur.

### Dimensions de la fenêtre

Ce climatiseur a été configuré à l'usine pour l'installation dans une fenêtre à guillotine standard (double) offrant une largeur libre de 68,3 cm (26,875 po) à 105,7 cm (41,625 po) et une hauteur libre d'au moins 39,7 cm (15,625 po) (depuis le bas de l'ouvrant mobile jusqu'au seuil de fenêtre). On peut installer l'appareil dans une fenêtre offrant une largeur libre de 3/8 po, après dépose des joints latéraux.



(A) 60 cm (23-5/8 po) à 105,7 cm (41-5/8 po) (B) 39,7 cm (15,625 po) min.

### Outillage nécessaire



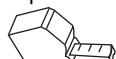
Tournevis



Clé à cliquet



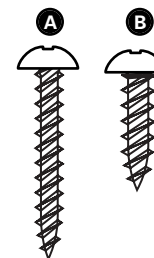
Niveau



Ruban à mesurer

### Contenu de l'ensemble d'installation

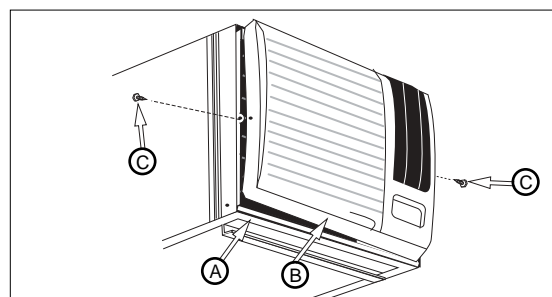
No.	Nom de la pièce	Q'té
(A)	Vis a bois - 25mm (1 po)	1
(B)	Vis a bois 15.875mm (5/8 po)	5



## Installation dans un frente

### Enlèvement du panneau de façade décoratif

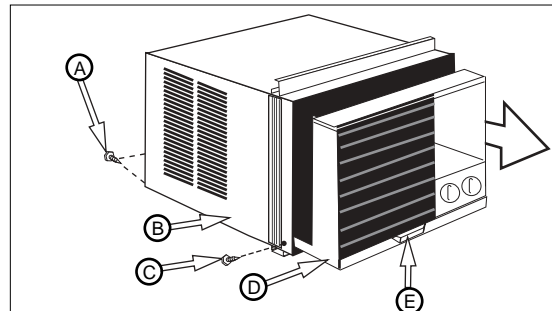
1. Retirer les vis de chaque côté de la caisse.
2. Tirer avec précaution vers l'avant tout tenant bien les deux côtés du panneau de façade.



(A) Caisse (B) Vis de phillips (C) Panneau de façade décoratif

### L'enlèvement du châssis

1. En bas, à l'arrière de la caisse, sur les côtés, enlever les deux (2) vis placées avant l'expédition.
2. En bas, à l'avant, sur les côtés de la caisse, ôter les deux (2) vis antivol. CONSERVER CES VIS; elles seront réutilisées durant l'installation.
3. Faire glisser le châssis pour le faire sortir de la caisse – saisir la poignée du plateau et tirer vers l'avant.



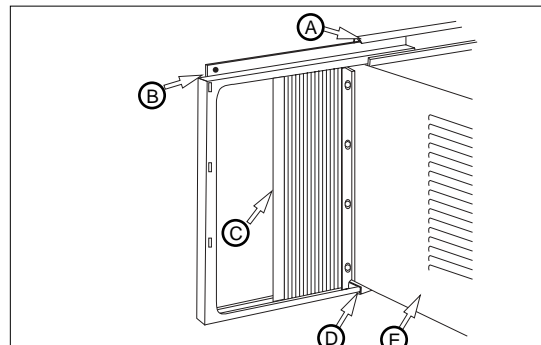
(A) Vis utilisées pour l'expédition (B) Caisse (C) Vis antivol (D) Châssis (E) Poignée

### Installation des panneaux de remplissage

1. Faire coulisser le cadre du panneau de remplissage sur la caisse du climatiseur en utilisant les tringles supérieure et inférieure de l'appareil. Faire coulisser le cadre aussi près que possible du climatiseur de manière que le rideau se verrouille en place.
2. Tirer sur le cadre avec précaution jusqu'à ce qu'il se trouve à la bonne longueur.



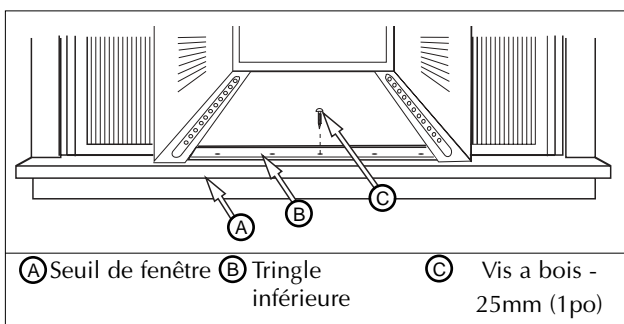
**Travailler prudemment au voisinage des arêtes exposées de la caisse et des arêtes acérées de l'échangeur de chaleur, pour éviter de se blesser ou de déchirer les vêtements.**



(A) Tringle supérieure (B) Cadre du panneau de remplissage (C) Bord de verrouillage (D) Tringle inférieure (E) Caisse

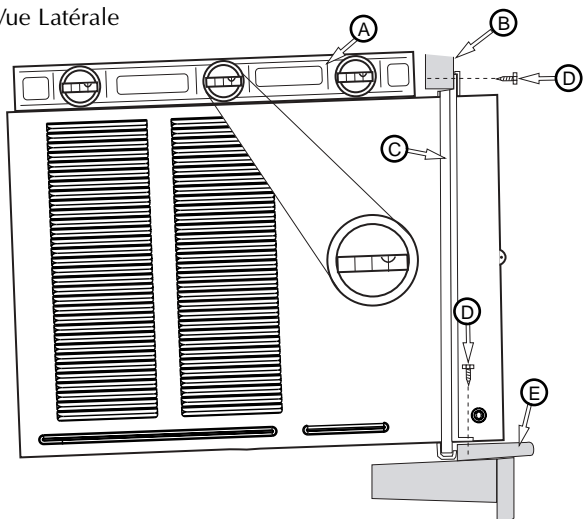
## INSTALLATION

INSTALLATION  
DANS UNE FENÊTRE

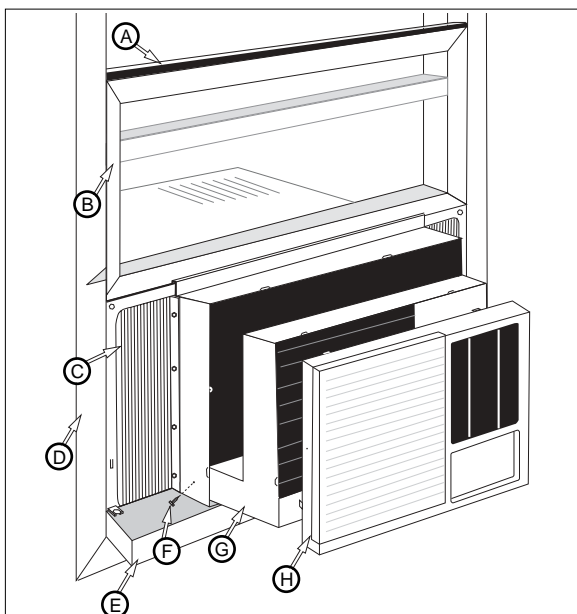


- (A) Seuil de fenêtre (B) Tringle inférieure (C) Vis à bois - 25mm (1po)

Vue Latérale



- (A) Niveau (B) Ouvrant inférieur (C) Panneau d'obturation (D) Vis à bois - 5/8 po (E) Seuil de fenêtre



- (A) Joint en mousse (B) Ouvrant inférieur (C) Panneau d'obturation (D) Moulure (E) Seuil de fenêtre (F) Vis antiviol (G) Châssis du climatiseur (H) Panneau de façade décoratif

### Installation dans un frente

- Ouvrir la fenêtre et marquer la position du centre sur le seuil de fenêtre. Positionner prudemment la caisse dans la fenêtre; aligner le trou central de la tringle inférieure avec la marque de centrage tracée sur le seuil de fenêtre.
- Abaisser l'ouvrant inférieur de la fenêtre pour le placer au contact de la caisse, derrière la tringle de retenue supérieure. (Ne pas lâcher la caisse avant que l'ouvrant inférieur soit à sa position finale.)
- Fixer la caisse sur le seuil de la fenêtre : placer une vis de 1 po à travers la tringle inférieure, dans le seuil de fenêtre.

Veiller à ce que la caisse demeure inclinée vers l'extérieur. Il faut que le climatiseur soit légèrement incliné vers l'extérieur, vers le bas (bulle du niveau décalée de 1/2 bulle); cette légère inclinaison vers l'extérieur empêchera l'eau de pénétrer dans la pièce.

### Installation des panneaux de remplissage

- Faire coulisser les panneaux de remplissage vers l'extérieur pour les placer en contact avec le fond des rainures verticales des chambranles de fenêtre.
- Immobiliser chaque panneau de remplissage au sommet avec des vis de 5/8 po placées dans l'ouvrant à travers les trous de montage supérieurs.
- Immobiliser le bas des panneaux de remplissage avec des vis de 5/8 po placées dans le seuil de fenêtre à travers les onglets des panneaux de remplissage.
- Installer le châssis dans la caisse.



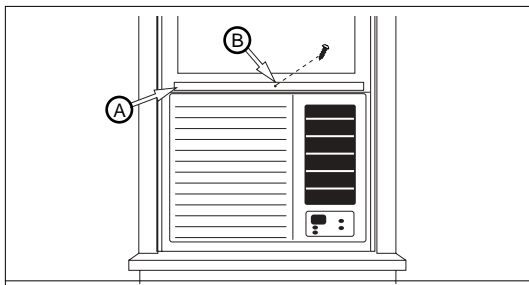
**Veiller à ne pas obstruer les entrées d'air du climatiseur; ceci provoquerait un échauffement excessif et le déclenchement des dispositifs de sécurité qui provoquent l'arrêt de l'appareil. Ne pas bloquer la circulation de l'air au voisinage de l'appareil, à l'intérieur (stores, rideaux, meubles), ou à l'extérieur (arbustes, enceintes ou autre bâtiment).**

### Installation du châssis dans la caisse

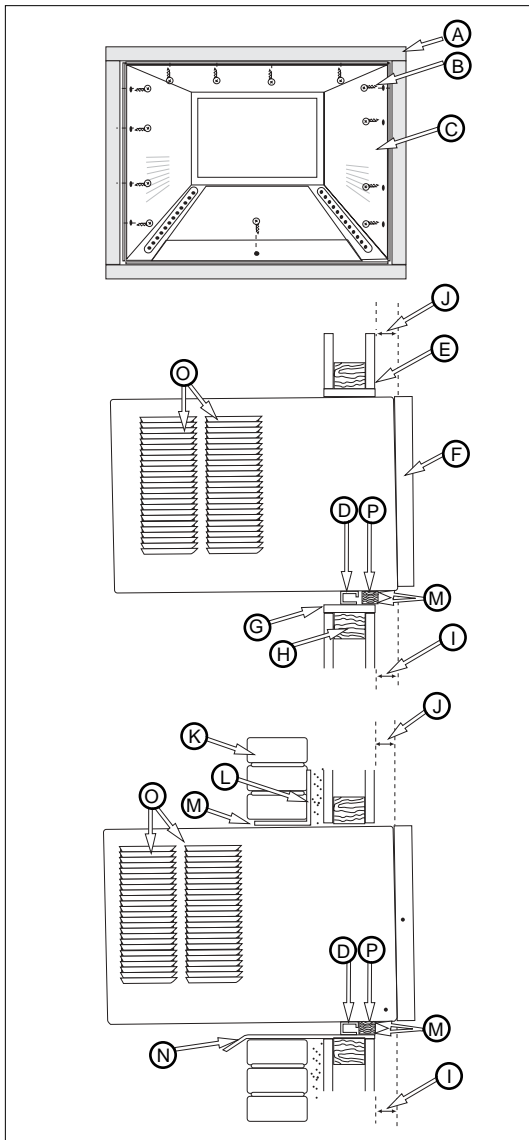
- Faire glisser le châssis dans la caisse.
- Placer le sommet du panneau de façade décoratif à sa position normale; pivoter vers l'arrière, vers l'appareil, pour provoquer l'emboîtement et la mise en place. Réinstaller la vis de retenue derrière le panneau d'admission d'air.
- Réinstaller les deux vis antiviol en bas, à l'avant, sur les côtés de la caisse.
- Couper des joints en mousse de plastique à la longueur correspondant à la largeur de la fenêtre; installer ces joints entre les panneaux ouvrants mobiles supérieur et inférieur de la fenêtre.
- Utiliser un calfeutrant pour remplir toute ouverture mineure.



**Ne jamais percer un trou dans le plateau de récupération inférieur. L'appareil est conçu pour fonctionner avec environ 13 mm (1/2 po) d'eau dans le plateau de récupération.**



(A) Tringle superior (B) Vis a bois - 25mm (1po)



- |  |  |
|--|--|
| (A) Encadrement en bois  | (H) Encadrement en bois – 5 cm x 5 cm (2 po x 2 po), tout autour |
| (B) Vis à bois – 1 po  | (I) Espace –3,8 cm (1-1/2 po)                                    |
| (C) Caisse   | (J) Espace –3,2 cm (1-1/4 po)                                    |
| (D) Tringle inférieure   | (K) Parement de briques  |
| (E) l'intérieur de la pièce  | (L) Cornière de linteau  |
| (F) Panneau de façade décoratif  | (M) Calfeutrage  |
| (G) Support en bois – minimum 2,5 x 15,2 cm (1 x 6 po) (fixation sur l'encadrement en bois par clous ou vis) | (N) Solin (égouttement de l'eau)                                 |
|  | (O) Claires-Voies latérales                                      |
|  | (P) Panneau de bois  |

## Installation de la caisse dans une fenêtre de largeur minimale

1. Ne pas installer les panneaux de remplissage sur la caisse du climatiseur.
2. Voir les étapes 1 à 7 des instructions précédentes.
3. Abaisser l'ouvrant jusqu'au contact avec la caisse, derrière la tringle supérieure du climatiseur.
4. Assujettir l'ouvrant inférieur avec le châssis de la fenêtre (utiliser clous, vis à bois ou brides en équerre).
5. S'il reste des espaces à remplir sur les côtés du climatiseur, les remplir avec des morceaux en polystyrène ou mousse de plastique, coupés à la taille appropriée (des deux côtés).
6. Utiliser un calfeutrant pour remplir toute ouverture mineure.
7. Installer le châssis dans la caisse.

Pour une autre configuration d'installation, demander les instructions appropriées à l'importateur ou au revendeur agréé.

## Installation à travers un mur

La conception de ce climatiseur permet son extraction hors de la caisse par coulissement, ce qui permet l'emploi de la caisse comme gaine murale pour l'installation à travers un mur – bâtiment existant ou construction neuve. Nous recommandons que ce type d'installation soit exécuté avec l'assistance d'un professionnel.

- **IMPORTANT** : Lors de l'installation de cet appareil, on doit respecter les prescriptions du code du bâtiment, du code des installations électriques, et des règlements locaux en vigueur.
  - Pour éviter des blessures, employer les techniques de levage appropriées, et demander la participation d'un assistant.
  - Il est important de vérifier le bon état du mur dans lequel le climatiseur sera installé.
  - Vérifier que le mur peut soutenir le poids du climatiseur.
  - Toutes les claires-voies de la caisse du climatiseur **DOIVENT SE TROUVER** à l'extérieur du mur. **VEILLER À NE PAS OBSTRUER LES CLAIRES-VOIES LATÉRALES.**
  - La caisse doit être d'aplomb latéralement, et légèrement inclinée vers l'extérieur.
1. Enlever d'abord le panneau de façade décoratif, puis retirer le châssis de la caisse. Ôter la tringle supérieure de la caisse.
  2. Déterminer les dimensions de l'ouverture que devra former un encadrement en bois : ajouter 3,2 mm (1/8 po) à la largeur et à la hauteur de la caisse. Mesurer la hauteur depuis le sommet de la caisse jusqu'à la limite inférieure de la tringle. Ajouter cette dimension à l'épaisseur des barres en bois utilisées pour la réalisation de l'encadrement. Ceci déterminera la taille de l'ouverture nécessaire dans le mur. Pour la réalisation de l'encadrement, utiliser du bois épais d'au moins 2,5 mm (1 po). Pour déterminer la largeur finale de l'encadrement, tenir compte du fait que les claires-voies latérales de la caisse doivent être totalement dégagées.
  3. Installer l'encadrement en bois dans l'ouverture murale; contrôler l'aplomb et l'équerrage; fixer solidement par clous ou vis sur le mur, et placer la caisse dans l'ouverture de l'encadrement réalisée dans le mur.
  4. Veiller à ce que la caisse dépasse en saillie à l'intérieur de la pièce, de 3,2 cm (1-1/4 po) au sommet et de 3,8 cm (1-1/2 po) en bas; ceci produira l'inclinaison appropriée et permettra l'accès aux vis antivol. Fixer ensuite la caisse à l'encadrement à l'aide de douze (12) vis à bois de 1 po (non fournies), à travers des trous percés dans la caisse.

Si le bâtiment comporte un parement de briques, on devra utiliser une cornière en acier pour soutenir les briques au-dessus de la caisse du climatiseur.

5. Après l'installation de la caisse, calfeutrer toutes les ouvertures à l'intérieur et l'extérieur entre l'encadrement en bois et la caisse, pour empêcher l'introduction d'humidité à l'intérieur du mur. L'emploi d'un solin (flashing) contribuera également à empêcher l'eau de s'introduire à l'intérieur du mur.
6. Installer le châssis du climatiseur dans la caisse.

## Tableau de commande électronique

### Commande marche/arrêt

Ce bouton commande la mise en marche et l'arrêt de l'appareil.

### Affichage température/minuterie

Cet afficheur présente la température de réglage lorsque le climatiseur fonctionne, et la durée lors du réglage de la période de minutage. L'INDICATION DE TEMPÉRATURE CORRESPOND À LA TEMPÉRATURE DE RÉGLAGE, ET NON PAS À LA TEMPÉRATURE RÉELLE DANS LA PIÈCE.

### Commandes de température/minuterie

Ces boutons permettent d'augmenter ou diminuer la température de réglage par intervalle de 0,6 °C (1 °F), entre 19 et 31 °C (66 et 88 °F). Si on appuie simultanément sur les deux boutons, l'affichage de température permute entre degrés Celsius et degrés Fahrenheit. Lors du réglage de la minuterie, ces boutons font changer le réglage de l'heure, par intervalle d'une heure, entre 00 et 24.

### Sélecteur de mode

Un témoin vert indique quel mode est actuellement utilisé.

**Mode de refroidissement** – Circulation de l'air avec refroidissement.

**Mode de chauffage (seulement pour un modèle avec chauffage)** –

Cet appareil peut réchauffer l'air qu'il fait circuler.

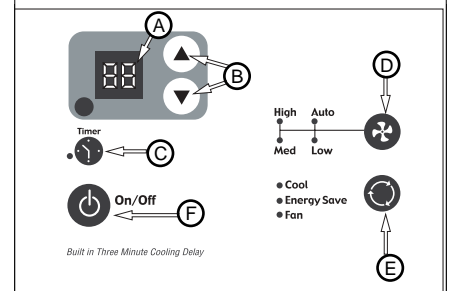
Mesure de sécurité pour la fonction de chauffage – Lorsqu'on interrompt l'alimentation de l'élément chauffant, le ventilateur continue à fonctionner (basse vitesse) pendant 60 secondes pour l'évacuation du résidu de chaleur, tandis que le témoin DEL vitesse basse clignote jusqu'à l'arrêt du ventilateur.

**Mode de ventilation** – L'appareil ne fait que circuler l'air.

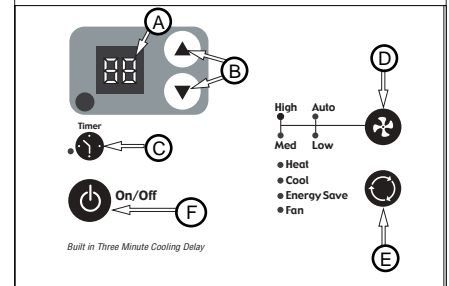
**Mode d'économie d'énergie** –

La fonction «économie d'énergie» n'est utilisée qu'avec le mode de refroidissement. Lorsque le compresseur cesse de fonctionner sur commande du thermostat, le ventilateur adopte automatiquement la **VITESSE BASSE**, quelle que soit la vitesse de rotation initialement sélectionnée. Lors de la remise en marche du compresseur sur commande du thermostat, le ventilateur adopte de nouveau la vitesse de rotation initialement sélectionnée. La vitesse du ventilateur change automatiquement, selon l'évolution de la température dans la pièce.

### Tableau de commande électronique (refroidissement seulement)



### Tableau de commande électronique (chauffage/refroidissement)



- (A) Affichage température/minuterie
- (B) Réglage température/minuterie
- (C) Minuterie – marche/arrêt
- (D) Ventilateur – sélecteur de vitesse
- (E) Sélecteur de mode
- (F) Commande marche/arrêt

### Sélecteur de la vitesse du ventilateur – élevée, moyenne, basse et autom.

Chaque pression sur le bouton fait changer la vitesse sélectionnée pour le fonctionnement du ventilateur. Un témoin vert indique quelle vitesse est actuellement sélectionnée.

Lorsque le mode Autom. est sélectionné, durant le fonctionnement du climatiseur au mode de refroidissement ou de chauffage, la vitesse du ventilateur change automatiquement en fonction de la température qui règne dans la pièce. Au mode de refroidissement, lorsque la température dans la pièce est supérieure de 4 °C (7 °F) ou plus à la température de réglage, la vitesse élevée du ventilateur est utilisée; lorsque la température dans la pièce est supérieure de 2 °C (4 °F) ou moins à la température de réglage, la vitesse basse est utilisée. Au mode de chauffage, lorsque la température dans la pièce est inférieure de 4 °C (7 °F) ou plus à la température de réglage, la vitesse élevée du ventilateur est utilisée; lorsque la température dans la pièce est inférieure de 2 °C (4 °F) ou moins à la température de réglage, la vitesse basse est utilisée. Dans toutes les autres circonstances, le ventilateur utilise la vitesse moyenne.

**⚠ La fonction de chauffage de cet appareil ne lui permet de fonctionner que comme source de chaleur d'appoint, en plus d'un système de chauffage standard.**

## Minuterie (la minuterie peut commander la mise en marche ou l'arrêt de l'appareil)

**Pour commander automatiquement la MISE EN MARCHE de l'appareil à l'aide de la minuterie :**

1. Appuyer sur le bouton de la minuterie alors que l'appareil N'est PAS ALIMENTÉ. L'afficheur présentera 00. Effectuer avec les touches fléchées le réglage de la valeur affichée pour indiquer le nombre d'heures de la période d'attente avant la MISE EN MARCHE du climatiseur sur commande de la minuterie.
2. L'afficheur présentera la durée (en heures) de la période restante avant la MISE EN MARCHE.
3. Pour quitter le mode «minuterie», appuyer sur le bouton Timer/Minuterie.
4. Un témoin vert près du bouton Timer/Minuterie indique que la minuterie est active.

**Pour commander automatiquement l'ARRÊT de l'appareil à l'aide de la minuterie :**

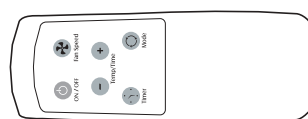
1. Appuyer sur le bouton de la minuterie alors que l'appareil est ALIMENTÉ. L'afficheur présentera 00. Effectuer avec les touches fléchées le réglage de la valeur affichée pour indiquer le nombre d'heures de la période d'attente avant l'ARRÊT du climatiseur sur commande de la minuterie. (Après 10 secondes, l'afficheur présentera de nouveau la température de réglage.)
2. Pour afficher la durée de la période restante avant l'ARRÊT du climatiseur, appuyer une fois sur la touche Timer/Minuterie.
3. Pour quitter le mode «minuterie», appuyer deux fois sur le bouton Timer/Minuterie.
4. Un témoin vert près du bouton Timer/Minuterie indique que la minuterie est active.

## Télécommande de Climatiseur

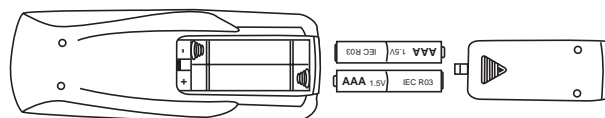
Les commandes fonctionnent de la même façon que les commandes à touche de votre climatiseur.

### AVERTISSEMENTS

- Utilisez seulement de piles AAA ou IEC R03 de 1,5 volts.
  - Retirez les piles si la télécommande n'est pas utilisée pendant plus d'un mois.
  - N'essayez pas de recharger les piles fournies.
  - Toutes les piles doivent être remplacées en même temps.
  - Ne jetez pas les piles dans un feu, elles pourraient exploser.
  - Lors de l'installation de la pile, veillez à respecter la polarité (+/-).
- Veiller à ce qu'un jeune enfant ne puisse avoir accès aux piles ou à d'autres petits objets qu'il pourrait avaler. Contacter immédiatement un médecin si un jeune enfant avale un objet de petite taille.



Piles: Enlevez le couvercle à l'arrière de la télécommande à distance et insérez les piles, leurs bornes (+) et (-) se dirigeant dans la bonne direction.



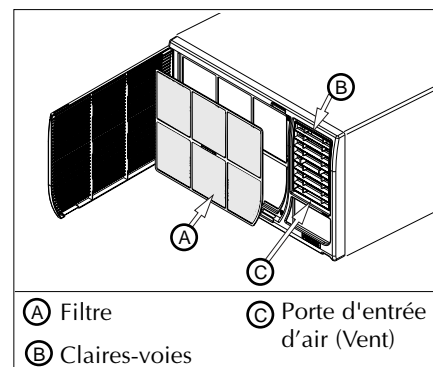
## Orientations du jet d'air

L'appareil comporte des claires-voies orientables, ce qui permet de diriger l'écoulement de l'air déchargé. On exécute manuellement le réglage de l'orientation à l'aide de manettes.

## Nettoyage du filtre à air

Nettoyer le filtre à intervalles de deux semaines

1. Placer le bouton de sélection principal à la position OFF/ARRÊT.
2. Ôter le filtre à air : Ouvrir le panneau d'admission d'air du panneau de façade décoratif; retirer le filtre de l'appareil.
3. Laver le filtre dans de l'eau chaude savonneuse; rincer et bien secouer.
4. Réinstaller le filtre; l'avant du filtre doit être placé vers l'opérateur.
5. Pour faire sécher le filtre, faire fonctionner l'appareil pendant quelques minutes. On doit se souvenir que seul un filtre propre permet à l'appareil de fonctionner convenablement et de fournir son efficacité maximum pour toutes les positions de réglage.



**Remarque :** Un filtre encrassé réduira la circulation de l'air. NE PAS faire fonctionner l'appareil si le filtre n'est pas installé. Ceci peut faire subir une défaillance au climatiseur.

Un entretien approprié du climatiseur en maximisera la longévité. On recommande de faire effectuer annuellement une inspection et un nettoyage des échangeurs de chaleur et des passages de condensat. Le coût de cet entretien annuel est à la charge du propriétaire de l'appareil.



## Guide de diagnostic

Symptôme	Causes possibles	Solutions
Le climatiseur ne fonctionne pas	<ul style="list-style-type: none"> <li>Fiche de branchement débranchée.</li> <li>Fusible grillé ou disjoncteur ouvert.</li> <li>Commutateur d'alimentation à la position d'ARRÊT.</li> <li>Arrêt accidentel de l'appareil lorsqu'on a fait tourner le bouton du thermostat vers la température élevée et qu'on l'a immédiatement ramené vers la température basse.</li> <li>Processus trop rapide d'arrêt/remise en marche.</li> <li>Refroidissement pas possible pour la température sélectionnée par le thermostat.</li> </ul>	<ul style="list-style-type: none"> <li>✓ Enfoncer fermement la fiche dans la prise de courant murale.</li> <li>✓ Remplacer le fusible par un fusible temporisé, ou réarmer le disjoncteur.</li> <li>✓ Placer le commutateur à la position de ON/MARCHE.</li> <li>✓ Attendre environ 3 minutes. Écouter le son de mise en marche du compresseur.</li> <li>✓ Après un arrêt du climatiseur, attendre 3 minutes avant la remise en marche.</li> <li>✓ Modifier le réglage du thermostat pour obtenir un refroidissement.</li> </ul>
L'air rejeté par l'appareil n'est pas suffisamment froid	<ul style="list-style-type: none"> <li>Bouton de sélection à la position FAN/VENTILATION.</li> <li>Température trop élevée sélectionnée par le thermostat.</li> <li>Température de la pièce inférieure à 21 °C (70 °F).</li> </ul>	<ul style="list-style-type: none"> <li>✓ Placer le bouton de sélection à la position COOL/REFROIDISSEMENT.</li> <li>✓ Sélectionner une température plus basse avec le thermostat.</li> <li>✓ Un refroidissement ne peut pas se produire avant que la température de la pièce ne s'élève à plus de 21 °C (70 °F).</li> </ul>
L'appareil produit un refroidissement, mais la température dans la pièce demeure trop élevée – formation de glace sur l'échangeur de chaleur, derrière le panneau de façade décoratif	<ul style="list-style-type: none"> <li>Température à l'extérieur inférieure à 21 °C (70 °F).</li> <li>Filtre encrassé – bloque la circulation de l'air.</li> <li>Le thermostat sélectionne une température trop basse pour le refroidissement nocturne.</li> </ul>	<ul style="list-style-type: none"> <li>✓ Pour dégivrer l'échangeur de chaleur, placer le bouton de sélection à la position FAN/VENTILATION. Sélectionner ensuite une température plus élevée avec le thermostat.</li> <li>✓ Nettoyer le filtre. Voir la section «Nettoyage du filtre à air.» Pour le dégivrage, sélectionner la position FAN/VENTILATION.</li> <li>✓ Pour le dégivrage de l'échangeur de chaleur, sélectionner la position FAN/VENTILATION. Ensuite, sélectionner une position normale sur le thermostat.</li> </ul>
L'appareil produit un refroidissement, mais la température dans la pièce demeure trop élevée – PAS de formation de glace sur l'échangeur de chaleur, derrière le panneau de façade décoratif	<ul style="list-style-type: none"> <li>Filtre encrassé – bloque la circulation de l'air</li> <li>Thermostat réglé pour une température trop élevée</li> <li>Vitesse LOW/BASSE sélectionnée pour le ventilateur</li> </ul>	<ul style="list-style-type: none"> <li>✓ Nettoyer le filtre. Voir la section «Nettoyage du filtre à air.</li> <li>✓ Sélectionner une plus basse température avec le thermostat.</li> <li>✓ Sélectionner la vitesse HIGH/ÉLEVÉE pour le ventilateur, pour un refroidissement maximum.</li> </ul>
Émission de bruits durant le fonctionnement au mode de refroidissement	<ul style="list-style-type: none"> <li>Son dû à la circulation de l'air</li> <li>Son du ventilateur heurtant le système d'évacuation de l'humidité</li> <li>Vibration de la fenêtre – installation médiocre</li> </ul>	<ul style="list-style-type: none"> <li>✓ Il est normal qu'on perçoive le son de circulation de l'air. S'il est trop élevé, sélectionner une plus basse vitesse pour le ventilateur.</li> <li>✓ Ceci est normal lorsque l'humidité est élevée. Fermer les portes, les fenêtres et les bouches d'entrée d'air.</li> <li>✓ Voir les instructions d'installation – Consulter l'installateur.</li> </ul>
Égouttement d'eau à l'intérieur lors de l'utilisation au mode de refroidissement	<ul style="list-style-type: none"> <li>Installation incorrecte</li> </ul>	<ul style="list-style-type: none"> <li>✓ Incliner légèrement le climatiseur vers l'extérieur pour permettre l'écoulement de l'eau. Voir les instructions d'installation – Consulter l'installateur.</li> </ul>
Égouttement d'eau à l'extérieur lors de l'utilisation au mode de refroidissement	<ul style="list-style-type: none"> <li>Extraction d'une grande quantité d'humidité dans la pièce par l'appareil.</li> </ul>	<ul style="list-style-type: none"> <li>✓ Ceci est normal lorsque l'atmosphère est très humide.</li> </ul>

**Comment obtenir des réparations ou pièces dans le cadre de la garantie**

Le service après-vente pour votre climatiseur sera assuré par CareCo, une division du fabricant qui dispose d'un réseau de centres de service agréés indépendants dans tout le pays.

Remarque: Avant de demander une intervention, lisez attentivement le livret d'instructions d'installation et d'utilisation. Si vous devez ensuite avoir recours au service après-vente:

1. Appelez un centre de service après-vente agréé CareCo en indiquant le numéro de modèle, le numéro de série, la date de l'achat et la nature du problème. La réparation sera effectuée pendant les heures ouvrables. En cas de besoin, demandez à votre revendeur les coordonnées d'un centre de service après-vente agréé.
2. Si votre revendeur n'est pas en mesure de vous indiquer les coordonnées d'un centre de service après-vente agréé ou si vous avez besoin d'une autre assistance quelconque, appelez sans frais le numéro suivant pour obtenir les coordonnées d'un centre de service après-vente ou distributeur de pièces agréé:

1-800-332-6658

Vous pouvez également écrire à:  
CareCo, Service Department  
415 W. Wabash Ave., P.O. Box 200  
Effingham, IL 62401 É.-U.

**Preuve de la date de l'achat**

Il incombe au client de fournir la preuve de la date de l'achat initial pour des raisons tenant à la garantie. Nous vous recommandons de conserver dans ce but une facture, un chèque annulé ou tout autre document approprié apportant la preuve du règlement.

**Garantie du climatiseur**

(Applicable dans les 48 États-Unis limitrophes, l'état d'Hawaï, le District de Columbia, à Porto-Rico, au Canada)

**Garantie complète (cinq ans) sur les pièces et la main d'oeuvre**

Pour une période de cinq ans suivant la date d'achat par l'acheteur original, CareCo s'engage, par le biais de ses postes de service agréés et sans aucun frais de la part de l'acheteur ou de tout utilisateur subséquent, à réparer ou remplacer toute pièce défectueuse dans la matière ou la fabrication dans des conditions normales d'utilisation. Un accès rapide au conditionneur d'air pour en permettre l'entretien est la responsabilité du propriétaire.

Remarque: Dans le cas où tout remplacement de pièces est requis dans les limites de temps de cette garantie, les pièces de rechange de CareCo sont usagées et ne sont garanties que pour la période restante de la garantie originale.

**Exceptions**

La garantie susmentionnée ne couvre pas les défaillances causées par des dommages subis par l'appareil tant qu'il est en votre possession (autres que les dommages dus à un défaut ou à un dérèglement), par son installation incorrecte ou par une utilisation déraisonnable de l'appareil, y compris, entre autres, l'absence d'entretien régulier et nécessaire ou le non-respect des instructions écrites d'installation et d'utilisation. Si l'appareil est utilisé à des fins commerciales, de location ou autres que domestiques, nous n'offrons aucune garantie expresse ou tacite, y compris, entre autres, des garanties tacites de qualité marchande ou d'adaptation à un usage ou objet particulier.

LES RECOURS STIPULÉS DANS LA GARANTIE EXPRESSE SUSMENTIONNÉE REPRÉSENTENT LES SEULS RECOURS EXCLUSIFS DISPONIBLES. IL N'EXISTE AUCUNE AUTRE GARANTIE EXPRESSE. TOUTES LES GARANTIES IMPLICITES, Y COMPRIS À TITRE NON LIMITATIF TOUTES GARANTIES IMPLICITES DE QUALITÉ LOYALE ET MARCHANDE ET D'UTILITÉ PARTICULIÈRE, SONT LIMITÉES À CINQ ANS À PARTIR DE LA DATE DE L'ACHAT INITIAL. CareCo NE SAURAIT EN AUCUN CAS ÊTRE TENU RESPONSABLE POUR LES DOMMAGES INDIRECTS, SECONDAIRES OU ACCESSOIRES, SANS ÉGARD À LA CAUSE, MÊME AU CAS OÙ CareCo AURAIT ÉTÉ PRÉVENU DE LA POSSIBILITÉ DE TELS DOMMAGES. AUCUNE GARANTIE, EXPRESSE OU IMPLICITE, N'EST OFFERTE À UN ACHETEUR QUELCONQUE EN CAS DE REVENTE.

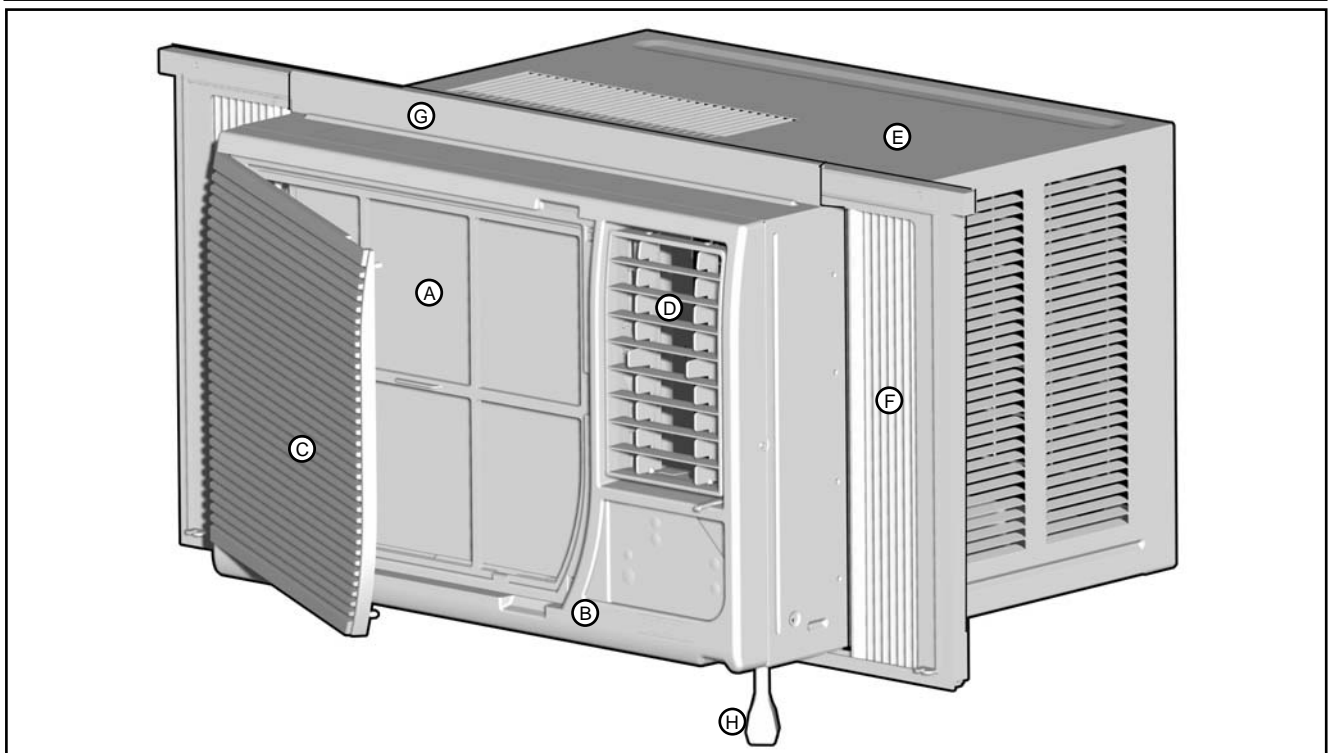
Certains états n'autorisent pas les limitations de durée des garanties tacites, ni les exclusions ou limitations frappant les dommages accessoires ou indirects. Il se peut donc que les exclusions ou limitations susmentionnées ne vous soient pas opposables. La présente garantie vous confère des droits précis; vous pouvez également jouir d'autres droits qui varient d'un état à l'autre.

CareCo 415 Wabash Avenue, Effingham, Illinois, 62401





Features / Características / Caractéristiques



- (A) Filter / Filtro / Filtre
- (B) Decorative Front / Panel Decorativo Delantero / Panneau de façade décoratif
- (C) Air Intake Panel / Panel de Entrada del Aire / Panneau d'admission d'air
- (D) Adjustable Louvers / Rejillas de Ventilación ajustables / Claires-voies orientables
- (E) Cabinet / Gabinete / Caisse
- (F) Filler Panels / Panel de Relleno / Panneau de remplissage
- (G) Top Bar / Barra Superior / Tringle supérieure
- (H) Power Cord / Cordón / Le cordon d'alimentation

Types of Installation / Tipos de Instalación / Types d'installation

<p>Standard Window Installation (Page 3)                  Instalación en Ventana Estándar (Página 11)                  Installation dans une fenêtre standard (page 19)</p>	<p>Minimum Width Window installation (Page 5)                  Instalación en Ventana de Ancho Mínimo (Página 13)                  Installation dans une fenêtre de largeur minimale (page 21)</p>	<p>Through the wall installation (Page 5)                  Instalación Empotrado en una Pared (Página 13)                  Installation à travers un mur (page 21)</p>
---	--	--