

This Owner's Manual is provided and hosted by [Appliance Factory Parts](#).



FEDDERS hfe4018ndf Owner's Manual

[Shop genuine replacement parts for FEDDERS
hfe4018ndf](#)

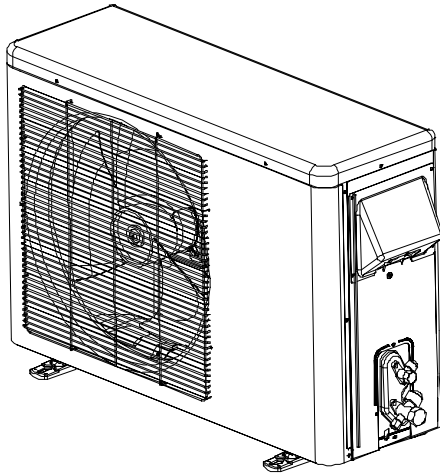
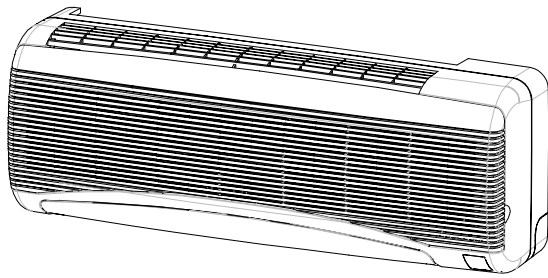


[Find Your FEDDERS Air Conditioner Parts - Select From 1517 Models](#)

----- Manual continues below -----

FEDDERS[®] Ductless Split Air Conditioner

Installation & Operation Manual



For additional questions please call
1-217-347-6459
or e-mail: customerservice@fedders.com

⚠ WARNING ⚠

This unit should only be installed by a qualified HVAC technician in accordance with the National Electrical Code and local codes and ordinances.

Failure to follow these precautions could result in electrical shock, fire, death or serious personal injury.

TABLE OF CONTENTS

INSTALLATION	
SAFETY PRECAUTIONS	1
WIRING DIAGRAMS	2
PARTS LIST	3
SELECTING A LOCATION	4
INDOOR UNIT INSTALLATION	
Mounting the wall bracket	5
Drilling the tubing access hole	5
Removing the base cover	6
Attaching the indoor unit to the wall bracket	6
Wiring the indoor unit	6
Cutting tubing and cables	7
Connecting the tubing to the indoor unit	7
OUTDOOR UNIT INSTALLATION	
Locating the outdoor unit	8
Installing the outdoor unit	8
Connecting wiring to the outdoor unit	9
Connecting tubing to the outdoor unit	10
Checking for refrigerant leakage	10
Evacuating air from the tubing and indoor unit	10
Opening the service valves for operation	10
Restraining the tubing	10
FINAL INSTALLATION	
Re-installing the base cover	11
Switching on the power supply	11
OPERATION	
IMPORTANT SAFETY PRECAUTIONS	12
FEATURES	12
REMOTE CONTROL OPERATION	13
Starting the air conditioner	13
Setting the timer	14
Select mode	15
Select settings	16
MAINTENANCE	
Cleaning the air filters	17
Supplemental air filter	17
Cleaning the cabinet	18
Changing remote control batteries	18
TROUBLESHOOTING	19
WARRANTY	20

IMPORTANT SAFETY PRECAUTIONS



WARNING



Electrical Shock Hazard



- This unit should only be installed by a qualified HVAC technician in accordance with the National Electrical Code and local codes and ordinances
- Failure to follow these precautions could result in electrical shock, fire, death or serious personal injury
- Use copper conductors of correct wire gauge and protector size only

Important Grounding Requirements

- Do not operate this air conditioner without proper time delay circuit protection (circuit breaker or fuse). Refer to serial plate for proper power supply requirements.
- This air conditioner requires a separate power supply on a separate fused circuit
- To avoid possible electrical shock, air conditioner must be properly grounded



WARNING



This symbol indicates the possibility of death or serious personal injury



CAUTION



This symbol indicates the possibility of personal injury or property damage



WARNING



Additional Safety Precautions

- **Do not** store or use gasoline or other flammable vapors and liquids in the vicinity of this or any other appliance. The fumes can create a fire hazard or explosion.
- **Do not** introduce objects in the air discharge area. This could cause permanent damage to your unit.
- **Do not** operate without filter
- **Do not** obstruct the air intake area of your air conditioner, as this could cause overheating, thus activating the unit's security switch and shutting off the unit
- **Do not** block air circulation to outside louvers of cabinet
- **Do not** block air flow inside with blinds, curtains, or furniture, or outside with shrubs, enclosures, or other buildings
- **Do not** run the air conditioner with an outside protective cover in place. This could result in fire or mechanical damage within the air conditioner.
- **Clean the air conditioner filter every two weeks to avoid overheating caused by air obstruction**
- Use two or more people to move and install air conditioner. Failure to do so can result in back or other injury.

Electrical Specifications

BTU	Voltage Evaporator	Voltage Condenser	Max Fuse Amps	Power Source Wiring Gauge	Signal Wiring Gauge
9,000	24VDC*	115v	15	14 awg	18 awg (min)
12,000	24VDC*	230v	15	14 awg	18 awg (min)

* Voltage to the Evaporator is supplied by the Condenser



WARNING



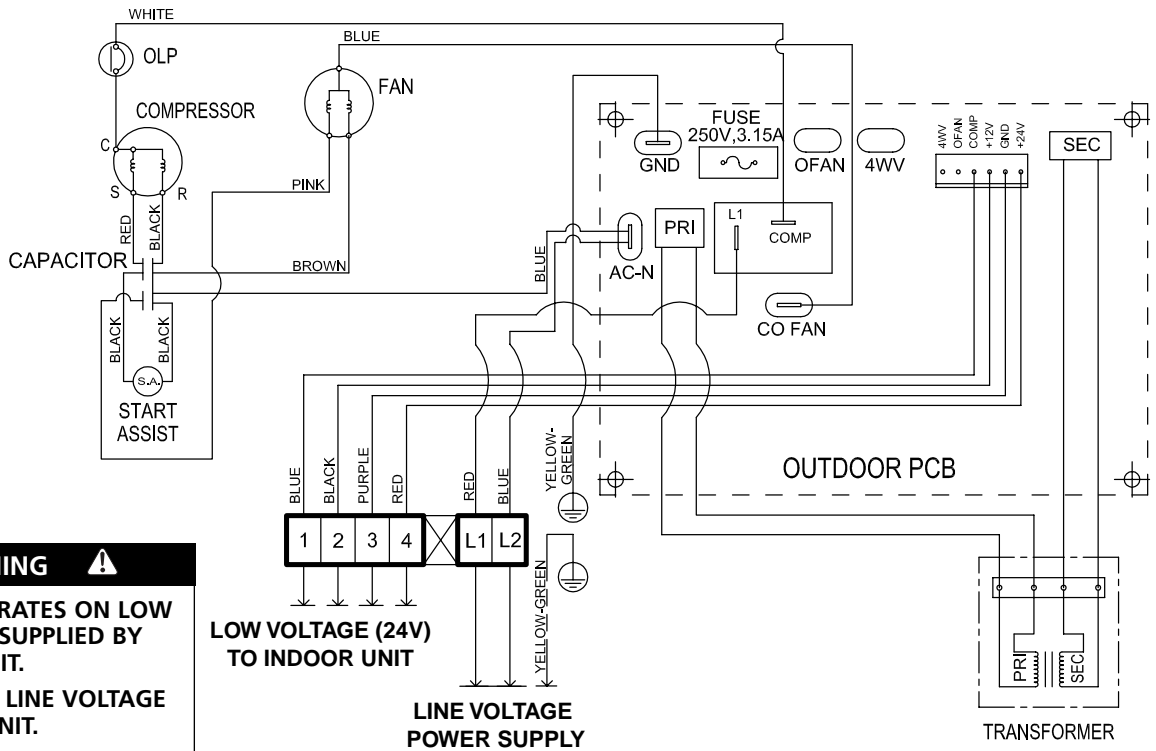
INDOOR UNIT OPERATES ON LOW VOLTAGE (24VDC) SUPPLIED BY THE OUTDOOR UNIT.

DO NOT CONNECT LINE VOLTAGE TO THE INDOOR UNIT.

Wiring diagrams

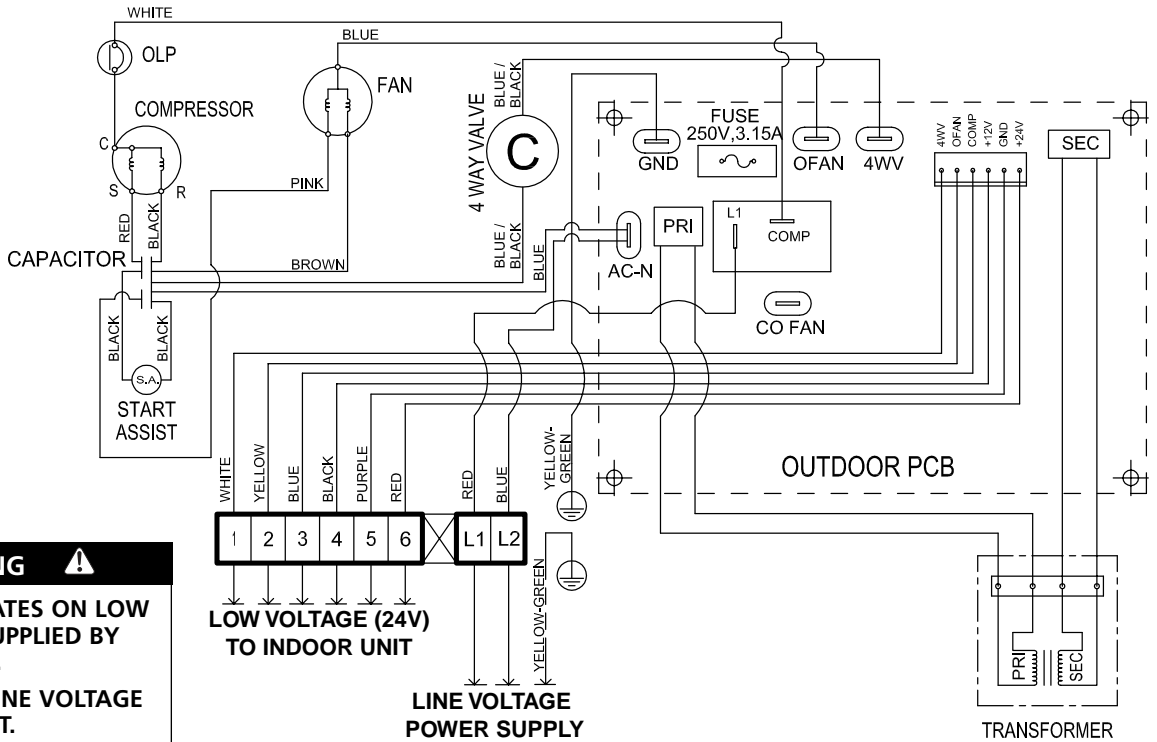
Below are wiring diagrams for both cool only and heat pump units

Cool only unit



⚠ WARNING ⚠
INDOOR UNIT OPERATES ON LOW VOLTAGE (24VDC) SUPPLIED BY THE OUTDOOR UNIT.
DO NOT CONNECT LINE VOLTAGE TO THE INDOOR UNIT.

Heat pump unit

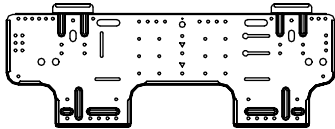

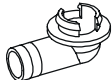

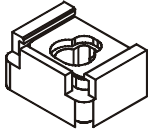
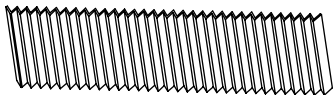

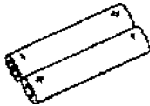



⚠ WARNING ⚠
INDOOR UNIT OPERATES ON LOW VOLTAGE (24VDC) SUPPLIED BY THE OUTDOOR UNIT.
DO NOT CONNECT LINE VOLTAGE TO THE INDOOR UNIT.

PARTS LIST

Parts list

A number of installation parts have been packed with the indoor unit. Please check the contents of the box with the list below.

Description	Illustration	Quantity
Wall bracket		1
Screws for mounting wall bracket		6
Drain adapter (heat pump models only)		1
Gasket (heat pump models only)		1
Base leg dampers		4
Purifying filters		2
Remote control		1
AAA batteries (for remote control)		2
Remote control holder		1

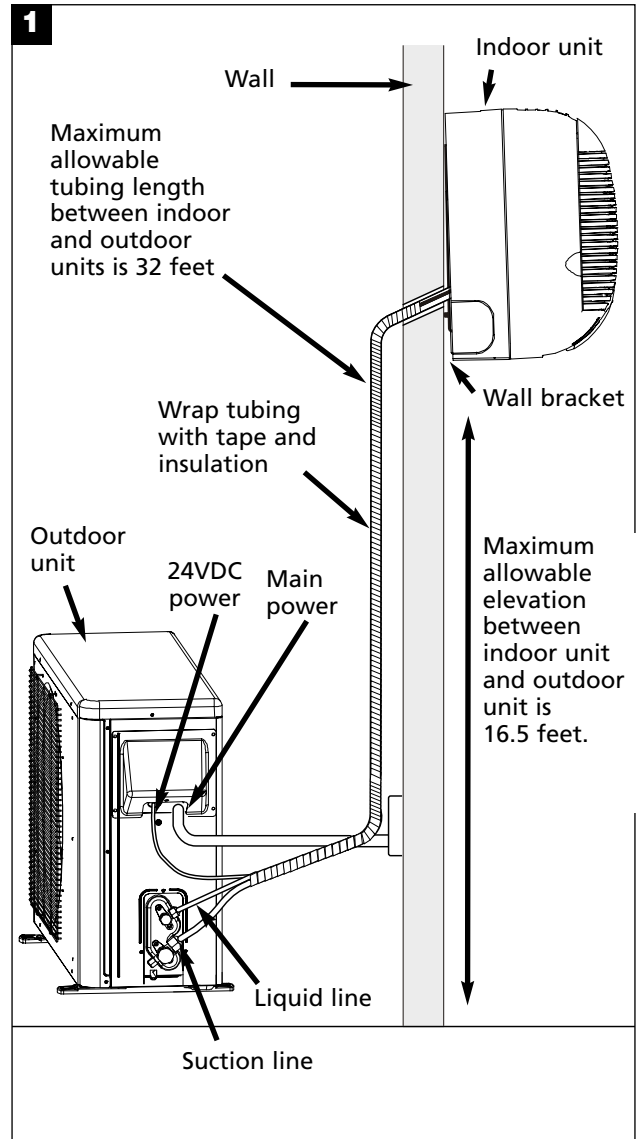
Before beginning installation, consider the placement of both the indoor and outdoor units. It is important to correctly measure the distance the tubing will need to travel between the two units.

Select a location for the outdoor unit

- Make sure you do not block the discharge area of the outdoor unit with plants or debris
- Do not install either unit near any source of heat, steam or flammable gas
- Locate the unit in a location where it can be easily maintained

Select a location for the indoor unit

- Locate the indoor unit in a place where it will provide cool air throughout the room
- Locate the indoor unit in a place where the unit's airflow will not be obstructed
- The wall that the indoor unit is mounted to must be structurally sound and able to support the weight of the unit
- It is preferable to locate the indoor unit on an outside wall where there will be access to adequate drainage or a drain source
- Place the unit so that the air filter can be removed easily and maintenance work can be performed without interference
- Maintain minimum distances from walls, ceiling, and floor illustrated in figure 3 on page 5 of this manual



CAUTION

Tubing Line Length and Refrigerant Charge

Each indoor unit comes with a refrigerant charge that is sufficient for use with tubing up to 16.4 feet. If the required length of connecting tubing exceeds 16.4 feet, add 0.23 oz/ft of refrigerant for each additional foot.

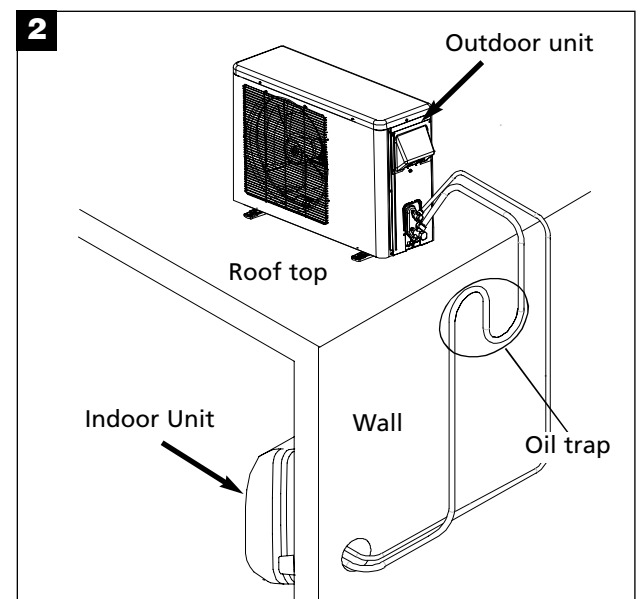
The maximum allowable tubing length between indoor unit and outdoor unit is 32 feet.

CAUTION

Unit Elevation

If the outdoor unit is placed higher than the indoor unit, an oil trap should be installed every 12 feet in the suction line.

The maximum allowable elevation between indoor and outdoor is 16.5 feet.



Mounting the wall bracket

- Secure the wall bracket directly to the wall and into wall studs using screws provided as shown in figure 3
- **Make sure the wall bracket is horizontally level when mounted**
- If wall studs are not available, it is recommended to use a toggle bolt or similar drywall anchor
- If you are mounting the bracket on a concrete wall, use anchor bolts to secure the top of the bracket to the wall
- Do not overtighten the bottom two screws causing the bracket to bend. There should be a .20 inch gap between the bracket and wall

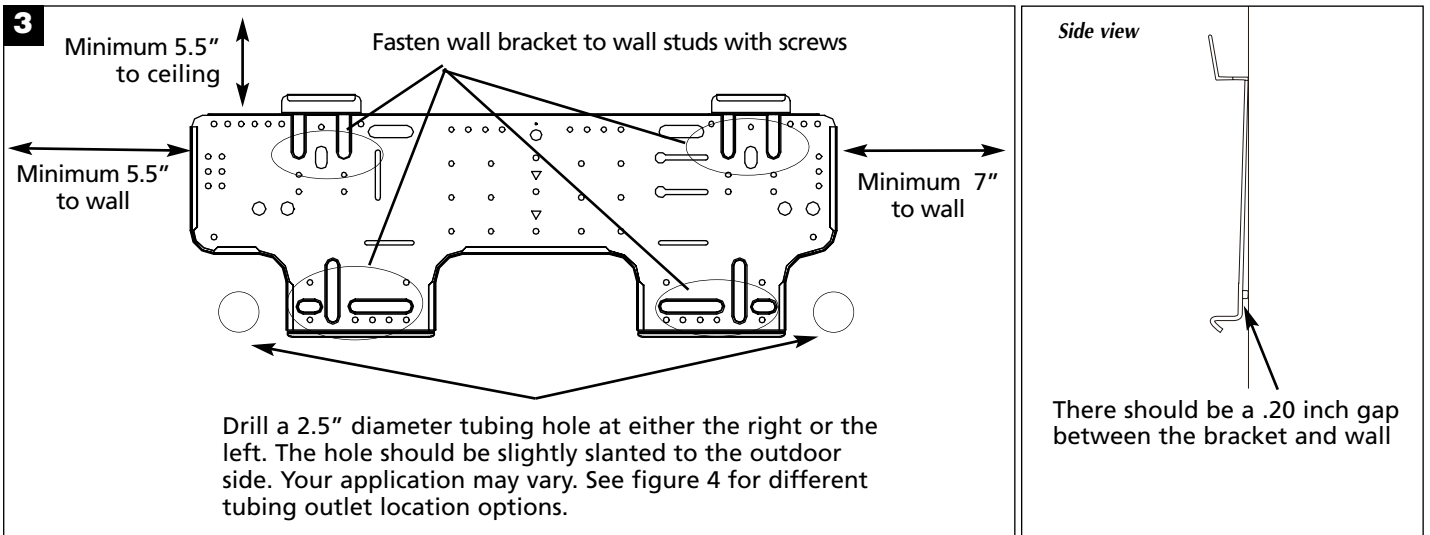


CAUTION



Make sure the wall bracket is level.

If the wall unit is not mounted level, condensate water will leak from the unit and can damage walls and/or carpet underneath.

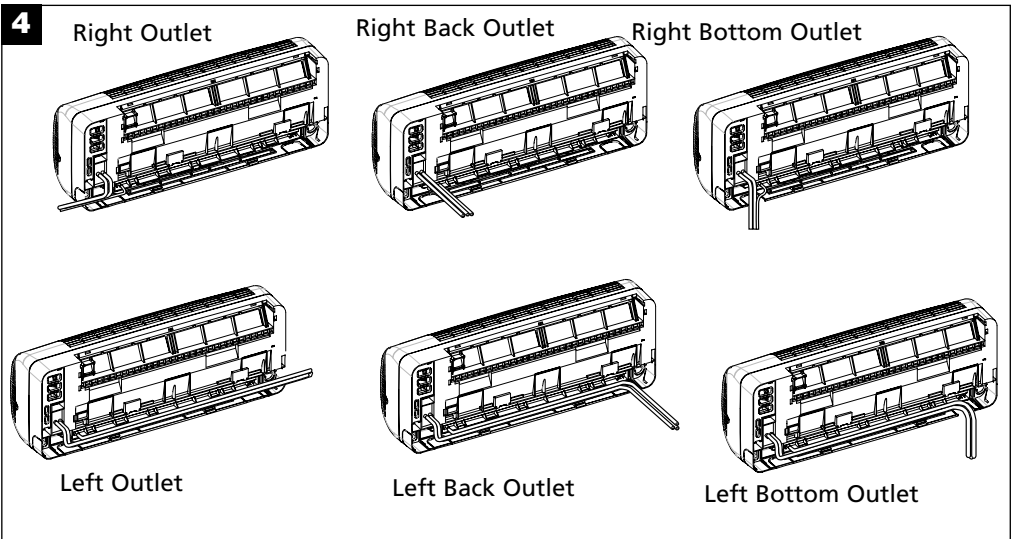


Drill the tubing access hole

Drill a 2.5" diameter tubing access hole to route the tubing to the outdoor unit. The hole should be slightly slanted to the outdoor side.

A typical installation will use a Right or Left back outlet as illustrated in figure 3.

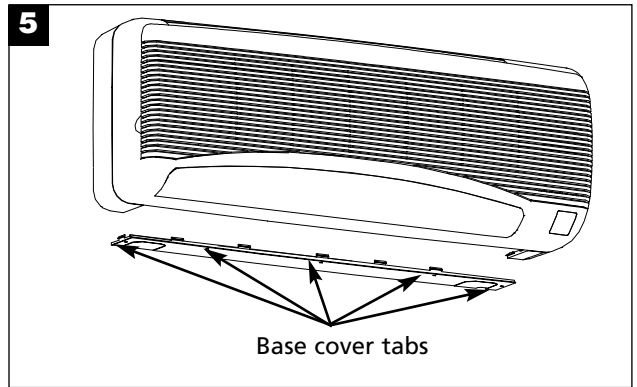
See figure 4 for different configurations to suit your application.



Removing the base cover

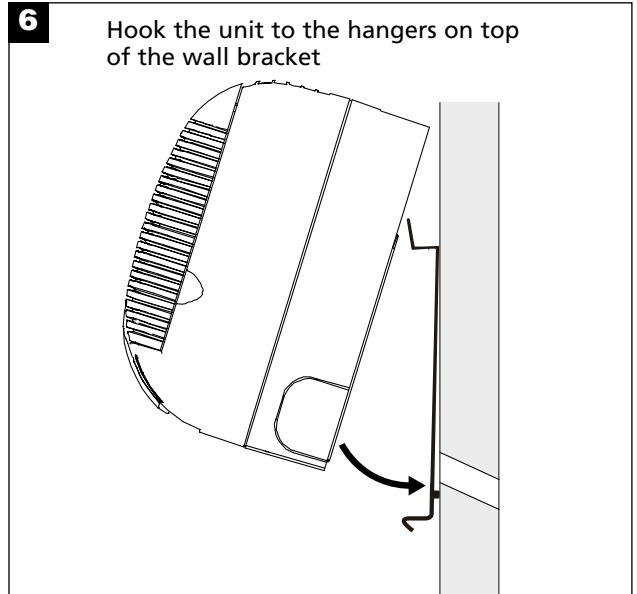
Remove the base cover to access tubing and wire connections.

- Use a flat head screwdriver to un-latch the base cover tabs from the indoor unit. The tab locations are indicated by 'triangle' markings on the base plate.
- Do not twist the screwdriver to dislodge the base cover from the indoor unit; doing so will damage the plastic part



Attaching the indoor unit to the wall bracket

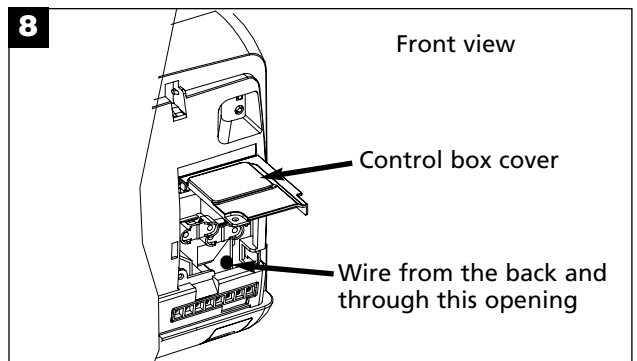
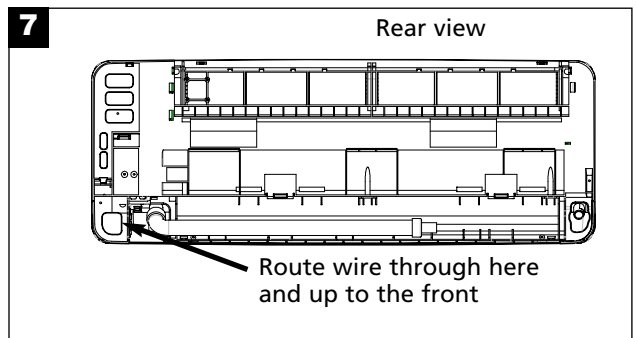
- Wiring connections to the indoor unit must be completed before attaching it to the wall bracket
- Hook the unit onto the hangers on top of the wall bracket
- Ensure that the unit is level
- Ensure that the drain hose, tubing, and connecting wires are aligned and in the proper position



Wiring the indoor unit (24VDC)

Connect the wires to the indoor unit by opening the decorative front grille and following these steps:

- Remove the screw that secures the control box cover
- Connect the wiring as shown on the wiring diagrams on page 2 (a wiring diagram can also be found on the unit)
- Route the wiring from the back and up through the opening in the front as shown in figure 7
- Ensure all terminals are securely tightened



Cutting Tubing And Cables

- Measure the distance between the indoor and outdoor units
- Cut tubing about 10% longer than the measured distance
- Cut electrical wires at least 6.5 feet longer than the measured distance.



CAUTION



Remove burrs from the edges of the cut tubing. If burrs are not removed, they may cause refrigerant leakage when in operation.



CAUTION



Any bend in the tubing must have a minimum radius of 4" (100mm) to prevent leakage. Bend tubes with caution.

Do not remove the flare nut from the tubing in the indoor unit until you are ready to connect it to the outdoor unit.

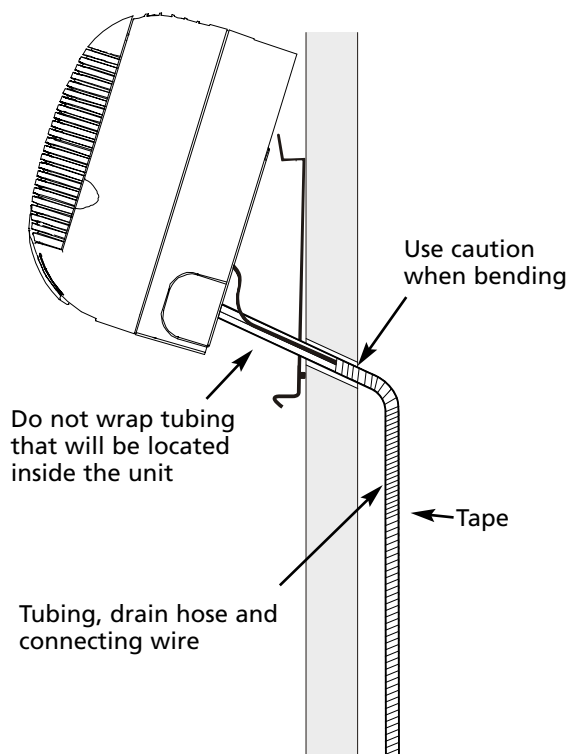
Connecting the tubing to the indoor unit

- Sufficiently tighten the flare nut with fingers, then tighten the flare nut with torque wrench according to the table in figure 9
- Wrap all exposed tubing with tape. Do not wrap tubing that will be located inside the unit.
- Pass the tubing, drain hose and connecting wire through the wall with the drain hose on the bottom
- Make sure all tubing, drain hose, and connecting wire angle downwards as they pass through and exit the wall

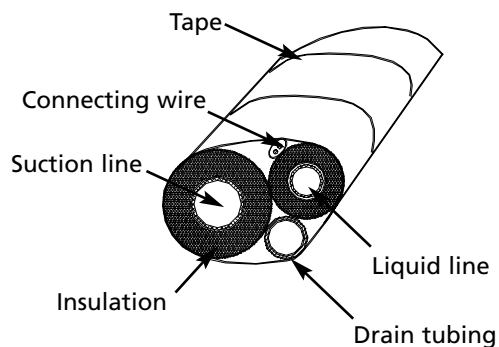
9

Tube diameter	Torque lb. ft. (N.m.)
1/4" (6.35 mm)	9.36 - 14.23 (12.7 - 19.3)
1/2" (12.70 mm)	36.06 - 45.00 (48.9 - 61.0)
3/8" (9.52 mm)	26.25 - 32.75 (35.6 - 44.4)

10



11



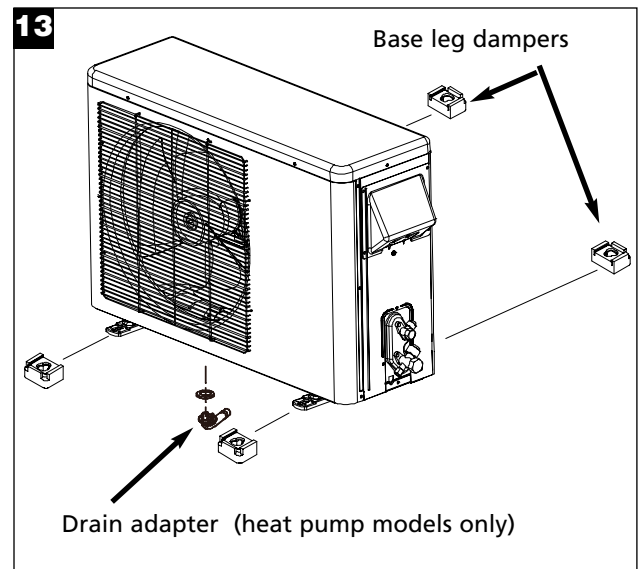
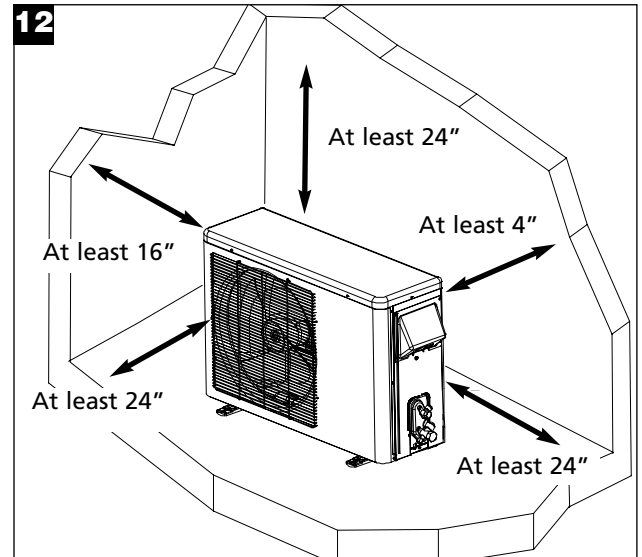
Liquid line and suction line should both be insulated. Drain tubing outside the unit should also be insulated.

Locating the outdoor unit

- Locate the outdoor unit where the air flow around it will not be obstructed
- Check that the base is level and does not exceed the maximum slope of five degrees
- Secure the unit to a base with anchor bolts to reduce vibrations and noise
- Allow adequate space to access the unit for service and maintenance
- Maintain a minimum distance around the unit as shown in figure 12
- Do not install the unit near a heat source, steam source or flammable gas
- Heatpump units should be mounted above the snow line, if possible

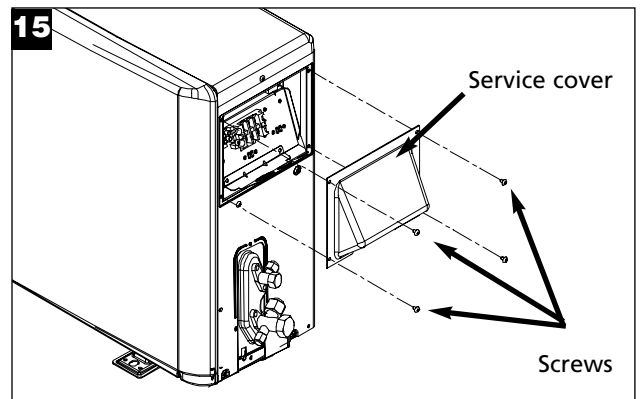
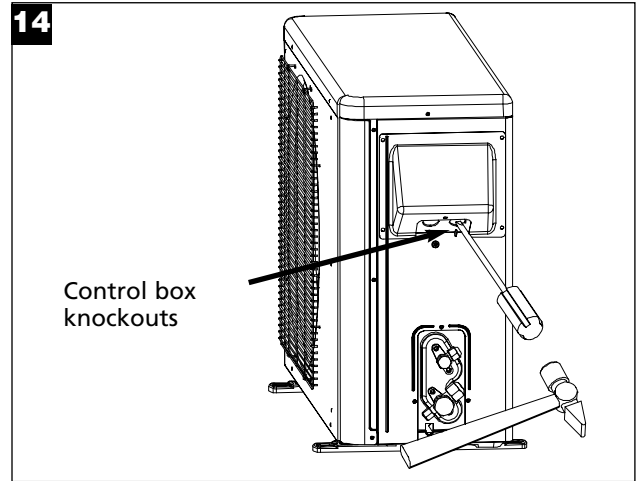
Installing the outdoor unit

- Attach the base leg dampers by sliding the damper slots onto the base of the outdoor unit as shown in figure 13
- Attach the drain gasket and drain adapter to the base pan of the unit before you secure the unit (applicable to heat pump models only) as shown in figure 13
- Fasten the unit onto the base



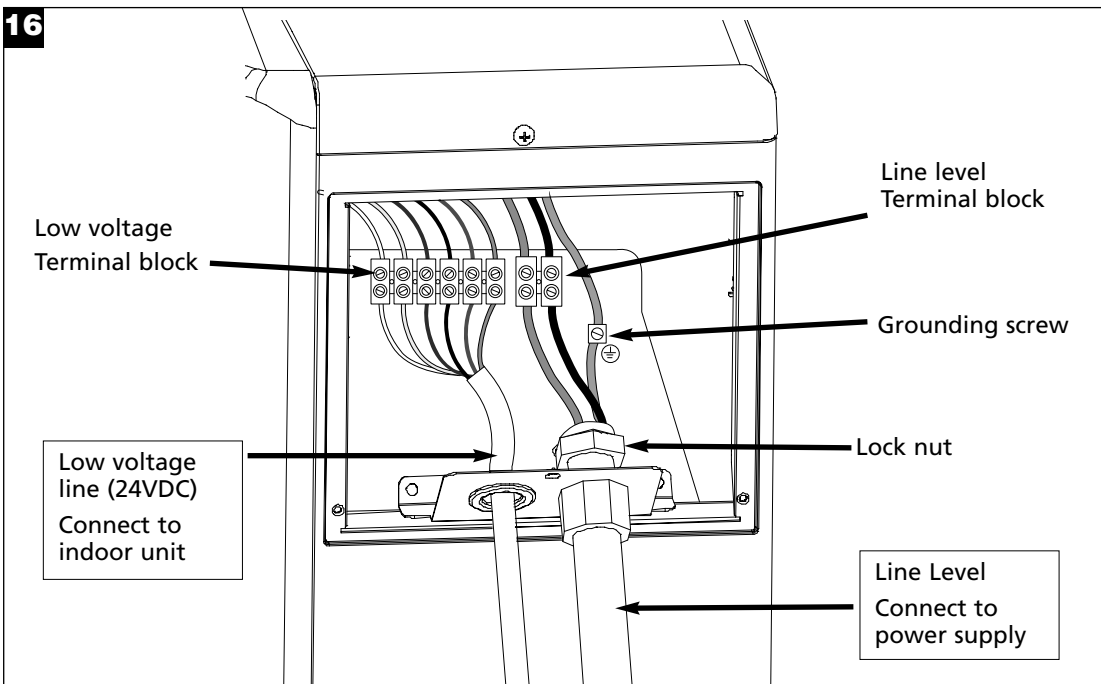
Connecting wiring to the outdoor unit

- The installer shall check available power to make certain it matches the unit (Name Plate Rating) and that constant voltage can be maintained to the unit. Unsatisfactory performance would otherwise result. The local power company should be contacted regarding problems or questions concerning power supply.
- Install a line service disconnect switch within sight of the condensing unit. The line voltage service wiring for the condensing unit should include a fused disconnect switch.
- Use correct wire size and fuse size. To ensure that adequate voltage will be available at the condensing unit, the line voltage service wiring must be of adequate size. Minimum recommended wire ampacities and maximum fuse sizes are listed on the unit name plate.
- Two holes are provided in the control box
 - a. One is for the connection of the line voltage conduit or cable. The hole is sized for 3/4" conduit.
 - b. One is for low-voltage wiring. Refer to the wiring diagram attached to electrical box cover for connection.
- Be sure to ground the condensing unit by securing the ground wire to the grounding lug inside the control box
- Be sure to follow National Electrical Code and all local codes



⚠ WARNING ⚠

Electrical equipment should be installed by a qualified, licensed electrician. Improper electrical hook-up may damage equipment, can create a hazard, cause personal injury or death, and will void the warranty.



⚠ WARNING ⚠

Indoor unit operates on low voltage (24VDC) supplied by the outdoor unit.
DO NOT CONNECT LINE VOLTAGE TO THE INDOOR UNIT. SEE WIRING DIAGRAMS ON PAGE 2.

Connecting tubing to the outdoor unit

- Align the center of the tubing and sufficiently tighten the flare nut with fingers
- Tighten the flare nut with wrench

⚠ CAUTION ⚠

Do not overtighten the flare nut. This can damage the threads and cause leakage.

Checking for refrigerant leakage

⚠ WARNING ⚠

Only licensed HVAC professionals are permitted by law to perform the operations below.

- Connect a manifold gauge to the outdoor unit gas line port
- Use dry nitrogen with trace refrigerant when checking for leakage
- Open the low pressure valve of the manifold gauge until the meter reads steady at about 150-200 psig (10.32-13.8 bar)
- Test for refrigerant leakage especially around the tubing connections with a refrigerant-leak detector
- If leakage was found, retighten the connector with a torque wrench and repeat the test
- Upon completion of the leak test, purge nitrogen

Evacuate air from the tubing and indoor unit

Connect vacuum pump to unit through manifold gauges. It is necessary to remove all air from the refrigeration cycle, as this air contains moisture, which may cause a malfunction or reduce efficiency of the compressor.

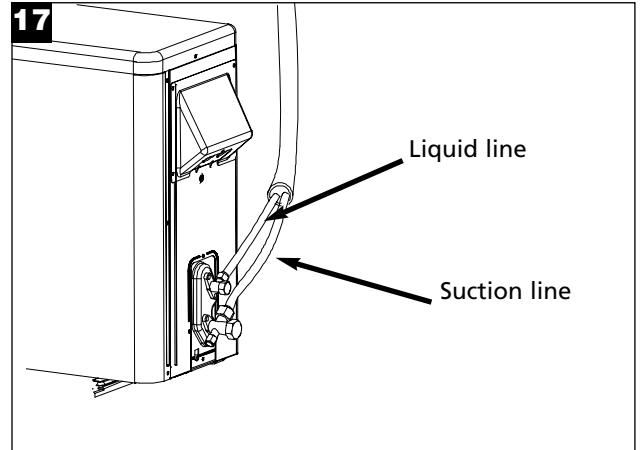
Opening the service valves for operation

- Unscrew the caps on the 2-way and 3-way valves
- After all lines are installed and leak tested, set both the liquid and gas line valves to fully open position with the Allen Key for the unit operation, as shown in figure 18
- Reinstall the cap and torque to the specified value as shown below

Flare nut size	Torque (N.m.)
1/4"	12.7 - 19.3
3/8"	35.6 - 44.4
1/2"	48.9 - 61.0

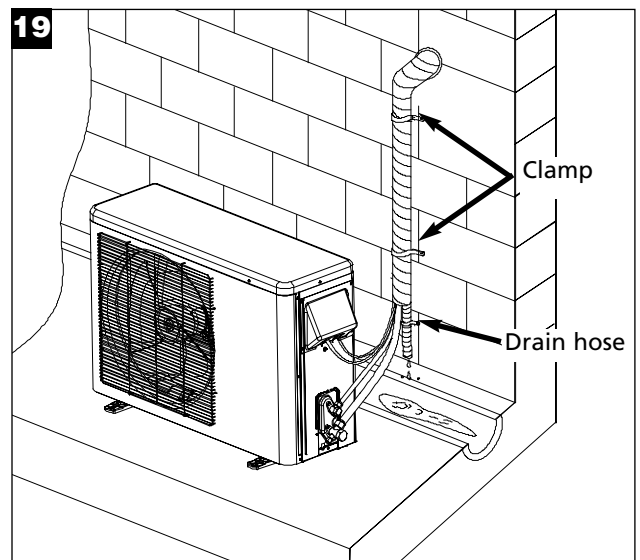
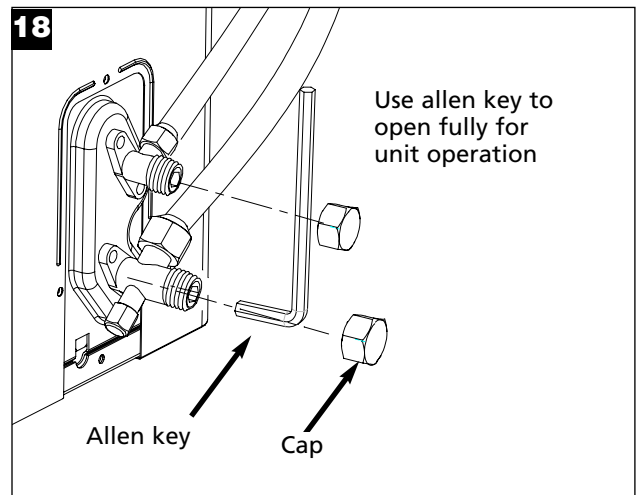
Restraining tubing

- Wrap the tubing connection to the unit with insulation and seal it with tape
- You may connect additional drain hose. The end of the drain outlet should not touch the ground.
- Wrap the connecting tubing, drain hose and wires with tape from bottom to the top, and secure them to the wall as shown in figure 19



⚠ CAUTION ⚠

Ensure that all the tubing and wiring are connected properly and securely, before turning the power On.

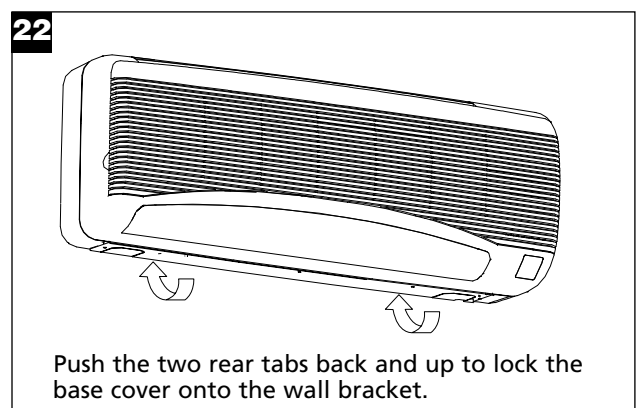
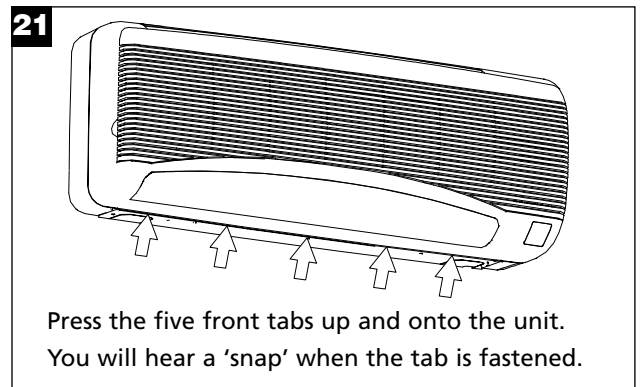
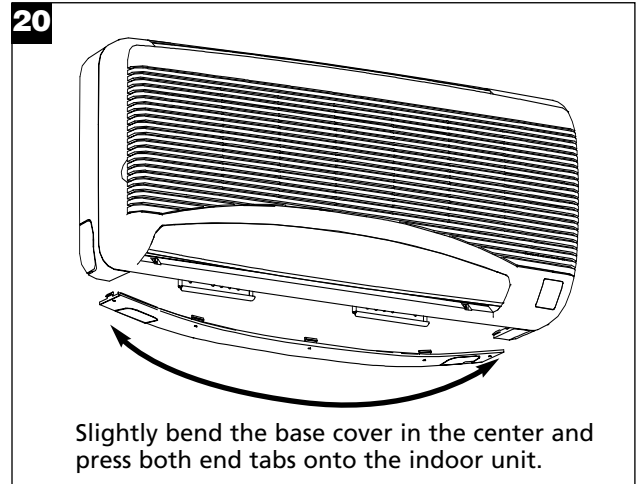


Re-installing the base cover

- Slightly bend the base cover in the center and press both tabs into the indoor unit as shown in figure 20
- Snap closed the other three tabs by pressing onto the unit and towards the wall
- All tab locations are indicated by embossed triangles as shown in figure 21
- Push the last two tabs into the indoor unit
- Push the triangles towards the wall to lock the tabs into the wall bracket as shown in figure 22
- Ensure there is no bulging on the base cover after installation

Switching on the power supply

- Turn the main switch on the outdoor unit to ON
- Operate the Indoor unit at Cooling or Heating mode (if applicable) for fifteen minutes or more
- Check operation



Safety precautions

- Please read the operating instructions and follow all instructions carefully before operating the air conditioner to help ensure your safety

⚠ WARNING ⚠

This symbol indicates the possibility of death or serious personal injury

⚠ CAUTION ⚠

This symbol indicates the possibility of personal injury or property damage

⚠ WARNING ⚠

- We recommend that you have a qualified technician install your air conditioner in accordance with the installation instructions provided
- Keep this manual for future reference as it contains important operating and safety instructions
- All wiring must conform to local and national electrical codes
- To avoid possible electrical shock, you must ground your air conditioner
- This air conditioner requires a separate power supply on a separate fused circuit
- Call for service immediately if a fuse blows or a circuit breaker trips frequently

⚠ WARNING ⚠

Additional Safety Precautions

- **Do not** store or use gasoline or other flammable vapors and liquids in the vicinity of this or any other appliance. The fumes can create a fire hazard or explosion.
- **Do not** introduce objects in the air discharge area. This could cause permanent damage to your unit
- **Do not** operate without filter
- **Do not** obstruct the air intake area of your air conditioner, as this could cause overheating, thus activating the unit's security switch and shutting off the unit
- **Do not** block air flow inside with blinds, curtains, or furniture, or outside with shrubs, enclosures, or other buildings
- **Do not** run outdoor unit with any type of cover in place. This could result in fire or mechanical damage within the air conditioner.
- **Clean the air conditioner filter every two weeks to avoid overheating caused by air obstruction**

Features

Air intake

Brings room air into the unit.

Air discharge

Discharges conditioned air into the room.

Air outlet adjustable louver

Swings up and down to direct airflow around the room.

Onboard temperature display and mode indicator

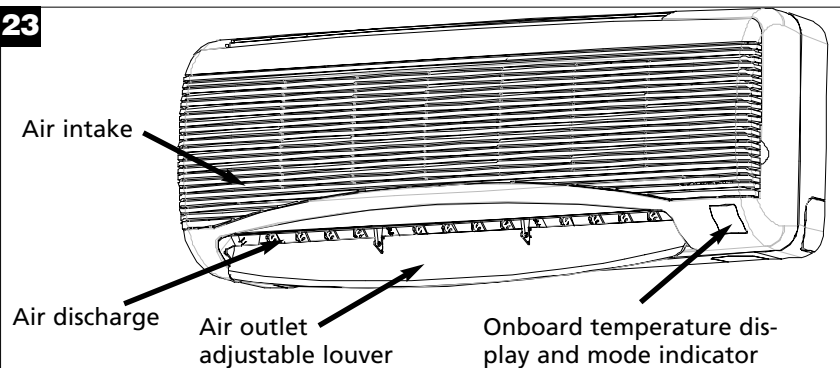
Displays the set temperature and indicates mode of operation.

Front grille

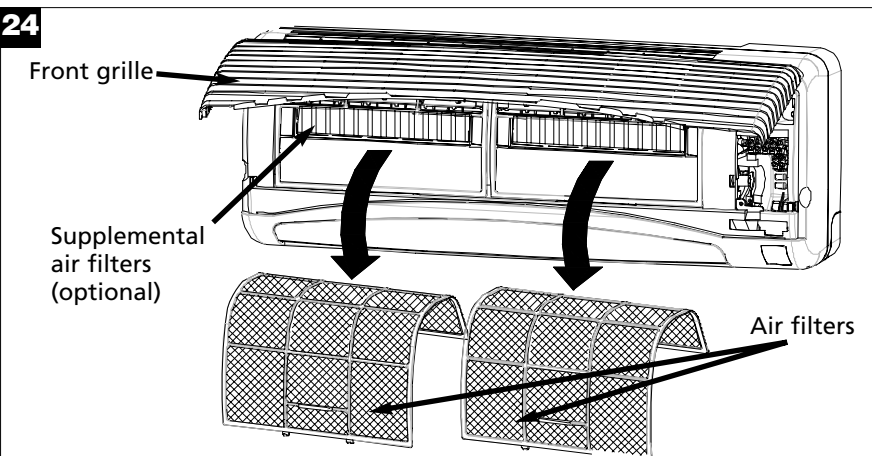
Covers the air intake and filter area.

Lift up the front grille to access the air filters, supplemental air filters (optional), and Auto control switch.

23



24



Remote control

Many of the features of your air conditioner are only accessible by remote control.

Remote control display

- 1 Cool Mode
- 2 Dry Mode
- 3 Heat Mode
- 4 Fan Mode
- 5 Smart Air
- 6 Transmit
- 7 Swing
- 8 Temp/ Timer
- 9 Timer (On)
- 10 Timer (Off)
- 11 Fan Speed

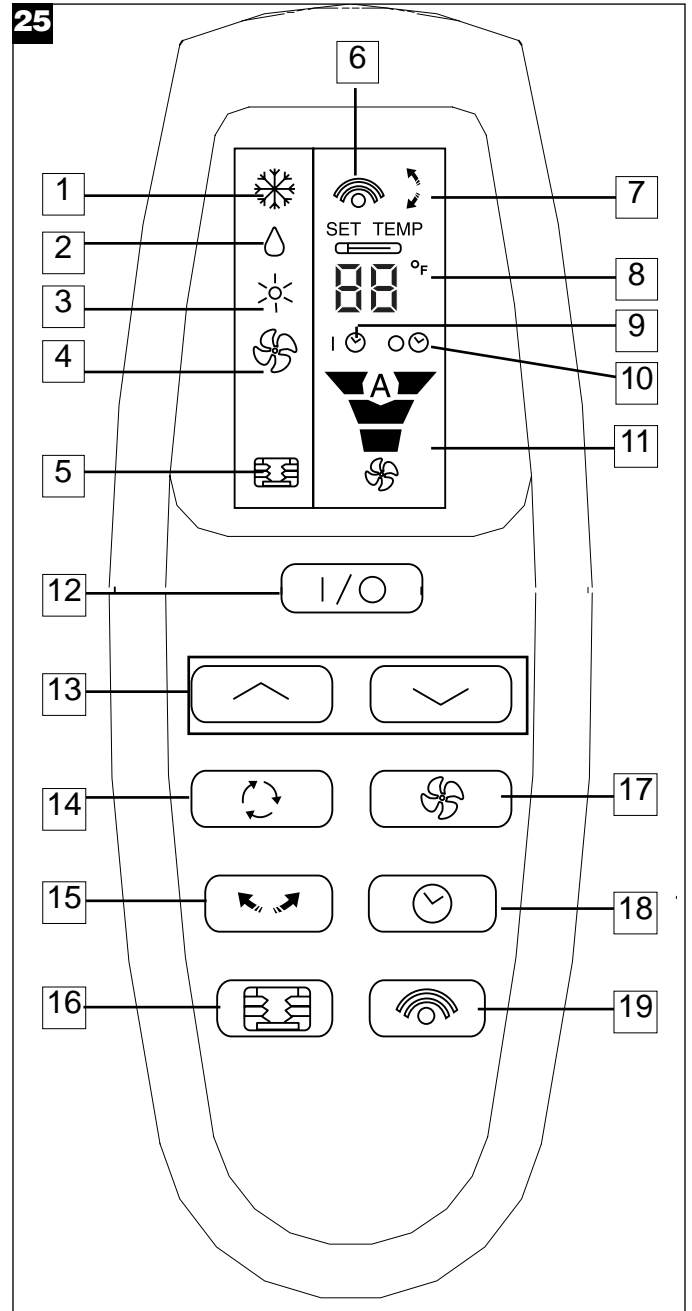
Remote control keypad

- 12 On/Off
- 13 Temperature / Timer
- 14 Mode
- 15 Swing
- 16 Smart air
- 17 Fan
- 18 Timer
- 19 Re-Transmit*

* The Re-transmit button will re-send your last remote control command

NOTE: When you use the remote control, point it directly at the receptor on the indoor unit. The maximum effective distance between the remote control and the receptor is about 27 feet. The unit beeps once to confirm that the signal has been received from the remote control.

NOTE: To display the temperature in Celsius, press both Temperature/Timer buttons at the same time.



Auto control switch

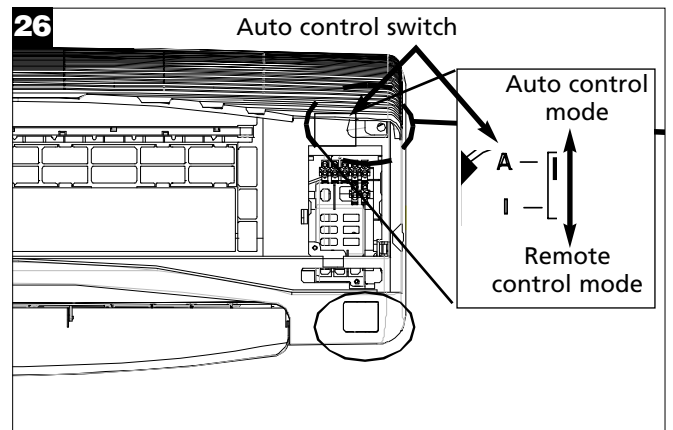
If the remote control does not work or you have misplaced your remote control, you can operate the unit in auto mode by moving the Auto Control switch to the "A" position under the front grille.

This setting will operate the air conditioner in the following manner:


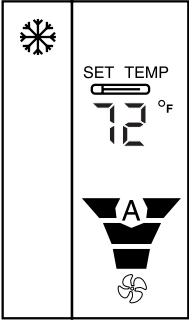
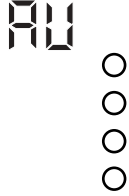
If room temperature rises above 75° F, unit will operate in cool mode.

If room temperature is between 68° F and 75° F, unit will operate in dry (dehumidify) mode.

If room temperature falls below 68°F, unit will operate in heat mode (heat pump models only).



Starting the air conditioner

Remote keypad	Remote display	Onboard display	
			<ul style="list-style-type: none"> • Press the On/Off button on the remote control • The air outlet adjustable louver will start rotating <p>Then: Select Mode (page 15) Then: Select settings: Fan speed, adjustable louver position (page 16)</p>

Setting the timer

Using the timer, you can turn your air conditioner on or off at preset times.

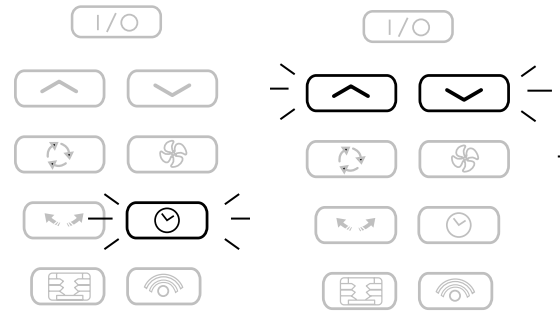
Setting the Timer to Start the Unit

Select the desired hour for the air conditioner to start operating. The air conditioner will continue to be in OFF mode until the timer activates it.

- With unit running, select desired operation mode and temperature, then turn unit off
- Press the Timer button to activate Timer
- Press the Hour Selector button. Each time the button is pressed, the timer will increase or decrease in one hour increments
- The yellow onboard indicator light, on the indoor unit, lights up when the timer operation is set

Setting the Timer to Stop the Unit

- While the unit is running in the desired operation mode and temperature, press the Timer button to activate Timer
- Press the Hour Selector button to increase or decrease time in 1 hour increments
- The yellow onboard indicator light, on the indoor unit, lights up when the timer operation is set



Timer button

Adjust Timer using these buttons.

NOTE:

To cancel the timer setting, just press the timer button on the remote again. The yellow LED will turn off, indicating the timer function is canceled.

Select mode

Mode	Remote keypad	Remote display	Onboard display
<p>Cool Mode</p> <ul style="list-style-type: none"> Turn on your air conditioner by pressing the On/Off button on the remote control Press the Mode button until cool mode is selected on the remote control display. The onboard display's blue indicator will come on. Set the temperature by pressing the temperature buttons to lower or raise the set temperature 	<p>1 </p> <p>2 </p> <p>3 </p>		<p>72 </p> <p>When in Cool mode, the blue LED will shine.</p>
<p>Dehumidify Mode</p> <ul style="list-style-type: none"> Turn on your air conditioner by pressing the On/Off button on the remote control Press the Mode button until dehumidify mode is selected on the remote control display. The onboard display's green indicator will come on. <p>NOTE: Fan speed is always on low in dehumidify mode.</p>	<p>1 </p> <p>2 </p>		<p>72 </p> <p>When in Dry mode, the green LED will shine.</p>
<p>Heat Mode (heat pump models only)</p> <ul style="list-style-type: none"> Turn on your air conditioner by pressing the On/Off button on the remote control Press the Mode Selector button until heat mode is selected on the remote control display. The onboard display's red indicator will come on. Set the temperature by pressing the temperature buttons to raise or lower the set temperature Defrost Mode: If ice forms on the outdoor coil, the unit will automatically go into Defrost mode. When the unit is in defrost mode the red LED will flash on and off. Heat will not be available until Defrost is complete. 	<p>1 </p> <p>2 </p> <p>3 </p>		<p>78 </p> <p>When in Heat mode, the red LED will shine.</p> <p>When in Defrost mode, the red LED will blink.</p>
<p>Fan Mode</p> <ul style="list-style-type: none"> Turn on your air conditioner by pressing the On/Off button on the remote control Press the Mode button until the Fan mode is selected on the remote control display 	<p>1 </p> <p>2 </p>		<p>F — Low Fan</p> <p>F = Med Fan</p> <p>F ≡ High Fan</p>

Select Settings

Your air conditioner has three adjustable settings:

Fan Speed, Swing (air direction), and Smart Air (memory)

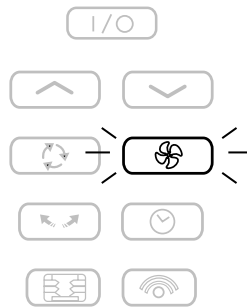
Fan Speed setting

While the unit is running, press the Fan Speed button to set the fan speed on low, medium, high or auto.

When the auto fan setting is selected while the air conditioner is in Cool mode, the fan speeds will change automatically as the temperature in the room changes

NOTE: The fan setting is not applicable to Dehumidify mode.

Remote keypad



The chart below identifies the different fan speeds as they are displayed on the remote control and the indoor unit.

Fan Speed	Low Fan	Med Fan	High Fan	Auto Fan
Remote display				
Onboard display	F _	F =	F ≡	F A

Swing (air direction) setting

You can direct the air flow from your air conditioner into the room using the Swing button. You can also continuously sweep the air up and down.

Swing Button

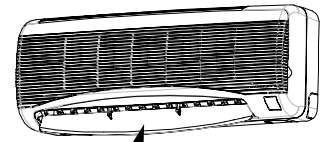
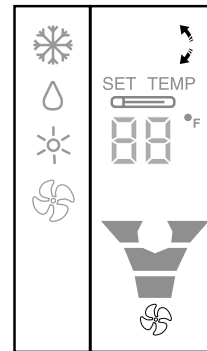
- Turn on your air conditioner by pressing on the Power On/Off button on the remote control
- Press the Swing button to move the air outlet adjustable louver between horizontal and vertical positions

NOTE: The default setting for cool and dehumidify modes is horizontal and for heat mode the default setting is vertical.

Remote keypad



Remote display



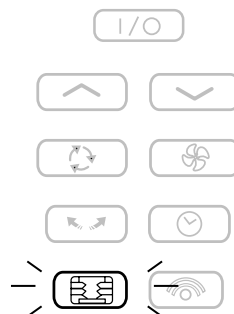
Air outlet adjustable louver

Smart Air (memory) setting

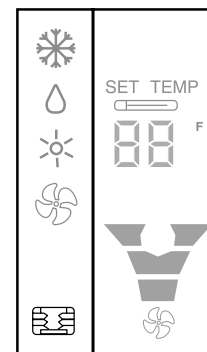
Allows you to save current preferred settings into memory and reactivate them with one button.

- Press the Power On/Off button to turn on the unit
- Press the Mode button and select the desired operation mode, temperature and vane position
- Press the Smart Air button twice to save the setting into memory. The display will show "IF".
- To recall the saved setting, press the Smart Air button once. There will be a five second delay before the stored setting begins.

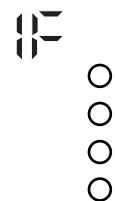
Remote keypad



Remote display



Onboard display



Cleaning the air filters

Dirty air filters will cause a reduction of airflow, which in turn causes the unit to overload, reducing cooling or heating performance while consuming more electricity.

Clean the filters every two weeks.

- Turn the unit off.
- Remove the air filters by raising the front grille and pulling the filters out of the unit.
- Wash the filters in hot soapy water, rinse and shake dry.
- Replace the filters, with the front of the filter toward you.

NOTE: To dry the filter thoroughly, run your unit for a few minutes. Remember, only a clean filter works properly and delivers top efficiency at every setting.

NOTE: Failure to keep air filter clean will result in poor air circulation.

NOTE: Proper use and care of your air conditioner will help ensure longer life of the unit.

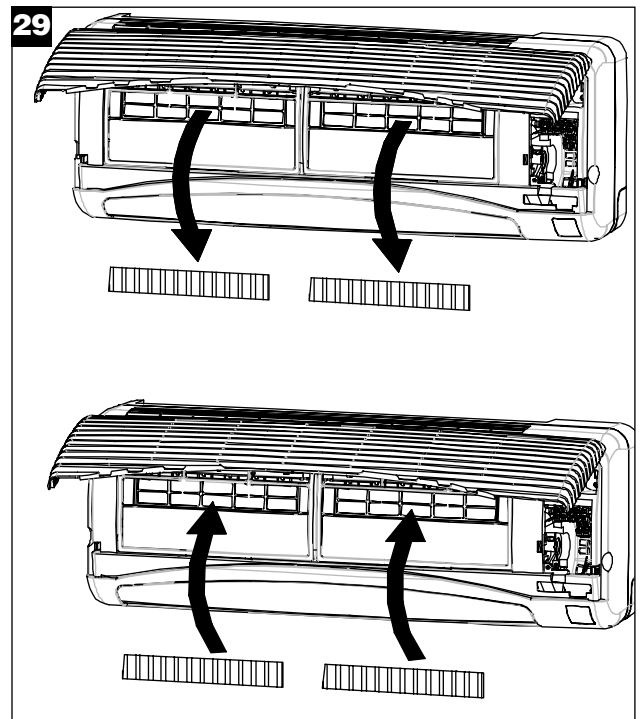
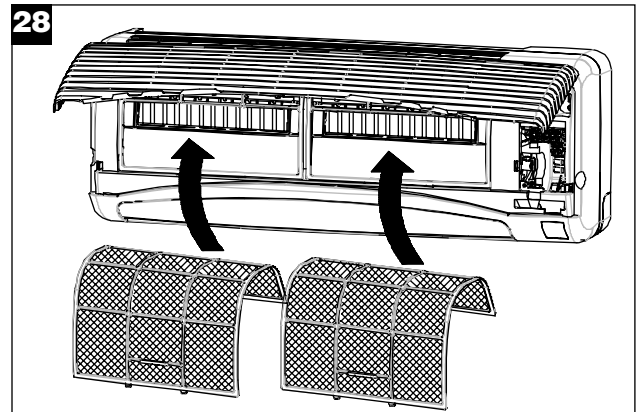
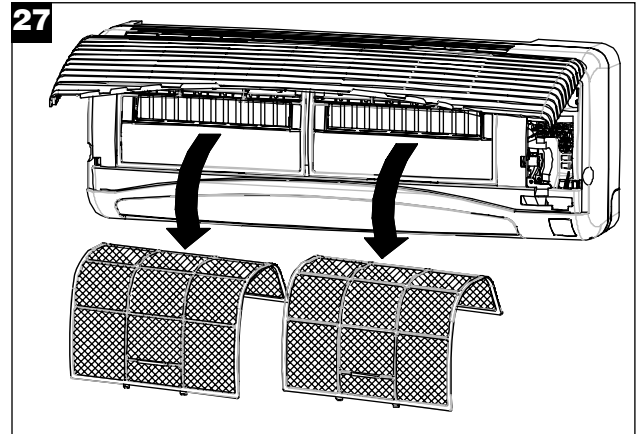
It is recommended to have an authorized servicer annually inspect and clean the coils and blow out condensate water passages with compressed air. A clogged drain hose can leak condensate water and damage property. Expense of annual inspection is the consumer's responsibility.

CAUTION: DO NOT operate without filter. This can render the unit inoperative.

Supplemental Air Filter (not available on all models)

It is recommended to replace the Supplemental Air Filters every 3 months or when they are very dirty.

- Remove the air filters and then remove the supplemental air filters from the unit every 3 months or if they are very dirty or worn out.
- Reinstall new supplemental air filters.

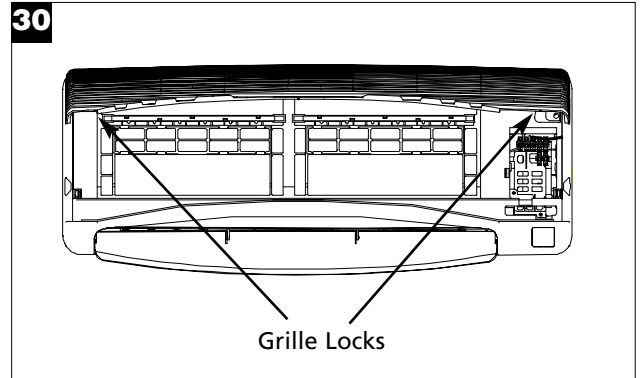


Cleaning the cabinet

- Clean the air conditioner cabinet with a damp cloth and wipe it dry
- Do not use harsh solvents or cleaners
- Do not use water above 104° F for cleaning, as this will cause discoloration and deformation
- Do not splash or spray water onto the unit as this may cause a short circuit

Removing the Grille

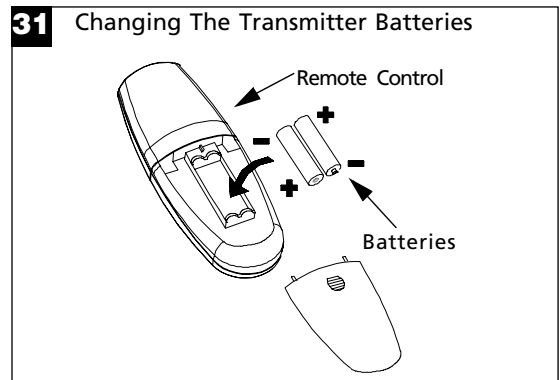
- Open the grille and remove two Grille Locks beside the grille hinges
- Lift the grille out of the indoor unit



Changing remote control batteries

- With the back of the remote control facing you, slide and lift out the battery cover
- Place two new "AAA" size batteries into the battery compartment
- Slide the battery cover back into position

⚠	WARNING	⚠
<ul style="list-style-type: none"> • Use only AAA or IEC R03 1.5V batteries • Remove the batteries if the remote controller is not used for a month or longer • Do not attempt to recharge the supplied batteries • Both batteries should be replaced at the same time • Do not dispose of the batteries in a fire as they may explode. • Do not mix old and new batteries • Do not mix alkaline, standard (carbon - zinc), or rechargeable (nickel-cadmium) batteries • Do not install the batteries with the polarity (+/-) reversed • Keep batteries and other items that could be swallowed away from young children. Contact a doctor immediately if an object is swallowed. 		



Troubleshooting

Occurrence	Possible cause	Solution
Air conditioner will not operate	House fuse blown or circuit breaker tripped Remote control batteries are discharged Control circuit malfunction	Reset circuit breaker Replace batteries Contact installer
Water dripping inside	Improper installation or clogged drain tube	Contact installer
Water draining outside	Unit is removing moisture from humid room	This is normal during humid days
Noise when unit is cooling	Air movement sound Vibration — poor installation	The sound of rushing air is normal. If too loud, use a lower fan setting. Contact installer
Not cooling efficiently	Dirty air filters	Clean filters
Air conditioner compressor does not run for three minutes after restart	Compressor protection circuit prevents compressor from running for three minutes after restart	This is normal. Wait three minutes before restarting.
Fan speeds up in cooling mode during cooling operation	Indoor coil defrosting	This is normal during humid days
Outdoor unit stops functioning for approximately 15 minutes (heat pump models)	Unit is melting ice that has formed on the outdoor coil	This is normal

How to Obtain Warranty Service or Parts

Note: Before calling for service, carefully read this *Installation and Operations manual*.

For Models Installed in North America :

First make the recommended checks in the Troubleshooting guide. Then, if you still need assistance:

1. Please contact your installer for warranty service.
2. If your installer is unable to assist in repair or if you need other assistance, contact CareCo for the name of an authorized servicer.

You may contact CareCo by email:

customerservice@fedders.com

by calling the following toll-free number:

1-217-347-6562

or you may write:

**CareCo, Service Department
415 W. Wabash Ave., P.O. Box 200
Effingham, IL 62401**

For Models Installed Outside North America :

For room air conditioners purchased for use outside North America, the manufacturer does not extend any warranty either expressed or implied. Consult your local dealer for any warranty terms extended by the importer in your country.

Proof of Purchase Date

It is the responsibility of the consumer to establish the original purchase date for warranty purposes. We recommend that a bill of sale, cancelled check, or some other appropriate payment record be kept for that purpose. If a proof of purchase can not be verified, then purchase date will be considered to be manufacture date plus six (6) months.

Ductless Split Room Air Conditioner Warranty

(Within the 48 contiguous United States, state of Hawaii, the District of Columbia, Puerto Rico and Canada)

Full (One Year) Parts and Labor Warranty

During the first year after the date of original purchase, Fedders will, through its authorized servicers and free of charge to the owner or any subsequent user, repair or replace any parts which are defective in material or workmanship due to normal use. Ready access to the air conditioner for service is the responsibility of the owner.

Limited (Five Year) Sealed System Warranty/(Two Year) Fan Motor Parts Warranty

In addition to the full (one year) parts and labor warranty described above, Fedders will, through its authorized servicers or parts distributors, exchange sealed system parts (consisting of compressor, evaporator, condenser, and interconnecting tubing) during the second year through fifth year, and the fan motor during the second year, both from the original date of purchase, providing the parts are defective in material or workmanship. Transportation, handling, or labor costs to diagnose, repair or replace such defective parts are not covered by this limited parts warranty and are the owner's responsibility.

Note: In the event of any required parts replacement within the period of this warranty, Fedders replacement parts shall be used and will be warranted only for the period remaining on the original warranty.

Exceptions

The above warranty does not cover failure to function caused by damage to the unit while in your possession (other than damage caused by defect or malfunction), or by its improper installation, or by unreasonable use of the unit, including without limitation, failure to provide reasonable and necessary maintenance, to install the correct rear grille, or to follow the written Installation and Operating Instructions. If the unit is put to commercial, business, rental, or other use or application other than for consumer use, we make no warranties, express or implied, including but not limited to, any implied warranty of merchantability or fitness for particular use or purpose.

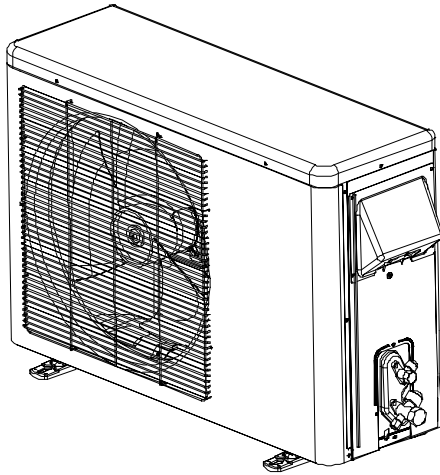
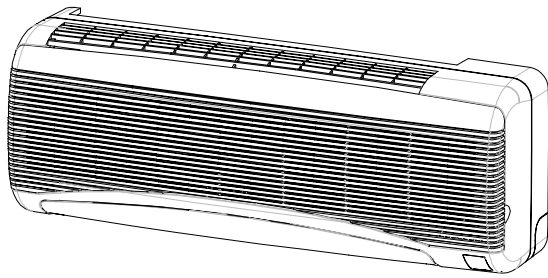
THE REMEDIES PROVIDED FOR IN THE ABOVE EXPRESS WARRANTY ARE THE SOLE AND EXCLUSIVE REMEDIES THEREFORE, NO OTHER EXPRESS WARRANTIES ARE MADE. ALL IMPLIED WARRANTIES, INCLUDING BUT NOT LIMITED TO ANY IMPLIED WARRANTY OF MERCHANTABILITY OR FITNESS FOR A PARTICULAR USE OR PURPOSE, ARE LIMITED IN DURATION TO ONE YEAR FROM THE DATE OF ORIGINAL PURCHASE. IN NO EVENT SHALL FEDDERS BE LIABLE FOR INDIRECT, INCIDENTAL, OR CONSEQUENTIAL DAMAGES, EVEN IF ADVISED IN ADVANCE OF THE POSSIBILITY OF SUCH DAMAGES. NO WARRANTIES, EXPRESS OR IMPLIED, ARE MADE TO ANY BUYER UPON RESALE.

Some states do not allow limitations on how long an implied warranty lasts or do not allow the exclusion or limitation of incidental or consequential damages, so the above limitations or exclusions may not apply to you. This warranty gives you specific legal rights, and you may also have other rights which may vary from state to state.

No warranties are made for units sold outside of the above stated areas. Your distributor or final seller may provide a warranty on units sold outside of these areas.

FEDDERS® Acondicionador de aire de tipo dividido sin conducto

Manual de instalación y funcionamiento



Si tiene preguntas adicionales llame al
1-217-347-6459
o envíe un correo electrónico a:
customerservice@fedders.com



ADVERTENCIA



Esta unidad la deberá instalar sólo un técnico calificado en calefacción, ventilación y aire acondicionado de conformidad con el Código Eléctrico Nacional y los códigos y disposiciones locales.

El no seguir estas precauciones podría ser causa de choque eléctrico, incendio, muerte o lesiones personales graves.

CONTENIDOS

INSTALACIÓN

PRECAUCIONES DE SEGURIDAD 1

DIAGRAMAS DE CABLEADO 2

LISTA DE PIEZAS 3

SELECCIÓN DE UN LUGAR 4

INSTALACIÓN DE UNIDAD INTERIOR

Montaje del soporte para pared 5

Perforar el orificio de acceso para el tubo 5

Retirar la cubierta de la base 6

Unir la unidad interior al soporte para pared 6

Cablear la unidad interior 6

Cortar el tubo y los cables 7

Conectar el tubo a la unidad interior 7

INSTALACIÓN DE UNIDAD EXTERIOR

Ubicar la unidad exterior 8

Instalar la unidad exterior 8

Conectar el cableado a la unidad exterior 9

Conectar el tubo a la unidad exterior 10

Buscar pérdidas de refrigerante 10

Evacuar el aire del tubo y la unidad interior 10

Abrir las válvulas de servicio para poner
en funcionamiento 10

Restringir el tubo 10

INSTALACIÓN FINAL

Volver a instalar la cubierta de la base 11

Encender la fuente de alimentación 11

FUNCIONAMIENTO

PRECAUCIONES DE SEGURIDAD IMPORTANTES 12

CARACTERÍSTICAS 12

FUNCIONAMIENTO CON CONTROL REMOTO 13

Arrancar el acondicionador de aire 14

Ajustar el reloj 14

Seleccionar modo 15

Seleccionar ajustes 16

MANTENIMIENTO

Limpieza de los filtros de aire 17

Filtro de aire complementario 17

Limpieza del gabinete 18

Cambiar las baterías del control remoto 18

COMPROBACIÓN DE FALLAS 19

GARANTÍA 20


⚠ ADVERTENCIA ⚠

Riesgo de choque eléctrico

- Esta unidad la deberá instalar sólo un técnico calificado en calefacción, ventilación y aire acondicionado de conformidad con el Código Eléctrico Nacional y los códigos y disposiciones locales
- El no seguir estas precauciones podría ser causa de choque eléctrico, incendio, muerte o lesiones personales graves
- Use sólo conductores de cobre del calibre correcto y tamaño de protector

Requisitos importantes de conexión a tierra

- No haga funcionar este acondicionador de aire sin la protección de circuito de retraso adecuada (disyuntor de circuito o fusible). Consulte en la placa de datos los requisitos de suministro de energía
- Este acondicionador de aire requiere un suministro de energía eléctrica en un circuito con fusibles independientes
- Para evitar un posible choque eléctrico, el acondicionador de aire debe estar correctamente conectado a tierra



⚠ ADVERTENCIA ⚠

Precauciones de seguridad adicionales

- **No** almacene ni use gasolina ni otros vapores inflamables cerca de este aparato ni de ningún otro. Los vapores pueden crear un riesgo de incendio o explosión.
- **No** introduzca objetos en el área de descarga de aire. Esto podría dañar la unidad de modo permanente.
- **No** opere sin filtro.
- **No** obstruya el área de admisión de su acondicionador de aire, pues esto podría causar sobrecalentamiento y a su vez activar el interruptor de seguridad y apagar la unidad.
- **No** obstruya la circulación de aire a las persianas exteriores del gabinete.
- **No** bloquee el flujo de aire al interior con persianas, cortinas o muebles, o al exterior con arbustos, gabinetes o muros.
- **No** haga funcionar el acondicionador de aire si tiene puesta una cubierta protectora. Esto podría causar un incendio o daño mecánico dentro del acondicionador de aire.
- **Limpie el filtro del acondicionador de aire cada dos semanas para evitar sobrecalentamiento causado por la obstrucción de aire.**
- Emplee a dos o mas personas para mover e instalar el acondicionador de aire.

⚠ ADVERTENCIA ⚠ Este símbolo indica la posibilidad de muerte o lesiones personales graves

⚠ PRECAUCIÓN ⚠ Este símbolo indica la posibilidad de lesiones personales o daños materiales

Especificaciones eléctricas

BTU	Tensión evaporador	Tensión condensador	Amperios máx. fusible	Calibre de cableado de fuente de alimentación	Calibre de cableado de señal
9,000	24VDC*	115v	15	14 awg	18 awg (min)
12,000	24VDC*	230v	15	14 awg	18 awg (min)

* El voltaje para el evaporador es suministrado por el condensador

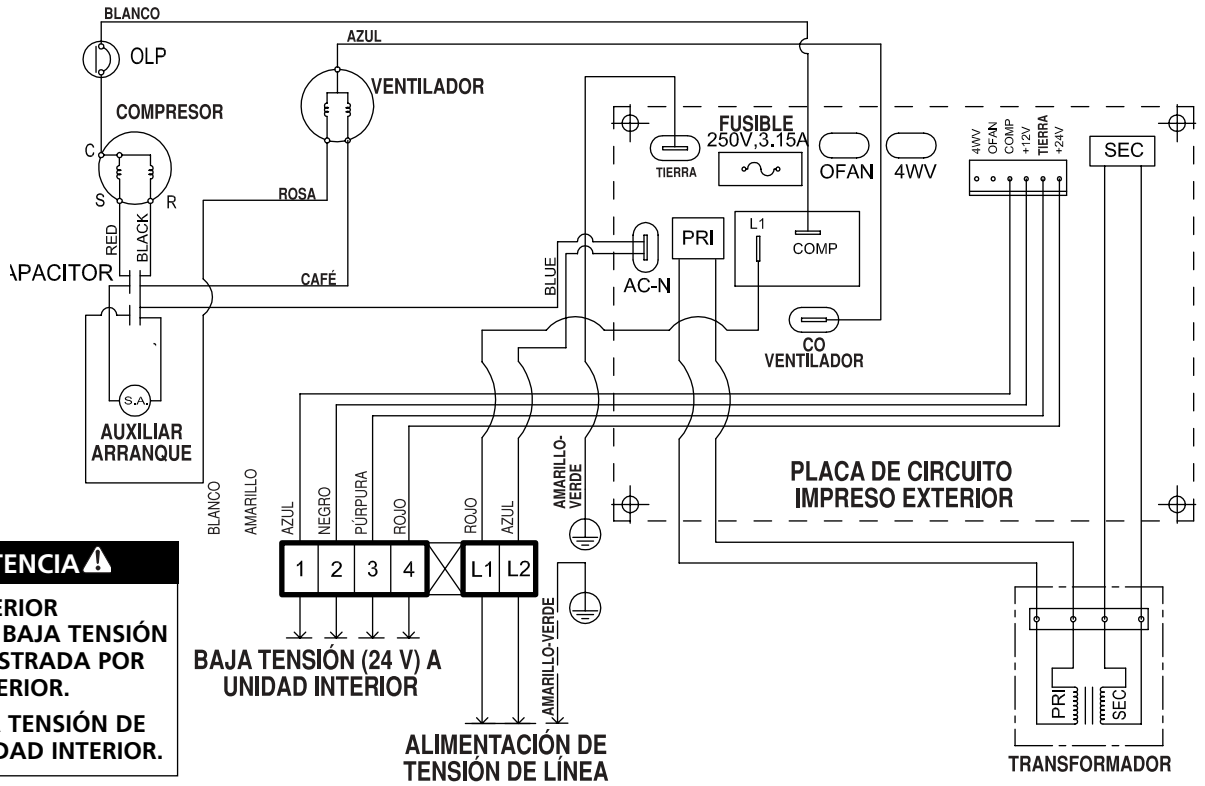
⚠ ADVERTENCIA ⚠

LA UNIDAD INTERIOR FUNCIONA CON BAJA TENSIÓN (24VDC) SUMINISTRADA POR LA UNIDAD EXTERIOR. NO CONECTE LA TENSIÓN DE LÍNEA A LA UNIDAD INTERIOR.

Diagramas de cableado

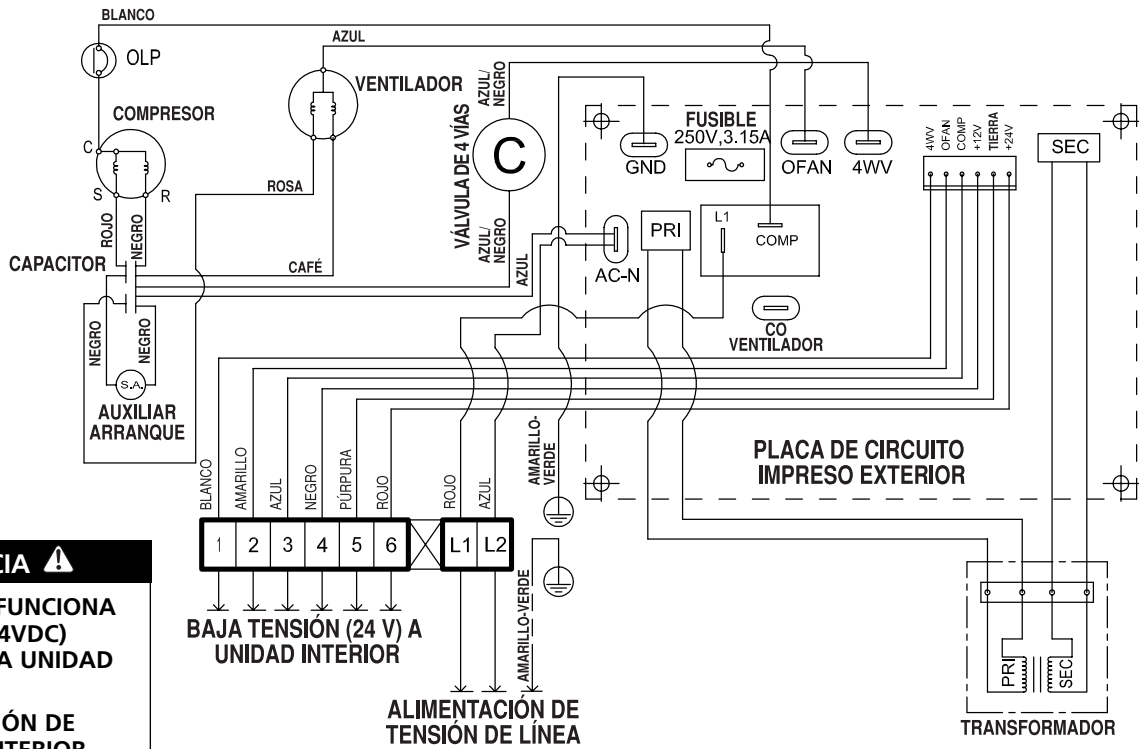
A continuación están los diagramas de cableado para las unidades sólo de enfriamiento y con bomba de calor

Unidad sólo de enfriamiento



⚠ ADVERTENCIA ⚠
 LA UNIDAD INTERIOR
 FUNCIONA CON BAJA TENSIÓN
 (24VDC) SUMINISTRADA POR
 LA UNIDAD EXTERIOR.
 NO CONECTE LA TENSIÓN DE
 LÍNEA A LA UNIDAD INTERIOR.

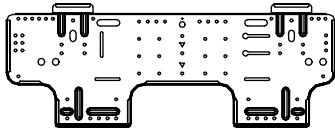

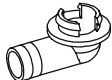

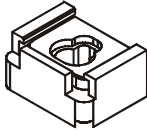
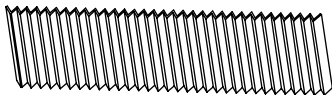



Unidad con bomba de calor



⚠ ADVERTENCIA ⚠
 LA UNIDAD INTERIOR FUNCIONA
 CON BAJA TENSIÓN (24VDC)
 SUMINISTRADA POR LA UNIDAD
 EXTERIOR.
 NO CONECTE LA TENSIÓN DE
 LÍNEA A LA UNIDAD INTERIOR.

Lista de piezas

Se empaclaron varias piezas de instalación con la unidad interior. Compare el contenido de la caja con la siguiente lista.

Descripción	Ilustración	Cantidad
Soporte para pared		1
Tornillos para montar el soporte para pared		6
Adaptador de drenaje (sólo modelos con bomba de calor)		1
Empaque (sólo modelos con bomba de calor)		1
Amortiguadores de pata de base		4
Filtros purificadores		2
Control remoto		1
Baterías AAA (para control remoto)		2
Soporte del control remoto		1

SELECCIÓN DE UN LUGAR

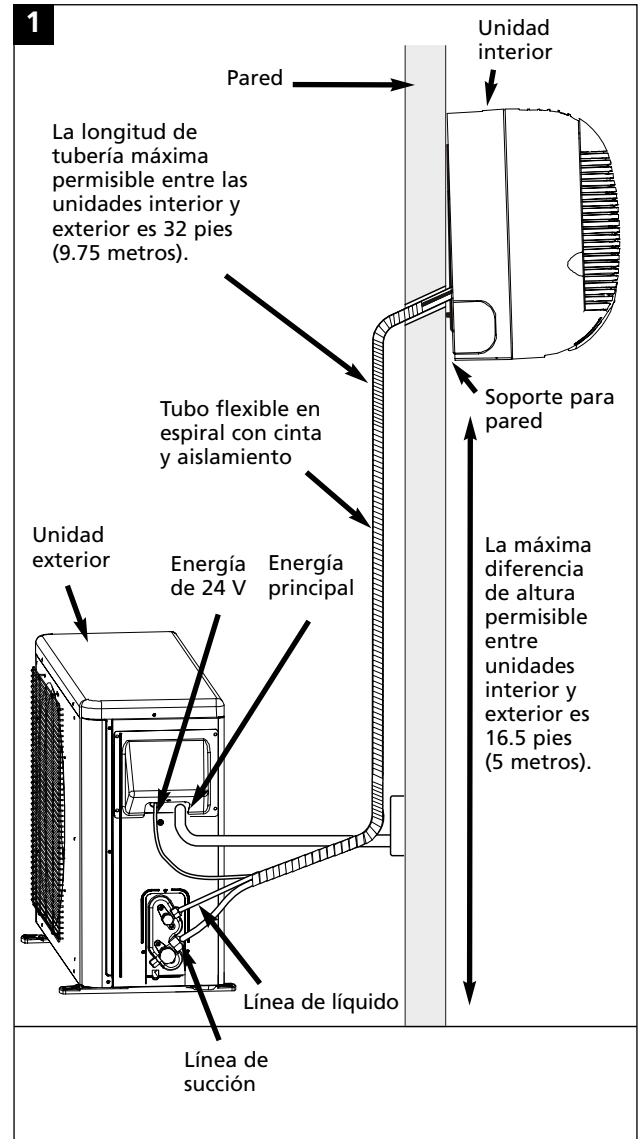
Antes de comenzar la instalación, considere la ubicación de las unidades interior y exterior. Es importante medir correctamente la distancia que el tubo necesitará recorrer entre las dos unidades.

Seleccione una ubicación para la unidad exterior

- Asegúrese de no obstruir el área de descarga de la unidad exterior con plantas o escombros
- No instale la unidad cerca de una fuente de calor, vapor o gas inflamable
- Ubique la unidad en un lugar en que pueda recibir mantenimiento fácilmente

Seleccione una ubicación para la unidad interior

- Ubique la unidad interior en un lugar en que pueda proporcionar aire frío a toda la habitación
- Ubique la unidad interior en un lugar en que el flujo de aire de la unidad no quede obstruido
- La pared en que está montada la unidad interior debe ser estructuralmente resistente y poder soportar el peso de la unidad
- Es preferible ubicar la unidad interior en una pared exterior con acceso a drenaje adecuado o a una entrada de drenaje
- Coloque la unidad de tal modo que se pueda retirar el filtro de aire fácilmente y se pueda hacer el trabajo de mantenimiento sin interferencia
- Mantenga las distancias mínimas de paredes, techo y piso ilustradas en la figura 3 de la página 5 de este manual



PRECAUCIÓN



Longitud de línea de tubo y carga de refrigerante

Cada unidad interior viene con una carga de refrigerante suficiente para usarse con tubo de hasta 16.4 pies (5 metros).

Si la longitud requerida de tubo de conexión excede 16.4 pies, agregue 0.23 onzas de refrigerante por pie adicional (97 ml por metro).

La máxima longitud de tubería permisible entre unidad interior y unidad exterior es 32 pies (9.75 metros).



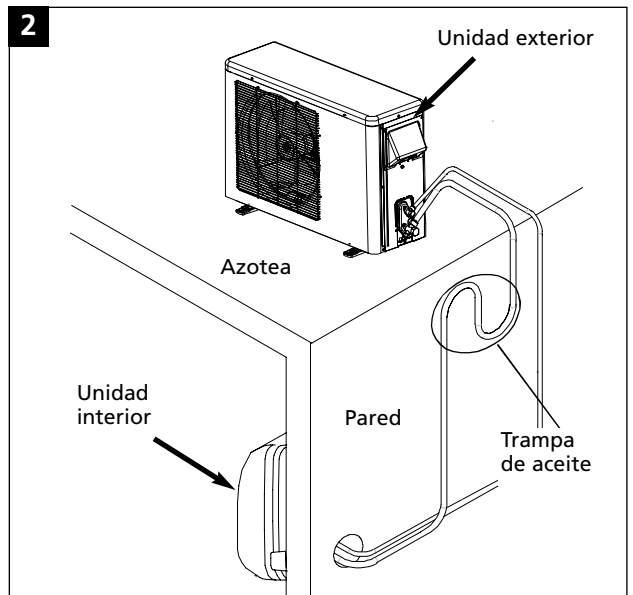
PRECAUCIÓN



Elevación de la unidad

Si la unidad exterior se coloca a una altura mayor que la unidad interior, se deberá instalar una trampa de aceite cada 12 pies (3.7 metros) en la línea de succión.

La diferencia de altura máxima permisible entre la unidad interior y la unidad exterior es 16.5 pies (5 metros).



Montaje del soporte para pared

- Asegure el soporte para pared directamente en la pared y en los montantes de pared usando los tornillos incluidos como lo muestra la figura 3
- **Asegúrese de que el soporte para pared está nivelado horizontalmente cuando esté montado**
- Si no hay montantes para pared disponibles, se recomienda usar un perno acodillado o un anclaje para tablarroca similar
- Si está montando el soporte en una pared de concreto, use pernos de anclaje para asegurar la parte superior del soporte a la pared
- No apriete de más los tornillos inferiores, lo que hará que el soporte se doble. Deberá haber una separación de 0.20 pulgadas (5 mm) entre el soporte y la pared

PRECAUCIÓN

Asegúrese de que el soporte para pared esté horizontal.

Si la unidad de pared no está montada horizontalmente, el agua del condensador escapará de la unidad y puede dañar las paredes o la alfombra que esté debajo.

3

Mínimo 5.5" (14 cm) al techo

Mínimo 5.5" (14 cm) a la pared

Mínimo 7" (18 cm) a la pared

Sujete el soporte para pared a los montantes de pared con tornillos

Vista lateral

Deberá haber una separación de 0.20 pulgadas (5 mm) entre el soporte y la pared

Perfore un orificio para tubo de 2.5" (6.3 cm) de diámetro en la izquierda o la derecha. El orificio deberá estar ligeramente inclinado hacia el lado exterior. Su aplicación puede ser diferente. Consulte en la figura 4 diferentes opciones de ubicación de salida del tubo.

Perfore el orificio de acceso para el tubo

Perfore un orificio de acceso para el tubo de 2.5" (6.3 cm) de diámetro para pasar el tubo a la unidad exterior. El orificio deberá estar ligeramente inclinado hacia el lado exterior.

Una instalación típica utilizará un enchufe derecho o izquierdo posterior como se ilustra en la figura 3.

Consulte en la figura 4 diferentes configuraciones para seleccionar la que se adapte a su aplicación.

4

Enchufe derecho

Enchufe derecho posterior

Enchufe derecho inferior

Enchufe izquierdo

Enchufe izquierdo posterior

Enchufe izquierdo inferior

Retirar la cubierta de la base

Retire la cubierta de la base para tener acceso a las conexiones de tubo y cable.

- Use un destornillador plano para soltar las pestañas de cubierta de la base de la unidad interior. Las posiciones de las pestañas se indican mediante marcas "triangulares" en la placa base
- No gire el destornillador para soltar la cubierta de la base de la unidad interior; hacerlo dañará la pieza de plástico

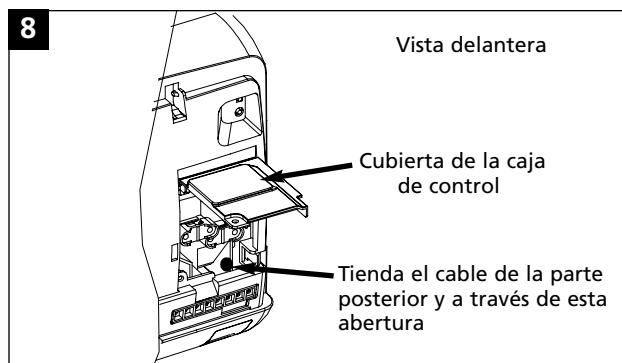
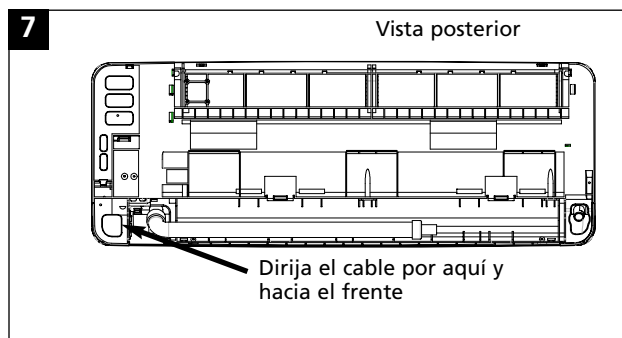
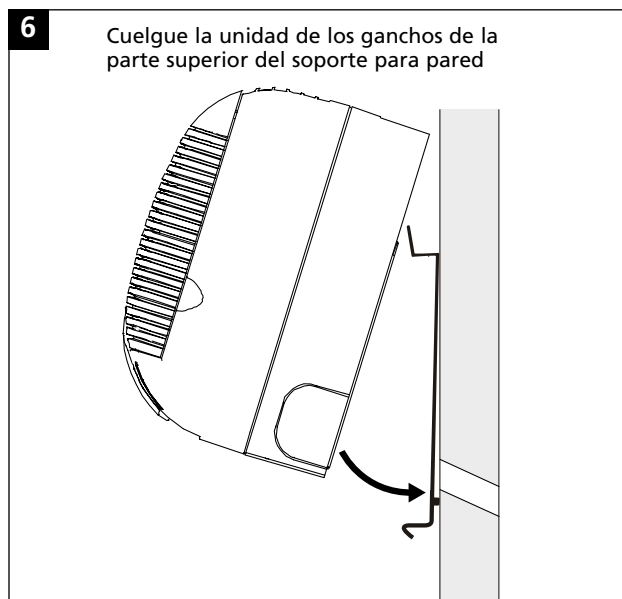
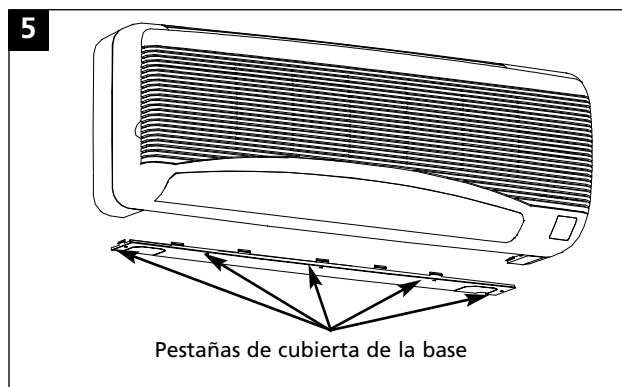
Unir la unidad interior al soporte para pared

- Las conexiones de cables a la unidad interior deben estar terminadas antes de unirla al soporte para pared
- Cuelgue la unidad de los ganchos de la parte superior del soporte para pared
- Asegúrese de que la unidad esté horizontal
- Asegúrese de que la manguera de drenaje, el tubo y los cables de conexión estén alineados y en la posición adecuada

Cablear la unidad interior

Conecte los cables a la unidad interior al abrir la rejilla delantera decorativa y seguir estos pasos:

- Retire el tornillo que asegura la cubierta de la caja de control
- Conecte los cables en la forma indicada en los diagramas de cableado de la página 2 (también se puede encontrar un diagrama de cableado en la unidad)
- Dirija el cableado desde la parte posterior y a través de la abertura en el frente como se muestra en la figura 7
- Asegúrese de que todos los terminales estén bien apretados



Cortar el tubo y los cables

- Mida la distancia entre las unidades interior y exterior
- Corte el tubo aproximadamente 10% más largo que la distancia medida
- Corte los cables eléctricos a una longitud al menos 6.5 pies (2 metros) mayor que la distancia medida

⚠ PRECAUCIÓN ⚠

Quite las rebabas de los bordes del tubo cortado. Si no se quitan las rebabas, pueden causar pérdidas de refrigerante cuando el equipo esté en funcionamiento.

⚠ PRECAUCIÓN ⚠

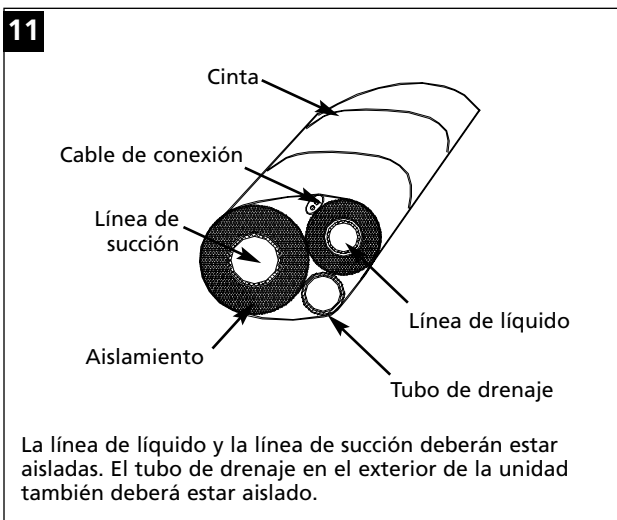
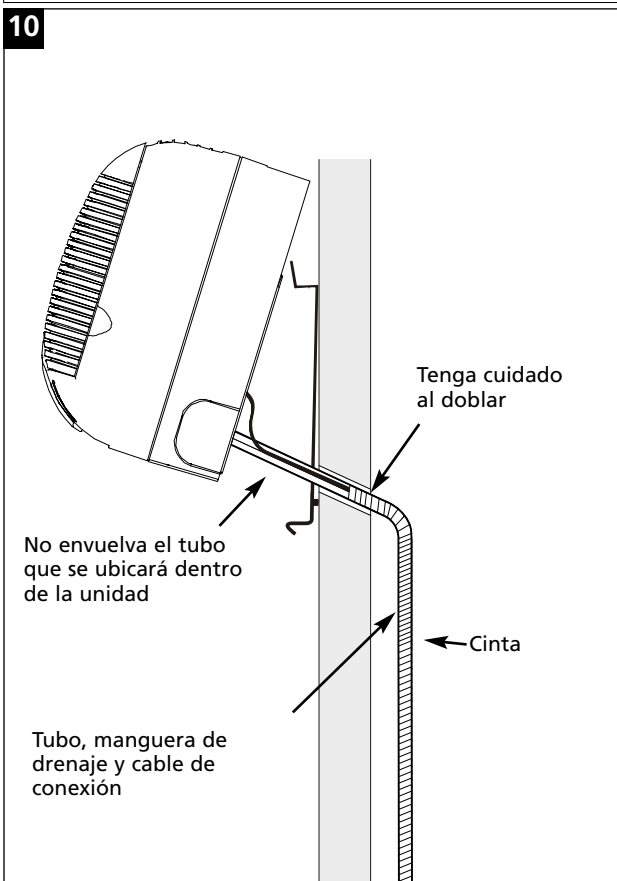
Cualquier doblez en el tubo debe tener un radio mínimo de 4" (100 mm) para impedir fugas. Doble los tubos con precaución. No retire la tuerca abocinada del tubo en la unidad interior antes de que esté listo para conectarlo a la unidad exterior.

Conectar el tubo a la unidad interior

- Apriete lo suficiente la tuerca abocinada con los dedos, luego apriétela con una llave de torsión de acuerdo con la tabla de la figura 9
- Envuelva con cinta todo el tubo expuesto. No envuelva el tubo que se ubicará dentro de la unidad
- Pase el tubo, la manguera de drenaje y el cable de conexión a través de la pared con la manguera de drenaje en la parte inferior
- Asegúrese de que todo el tubo, la manguera de drenaje y el cable de conexión giren hacia abajo al pasar y salir de la pared

9

Diámetro del tubo	Torsión lb. pie (N.m.)
1/4" (6.35 mm)	9.36 - 14.23 (12.7 - 19.3)
1/2" (12.70 mm)	36.06 - 45.00 (48.9 - 61.0)
3/8" (9.52 mm)	26.25 - 32.75 (35.6 - 44.4)

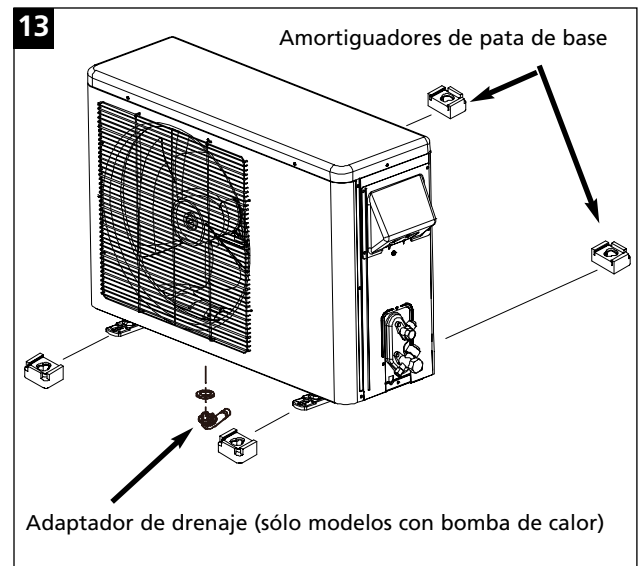
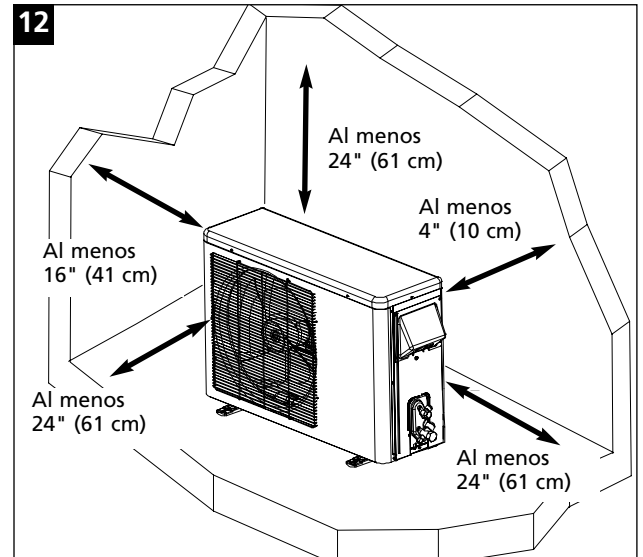


Ubicar la unidad exterior

- Ubique la unidad exterior en un lugar en que no se obstruya el flujo de aire a su alrededor
- Compruebe que la base esté horizontal y no exceda la inclinación máxima de cinco grados
- Asegure la unidad a una base con pernos de anclaje para reducir las vibraciones y el ruido
- Deje suficiente espacio para acceder a la unidad para servicio y mantenimiento
- Mantenga una distancia mínima alrededor de la unidad como se muestra en la figura 12
- No instale la unidad cerca de una fuente de calor, vapor o gas inflamable
- Las unidades con bomba de calor deberán montarse sobre la línea de nieve, si es posible

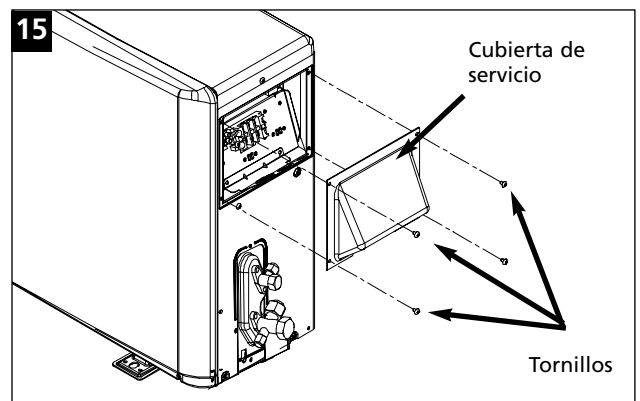
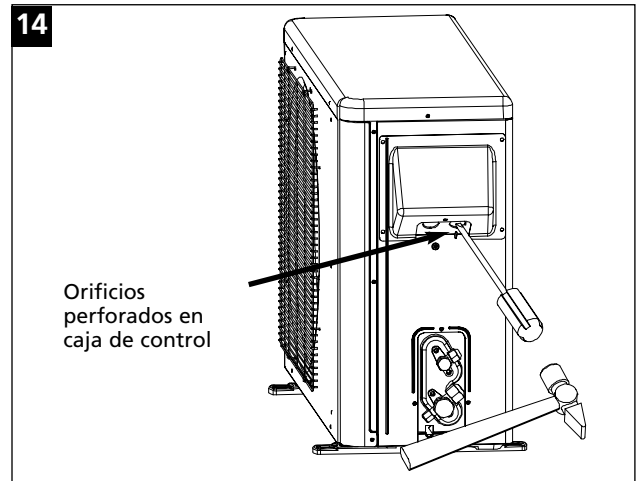
Instalar la unidad exterior

- Monte los amortiguadores de pata de base al deslizar las ranuras de amortiguador en la base de la unidad exterior como se muestra en la figura 13
- Monte el empaque del drenaje y el adaptador del drenaje a la bandeja de la base de la unidad antes de asegurarla (esto se aplica sólo a los modelos con bomba de calor) como se muestra en la figura 13
- Sujete la unidad a la base



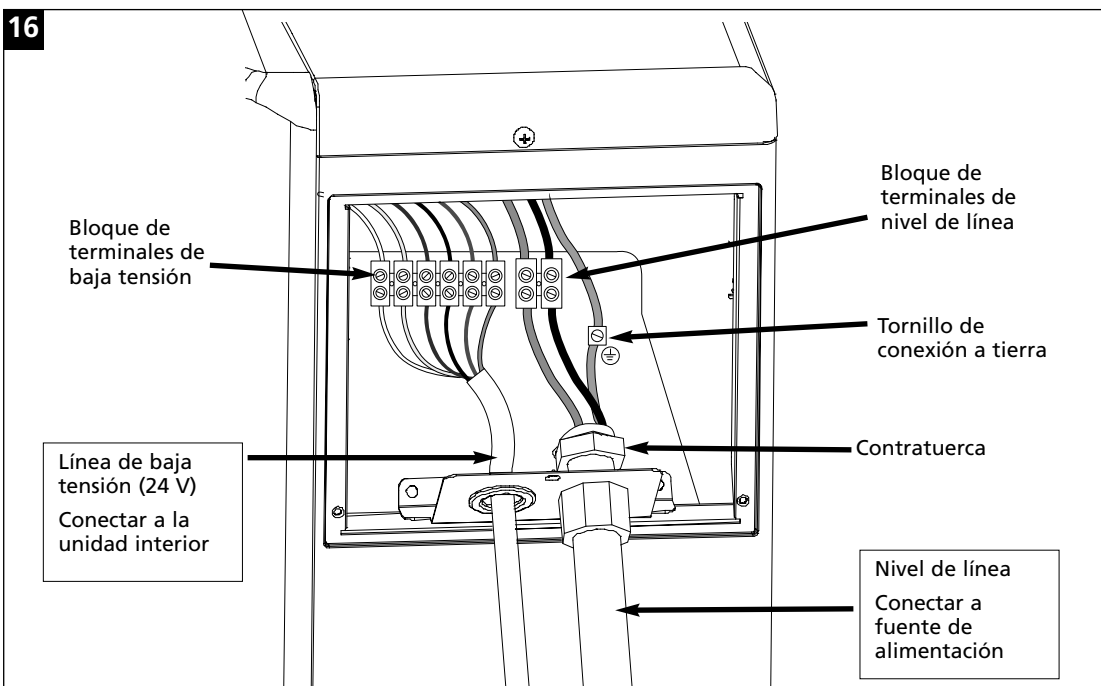
Conectar el cableado a la unidad exterior

- El instalador deberá comprobar la energía eléctrica disponible para asegurarse de que es correcta para la unidad (especificación de la placa de datos) y que se mantenga una tensión de alimentación constante a la unidad. De otro modo, puede ocurrir un desempeño insuficiente. Se deberá contactar a la compañía local de suministro de energía eléctrica respecto a problemas o preguntas respecto al suministro de energía.
- Instale un interruptor de desconexión de línea de servicio en el rango visual de la unidad condensadora. El cableado de servicio de tensión de línea para la unidad condensadora deberá incluir un interruptor de desconexión con fusible.
- Use cable y fusibles de las especificaciones adecuadas. Para asegurarse de que haya la tensión adecuada en la unidad condensadora, el cableado del servicio de tensión de línea debe ser del tamaño adecuado. Las ampacidades de cable recomendadas mínimas y las especificaciones de fusible máximas se encuentran en la placa de datos de la unidad.
- Se proporcionan dos orificios en la caja de control
 - a. Uno es para la conexión del conducto o cable de tensión de línea. El orificio es para un conducto de 3/4".
 - b. Uno es para cableado de baja tensión. Consulte la conexión en el diagrama de cableado anexo a la cubierta de la caja de conexiones eléctricas.
- Asegúrese de conectar a tierra la unidad condensadora al asegurar el cable de conexión a tierra a la oreja de tierra que está dentro de la caja de control
- Asegúrese de seguir el Código Eléctrico Nacional y todos los códigos locales



⚠ ADVERTENCIA ⚠

El equipo eléctrico lo deberá instalar un electricista calificado y con licencia. Una conexión eléctrica incorrecta puede dañar el equipo, crear un riesgo, causar lesiones personales o la muerte, e invalidará la garantía.



⚠ ADVERTENCIA ⚠

La unidad interior funciona con baja tensión (24VDC) suministrada por la unidad exterior.
NO CONECTE LA TENSIÓN DE LÍNEA A LA UNIDAD INTERIOR. CONSULTE LOS DIAGRAMAS DE CABLEADO DE LA PÁGINA 2.

INSTALACIÓN FINAL

Conectar el tubo a la unidad exterior

- Alinee el centro del tubo y apriete lo suficiente con los dedos la tuerca abocinada
- Apriete la tuerca abocinada con una llave



PRECAUCIÓN



No apriete de más la tuerca abocinada. Esto puede dañar las roscas y causar fugas.

Buscar pérdidas de refrigerante



ADVERTENCIA



La ley sólo permite que profesionales con licencia en calefacción, ventilación y aire acondicionado ejecuten las siguientes operaciones.

- Conecte un manómetro múltiple al puerto de la línea de gas de la unidad exterior
- Use nitrógeno seco con refrigerante rastreador al revisar si hay fugas
- Abra la válvula de baja presión del manómetro hasta que el medidor muestre una lectura constante de alrededor de 150-200 psig (10.32-13.8 bares)
- Pruebe si hay fuga de refrigerante, especialmente alrededor de las conexiones de tubería, con un detector de fugas de refrigerante
- Si se encuentra una fuga, vuelva a apretar el conector con una llave de torsión y repita la prueba
- Al terminar la prueba de fuga, purgue el nitrógeno

Evacuar el aire del tubo y la unidad interior

Conecte la bomba de vacío a la unidad a través de manómetros de múltiple. Es necesario extraer todo el aire del ciclo de refrigeración, pues este aire contiene humedad, que puede causar un desperfecto o reducir la eficiencia del compresor.

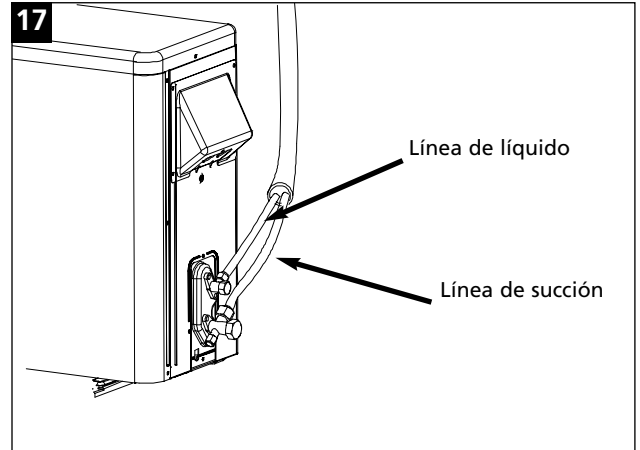
Abrir las válvulas de servicio para poner en funcionamiento

- Desatornille las tapas de las válvulas de 2 y 3 vías
- Después de que se instalan las líneas y se buscan fugas en ellas, mueva las válvulas de líneas de líquido y gas a la posición completamente abierta con la llave Allen para el funcionamiento de la unidad, como se muestra en la figura 18
- Vuelva a instalar la tapa y apriete al valor especificado a continuación

Tamaño de tuerca abocinada	Torsión (N.m.)
1/4"	12.7 - 19.3
3/8"	35.6 - 44.4
1/2"	48.9 - 61.0

Restricción del tubo

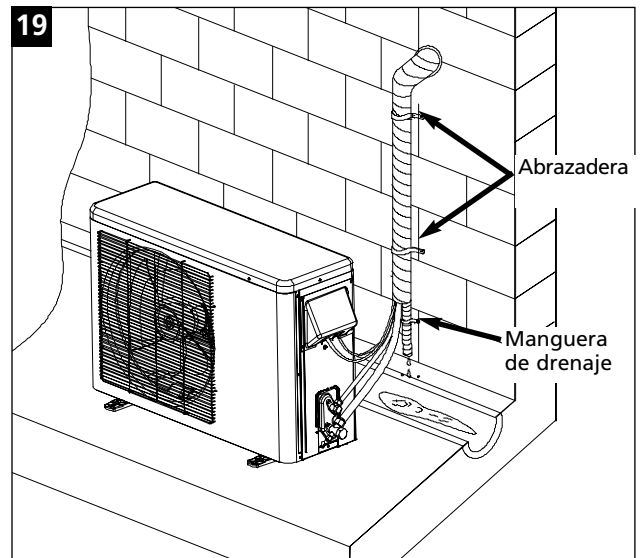
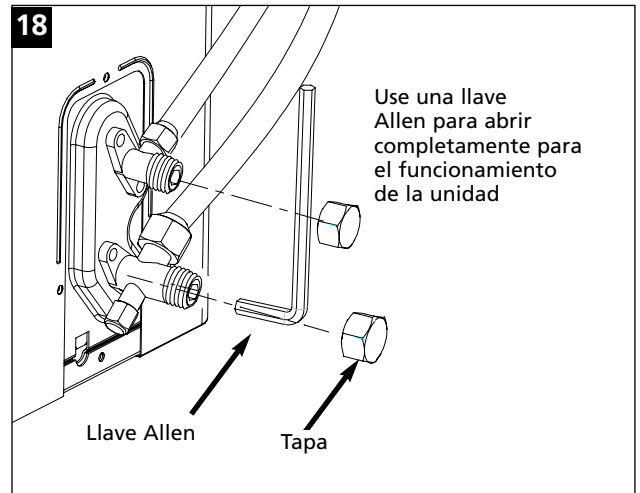
- Envuelva la conexión del tubo a la unidad con aislamiento y séllela con cinta
- Puede conectar más manguera de drenaje. El extremo de la salida de drenaje no deberá tocar el suelo
- Envuelva el tubo de conexión, la manguera de drenaje y los cables con cinta desde la parte inferior a la superior, y asegúrelos a la pared como se muestra en la figura 19



PRECAUCIÓN



Asegúrese de que el tubo y el cableado estén conectados de manera correcta y firme, antes de encender.

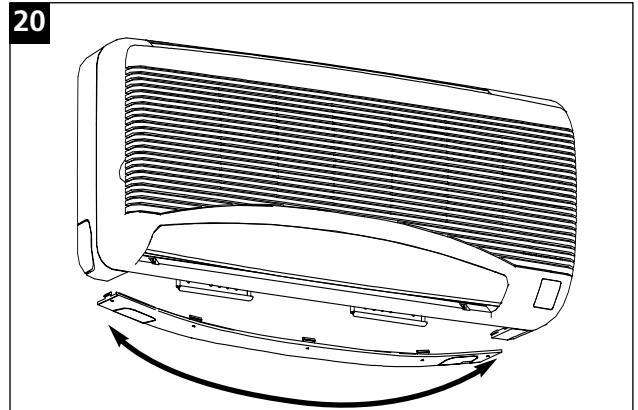


Volver a instalar la cubierta de la base

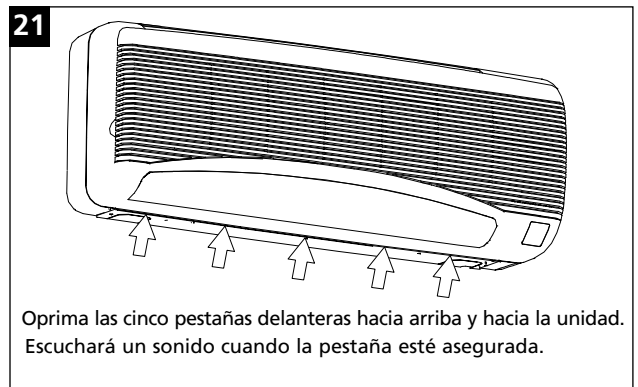
- Doble ligeramente la cubierta de la base en el centro y oprima ambas pestañas en la unidad interior como se muestra en la figura 20
- Cierre a presión las otras pestañas al presionar sobre la unidad y hacia la pared
- Todas las posiciones de las pestañas se indican mediante triángulos marcados como se muestra en la figura 21
- Empuje los últimas dos pestañas en la unidad interior
- Empuje los triángulos hacia la pared para fijar las pestañas en el soporte para pared como se muestra en la figura 22
- Asegúrese de que no haya un abultamiento en la cubierta de la base después de la instalación

Encender la fuente de alimentación

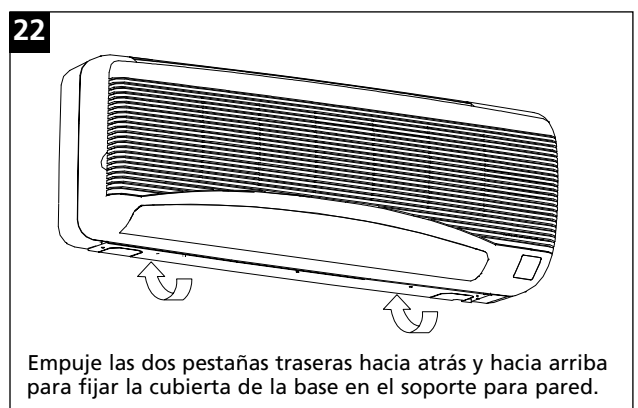
- Mueva el interruptor principal en la unidad exterior a ON (encendido)
- Haga funcionar la unidad interior en modo de enfriamiento durante quince minutos o más



Doble ligeramente la cubierta de la base en el centro y oprima las dos pestañas de los extremos en la unidad interior.



Oprima las cinco pestañas delanteras hacia arriba y hacia la unidad. Escuchará un sonido cuando la pestaña esté asegurada.



Empuje las dos pestañas traseras hacia atrás y hacia arriba para fijar la cubierta de la base en el soporte para pared.

Precauciones de seguridad

- Para ayudar a garantizar su seguridad, lea las instrucciones de operación y siga con cuidado todas las instrucciones antes de hacer funcionar el acondicionador de aire

⚠️ ADVERTENCIA ⚠️

Este símbolo indica la posibilidad de muerte o lesiones personales graves

⚠️ PRECAUCIÓN ⚠️

Este símbolo indica la posibilidad de lesiones personales o daños materiales

⚠️ ADVERTENCIA ⚠️

- Recomendamos que encargue a un técnico calificado la instalación de su acondicionador de aire de conformidad con las instrucciones de instalación entregadas
- Guarde este manual para referencia futura, pues contiene importantes instrucciones de operación y seguridad
- Todo el cableado debe apegarse a los códigos eléctricos locales y nacionales
- Para evitar un posible choque eléctrico, debe conectar su acondicionador de aire a tierra
- Este acondicionador de aire requiere un suministro de energía eléctrica en un circuito con fusibles independientes
- Llame a servicio inmediatamente si los fusibles se funden o si un disyuntor de circuito de dispara con frecuencia



ADVERTENCIA



Precauciones de seguridad adicionales

- **No** almacene ni use gasolina ni otros vapores inflamables cerca de este aparato ni de ningún otro. Los vapores pueden crear un riesgo de incendio o explosión.
- **No** introduzca objetos en el área de descarga de aire. Esto podría dañar la unidad de modo permanente.
- **No** opere sin filtro
- **No** obstruya el área de admisión de su acondicionador de aire, pues esto podría causar sobrecalentamiento y a su vez activar el interruptor de seguridad y apagar la unidad
- **No** obstruya la circulación de aire a las persianas exteriores del gabinete
- **No** haga funcionar el acondicionador de aire si no tiene puesta una cubierta protectora.
- **Limpie el filtro del acondicionador de aire cada dos semanas para evitar sobrecalentamiento causado por la obstrucción de aire**

Características

Admisión de aire

Lleva aire de la habitación a la unidad.

Descarga de aire

Descarga aire acondicionado a la habitación.

Persiana ajustable de salida de aire

Gira hacia abajo y hacia arriba para dirigir el flujo de aire alrededor de la habitación.

Pantalla de temperatura e indicador de modo en tablero

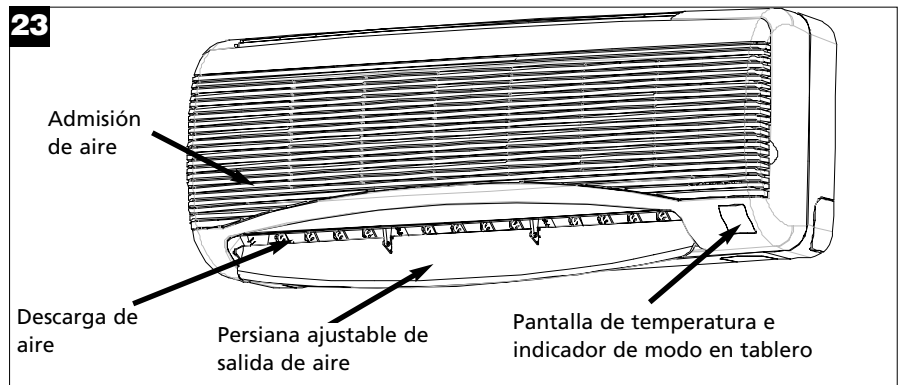
Muestra la temperatura fijada e indica el modo de funcionamiento.

Rejilla delantera

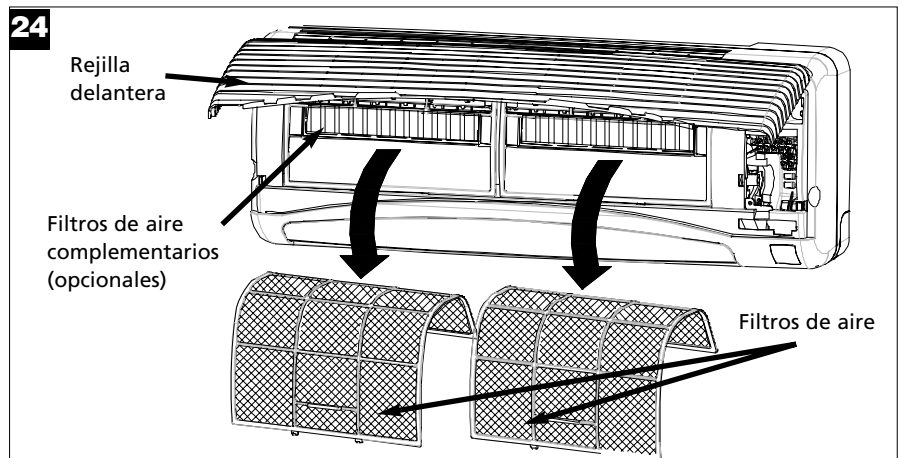
Cubre la admisión de aire y el área de filtro.

Levante la rejilla delantera para tener acceso a los filtros de aire, filtros de aire complementarios (opcionales), y el interruptor Auto control.

23



24



Control remoto

Sólo se puede tener acceso a muchas de las características de su acondicionador de aire mediante el control remoto.

Pantalla del control remoto

- 1 Modo de enfriamiento
- 2 Modo de deshumidificación
- 3 Modo de calefacción
- 4 Modo de ventilación
- 5 Smart Air
- 6 Transmitir
- 7 Balanceo
- 8 Temperatura / Reloj
- 9 Reloj (encendido)
- 10 Reloj (Apagado)
- 11 Velocidad del ventilador

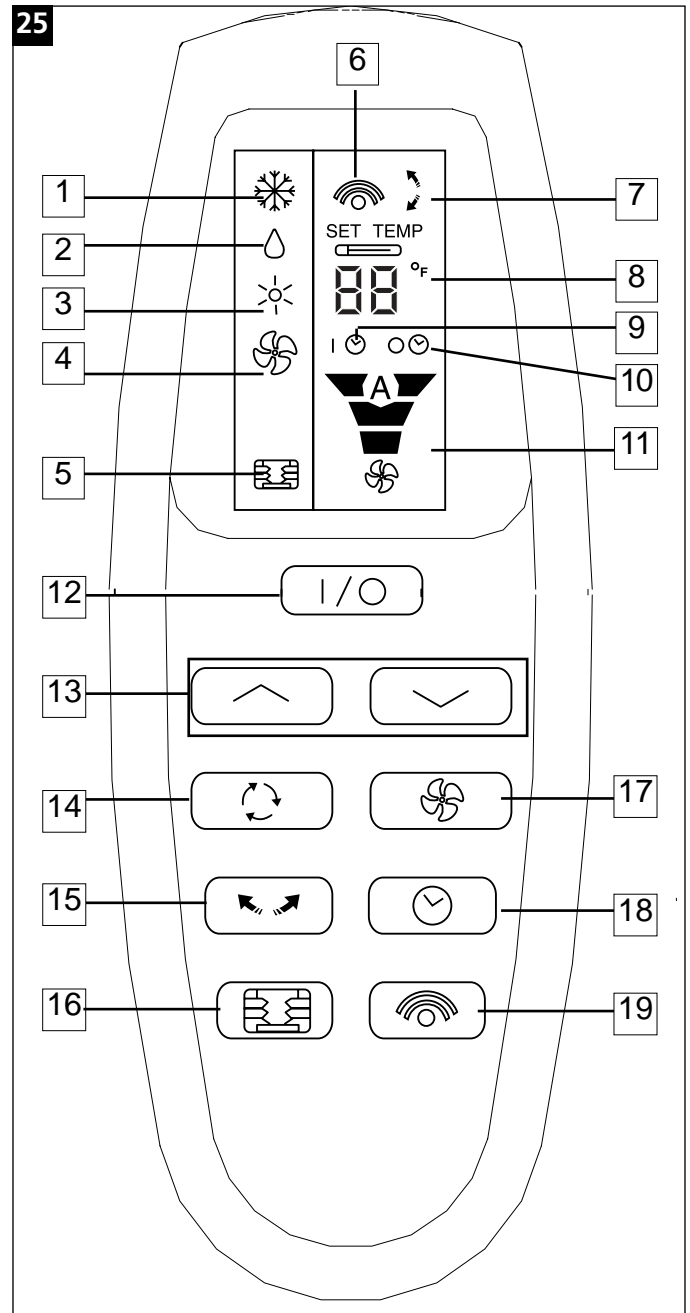
Teclado del control remoto

- 12 Encendido/Apagado
- 13 Temperatura / Reloj
- 14 Modo
- 15 Balanceo
- 16 Aire inteligente
- 17 Ventilador
- 18 Reloj
- 19 Retransmitir*

* El botón Retransmitir volverá a enviar su orden más reciente del control remoto

NOTA: Cuando use el control remoto, apúntelo directamente al receptor de la unidad interior. La distancia efectiva máxima entre el control remoto y el receptor es alrededor de 27 pies (8.2 metros). La unidad emite un bip una sola vez para confirmar que se ha recibido la señal del control remoto.

NOTA: Para mostrar la temperatura en grados Celsius, oprima simultáneamente los botones Temperatura/Reloj.



Interruptor Auto control

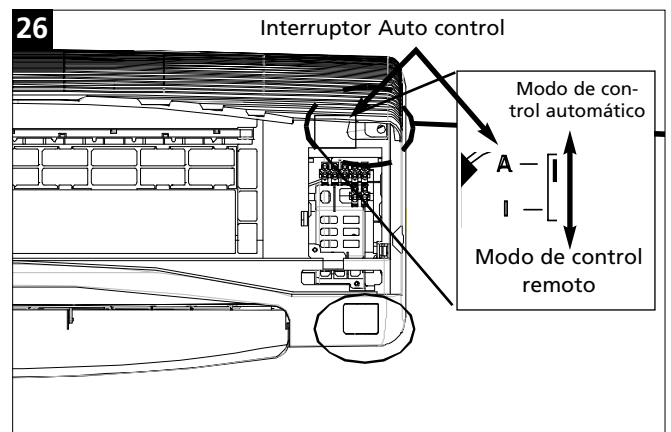
Si el control remoto no funciona o está extraviado, puede operar la unidad en Modo automático al mover el interruptor Auto Control a la posición "A" bajo la rejilla delantera.

Esta posición operará el acondicionador de aire de la siguiente manera:

Si la temperatura de la habitación se eleva por encima de 75° grados F (23.9 grados C), la unidad funcionará en modo de enfriamiento.

Si la temperatura de la habitación se encuentra entre 68° F y 75° F (20 y 23.9 °C), la unidad funcionará en modo de deshumidificación.

Si la temperatura de la habitación cae por debajo de 68°F (20 °C), la unidad operará en modo de calefacción (sólo los modelos con bomba de calor).



Arrancar el acondicionador de aire

Teclado del control remoto	Pantalla del control remoto	Pantalla en tablero	
			<ul style="list-style-type: none"> • Oprima el botón de Encendido/Apagado en el control remoto • La persiana ajustable de salida de aire comenzará a girar <p>Luego: Seleccionar modo (página 16) Luego: Seleccionar ajustes: Velocidad del ventilador, posición de persiana ajustable (página 17)</p>

Ajustar el reloj

Con el reloj, puede encender o apagar su acondicionador de aire en horas predeterminadas.

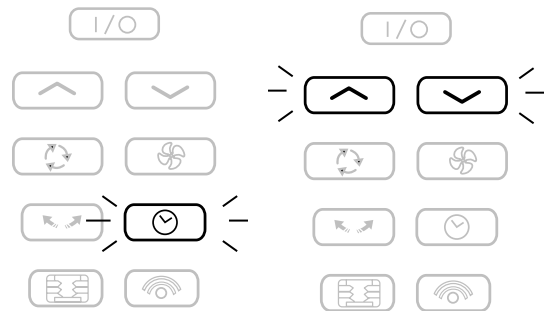
Ajustar el reloj para arrancar la unidad

Seleccione la hora deseada para que el acondicionador de aire comience a funcionar. El acondicionador de aire seguirá estando en modo APAGADO hasta que el reloj la active.

- Con la unidad en funcionamiento, seleccione el modo y temperatura deseados y luego apague la unidad
- Oprima el botón del Reloj para activar el Reloj
- Oprima el botón selector de hora. Cada vez que se oprime el botón, el reloj aumentará o disminuirá en incrementos de una hora
- La luz indicadora amarilla en el tablero, en la unidad interior, se enciende cuando se ajusta el funcionamiento del reloj

Ajustar el reloj para detener la unidad

- Mientras la unidad está en el modo de funcionamiento y temperatura deseados, oprima el botón del reloj para activar el reloj
- Oprima el botón selector de hora para aumentar o disminuir el tiempo en incrementos de 1 hora
- La luz indicadora amarilla en el tablero, en la unidad interior, se enciende cuando se ajusta el funcionamiento del reloj



Botón Reloj

Ajuste el reloj usando estos botones.

NOTA:

Para cancelar el ajuste del reloj, sólo oprima otra vez el botón del reloj en control remoto. El LED amarillo se apagará, lo que indica que la función del reloj se canceló.

Select mode

Modo	Teclado del control remoto	Pantalla del control remoto	Pantalla en tablero
<p>Modo de enfriamiento</p> <ul style="list-style-type: none"> • Encienda su acondicionador de aire al oprimir el botón de Encendido/Apagado en el control remoto • Oprima el botón de Modo hasta que el modo de enfriamiento se seleccione en la pantalla del control remoto. El indicador azul de la pantalla en el tablero se encenderá • Ajuste la temperatura al oprimir los botones de temperatura para subir o bajar la temperatura fijada 	<p>1 </p> <p>2 </p> <p>3 </p>		<p>72</p> <p>Cuando está en modo de enfriamiento, el LED azul brillará.</p>
<p>Modo de deshumidificación</p> <ul style="list-style-type: none"> • Encienda su acondicionador de aire al oprimir el botón de Encendido/Apagado en el control remoto • Oprima el botón de Modo hasta que el modo de deshumidificación se seleccione en la pantalla del control remoto El indicador verde de la pantalla en el tablero se encenderá <p>NOTA: La velocidad del ventilador es siempre baja en el modo de deshumidificación.</p>	<p>1 </p> <p>2 </p>		<p>72</p> <p>Cuando está en modo de deshumidificación, el LED verde brillará.</p>
<p>Modo de calefacción (sólo modelos con bomba de calor)</p> <ul style="list-style-type: none"> • Encienda su acondicionador de aire al oprimir el botón de Encendido/Apagado en el control remoto • Oprima el botón selector de modo hasta que el modo de calefacción se seleccione en la pantalla del control remoto El indicador rojo de la pantalla en el tablero se encenderá • Ajuste la temperatura al oprimir los botones de temperatura para subir o bajar la temperatura fijada • Modo de descongelamiento: Si se forma hielo en el serpentín exterior, la unidad pasará automáticamente a modo de Descongelamiento. Cuando la unidad está en modo de descongelamiento el LED rojo destellará. No se dispondrá de calor hasta que termine el descongelamiento. 	<p>1 </p> <p>2 </p> <p>3 </p>		<p>78</p> <p>Cuando está en modo de calefacción, el LED rojo brillará.</p> <p>Cuando está en modo de descongelamiento, el LED rojo destellará.</p>
<p>Modo de ventilación</p> <ul style="list-style-type: none"> • Encienda su acondicionador de aire al oprimir el botón de Encendido/Apagado en el control remoto • Oprima el botón de Modo hasta que el modo de ventilación se seleccione en la pantalla del control remoto 	<p>1 </p> <p>2 </p>		<p>F _ Ventilador bajo</p> <p>F = Ventilador medio</p> <p>F ≡ Ventilador alto</p>

Seleccionar ajustes

Su acondicionador de aire tiene tres ajustes configurables:

Velocidad del ventilador, Balanceo (dirección de aire), y Aire inteligente (memoria)

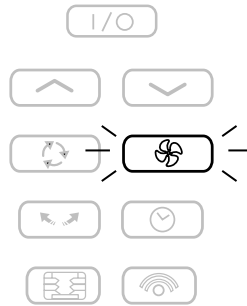
Ajuste de velocidad del ventilador

Mientras la unidad está en funcionamiento, oprima el botón de velocidad del ventilador para fijar la velocidad del ventilador en baja, mediana, alta, o automática.

Cuando se selecciona el ajuste de ventilador automático mientras el acondicionador de aire está en modo de enfriamiento, la velocidad del ventilador cambiará automáticamente a medida que cambia la temperatura en la habitación.

NOTA: El ajuste de ventilador no se aplica al Modo de deshumidificación.

Teclado del control remoto



La siguiente tabla identifica las diferentes velocidades del ventilador que se muestran en el control remoto y en la unidad interior.

Velocidad del ventilador	Ventilador bajo	Ventilador medio	Ventilador alto	Ventilador auto
Pantalla del control remoto				
Pantalla en tablero	F _	F =	F ≡	F A

Ajuste de balanceo (dirección de aire)

Puede dirigir el flujo de aire de su acondicionador de aire a la habitación usando el botón de Balanceo. También puede hacer un barrido del aire hacia arriba y hacia abajo.

Botón de balanceo

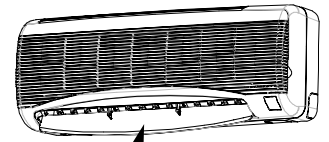
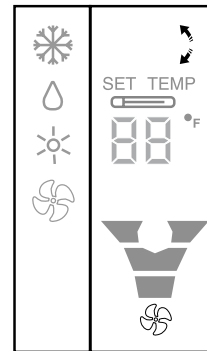
- Encienda su acondicionador de aire al oprimir el botón de Encendido/Apagado en el control remoto
- Oprima el botón de Balanceo para mover la persiana ajustable de salida de aire entre las posiciones horizontal y vertical

NOTA: El ajuste preestablecido para modos de enfriamiento y deshumidificación es horizontal y para el modo de calefacción es vertical.

Teclado del control remoto



Pantalla del control remoto



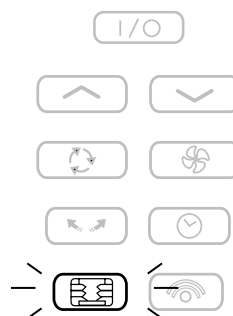
Persiana ajustable de salida de aire

Ajuste de Aire inteligente (memoria)

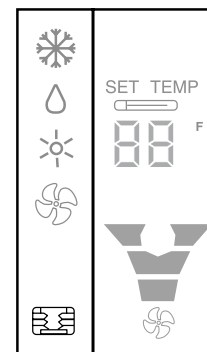
Le permite guardar sus ajustes preferidos en memoria y reactivarlos con un botón.

- Oprima el botón Encendido / Apagado para encender la unidad
- Oprima el botón de Modo y seleccione el modo de funcionamiento, la temperatura y la posición de las aspas
- Oprima el botón Aire inteligente dos veces para guardar el ajuste en memoria. La pantalla mostrará "IF"
- Para recordar el ajuste guardado, oprima una vez el botón Aire inteligente. Habrá un retraso de cinco segundos antes de que comience el ajuste almacenado

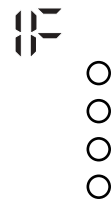
Teclado del control remoto



Pantalla del control remoto



Pantalla en tablero



Limpieza de los filtros de aire

Los filtros de aire sucios causarán una reducción del flujo de aire, lo que a su vez causa que la unidad se sobrecargue, lo que reduce el desempeño de enfriamiento o calefacción y aumenta el consumo de electricidad.

Limpie los filtros cada dos semanas.

- Apague la unidad.
- Para retirar los filtros de aire, levante la rejilla delantera y jale los filtros de la unidad.
- Lave los filtros en agua jabonosa tibia, enjuáguelos y sacúdalos para secarlos.
- Vuelva a colocar los filtros, con el frente hacia usted.

NOTA: Para secar el filtro completamente, ponga en marcha la unidad durante algunos minutos. Recuerde: La unidad sólo funcionará adecuadamente y tendrá un alto rendimiento en cualquier posición si el filtro está limpio.

NOTA: El no mantener limpio el filtro de aire puede ser causa de mala circulación de aire.

NOTA: El uso y cuidado adecuados de su acondicionador de aire ayudarán a garantizar una vida útil más larga de la unidad.

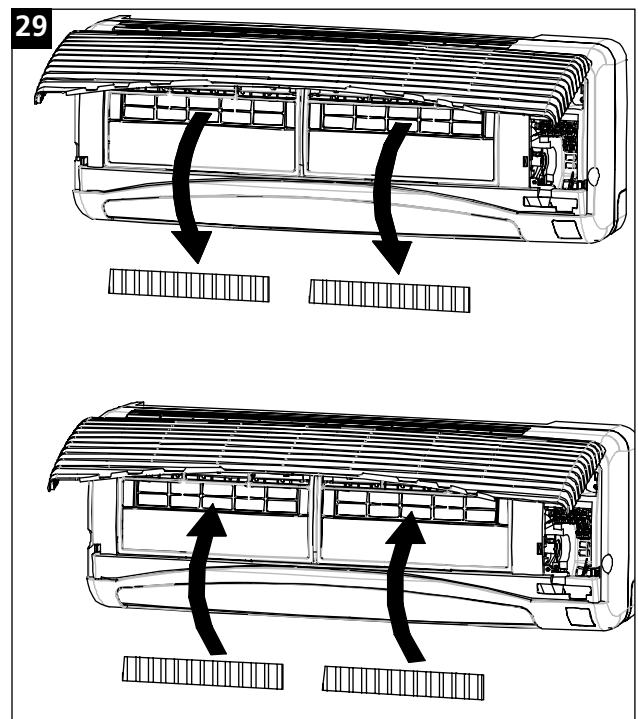
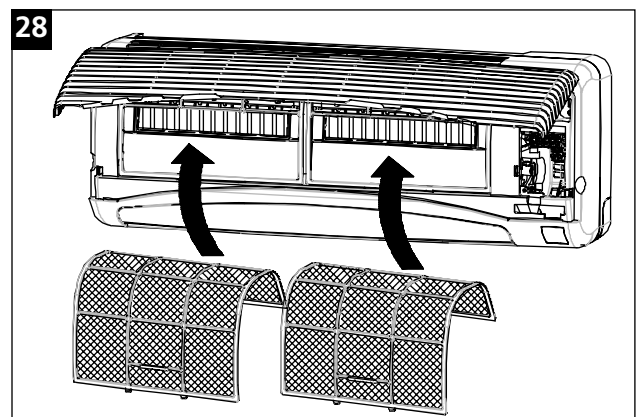
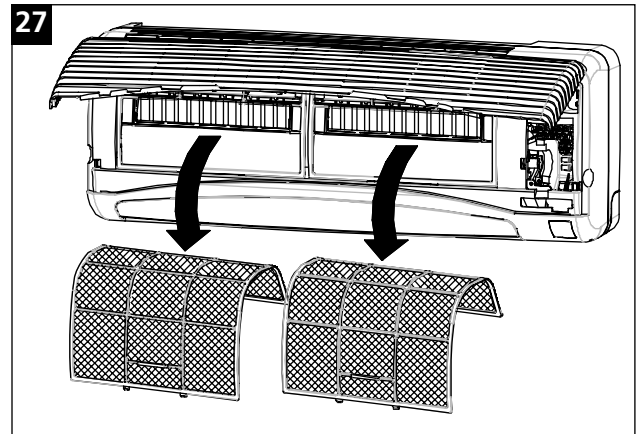
Se recomienda que un proveedor de servicios de reparación autorizado inspeccione y limpie anualmente los serpentines y haga circular aire comprimido por los pasos agua del condensado. Una manguera de drenaje obstruida puede provocar pérdidas de agua de condensado y causar daños materiales. Expense of annual inspection is the consumer's responsibility.

PRECAUCIÓN: No opere sin filtro. Esto puede hacer que la unidad no funcione.

Filtro de aire complementario (no disponible en todos los modelos)

Se recomienda reemplazar los filtros de aire complementarios cada 3 meses o cuando estén muy sucios.

- Retire los filtros de aire y luego retire los filtros de aire complementarios de la unidad cada 3 meses o si están muy sucios o desgastados
- Instale nuevos filtros de aire complementarios

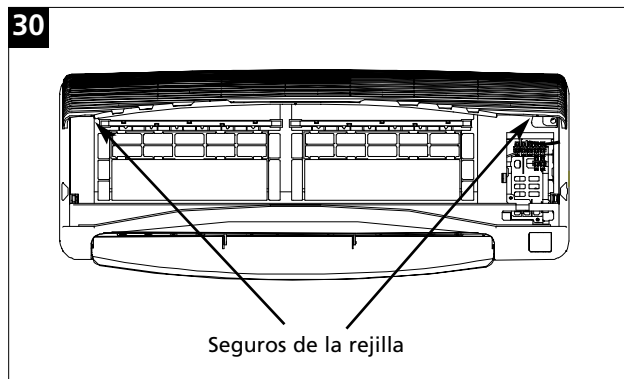


Limpieza del gabinete

- Limpie el gabinete del acondicionador de aire con un trapo húmedo
- No use disolventes ni limpiadores agresivos
- No use agua por encima de 104 °F (40 °C) para la limpieza, pues esto causará decoloración y deformación
- No salpique ni rocíe agua a la unidad, pues puede causar un corto circuito

Retirar la rejilla

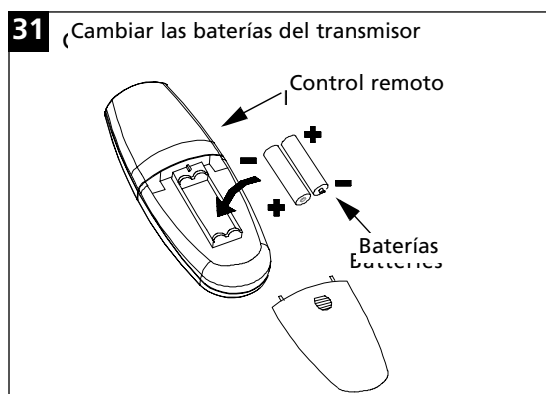
- Abra la rejilla y retire dos seguros de la rejilla junto a las bisagras de la rejilla
- Levante la rejilla y sáquela de la unidad interior



Cambiar las baterías del control remoto

- Con el reverso del control remoto hacia usted, deslice y recorra la cubierta de las baterías
- Ponga dos baterías nuevas tamaño "AAA" en el compartimiento de baterías
- Deslice la cubierta de las baterías a su posición original

⚠ ADVERTENCIA ⚠
<ul style="list-style-type: none"> • Use sólo baterías AAA o IEC R03 de 1.5 voltios • Retire las baterías si el control remoto no se usa un mes o más • No intente recargar las baterías incluidas • Se deberá reemplazar ambas baterías al mismo tiempo • No arroje las baterías al fuego, pues pueden explotar • No mezcle baterías nuevas y viejas • No mezcle baterías alcalinas, estándar (carbón-zinc) y recargables (níquel-cadmio) • No instale las baterías con la polaridad (+/-) invertida • Mantenga las baterías y otros objetos que se podrían tragar fuera del alcance de los niños. Comuníquese inmediatamente con un doctor si alguien traga un objeto.



Comprobación de fallas

Incidente	Causa posible	Solución
Acondicionador de aire no funciona	Circuito de la casa fundido o disyuntor de circuito disparado Las baterías control remoto están descargadas Desperfecto del circuito de control	Restablezca el disyuntor de circuito Reemplace las baterías Comuníquese con el instalador
El agua está goteando en el interior	Instalación inadecuada o tubo de drenaje obstruido	Comuníquese con el instalador
El agua se está drenando en el exterior	La unidad está retirando humedad de una habitación húmeda	Esto es normal en días húmedos
Ruido cuando la unidad está enfriando	Sonido de movimiento del aire Vibración — mala instalación	El sonido del aire al pasar es normal. Si es demasiado intenso, use un ajuste menor del ventilador Comuníquese con el instalador
No está enfriando de manera eficiente	Filtros de aire sucios	Limpie los filtros
El compresor del acondicionador de aire no funciona durante tres minutos después de volver a arrancar	El circuito de protección del compresor impide que el compresor funcione durante tres minutos después de volver a arrancar	Esto es normal. Espere tres minutos antes de volver a arrancar
El ventilador se acelera en modo de enfriamiento durante la operación de enfriamiento	Descongelación de serpentín interior	Esto es normal en días húmedos
La unidad exterior deja de funcionar durante aproximadamente 15 minutos (modelos con bomba de calor)	La unidad está fundiendo hielo que se formó en el serpentín exterior	Esto es normal

Cómo obtener servicio o repuestos de garantía

Nota: Antes de llamar para pedir servicio, lea cuidadosamente este manual de instalación y operación.

Para modelos instalados en Norteamérica:

Primero, haga las comprobaciones recomendadas en la Guía de comprobación de fallas.

1. Comuníquese con su instalador para solicitar servicio de garantía.
2. Si su instalador no puede auxiliarle en la reparación o si necesita más asistencia, comuníquese con CareCo para solicitar el nombre de un proveedor de servicios de reparación autorizado.

Puede comunicarse con CareCo por correo electrónico:

customerservice@fedders.com

al llamar al siguiente número sin cargo de larga distancia:

1-217-347-6562

or you may write:

CareCo, Service Department

415 W. Wabash Ave., P.O. Box 200

Effingham, IL 62401, Estados Unidos

Para modelos instalados fuera de Norteamérica:

Para los acondicionadores de aire para habitación adquiridos para su uso fuera de Norteamérica, el fabricante no extiende garantía alguna, sea expresa o implícita. Consulte con su proveedor local respecto a las condiciones de garantía extendida por el importador en su país.

Prueba de la fecha de compra

Es responsabilidad del cliente establecer la fecha de compra original con fines de garantía. Recomendamos que con ese fin se conserve una factura de venta, cheque cancelado o algún otro registro de pago. Si no se puede verificar una prueba de compra, entonces se considerará que la fecha de compra es la fecha de fabricación más 6 (seis) meses.

Garantía de acondicionador de aire de tipo dividido sin conducto

(En los 48 estados continentales de Estados Unidos, el estado de Hawaii, el distrito de Columbia, Puerto Rico y Canadá)

Garantía completa (un año) en repuestos y mano de obra

Durante el primer año después de la fecha de compra original, Fedders reparará o reemplazará, a través de sus proveedores de servicios de reparación autorizados y sin cargo para el propietario o cualquier usuario subsecuente, las piezas que muestren defectos en material o mano de obra debido al uso normal. El acceso fácil al acondicionador de aire para el proveedor de servicios de reparación es responsabilidad del propietario.

Garantía limitada del sistema sellado (cinco años) / Garantía de piezas del motor del ventilador (dos años)

Además de la garantía completa (un año) en repuestos y mano de obra descrita arriba, Fedders cambiará, a través de sus proveedores de servicios de reparación autorizados o distribuidores de repuestos, piezas del sistema sellado (que consiste en compresor, evaporador, condensador y tubos de interconexión) desde el segundo hasta el quinto año inclusive, y el motor del ventilador durante el segundo año, ambos a partir de la fecha de compra original, siempre y cuando las piezas muestren defectos en material o mano de obra. Los costos de transporte, manejo o mano de obra para diagnosticar, reparar o reemplazar esas piezas defectuosas no están cubiertas por esta garantía limitada de piezas y son responsabilidad del propietario.

En el caso de cualquier reemplazo de partes requerido dentro del periodo de esta garantía, se utilizarán repuestos Fedders y se garantizarán sólo por el periodo restante de la garantía original.

Excepciones

La garantía anterior no cubre la incapacidad de funcionar causada por daño a la unidad mientras se encuentre en su posesión (aparte del daño causado por defecto o desperfecto), o por su instalación inadecuada, o por uso poco razonable de la unidad, incluyendo sin limitación, el no dar un mantenimiento razonable y necesario, instalar la rejilla posterior correcta, o seguir las instrucciones de instalación y operación escritas. Si la unidad se pone en uso o aplicación comercial, de negocios, bajo renta o cualquier otro que no sea el uso del consumidor, no hacemos garantías, expresas o implícitas, incluyendo sin limitación, cualquier garantía impresa de comerciabilidad, o adecuación para un uso o propósito en particular.

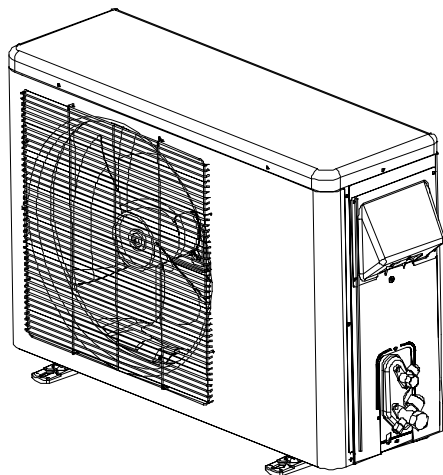
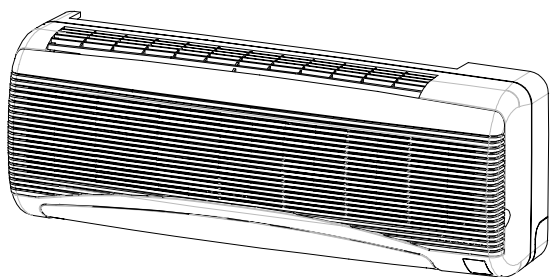
LOS RECURSOS ESTIPULADOS EN LA GARANTÍA EXPRESA ANTERIOR SON LOS ÚNICOS RECURSOS. POR LO TANTO NO SE HACEN OTRAS GARANTÍAS EXPRESAS O IMPLÍCITAS. TODAS LAS GARANTÍAS IMPLÍCITAS, INCLUYENDO PERO SIN LIMITARSE A CUALQUIER GARANTÍA IMPLÍCITA DE COMERCIABILIDAD O ADECUACIÓN PARA CUALQUIER USO O FIN, ESTÁN LIMITADAS EN DURACIÓN A UN AÑO A PARTIR DE LA FECHA DE COMPRA ORIGINAL. EN NINGÚN CASO FEDDERS SERÁ RESPONSABLE DE DAÑOS Y PERJUICIOS INDIRECTOS, INCIDENTALES O RESULTANTES, INCLUSO SI SE LE INFORMA POR ADELANTADO DE LA POSIBILIDAD DE TALES DAÑOS Y PERJUICIOS. NO SE HACEN GARANTÍAS, EXPRESAS O IMPLÍCITAS A COMPRADOR ALGUNO TRAS LA REVENTA.

Algunos estados no permiten limitaciones a la duración de una garantía implícita o no permiten la exclusión o limitación de daños y perjuicio incidentales o consecuentes, así que es posible que las limitaciones o exclusiones anteriores no se apliquen a usted. Esta garantía le otorga derechos específicos, y también puede tener otros derechos que varían de un estado a otro.

No se hacen garantías sobre unidades vendidas fuera de las áreas declaradas arriba. Su distribuidor o vendedor final puede proporcionar una garantía sobre unidades vendidas fuera de esas áreas.

FEDDERS® Climatiseur bi-bloc sans conduit

Guide d'installation et d'utilisation



Pour toute question, veuillez appeler le
1-217-347-6459
ou envoyez un courriel à : customerservice@fedders.com

⚠ MISE EN GARDE ⚠

Cet appareil ne peut être installé que par un technicien en climatisation qualifié, conformément aux normes électriques nationales et à la réglementation locale en vigueur.

Le non-respect des consignes figurant dans les présentes risque de causer une électrocution, un incendie et des blessures graves, voire mortelles.

TABLE DES MATIÈRES

INSTALLATION

CONSIGNES DE SÉCURITÉ	1
SCHÉMAS DE CÂBLAGE	2
LISTE DE PIÈCES	3
CHOIX DU SITE D'INSTALLATION	4

INSTALLATION DE LA SECTION INTÉRIEURE

Installation du support mural	5
Perforation du trou d'accès de la tubulure.....	5
Retrait du couvercle de base	6
Installation de la section intérieure sur le support mural	6
Câblage de la section intérieure	6
Découpage de la tubulure et des câbles.....	7
Connexion de la tubulure à la section intérieure.....	7

INSTALLATION DE LA SECTION EXTÉRIEURE

Emplacement de la section extérieure	8
Installation de la section extérieure	8
Connexion des fils électriques	9
Connexion de la tubulure de la section extérieure....	10
Recherche de fuite de réfrigérant	10
Évacuation de l'air dans la tubulure et la section intérieure	10
Ouverture des vannes de fonctionnement.....	10
Installation des attaches de tubulure	10

INSTALLATION FINALE

Réinstallation du couvercle de base	11
Mise sous tension de l'alimentation électrique	11

FONCTIONNEMENT

CONSIGNES DE SÉCURITÉ IMPORTANTES	12
CARACTÉRISTIQUES	12
UTILISATION DE LA TÉLÉCOMMANDE	13
Démarrage du climatiseur	14
Réglage de la minuterie	14
Sélection du mode de fonctionnement.....	15
Sélection des paramètres de fonctionnement	16

ENTRETIEN

Nettoyage des filtres à air	17
Filtre à air complémentaire	17
Nettoyage du boîtier	18
Remplacement des piles de la télécommande	18

DÉPANNAGE	19
-----------------	----

GARANTIE	20
----------------	----



MISE EN GARDE



Risque d'électrocution

- Cet appareil ne peut être installé que par un technicien en climatisation qualifié, conformément aux normes électriques nationales et à la réglementation locale en vigueur.
- Le non-respect des consignes figurant dans les présentes risque de causer une électrocution, un incendie et des blessures graves, voire mortelles.
- Utiliser des conducteurs en cuivre de grosseur appropriée et avec une protection de capacité appropriée.



Exigences importantes de mise à la terre

- Ne pas utiliser ce climatiseur sans une protection appropriée de circuit temporisé (disjoncteur ou fusible). Voir les exigences d'alimentation électrique sur la plaque signalétique de l'appareil.
- Ce climatiseur nécessite une alimentation séparée sur un circuit distinct protégé par fusible.
- Pour réduire les risques d'électrocution, le climatiseur doit bénéficier d'une mise à la terre appropriée.

⚠ MISE EN GARDE ⚠

Ce symbole indique un risque de blessure grave, voire mortelle

⚠ ATTENTION ⚠

Ce symbole indique un risque de blessure ou de dommage matériel



MISE EN GARDE



Consignes de sécurité supplémentaires

- **Ne pas** stocker ou utiliser de l'essence ou tout autre liquide inflammable ou dégageant des vapeurs inflammables à proximité de cet appareil ou de tout autre appareil. Les émanations peuvent causer un incendie et une explosion.
- **Ne pas** introduire des objets dans les orifices de sortie d'air. Une telle action risquerait de causer des dommages permanents à l'appareil.
- **Ne pas** utiliser sans filtre.
- **Ne pas** obstruer l'entrée d'air du climatiseur, ce qui risquerait d'occasionner une surchauffe, laquelle déclencherait le commutateur de sécurité, provoquant ainsi l'arrêt du climatiseur.
- **Ne pas** bloquer la circulation d'air sur les événements extérieurs du boîtier.
- **Ne pas** bloquer la circulation d'air à l'intérieur par des stores, des rideaux ou des meubles, ni à l'extérieur avec des arbres, un boîtier supplémentaire ou une construction quelconque.
- **Ne pas** faire fonctionner le climatiseur lorsqu'il est recouvert d'une housse protectrice. Une telle action risquerait de causer un incendie et des dommages mécaniques dans le climatiseur.
- **Nettoyer le filtre à air du climatiseur toutes les deux semaines pour éviter les obstructions pouvant causer une surchauffe.**
- Au moins deux personnes sont nécessaires pour installer ou déplacer le climatiseur. Si l'installateur travaille seul, il risque de se blesser, notamment au dos.

Spécifications électriques

BTU	Tension Évaporateur	Tension Condenseur	Fusible max. A	Grosueur des fils d'alimentation	Grosueur des fils de signal
9,000	24VDC*	115v	15	14 awg	18 awg (min)
12,000	24VDC*	230v	15	14 awg	18 awg (min)

* La tension électrique alimentant l'évaporateur provient du condenseur



MISE EN GARDE

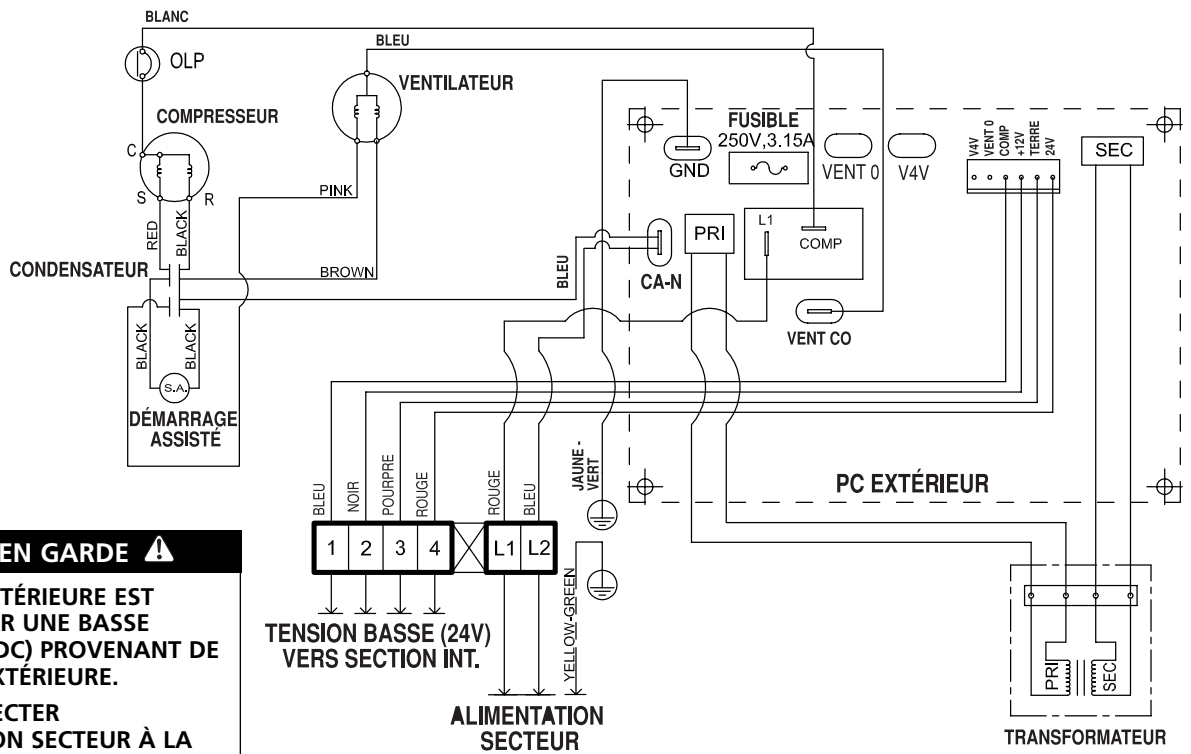


LA SECTION INTÉRIEURE EST ALIMENTÉE PAR UNE BASSE TENSION (24VDC) PROVENANT DE LA SECTION EXTÉRIEURE. NE PAS CONNECTER L'ALIMENTATION SECTEUR À LA SECTION INTÉRIEURE.

Schémas de câblage

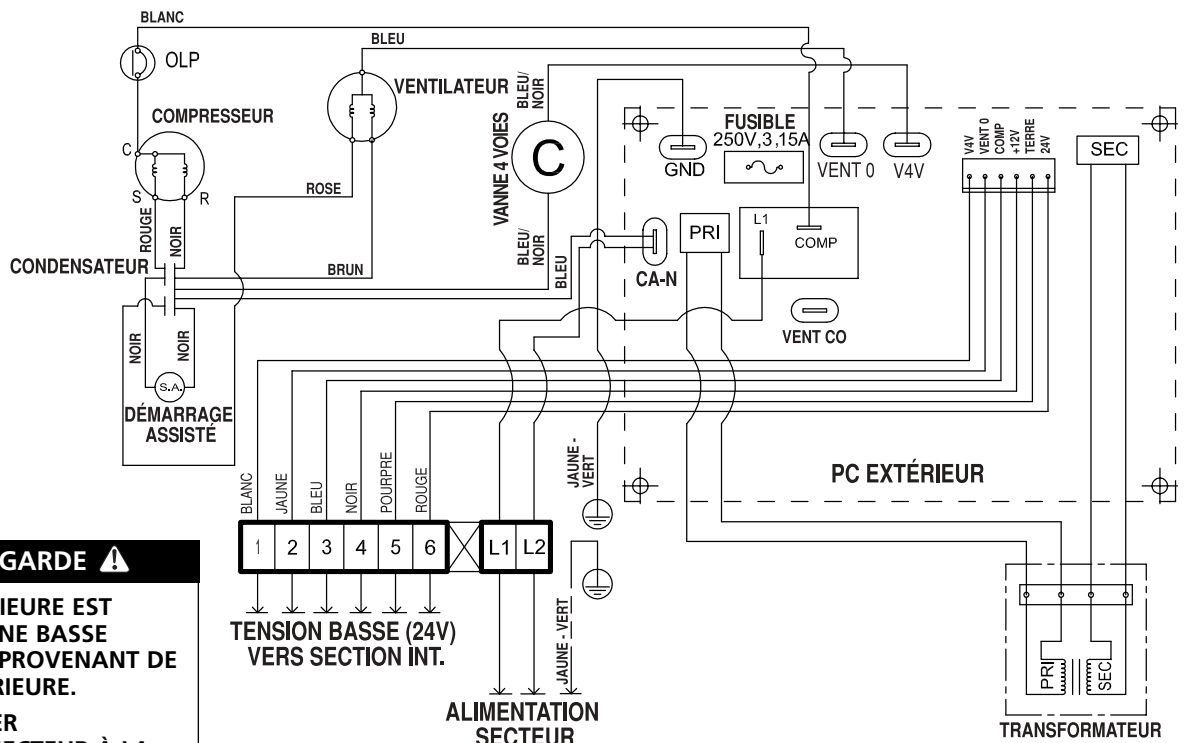
Voici les schémas de câblage des appareils avec refroidissement uniquement et avec pompe à chaleur.

Appareil avec refroidissement uniquement



⚠ MISE EN GARDE ⚠
 LA SECTION INTÉRIEURE EST ALIMENTÉE PAR UNE BASSE TENSION (24VDC) PROVENANT DE LA SECTION EXTÉRIEURE.
 NE PAS CONNECTER L'ALIMENTATION SECTEUR À LA SECTION INTÉRIEURE.

Appareil avec pompe à chaleur

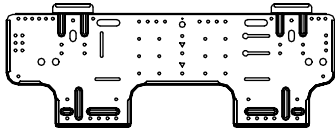

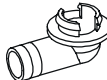

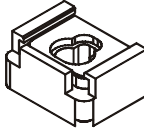
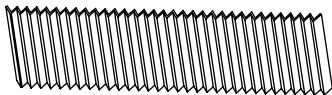

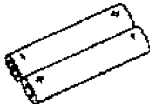



⚠ MISE EN GARDE ⚠
 LA SECTION INTÉRIEURE EST ALIMENTÉE PAR UNE BASSE TENSION (24VDC) PROVENANT DE LA SECTION EXTÉRIEURE.
 NE PAS CONNECTER L'ALIMENTATION SECTEUR À LA SECTION INTÉRIEURE.

LISTE DE PIÈCES

Liste de pièces

Plusieurs pièces d'installation ont été placées dans la section intérieure avant l'expédition. Avec la liste ci-dessous, confirmer qu'il ne manque aucune pièce.

Description	Illustration	Quantité
Support mural		1
Vis de montage du support mural		6
Adaptateur de drain (modèles avec pompe à chaleur uniquement)		1
Garniture (modèles avec pompe à chaleur uniquement)		1
Patins de réglage		4
Filtres de purification		2
Télécommande		1
Piles AAA (télécommande)		2
Support de télécommande		1

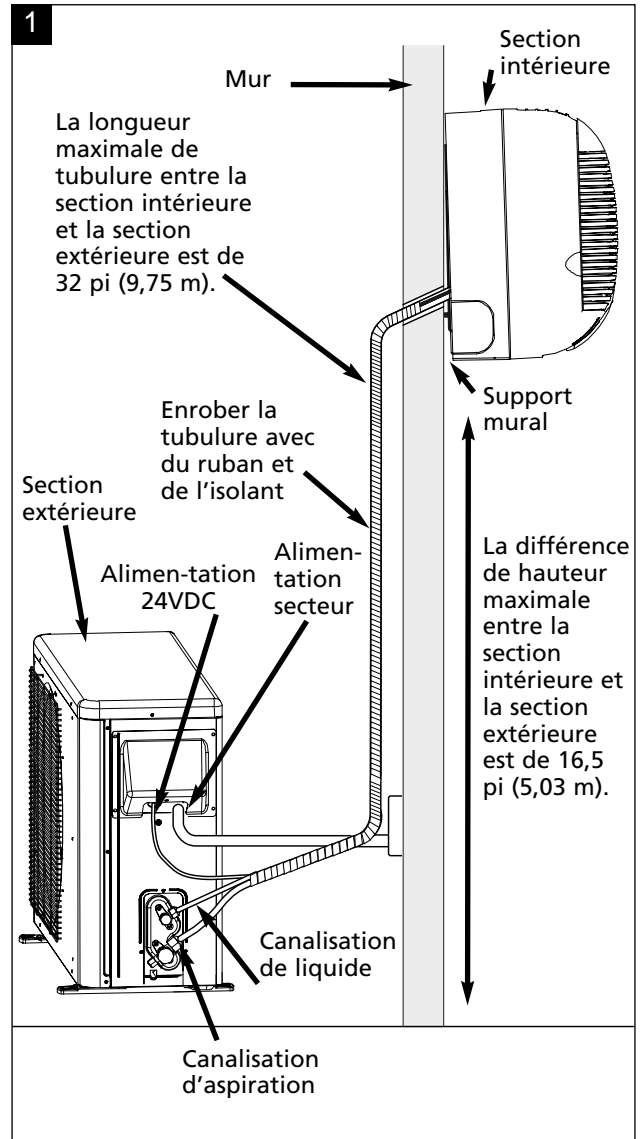
Avant de commencer l'installation, déterminer le site d'installation de la section intérieure et de la section extérieure. Il est important de mesurer correctement la longueur de tubulure nécessaire entre les deux sections.

Sélectionner l'emplacement de la section extérieure

- S'assurer que les dispositifs de refoulement de la section extérieure ne sont pas obstrués par des plantes ou des débris.
- Ne pas installer la section intérieure ou extérieure à proximité d'une source de chaleur, de vapeur ou de gaz inflammable.
- Installer l'équipement dans un emplacement offrant un accès facile pour l'entretien.

Sélectionner l'emplacement de la section intérieure

- Installer la section intérieure dans un endroit où doit sortir l'air frais à l'intérieur.
- Installer la section intérieure dans un endroit où le jet d'air ne sera pas obstrué.
- Le mur sur lequel la section intérieure sera installée doit être structurellement solide et doit pouvoir supporter le poids de l'équipement.
- Il est préférable d'installer la section intérieure sur un mur extérieur offrant un accès à un dispositif de drainage adéquat.
- Installer l'équipement de façon à permettre le retrait rapide du filtre à air et l'exécution sans interférence des opérations d'entretien.
- Préserver les espaces minimaux avec les murs, le plafond et le plancher qui sont indiqués dans le figure 3, page 5 de ce manuel.



ATTENTION

Longueur de tubulure et charge de réfrigérant

La section intérieure est livrée avec une charge de réfrigérant suffisante pour une tubulure atteignant 16,4 pi (5 m).
 S'il est nécessaire d'installer une tubulure dépassant 16,4 pi (5 m), ajouter 0,23 oz/pi de réfrigérant pour chaque longueur supplémentaire de 1 pi (30,48 cm).

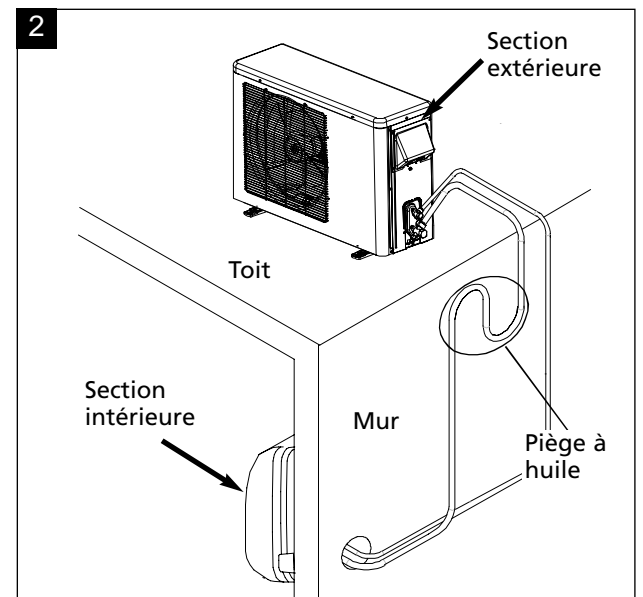
La longueur maximale de tubulure entre la section intérieure et la section extérieure est de 32 pi (9,75 m).

ATTENTION

Hauteur de l'appareil

Si la section extérieure est plus haute que la section intérieure, un piège à huile doit être installé tous les 12 pieds (3,66 m) sur la canalisation d'admission.

La différence de hauteur maximale entre la section intérieure et la section extérieure est de 16,5 pi (5,03 m).



Installation du support mural

- Avec les vis prévues à cet effet, fixer le support mural directement sur le mur et dans les poteaux de charpente (voir figure 3).
- Lorsque le support mural est installé, s'assurer qu'il est toujours au niveau.
- Si aucune poutre de charpente n'est disponible, il est recommandé d'utiliser un boulon à ailettes ou un autre système semblable d'ancrage pour cloisons sèches.
- Si le support est installé sur un mur en béton, utiliser des boulons d'ancrage pour fixer le haut du support au mur.
- Éviter tout serrage excessif des deux vis inférieures, ce qui pourrait déformer le support. Il doit y avoir un espace de 0,20 po (5 mm) entre le support et le mur.

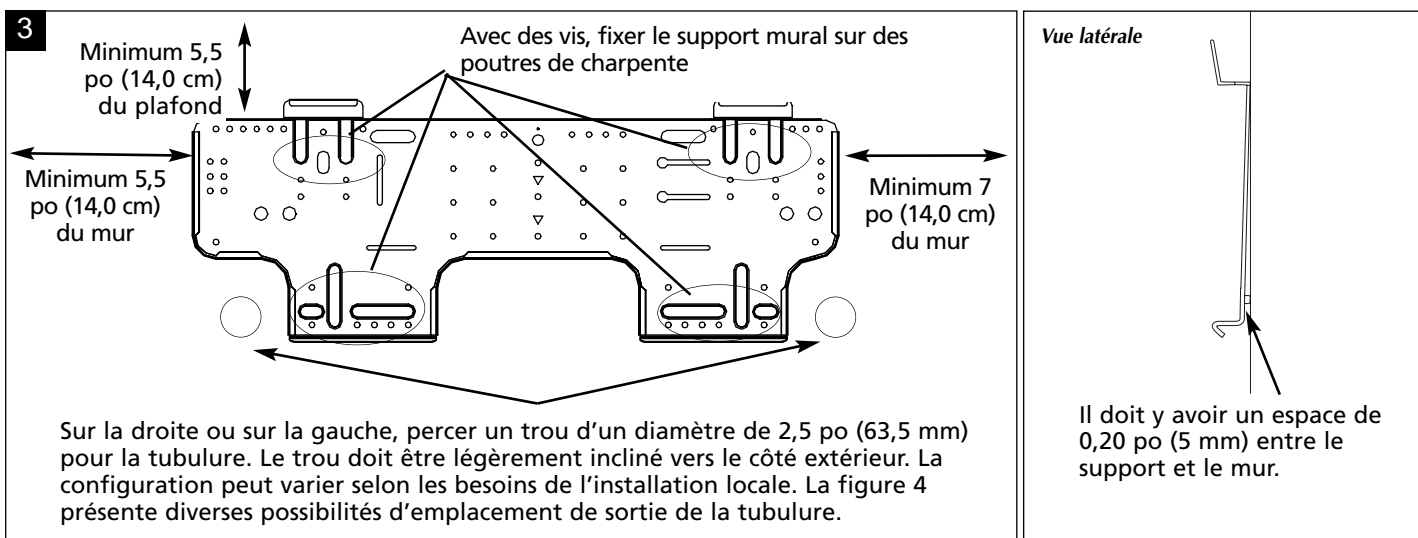


ATTENTION



S'assurer que le support mural est au niveau.

Si la section murale n'est pas installée au niveau, de l'eau condensée s'écoulera de l'appareil, risquant d'endommager les murs et les moquettes en dessous.

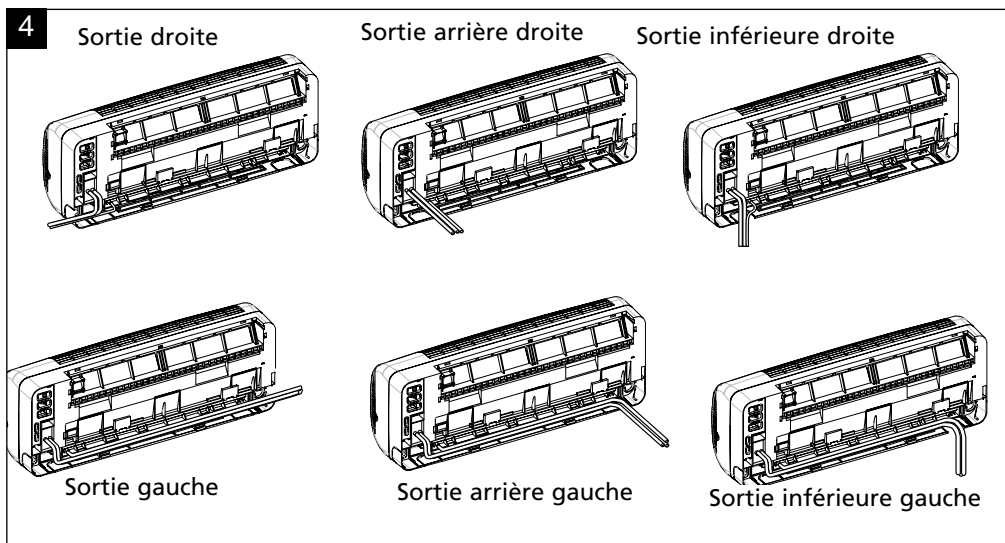


Perforer le trou d'accès de la tubulure

Perforer un trou d'accès d'un diamètre de 2,5 po (63,5 mm) pour faire passer la tubulure vers la section extérieure. Le trou doit être légèrement incliné vers le côté extérieur.

Une installation typique utilise la sortie arrière droite ou gauche, conformément à la figure 3.

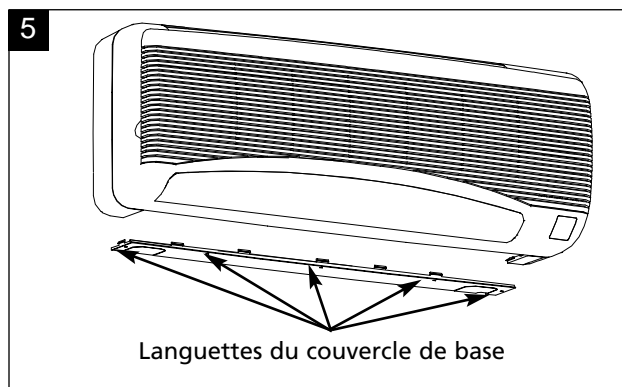
La figure 4 indique d'autres configurations pouvant convenir à d'autres installations.



Retrait du couvercle de base

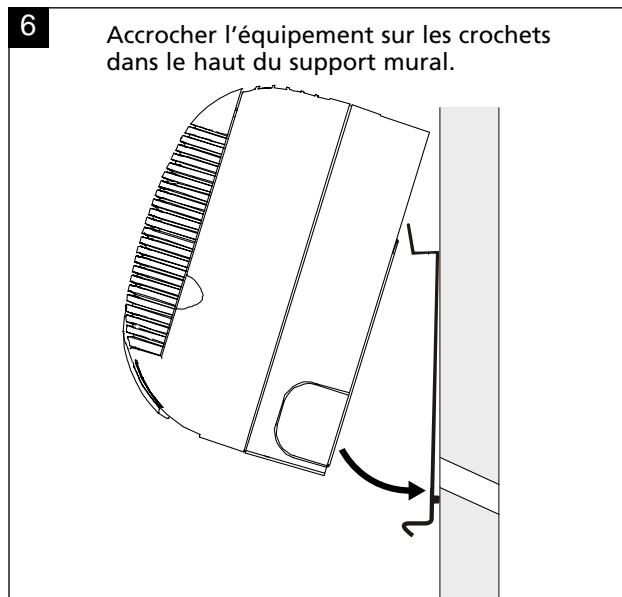
Retirer le couvercle de base, de façon à pouvoir accéder à la tubulure et aux connexions électriques.

- Utiliser un tournevis à pointe plate pour dégager les languettes du couvercle de base de la section intérieure. La position des languettes est indiquée par des symboles triangulaires sur la plaque de base.
- Ne pas tourner le tournevis pour détacher le couvercle de base sur la section intérieure (une telle action risquerait d'endommager les composants en plastique).



Installation de la section intérieure sur le support mural

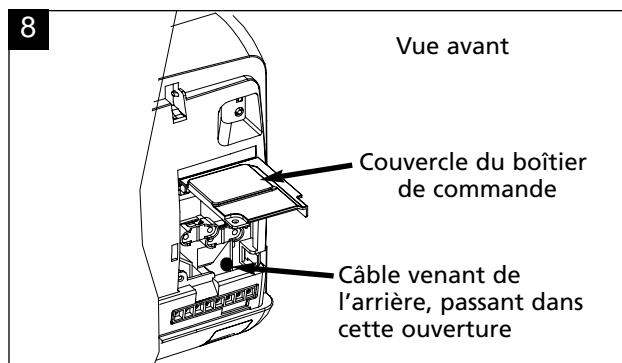
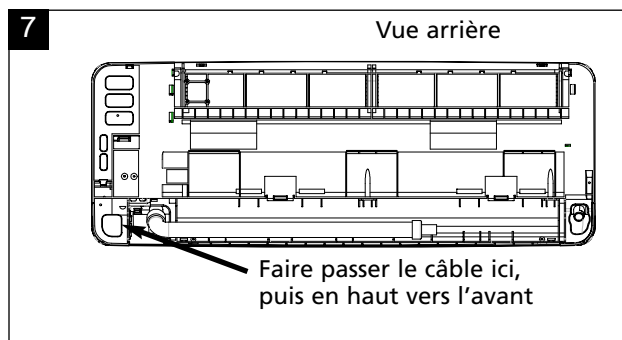
- Les raccordements électriques de la section intérieure doivent être terminés avant de l'installer sur le support mural.
- Accrocher l'équipement sur les crochets dans le haut du support mural.
- S'assurer que l'équipement est au niveau.
- S'assurer que le tuyau de drainage, la tubulure et les fils de connexion sont correctement alignés et bien placés.



Câblage de la section intérieure

Connecter les fils de la section intérieure en ouvrant la grille avant décorative, puis exécuter les opérations suivantes :

- Enlever les vis retenant le couvercle du boîtier de commande
- Connecter les fils électriques conformément aux schémas de câblage de la page 2 (un schéma de câblage figure également sur l'équipement).
- Faire passer les fils électriques depuis l'arrière et vers le haut dans l'ouverture avant, conformément à la figure 7.
- S'assurer que toutes les bornes sont bien serrées.



Découpage de la tubulure et des câbles

- Mesurer la distance entre la section intérieure et la section extérieure.
- Couper la tubulure avec environ 10% de plus que la distance mesurée.
- Couper les fils électriques avec au moins 6,5 pieds (1,98 m) de plus que la distance mesurée.



ATTENTION



Enlever les ébarbures sur les rebords de la tubulure coupée. Si les ébarbures ne sont pas enlevées, elles risquent de causer une fuite de réfrigérant durant le fonctionnement de l'équipement.



ATTENTION



Toute courbure de la tubulure doit avoir un rayon d'au moins 4 po (100 mm) pour éviter les fuites. Plier les tubes avec délicatesse.

Ne pas enlever le raccord conique sur la tubulure de la section intérieure avant de procéder au raccordement à la section extérieure.

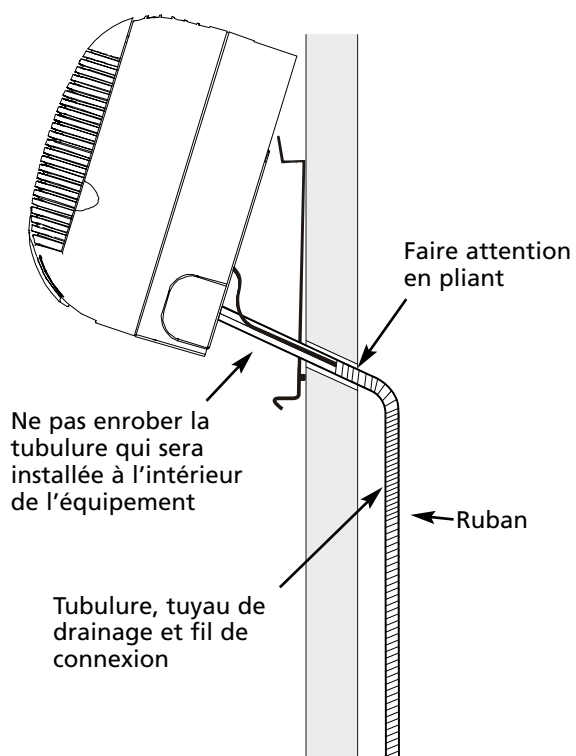
Connexion de la tubulure à la section intérieure

- Serrer suffisamment le raccord conique avec les doigts, puis avec une clé dynamométrique conformément au tableau de la figure 9.
- Avec du ruban, enrober toute la tubulure exposée. Ne pas enrober la tubulure qui sera installée à l'intérieur de l'équipement.
- Faire passer la tubulure, le tuyau de drainage et le fil de connexion dans le mur avec le tuyau de drainage dans le bas.
- S'assurer que toute la tubulure, la tuyauterie de drainage et le fil de connexion sont en obliques vers le bas lorsqu'ils traversent le mur.

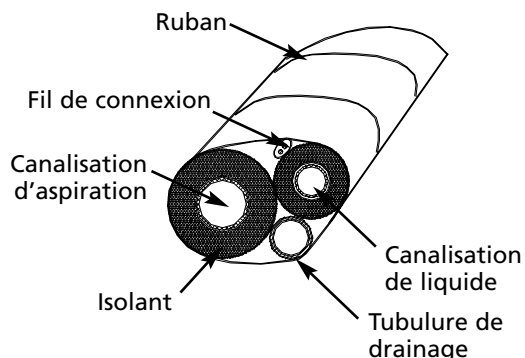
9

Diamètre du tube	Couple en lb-pi (N.m.)
1/4" (6,35 mm)	9,36 - 14,23 (12,7 - 19,3)
1/2" (12,70 mm)	36,06 - 45,00 (48,9 - 61,0)
3/8" (9,52 mm)	26,25 - 32,75 (35,6 - 44,4)

10



11



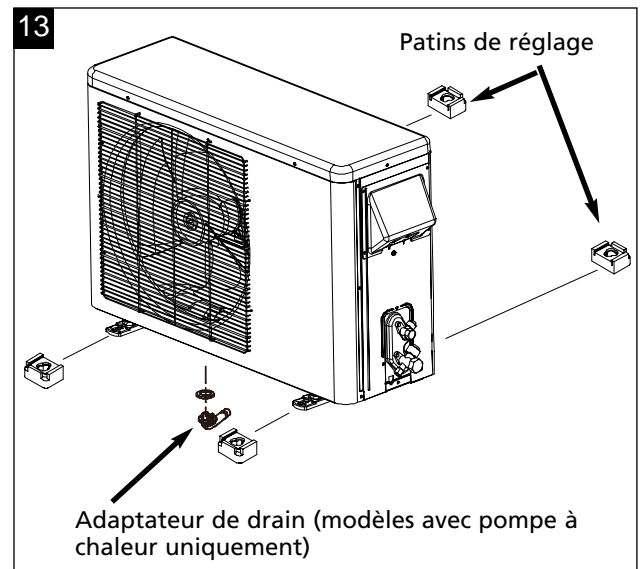
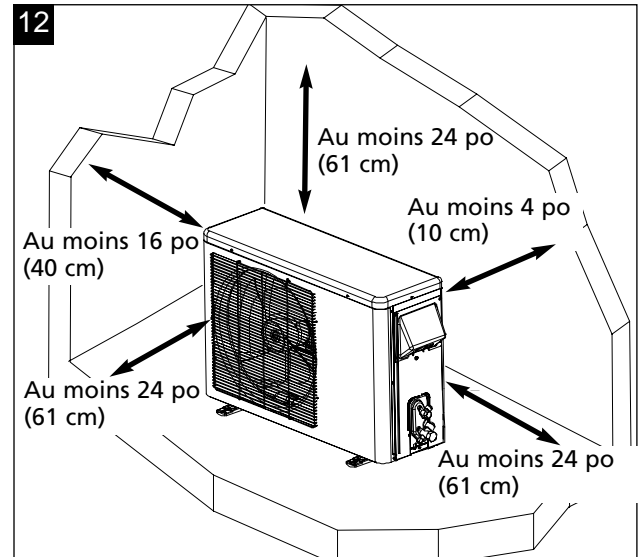
La canalisation de liquide et la canalisation d'aspiration doivent être isolées. La tubulure de drainage à l'extérieur de l'équipement doit également être isolé.

Emplacement de la section extérieure

- Placer la section extérieure dans un endroit où la circulation d'air environnant ne sera pas obstruée.
- S'assurer que la base est au niveau et ne dépasse pas l'inclinaison maximale de cinq degrés.
- Fixer l'équipement sur une base avec des boulons d'ancrage, afin de réduire les vibrations et le bruit.
- Prévoir un espace adéquat d'accès à l'équipement pour les opérations d'entretien.
- Laisser un espace libre minimal autour de l'équipement, conformément à la figure 12.
- Ne pas installer l'équipement à proximité d'une source de chaleur, de vapeur ou de gaz inflammable.
- Les équipements avec pompe à chaleur doivent être installés au-dessus de la hauteur maximale de la neige, si possible.

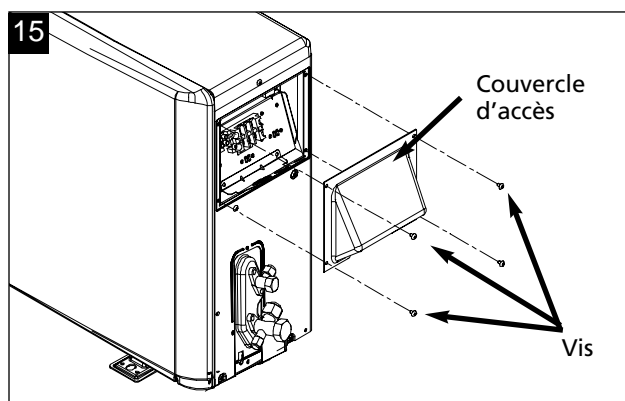
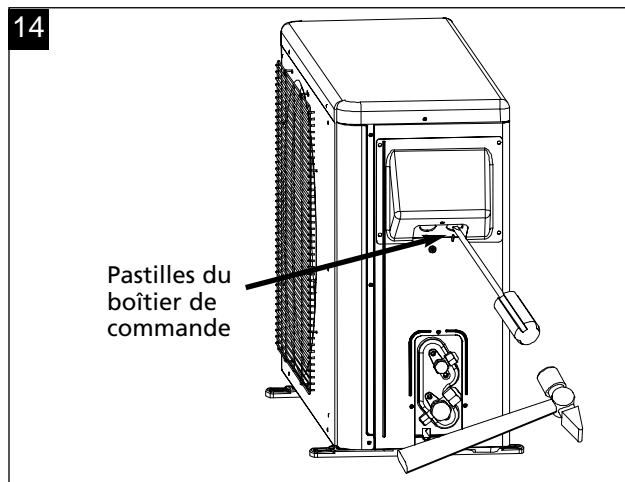
Installation de la section extérieure

- Fixer les patins de réglage en les faisant glisser sur la base de la section extérieure, conformément à la figure 13.
- Fixer le panier et l'adaptateur du drain sur le bac de base de l'équipement avant de fixer l'équipement (s'applique uniquement aux modèles avec pompe à chaleur), conformément à la figure 13.
- Fixer l'équipement sur la base.



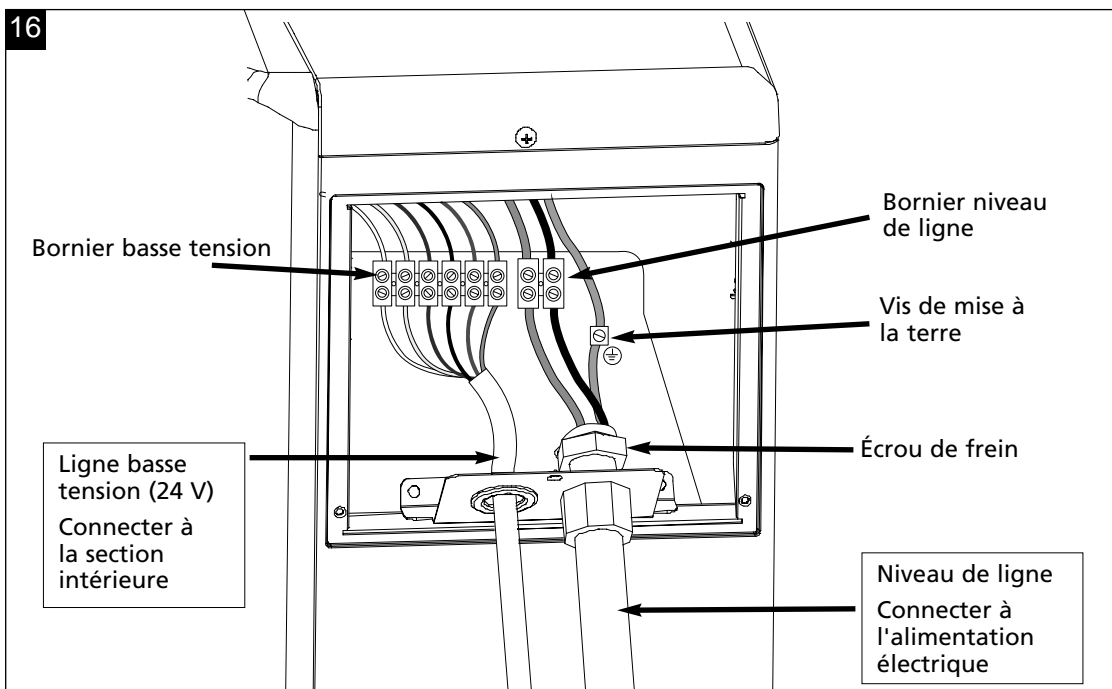
Connexion des fils électriques sur la section extérieure

- L'installateur doit s'assurer que l'alimentation électrique disponible correspond aux exigences de la plaque signalétique de l'équipement et que la tension est constante. Autrement, l'équipement risque de mal fonctionner. Pour toute question ou tout problème concernant l'alimentation électrique, contacter l'entreprise locale d'électricité.
- Installer un sectionneur d'alimentation secteur à la vue du condenseur. Le câblage d'alimentation électrique du condenseur doit comprendre un sectionneur à fusibles.
- Utiliser des fusibles et des fils électriques de capacité suffisante. Pour que la tension électrique adéquate soit disponible au niveau du condenseur, le câblage de l'alimentation électrique doit être de grosseur appropriée. Le calibre minimum des fils électriques et la capacité requise pour les fusibles sont indiqués sur la plaque signalétique de l'appareil.
- Deux trous sont prévus dans le boîtier de commande :
 - a. L'un pour la connexion du câble ou du conduit de tension d'alimentation. Le trou est adapté à un conduit de 3/4 po.
 - b. L'autre est pour le fil électrique de basse tension. Pour savoir comment établir les connexions, consulter le schéma de câblage sur le boîtier de commande.
- Ne pas oublier d'établir la mise à la terre du condenseur en fixant le fil de terre sur le tenon de terre dans le boîtier de commande.
- Ne pas oublier de respecter toutes les normes électriques nationales et locales.



⚠ MISE EN GARDE ⚠

Cet équipement électrique doit être installé par un électricien diplômé et qualifié. Toute erreur de connexion électrique peut endommager l'équipement, créer un danger de blessures graves, voire mortelles, ainsi qu'annuler la garantie.



⚠ MISE EN GARDE ⚠

La section intérieure est alimentée par une basse tension (24VDC) provenant de la section extérieure. NE PAS CONNECTER L'ALIMENTATION SECTEUR À LA SECTION INTÉRIEURE. VOIR LES SCHÉMAS DE CÂBLAGE EN PAGE 2.

Connexion de la tubulure de la section extérieure

- Aligner le centre de la tubulure et serrer suffisamment le raccord conique avec les doigts.
- Serrer le raccord conique avec une clé de serrage.

⚠ ATTENTION ⚠

Éviter tout serrage excessif du raccord conique. Une telle action risquerait d'endommager le filetage et de causer une fuite.

Recherche de fuite de réfrigérant

⚠ MISE EN GARDE ⚠

La loi exige que les opérations suivantes soient exécutées uniquement par un technicien qualifié en génie climatique.

- Connecter un manomètre de pression d'admission sur le port de la canalisation de gaz de la section extérieure.
- Pour vérifier la présence de fuites, utiliser de l'azote sec avec traces de réfrigérant.
- Ouvrir la vanne de pression basse du manomètre jusqu'à ce qu'il indique une mesure stable d'environ 150-200 psig (10,32-13,8 bars).
- Avec un détecteur de fuite de réfrigérant, vérifier la présence de fuites, particulièrement à proximité des connexions de tubulure.
- Si une fuite est découverte, resserrer le connecteur avec une clé dynamométrique et répéter le test.
- Lorsque le test de fuite est terminé, purger l'azote.

Évacuation de l'air dans la tubulure et la section intérieure

Connecter la pompe d'aspiration à l'équipement via les manomètres de pression d'admission. Il est nécessaire de retirer tout l'air du cycle de réfrigération car il contient de l'humidité et il pourrait causer une erreur de fonctionnement ou réduire l'efficacité du compresseur.

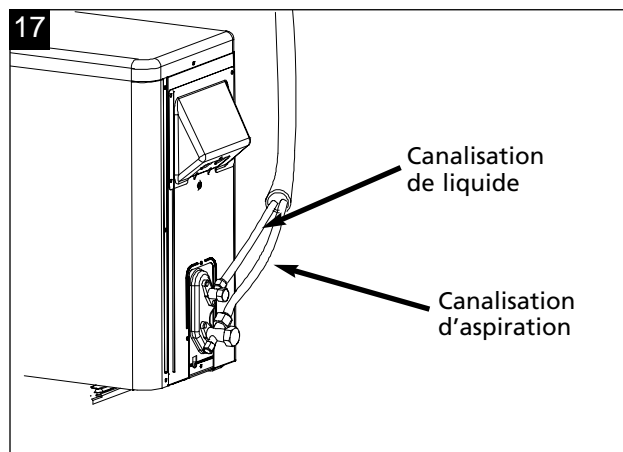
Ouverture des vannes de fonctionnement

- Dévisser les capuchons sur les valves à deux et trois voies.
- Lorsque toutes les canalisations ont été installées et que la recherche de fuites est terminée, ouvrir complètement la valve de liquide et la valve de gaz avec une clé Allen, avant la mise en service de l'équipement (voir la figure 18).
- Réinstaller le capuchon et serrer selon les spécifications ci-dessous.

Grosseur du raccord conique	Serrage (N.m.)
1/4"	12,7 - 19,3
3/8"	35,6 - 44,4
1/2"	48,9 - 61,0

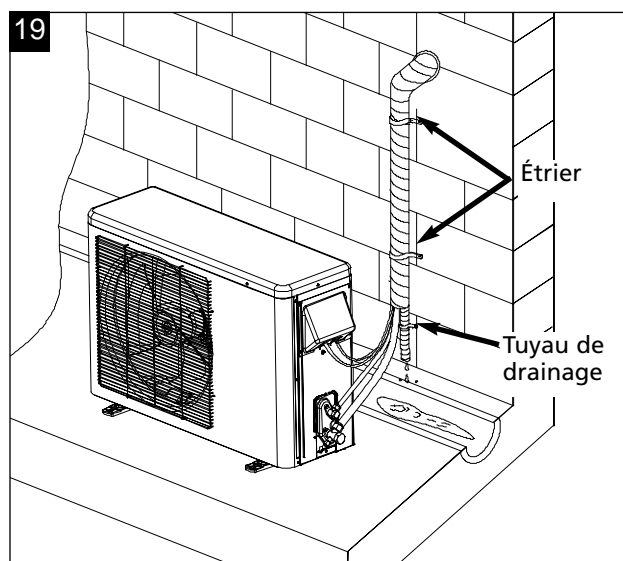
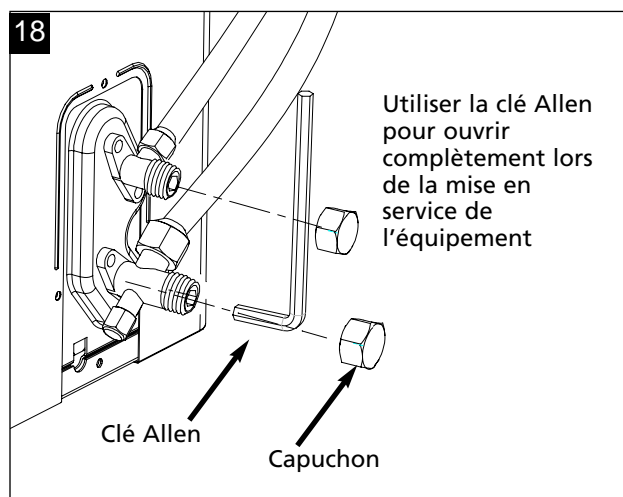
Fixation de la tubulure

- Enrober la connexion de tubulure sur l'équipement avec de l'isolant, puis couvrir hermétiquement avec du ruban adhésif.
- Il est permis de connecter un tuyau de drainage supplémentaire. L'extrémité de l'orifice de drainage ne doit pas toucher le sol.
- Enrober la tubulure de connexion, le tuyau de drainage et les fils électriques avec du ruban (de bas en haut), puis fixer ces éléments sur le mur conformément à la figure 19.



⚠ ATTENTION ⚠

Avant de mettre l'équipement sous tension, s'assurer que tous les tubes et tous les fils électriques sont solidement et correctement connectés.

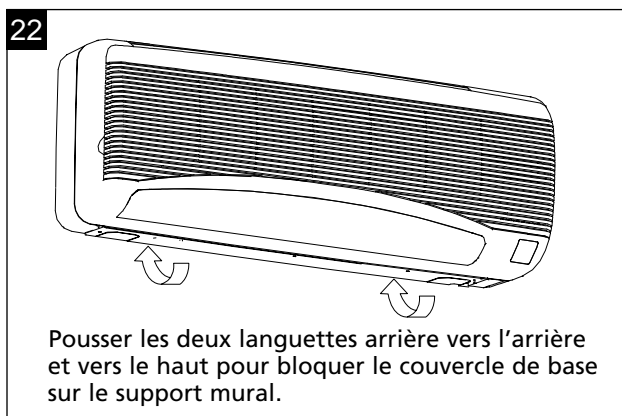
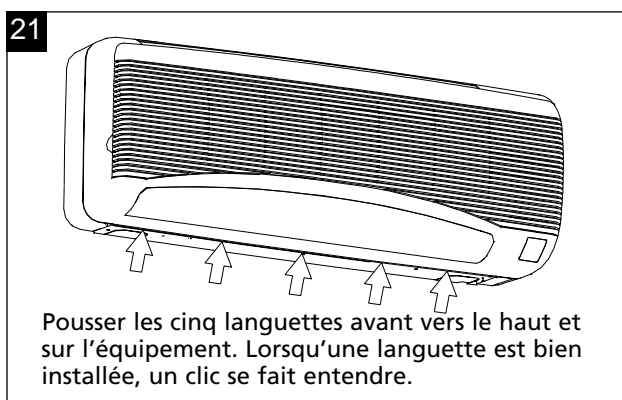
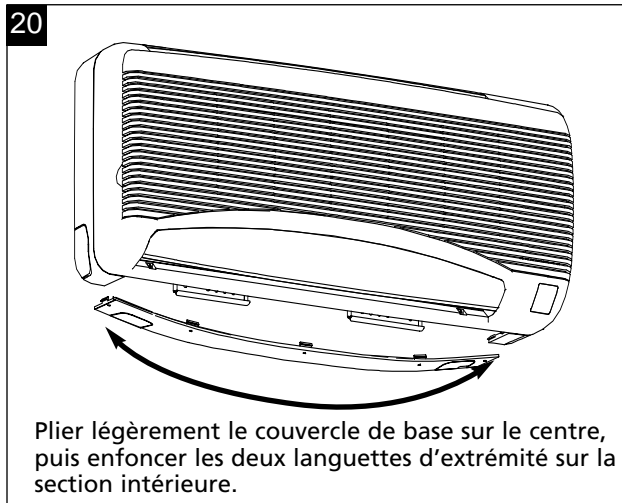


Réinstallation du couvercle de base

- Plier légèrement le couvercle de base sur le centre, puis enfoncer les deux languettes dans la section intérieure (voir la figure 20).
- Fermer par pression les trois autres languettes en appuyant sur l'équipement et vers le mur.
- L'emplacement des languettes est indiqué par des triangles en relief (voir la figure 21).
- Enfoncez les deux dernières languettes dans la section intérieure.
- Pousser les triangles vers le mur pour bloquer les languettes dans le support mural (voir la figure 22).
- Après l'installation, s'assurer qu'il n'y a pas de jeu au niveau du couvercle de base.

Mise sous tension de l'alimentation électrique

- Placer l'interrupteur principal de la section extérieure sur ON.
- Faire fonctionner la section intérieure en mode de refroidissement pendant au moins quinze minutes.



Consignes de sécurité

- Par mesure de sécurité, avant d'utiliser le climatiseur, lire attentivement et respecter toutes les instructions d'utilisation.

⚠ MISE EN GARDE ⚠

Ce symbole indique un risque de blessure grave, voire mortelle

⚠ ATTENTION ⚠

Ce symbole indique un risque de blessure ou de dommage matériel

⚠ MISE EN GARDE ⚠

- Il est recommandé de confier l'installation du climatiseur à un technicien qualifié, conformément à la notice d'installation.
- Conserver ce guide pour référence future car il contient des consignes importantes de sécurité et d'utilisation.
- Tous les fils électriques doivent être conformes aux normes électriques nationales et locales.
- Pour réduire les risques d'électrocution, le climatiseur doit être mis à la terre.
- Ce climatiseur nécessite une alimentation séparée sur un circuit distinct protégé par fusible.
- Si un fusible grille fréquemment ou si un disjoncteur saute souvent, appeler immédiatement un technicien.

⚠ MISE EN GARDE ⚠

Consignes de sécurité supplémentaires

- **Ne pas stocker ou utiliser de l'essence ou tout autre liquide inflammable ou dégageant des vapeurs inflammables à proximité de cet appareil ou de tout autre appareil.** Les émanations peuvent causer un incendie et une explosion.
- **Ne pas introduire des objets dans les orifices de sortie d'air.** Une telle action risquerait de causer des dommages permanents à l'appareil.
- **Ne pas utiliser sans filtre.**
- **Ne pas obstruer l'entrée d'air du climatiseur,** ce qui risquerait d'occasionner une surchauffe, laquelle déclencherait le commutateur de sécurité, provoquant ainsi l'arrêt du climatiseur.
- **Ne pas bloquer la circulation d'air à l'intérieur par des stores, des rideaux ou des meubles, ni à l'extérieur avec des arbres, un boîtier supplémentaire ou une construction quelconque.**
- **Ne pas faire fonctionner le climatiseur lorsqu'il est recouvert d'une housse protectrice.** Une telle action risquerait de causer un incendie et des dommages mécaniques dans le climatiseur.
- **Nettoyer le filtre à air du climatiseur toutes les deux semaines pour éviter les obstructions pouvant causer une surchauffe.**

Caractéristiques

Admission d'air

Entrée d'air ambiant dans l'équipement.

Évacuation d'air

Évacuation de l'air climatisé dans la pièce.

Évent réglable de sortie d'air

Bascule vers le haut ou vers le bas pour diriger le jet d'air dans la pièce.

Affichage de température et indicateur de mode intégrés

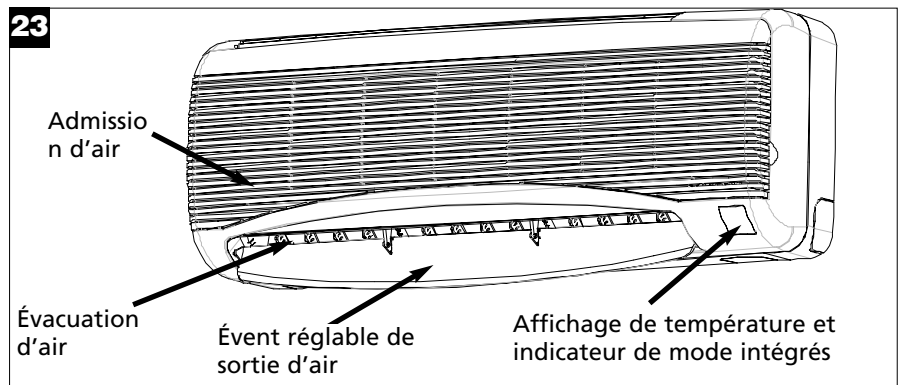
Affiche la température et le mode de fonctionnement sélectionnés.

Grille avant

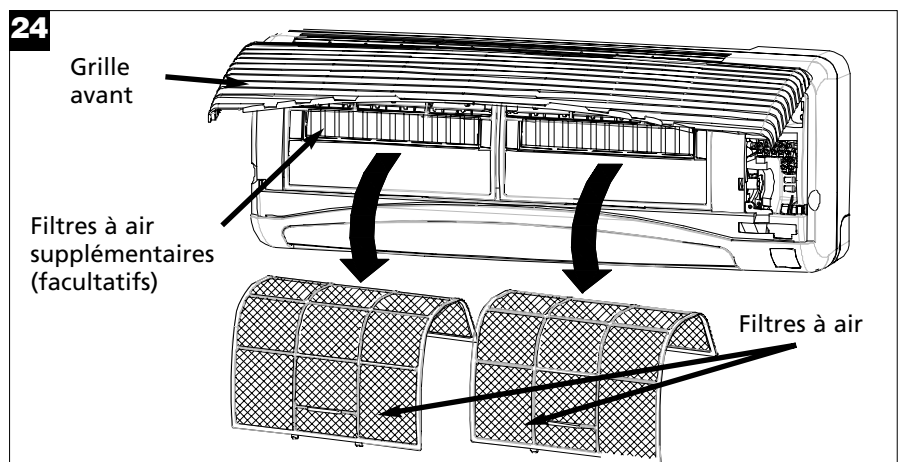
Couvre la zone d'admission et de filtrage de l'air.

Après avoir soulevé la grille avant, il est possible d'accéder aux filtres à air, aux filtres à air supplémentaires (facultatifs) et à l'interrupteur de commande automatique.

23



24



Télécommande

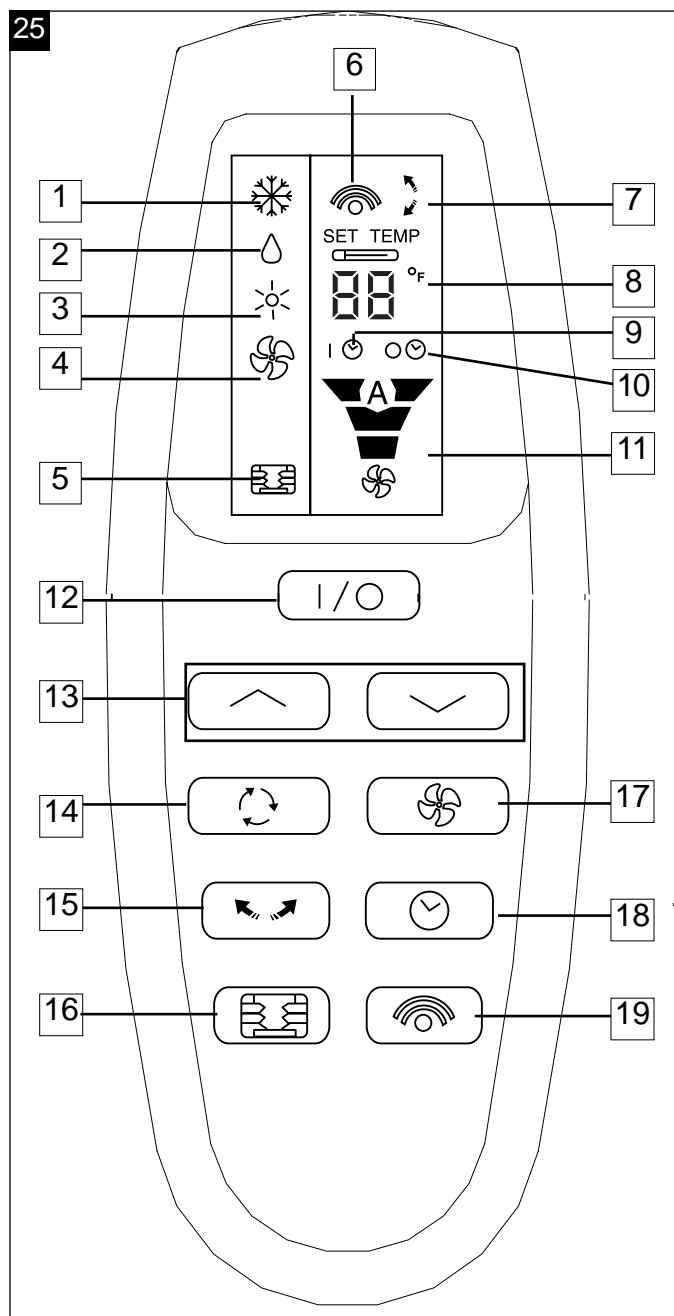
Plusieurs fonctions du climatiseur sont disponibles uniquement à partir de la télécommande.

Écran de la télécommande Clavier de télécommande

- | | |
|------------------------------|---|
| 1 Mode fraîcheur | 12 Marche/arrêt |
| 2 Mode déshumidification | 13 Température / Minuterie |
| 3 Mode chauffage | 14 Mode |
| 4 Mode ventilateur | 15 Basculer |
| 5 Climatisation intelligente | 16 Climatisation intelligente |
| 6 Transmettre | 17 Ventilateur |
| 7 Basculer | 18 Minuterie |
| 8 Température/Minuterie | 19 Retransmettre* |
| 9 Minuterie (marche) | |
| 10 Minuterie (arrêt) | * Le bouton de retransmission permet de réenvoyer le dernier ordre de la télécommande |
| 11 Vitesse du ventilateur | |

REMARQUE : Lorsque la télécommande est utilisée, elle doit être pointée directement vers le récepteur de la section intérieure. Le rayon d'action maximal de la télécommande est d'environ 27 pieds (8,23 m). Lorsque l'équipement reçoit un ordre de la télécommande, il émet un bref signal sonore de confirmation.

REMARQUE : Pour afficher la température en degrés Celsius, appuyez simultanément sur les deux boutons Température/Minuterie.



Interrupteur de commande automatique

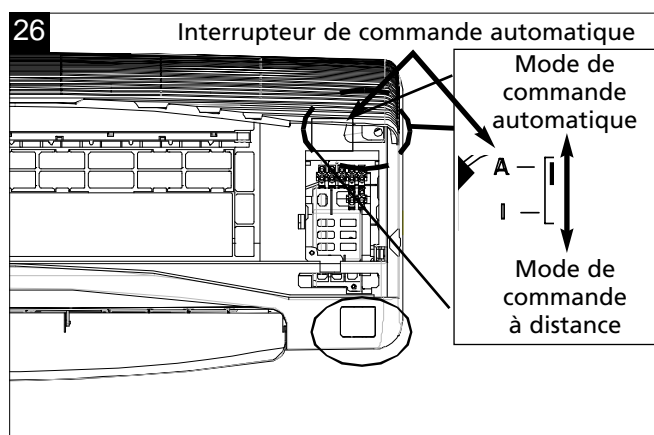
Si la télécommande cesse de fonctionner ou si elle est temporairement égarée, l'équipement peut être utilisé en mode automatique en plaçant l'interrupteur de commande automatique (Auto Control) sur la position « A » sous la grille avant.

Cette position fait fonctionner le climatiseur de la façon suivante :

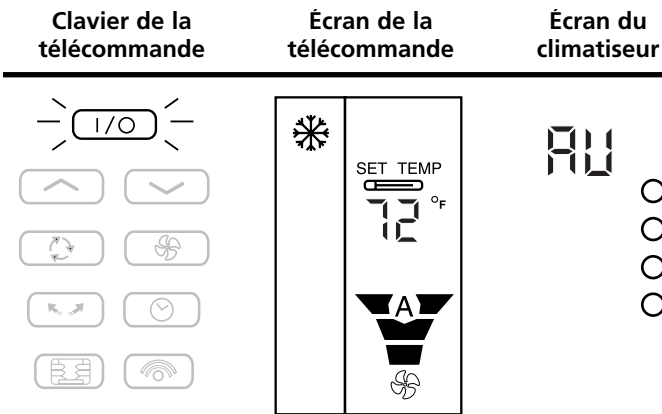
Si la température ambiante dépasse 75°F (24°C), l'équipement se place en mode de refroidissement.

Si la température ambiante se situe entre 68°F et 75°F (20°C - 24°C), l'équipement se place en mode sec (déshumidification).

Si la température ambiante descend sous 68°F (20°C), l'équipement se place en mode de chauffage (modèles avec pompe à chaleur uniquement).



Démarrage du climatiseur



- Appuyer sur le bouton marche/arrêt de la télécommande.
- La bouche de sortie d'air réglable commence à tourner.

Ensuite : Choisir le mode (page 16)

Ensuite : Sélection des paramètres de fonctionnement : Vitesse du ventilateur, position de la bouche d'air réglable (page 17)

Réglage de la minuterie

La minuterie permet d'allumer et éteindre le climatiseur à des heures préalablement programmées.

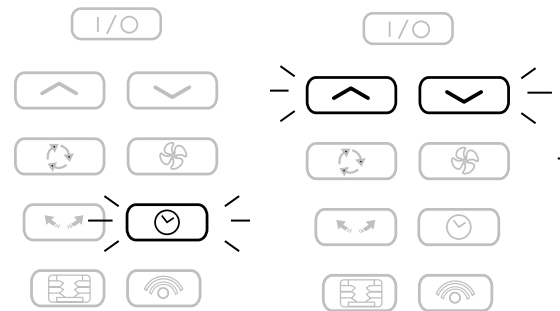
Réglage de la minuterie pour faire démarrer le climatiseur

Choisissez l'heure de démarrage du climatiseur. Le climatiseur demeure arrêté jusqu'à ce que la minuterie le fasse démarrer.

- Alors que le climatiseur est en marche, choisir le mode de fonctionnement et la température, puis arrêter le climatiseur.
- Appuyer sur le bouton Minuterie pour activer la minuterie.
- Appuyer sur le bouton de réglage horaire. Chaque fois que le bouton est enfoncé, le réglage de minuterie augmente ou diminue d'une heure.
- Lorsque la minuterie est réglée, le témoin jaune de la section intérieure s'allume.

Réglage de la minuterie pour arrêter le climatiseur

- Lorsque le climatiseur fonctionne avec le réglage approprié de mode et de température, appuyer sur le bouton Minuterie pour activer la minuterie.
- Le bouton de réglage horaire permet d'augmenter/diminuer le réglage de la minuterie d'une heure à la fois.
- Lorsque la minuterie est réglée, le témoin jaune de la section intérieure s'allume.



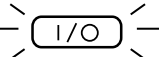


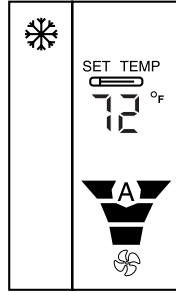
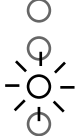
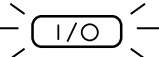

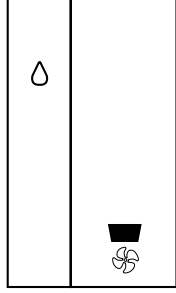
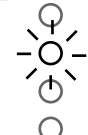
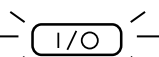


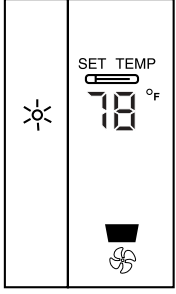
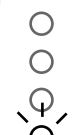
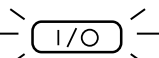

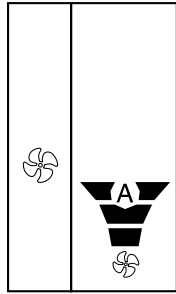
Bouton Minuterie

Régler la minuterie à l'aide de ces boutons

REMARQUE :

Pour annuler les réglages de la minuterie, il suffit d'appuyer de nouveau sur le bouton de minuterie de la télécommande. Le témoin jaune devrait s'éteindre pour confirmer l'annulation des réglages de minuterie.

Sélection du mode de fonctionnement

Mode	Clavier de la télécommande	Écran de la télécommande	Écran du climatiseur
<p>Mode fraîcheur</p> <ul style="list-style-type: none"> Allumer le climatiseur en appuyant sur le bouton marche/arrêt de la télécommande. Appuyer sur le bouton de mode jusqu'à ce que le mode fraîcheur apparaisse sur l'écran de la télécommande. Le témoin bleu de l'écran du climatiseur devrait s'allumer. Régler la température en appuyant sur les boutons d'augmentation/diminution de température. 	<p>1 </p> <p>2 </p> <p>3 </p>		<p>72</p>  <p>Lorsque le climatiseur est en mode fraîcheur, le témoin bleu s'allume.</p>
<p>Mode déshumidification</p> <ul style="list-style-type: none"> Allumer le climatiseur en appuyant sur le bouton marche/arrêt de la télécommande. Appuyer sur le bouton de mode jusqu'à ce que le mode déshumidification apparaisse sur l'écran de la télécommande. Le témoin vert de l'écran du climatiseur devrait s'allumer. <p>REMARQUE : En mode déshumidification, le ventilateur tourne toujours lentement.</p>	<p>1 </p> <p>2 </p>		<p>72</p>  <p>Lorsque le climatiseur est en mode déshumidification, le témoin vert s'allume.</p>
<p>Mode chauffage (modèles avec pompe à chaleur uniquement)</p> <ul style="list-style-type: none"> Allumer le climatiseur en appuyant sur le bouton marche/arrêt de la télécommande. Appuyer sur le bouton de choix de mode jusqu'à ce que le mode Chauffage apparaisse sur l'écran de la télécommande. Le témoin rouge de l'écran du climatiseur devrait s'allumer. Régler la température en appuyant sur les boutons d'augmentation/diminution de température. Mode dégivrage : Si de la glace se forme sur le serpentin extérieur, l'appareil se place automatiquement en mode Dégivrage. Lorsque l'appareil est en mode dégivrage, le témoin lumineux rouge clignote. Aucune chaleur n'est disponible jusqu'à la fin du cycle de dégivrage. 	<p>1 </p> <p>2 </p> <p>3 </p>		<p>78</p>  <p>Lorsque le climatiseur est en mode chauffage, le témoin rouge s'allume.</p> <p>Lorsque le climatiseur est en mode dégivrage, le témoin rouge clignote.</p>
<p>Mode ventilateur</p> <ul style="list-style-type: none"> Allumer le climatiseur en appuyant sur le bouton marche/arrêt de la télécommande. Appuyer sur le bouton Mode jusqu'à ce que le mode Ventilateur apparaisse sur l'écran de la télécommande. 	<p>1 </p> <p>2 </p>		<p>F — Ventilateur lent</p> <p>F = Ventilateur moyen</p> <p>F ≡ Ventilateur rapide</p>

Sélection des paramètres de fonctionnement

Ce climatiseur possède trois paramètres réglables :

Vitesse du ventilateur, basculement (orientation du jet d'air) et climatisation intelligente (mémoire)

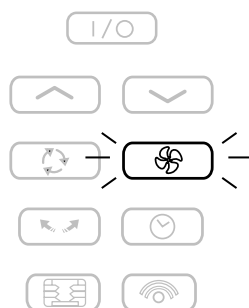
Réglage de vitesse du ventilateur

Lorsque le climatiseur fonctionne, appuyer sur le bouton de vitesse du ventilateur pour régler la vitesse à lente, moyenne, rapide ou automatique.

Lorsque le réglage automatique est choisi alors que le climatiseur est en mode fraîcheur, la vitesse du ventilateur varie automatiquement avec la température ambiante.

REMARQUE : Le réglage du ventilateur ne s'applique pas en mode déshumidification.

Clavier de la télécommande



Le tableau ci-dessous indique les vitesses du ventilateur selon les affichages sur l'écran du climatiseur et de la télécommande.

Vitesse du ventilateur	Ventilateur lent	Ventilateur moyen	Ventilateur rapide	Ventilateur automatique
Écran de la télécommande				
Écran du climatiseur	F _	F =	F ≡	F A

Réglage de basculement (orientation du jet d'air)

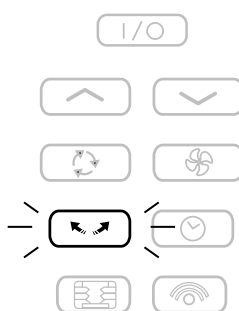
Le bouton de basculement permet d'orienter le jet d'air du climatiseur dans la pièce. Le jet d'air peut continuellement basculer de haut en bas.

Bouton de basculement

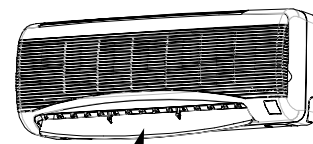
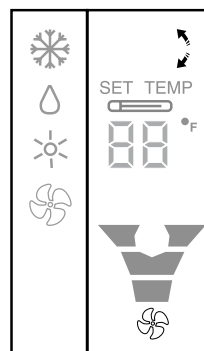
- Allumer le climatiseur en appuyant sur le bouton marche/arrêt de la télécommande.
- Appuyer sur le bouton de basculement pour déplacer l'évent réglable à l'horizontale ou à la verticale.

REMARQUE : Le réglage par défaut en mode fraîcheur et en mode déshumidification est l'horizontale, alors qu'en mode chauffage, le réglage par défaut est la verticale.

Clavier de la télécommande



Écran de la télécommande



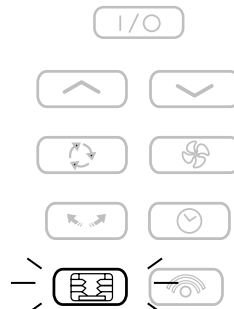
Évent réglable de sortie d'air

Réglage Climatisation intelligente (mémoire)

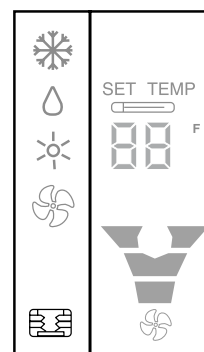
Permet d'enregistrer les paramètres préférés et de les réactiver avec un seul bouton.

- Mettre le climatiseur en marche en appuyant sur le bouton marche/arrêt.
- Appuyer sur le bouton Mode, puis sélectionner un mode de fonctionnement, une température et une position de sortie d'air.
- Appuyer deux fois sur le bouton Climatisation intelligente pour enregistrer les paramètres. L'écran devrait afficher « IF ».
- Pour rappeler les paramètres enregistrés, appuyer une fois sur le bouton Climatisation intelligente. Il faut un délai de cinq secondes avant l'activation des paramètres enregistrés.

Clavier de la télécommande



Écran de la télécommande



Écran du climatiseur



Nettoyage des filtres à air

Les filtres à air encrassés réduisent le débit d'air, ce qui peut causer une surcharge du climatiseur, ainsi qu'une réduction de la puissance de refroidissement/chauffage, accompagnée d'une augmentation de la consommation énergétique.

Les filtres à air doivent être nettoyés toutes les deux semaines.

- Arrêter le climatiseur.
- Pour enlever les filtres à air, soulever la grille avant et sortir les filtres du climatiseur.
- Laver les filtres dans une eau chaude et savonneuse, puis rincer et sécher en secouant.
- Remettre les filtres en place avec leur partie avant face à l'utilisateur.

REMARQUE : Pour sécher complètement les filtres, faire fonctionner le climatiseur pendant quelques minutes. Ne pas oublier que des filtres propres sont essentiels pour obtenir une efficacité maximale à toutes les positions de réglage.

REMARQUE : Si les filtres à air ne sont pas tenus propres, le débit d'air sera insuffisant.

REMARQUE : Un climatiseur est correctement utilisé et entretenu dure toujours plus longtemps.

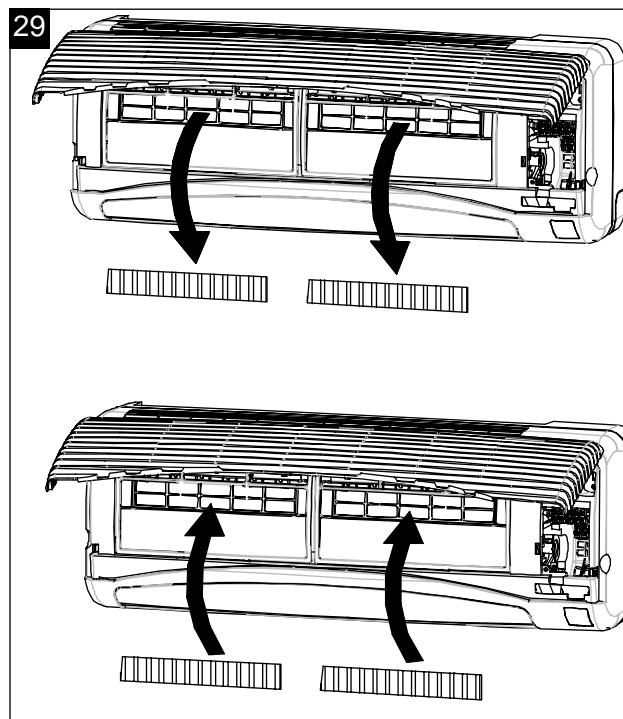
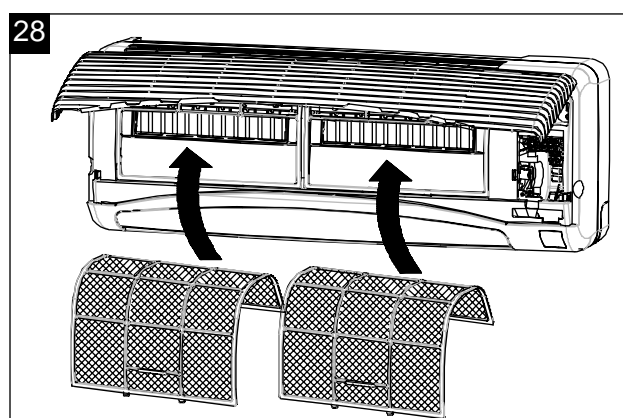
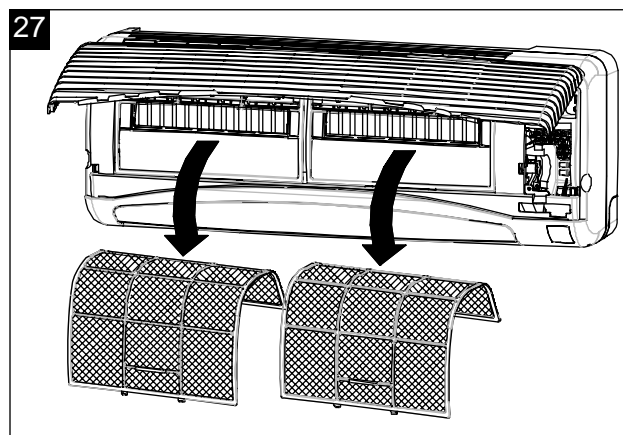
Il est recommandé de demander à un technicien qualifié d'inspecter le climatiseur une fois l'an et de nettoyer les passages d'eau condensée avec de l'air comprimé. Un tuyau de drainage obstrué peut laisser couler de l'eau condensée et causer des dommages matériels. Les frais associés à l'inspection annuelle sont à la charge du client.

ATTENTION : NE PAS utiliser le climatiseur sans filtre.
Le climatiseur risquerait alors de ne pas fonctionner.

Filtres à air complémentaires (sur certains modèles uniquement)

Il est recommandé de remplacer les filtres à air complémentaires tous les 3 mois ou dès qu'ils sont encrassés.

- Enlever les filtres à air, puis enlever les filtres à air complémentaires du climatiseur tous les 3 mois ou dès qu'ils sont encrassés ou usés.
- Réinstaller de nouveaux filtres à air complémentaires.

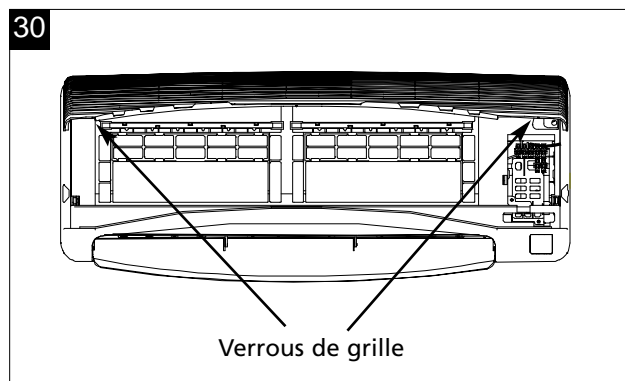


Nettoyage du boîtier

- Nettoyer le boîtier du climatiseur avec un tissu humide puis essuyer.
- Ne pas utiliser des produits nettoyants ou des solvants puissants.
- Ne pas nettoyer avec de l'eau dont la température est supérieure à 40°C car elle risquerait de causer une décoloration et des déformations.
- Ne pas arroser ou vaporiser de l'eau sur le climatiseur, au risque de causer un court-circuit.

Enlèvement de la grille

- Ouvrir la grille et enlever les deux verrous de grille à côté des charnières des grilles.
- Retirer la grille du climatiseur.



Remplacement des piles de la télécommande

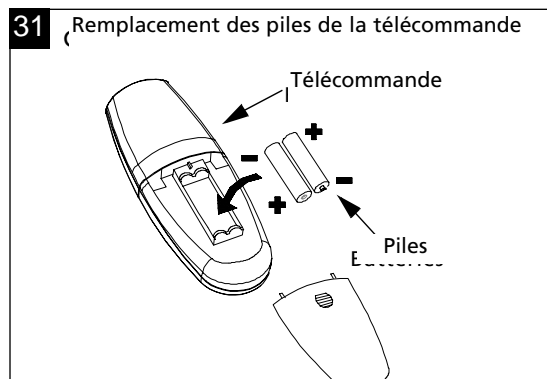
- Alors que l'arrière de la télécommande est face à l'utilisateur, faire glisser et sortir le couvercle du compartiment à piles.
- Insérer deux piles « AAA » dans le compartiment à piles.
- Remettre le couvercle du compartiment à pile à sa place.



MISE EN GARDE



- Utiliser uniquement des piles AAA ou IEC R03 sous 1,5V.
- Si la télécommande ne sera pas utilisée pendant un mois ou plus, retirer les piles de la télécommande.
- Ne pas tenter de recharger les piles fournies avec la télécommande.
- Les deux piles doivent être remplacées simultanément.
- Ne pas jeter les piles usées dans un feu car elles risqueraient d'exploser.
- Ne pas mélanger des piles usées avec des piles neuves.
- Ne pas mélanger des piles alcalines, standard (carbone - zinc) ou rechargeables (nickel-cadmium).
- Ne pas installer des piles avec les polarités (+/-) inversées.
- Garder les piles et les petits objets pouvant être avalés hors de la portée des jeunes enfants. Si un objet est avalé, consulter immédiatement un médecin.



Dépannage

Observation	Cause possible	Solution
Le climatiseur refuse de fonctionner.	Fusible grillé ou disjoncteur déclenché. Les piles de la télécommande sont à plat. Mauvais fonctionnement du circuit de commande.	Réarmer le disjoncteur. Remplacer les piles. Demander l'aide de l'installateur.
De l'eau s'écoule à l'intérieur	Mauvaise installation ou tubulure de drainage obstruée.	Demander l'aide de l'installateur.
De l'eau s'écoule à l'extérieur.	Le climatiseur retire l'humidité dans l'air ambiant humide.	Ceci est normal lorsque le temps est humide.
Le climatiseur est bruyant en mode fraîcheur.	Le jet d'air produit un bruit. Vibrations — Mauvaise qualité de l'installation.	Il est normal que le jet d'air produise un certain bruit. Si le climatiseur est trop bruyant, faire tourner le ventilateur plus lentement. Demander l'aide de l'installateur.
Rafraîchissement peu efficace.	Filtres à air encrassés.	Nettoyer les filtres.
Le compresseur du climatiseur demeure arrêté pendant trois minutes après un redémarrage.	Le circuit de protection du compresseur empêche ce dernier de fonctionner pendant trois minutes après un redémarrage.	Ceci est normal. Attendre trois minutes avant de redémarrer.
En mode fraîcheur, le ventilateur s'accélère lorsque le système de refroidissement s'active.	Dégivrage du serpentin intérieur.	Ceci est normal lorsque le temps est humide.
La section extérieure arrête de fonctionner pendant environ 15 minutes (modèles avec pompe à chaleur).	Le climatiseur fait fondre de la glace qui s'est formée sur le serpentin extérieur.	Ceci est normal.

Comment obtenir des pièces ou une réparation sous garantie

Remarque : Avant de demander l'aide d'un technicien, lire attentivement ce guide d'installation et d'utilisation.

Modèles installés en Amérique du Nord :

Commencer par effectuer les vérifications indiquées dans le guide de dépannage. Ensuite, si une assistance est toujours nécessaire :

1. Contacter l'installateur et demander une réparation sous garantie.
2. Si l'installateur n'est pas en mesure d'offrir le service nécessaire ou si une assistance supplémentaire est requise, demander à CareCo le nom et les coordonnées d'un réparateur agréé.

La société CareCo peut être contactée par courriel :

customerservice@fedders.com

en appelant sans frais le numéro suivant :

1-800-661-0131

ou encore en écrivant à l'adresse suivante :

CareCo, Service Department

415 W. Wabash Ave., P.O. Box 200

Effingham, IL 62401

Modèles installés hors de l'Amérique du Nord :

Les climatiseurs achetés hors de l'Amérique du Nord ne sont couverts par aucune garantie expresse ou implicite du fabricant. Consulter le marchand pour connaître les conditions de la garantie offerte par l'importateur.

Preuve de la date d'achat

Le consommateur est responsable de prouver la date d'achat original du produit pour obtenir une réparation sous garantie. Il est recommandé de conserver à cette fin la facture dûment payée, le chèque encaissé ou un autre document approprié. Si la date d'achat ne peut être confirmée, il sera considéré que la produit a été acheté six (6) mois après sa date de fabrication.

Garantie du climatiseur bi-bloc sans conduit

(valable dans les 48 États contigus des États-Unis, dans l'État d'Hawaï, dans le District de Columbia, à Puerto Rico et au Canada)

Garantie complète (d'une année), pièces et main-d'oeuvre

Durant la première année après la date d'achat original du produit, la société Fedders garantit à l'acheteur et aux propriétaires subséquents qu'elle assurera sans frais, par l'intermédiaire de ses réparateurs agréés, la réparation ou le remplacement des pièces présentant un défaut de matériau ou de fabrication dans des conditions d'utilisation normales. Le propriétaire du climatiseur doit alors procurer un accès facile au climatiseur pour y effectuer les réparations.

Garantie limitée de cinq ans sur les systèmes sous boîtier hermétique et de deux ans sur les pièces du moteur de ventilateur

Outre la garantie complète d'une année sur les pièces et la main-d'oeuvre décrite ci-dessus, la société Fedders procédera, par l'intermédiaire de ses réparateurs et distributeurs de pièces agréés, à l'échange des composants hermétiques (compresseur, évaporateur, condenseur et tubulure de raccordement) de la deuxième à la cinquième année, ou à l'échange du moteur du ventilateur durant la deuxième année (dans les deux cas à compter de la date d'achat original), dans la mesure où ces composants présentent un défaut de matériau ou de fabrication. Les frais de transport, de manutention et de main-d'oeuvre pour diagnostiquer, réparer ou remplacer les composants défectueux ne sont pas couverts par cette garantie et relèvent de la responsabilité du propriétaire du climatiseur.

Remarque : Si des pièces doivent être remplacées durant la période de garantie, des pièces de rechange Fedders doivent alors être utilisées, lesquelles seront garanties pendant la durée restante de la garantie originale.

Exceptions

La garantie ci-dessus ne couvre pas les défauts de fonctionnement causés par des dommages infligés au climatiseur après son achat (autres que les dommages causés par un défaut de fabrication ou une erreur de fonctionnement), de même que les défauts causés par une erreur d'installation ou par une mauvaise utilisation du climatiseur, ce qui comprend notamment la non-exécution de l'entretien raisonnable et nécessaire, la non-installation de la grille arrière, ainsi que le non-respect des instructions d'installation et d'utilisation. Si le climatiseur est utilisé dans un cadre commercial, de location d'équipement ou à toutes autres fins que pour l'utilisation personnelle de l'acheteur, il ne bénéficie d'aucune garantie expresse ou implicite, ce qui comprend notamment toute garantie implicite de commercialisation ou de convenance à un usage quelconque.

LES RECOURS PRÉVUS DANS LA GARANTIE EXPRESSE CI-DESSUS SONT EXCLUSIFS ET AUCUNE AUTRE GARANTIE EXPRESSE N'EST DONC OFFERTE. TOUTE GARANTIE IMPLICITE, CE QUI COMPREND NOTAMMENT TOUTE GARANTIE IMPLICITE DE COMMERCIALISATION OU DE CONVENANCE À UN USAGE QUELCONQUE, NE PEUT ÊTRE VALABLE PLUS D'UNE ANNÉE APRÈS LA DATE D'ACHAT ORIGINAL. LA SOCIÉTÉ FEDDERS NE PEUT SOUS AUCUNE CIRCONSTANCE ÊTRE TENUE RESPONSABLE DE QUELQUE DOMMAGE INDIRECT, FORTUIT OU CONSÉCUTIF, MÊME S'IL EST ÉTABLI QU'ELLE AVAIT ÉTÉ PRÉALABLEMENT AVISÉE DU RISQUE DE TELS DOMMAGES. AUCUNE GARANTIE EXPRESSE OU IMPLICITE N'EST OFFERTE APRÈS LA REVENTE DE L'ÉQUIPEMENT.

Puisque certaines juridictions interdisent les restrictions concernant la durée d'une garantie implicite ou interdisent l'exclusion ou la limitation des dommages indirects ou consécutifs, il est possible que les restrictions ci-dessus ne s'appliquent pas à vous. Cette garantie vous accorde des droits juridiques précis, mais il est possible que vous ayez également d'autres droits selon votre lieu de résidence.

Aucune garantie n'est offerte avec les équipements vendus hors des territoires énumérés ci-dessus. Le distributeur local et le marchand peuvent offrir une garantie s'appliquant aux équipements vendus hors de ces territoires.

Features and specifications subject to change without notice.

Las características y especificaciones están sujetas a cambio sin previo aviso.

Les caractéristiques et spécifications sont sujettes à modifications sans préavis.