

This Owner's Manual is provided and hosted by [Appliance Factory Parts](#).



APRILAIRE 700A Owner's Manual

[Shop genuine replacement parts for APRILAIRE 700A](#)



[Find Your APRILAIRE Humidifier Parts - Select From 52 Models](#)

----- Manual continues below -----

READ COMPLETE SAFETY INSTRUCTIONS AND INST

ATTENTION INSTA

This product must be installed by a qualified heating and air conditioning contractor. F

This product must be installed in compliance with a

Aprilaire[®] AUTOMATIC HUM

⚠ WARNING

1. ELECTRICAL SHOCK HAZARD.

Disconnect electrical power to the furnace before starting installation. Failure to do so could result in serious injury from electrical shock.

2. **SHARP EDGES HAZARD.** Sharp edges may cause serious injury from cuts. Use care when making plenum openings and handling ductwork.

3. **RISK OF SCALDING.** Water temperature over 125°F can cause severe burns and scald instantly. Shut off the hot water supply before disconnecting or tapping into any hot water supply line.

⚠ CAUTION

RISK OF PROPERTY AND EQUIP

1. Do not install humidifier where freezing temperatures could occur. The water line could freeze and crack causing water damage to the home.

2. Do not install humidifier on the furnace jacket.

3. Do not install humidifier on a plenum face where the blanked off ends of the cooling coil will restrict air movement through the humidifier.

4. Do not set humidity level above recommended or to recommended level if condensation exists on inside windows of any unheated space, as condensation damage may result. Excess humidity can cause moisture accumulation which can allow the possibility for mold growth in the home.

5. Do not
furnace
Premat
Produc

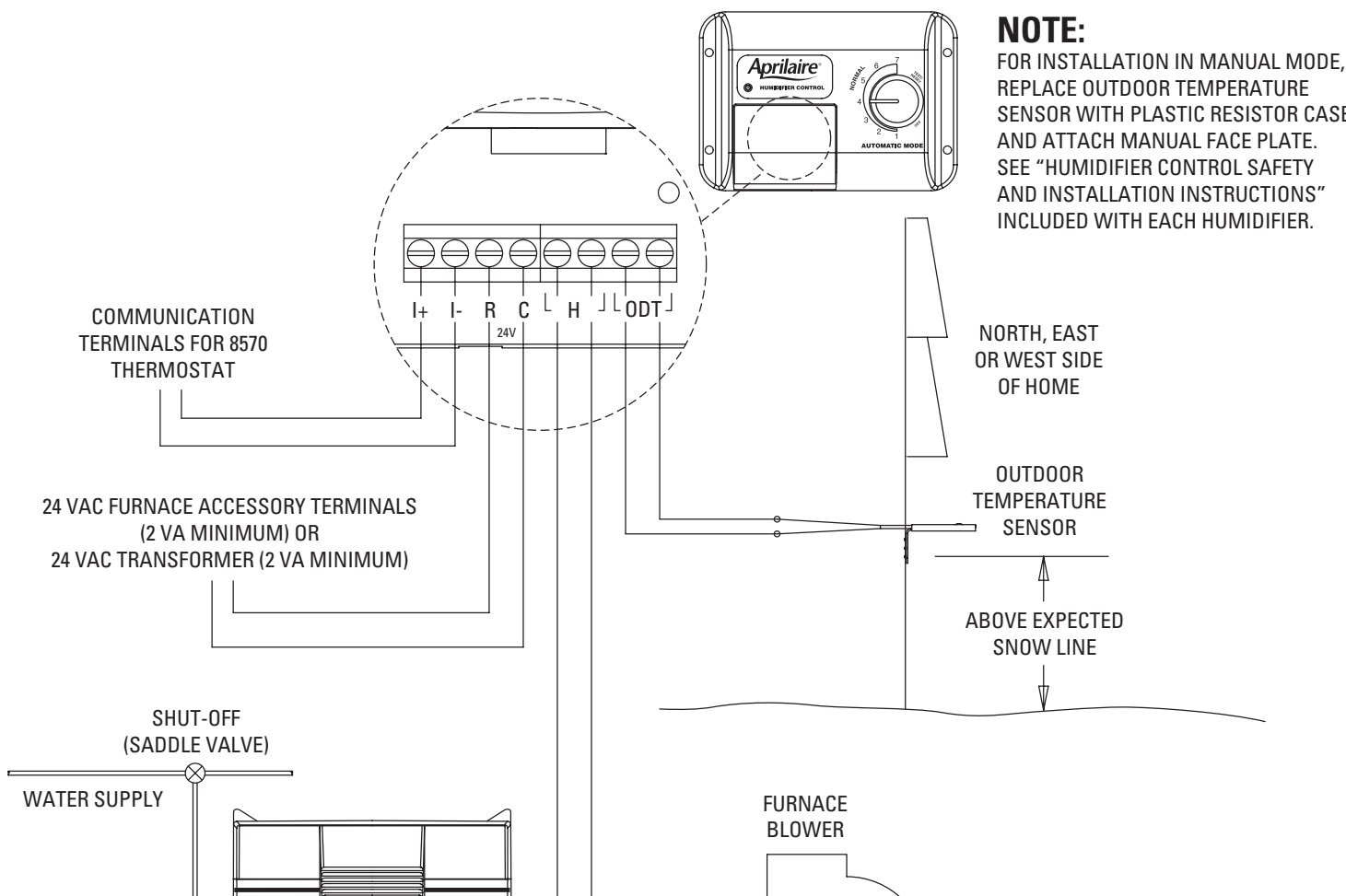
6. When i
furnace
satisfie
Control

7. Do not
125 psi,
codes i

8. Do not
pressur

WIRING DIAGRAM

(SEE STEP 7 ON BACK AND "HUMIDIFIER CONTROL SAFETY AND INSTALLATION INSTRUCTIONS" FOR DETAILED WIRING INSTRUCTIONS)



READ REVERSE SIDE FIRST!

- TOP -

READ COMPLETE SAFETY INSTRUCTIONS AND INSTALLATION INSTRUCTIONS

FURNISHED ITEMS

- Automatic Humidifier Control
- Automatic Humidifier Control Installation Sheet
- Saddle Valve
- Humidifier Installation Template

ITEMS NOT FURNISHED

- Mounting screws (sheet metal screws)
- Water supply line (1/4" copper)
- Drain line (1/2" I.D. hose)
- Low voltage wire
- Model 50 Current Sensing Relay (if required)

Figure 1

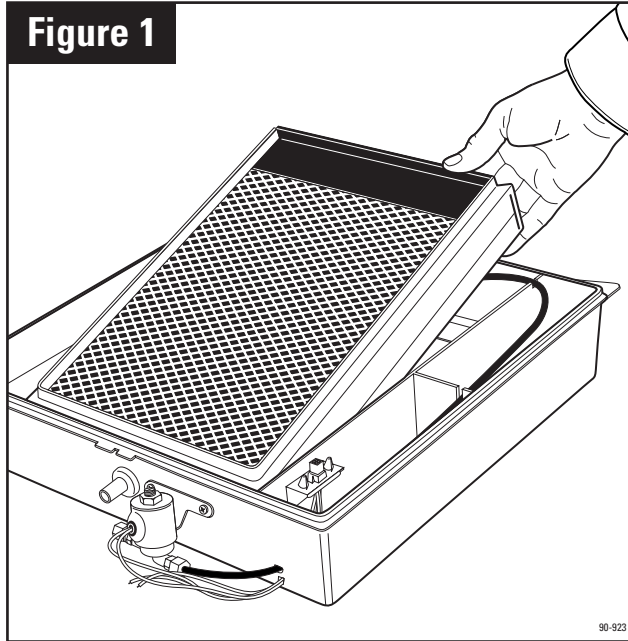
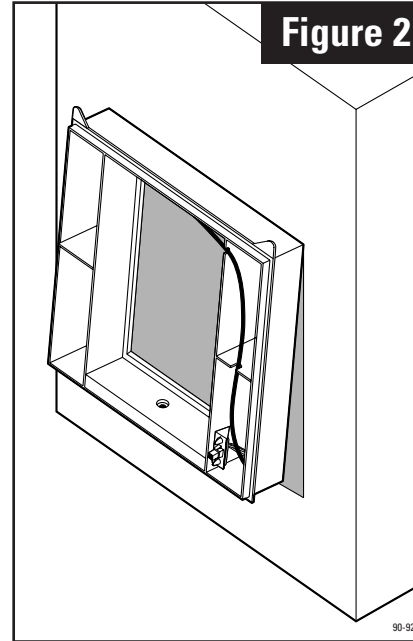


Figure 2



1. Place the humidifier on a flat surface. Unlatch humidifier cover assembly from base assembly at the bottom of the cover, lift and set aside. Pull out the Water Panel® evaporator assembly by grasping at the top and tipping out. (See Figure 1)

2. Using a level, position this template at least 1 1/2 inches above the furnace housing or cooling coil if applicable, for clearance of the drain line. Trace around template edges. When there is insufficient space on the supply plenum, the humidifier can be installed on the return duct provided the humidifier is supplied with hot water. Remove the template and accurately cut the plenum opening 14 3/4" W x 14 5/16" H, being careful to avoid injury from sharp edges.

3. Position the two plastic hooks on the top of base along the top edge of the plenum opening. Push base up to engage the two hooks and sheet metal along the top edge opening. Push base in and slide down so that the bottom four hooks engage the sheet metal at the bottom edge of the opening. Secure base to opening using top three screw holes in housing. An additional hole is provided at the bottom for securing the base to the plenum. (See Figure 2)

4. While pressing the base against the plenum, reach through the center opening and turn left and right swing latches down to secure the base onto the plenum. (See Figure 3)

5. Reinstall the Water Panel® evaporator assembly into the base, with the bottom of the scale control insert (5) sitting firmly inside of the drain spud attached to the base. Push the Water Panel® evaporator assembly in at the top between the retaining ribs. Hold the assembly in place in a vertical position. Reinstall cover assembly by hand at the top of base assembly and latching the bottom.

6. Install the Aprilaire Humidifier Control on the return duct using the installation instructions enclosed (see Wiring Diagram opposite side). For detailed installation wiring instructions, see "Humidifier Control Safety and Installation Instructions" included with the humidifier.

PARTS LIST

- | | |
|----------------------------|---------------------------|
| 1. Front Cover | 10. Motor Mount Gasket |
| 2. Base | 11. Circuit Board |
| 3. Orifice Plate | 12. Power Cord |
| 4. Motor Mount Bridge | 13. Strain Relief Bushing |
| 5. Scale Control Insert | 14. Solenoid Valve |
| 6. Water Panel Evaporator | 15. Connector Plug |
| 7. Water Distribution Tray | 16. Feed Tube |
| 8. Fan Blade | 17. Nozzle |
| 9. Motor | |

