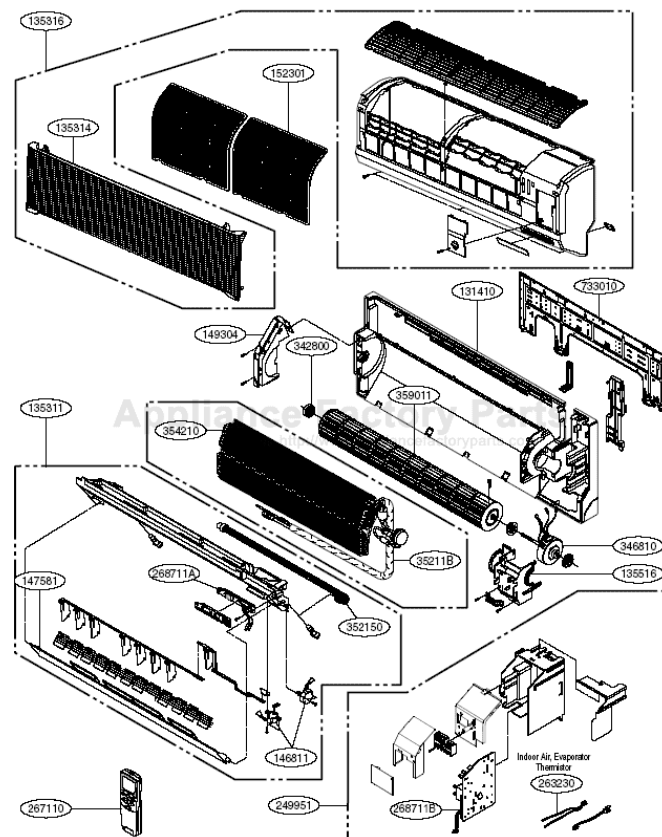


This Owner's Manual is provided and hosted by [Appliance Factory Parts](#).



# HEAT CONTROLLER VMC24SB-1 Owner's Manual

[Shop genuine replacement parts for HEAT CONTROLLER VMC24SB-1](#)



[Find Your HEAT CONTROLLER Air Conditioner Parts - Select From 32 Models](#)

----- Manual continues below -----

HEAT CONTROLLER, INC.

**Wall Mounted  
Mini-Split System  
Inverter Single-Zone  
Air Conditioning**

*Service Manual*

**Model: AS-Q1835JZ0 [VMC18SB-1]  
AS-Q2435JZ0 [VMC24SB-1]**

**CAUTION**

Before servicing the unit, read the  
“safety precautions” in this manual.

Only for authorized service personnel.

# 1. Specification

Models		AS-Q1835JZ0 [VMC18SB-1]	AS-Q2435JZ0 [VMC24SB-1]
Cooling Capacity (Min~Rating~Max)	kW	1.76~5.28~5.80	3.87~7.03~7.74
Heating Capacity (Min~Rating~Max)	Btu/h	6,005~18,000~19,790	13,200~24,000~26,400
Power Input	kW	-	-
Running Current	Btu/h	-	-
Starting Current	W	1640/-	2450/-
EER	A	7.3/-	11.0/-
COP	A	7.3/-	11.0/-
Power Supply	W/W	3.22	2.87
Power Factor	Btu/h.W	11.0	9.8
Air Flow Rate	W/W	-	-
Moisture Removal	W/W	-	-
Sound Level	Ø / V / Hz	1/208-230/60	1/208-230/60
Refrigerant & Charge(at 7.5m)	%	98	97
Additional Refrigerant Charge	%	98	97
Compressor	mm³/min(cfm)	18.5(650)	20.3(717)
Fan(Indoor)	mm³/min(cfm)	42(1,483)	58(2,048)
Fan(outdoor)	l/h	2.1	2.7
Circuit Breaker*	Indoor,H/M/L	dB(A)+3	45/40/37
Power Supply Cable	Outdoor,Max	dB(A)+3	54
Power and Transmission Cable	g(oz)	R410A, 1,200(42)	R410A, 1,800(63)
Piping Connections	g/m(oz/ft)	20(0.22)	30(0.32)
Drain Hose	Type	Rotary	Rotary
Dimension	Model	5CS130XCA03	5KD240XCA21
Net Weight	Motor Type	BLDC	BLDC
Operation Range	Oil Type	RB68A	FV50S
Max. Piping Length	Oil Charge	cc	900
Max. Elevation Difference	O.L.P Name	-	-
Tool Code(Chassis)	Type	Cross Flow Fan	Cross Flow Fan
Functions	Motor Output	W	20
Temperature Control	Type	Propeller	Propeller
Plasma Filter	Motor Type	BLDC	AC Induction
Prefilter(washable/anti-fungus)	Motor Output	W	85.3
Auto Clean	A	20	25
CHAOS Wind(Auto Wind)	NEC	14	12
Steps, Fan/Cool/Heat	NEC	18	18
Airflow Direction Control(up&down)	mm(in)	6.35(1/4)	9.52(3/8)
Airflow Direction Control(left&right)	mm(in)	12.7(1/2)	15.88(5/8)
Remocon Type	O.D. / I.D	mm(in)	21.5,16(0.85,0.63)
Setting Temperature	Indoor(W*H*D)	mm	1,090*300*178
Range	inch	inch	42.9*11.8*7.0
Auto Operation (Micom Control)	Outdoor(W*H*D)	mm	870*655*320
Auto Changeover (Micom Control)	mm	inch	34.3*25.8*12.6
Self Diagnosis	kg(lbs)	kg(lbs)	13.0(28.7)
Timer	kg(lbs)	kg(lbs)	48(105.8)
Sleep Operation	°C	°C	-10 ~ 46 (14.0114.8)(Low Ambient)
Soft Dry Operation	°C	°C	-
Restart Delay(minute)	m(ft)	m(ft)	15(49)
Deice Control(Defrost)	m(ft)	m(ft)	7(23)
Hot Start	Indoor + Outdoor	Indoor + Outdoor	S8 + UE
Jet Cool / Heat	Temperature Control	Temperature Control	S8 + UE1
Low Ambient Operation	Thermistor	Thermistor	Thermistor
Special Function	Plasma Filter	Plasma Filter	-
Dry Contact	Prefilter(washable/anti-fungus)	Prefilter(washable/anti-fungus)	O
Network Solution(LGAP)	Auto Clean	Auto Clean	O
PI485	CHAOS Wind(Auto Wind)	CHAOS Wind(Auto Wind)	O
	Steps, Fan/Cool/Heat	Steps, Fan/Cool/Heat	-/4/4
	Airflow Direction Control(up&down)	Airflow Direction Control(up&down)	Auto
	Airflow Direction Control(left&right)	Airflow Direction Control(left&right)	Auto
	Remocon Type	Remocon Type	Wireless LCD
	Setting Temperature	Setting Temperature	18 ~ 30 (64~86)
	Range	Range	18 ~ 30 (64~86)
	Auto Operation (Micom Control)	Auto Operation (Micom Control)	-
	Auto Changeover (Micom Control)	Auto Changeover (Micom Control)	-
	Self Diagnosis	Self Diagnosis	O
	Timer	Timer	24h On/Off
	Sleep Operation	Sleep Operation	O
	Soft Dry Operation	Soft Dry Operation	O
	Restart Delay(minute)	Restart Delay(minute)	2
	Deice Control(Defrost)	Deice Control(Defrost)	-
	Hot Start	Hot Start	-
	Jet Cool / Heat	Jet Cool / Heat	O / -
	Low Ambient Operation	Low Ambient Operation	O
	Special Function	Special Function	-
	Dry Contact	Dry Contact	-
	Network Solution(LGAP)	Network Solution(LGAP)	-
	PI485	PI485	-

**Note:**

O : Applied, - : No relation

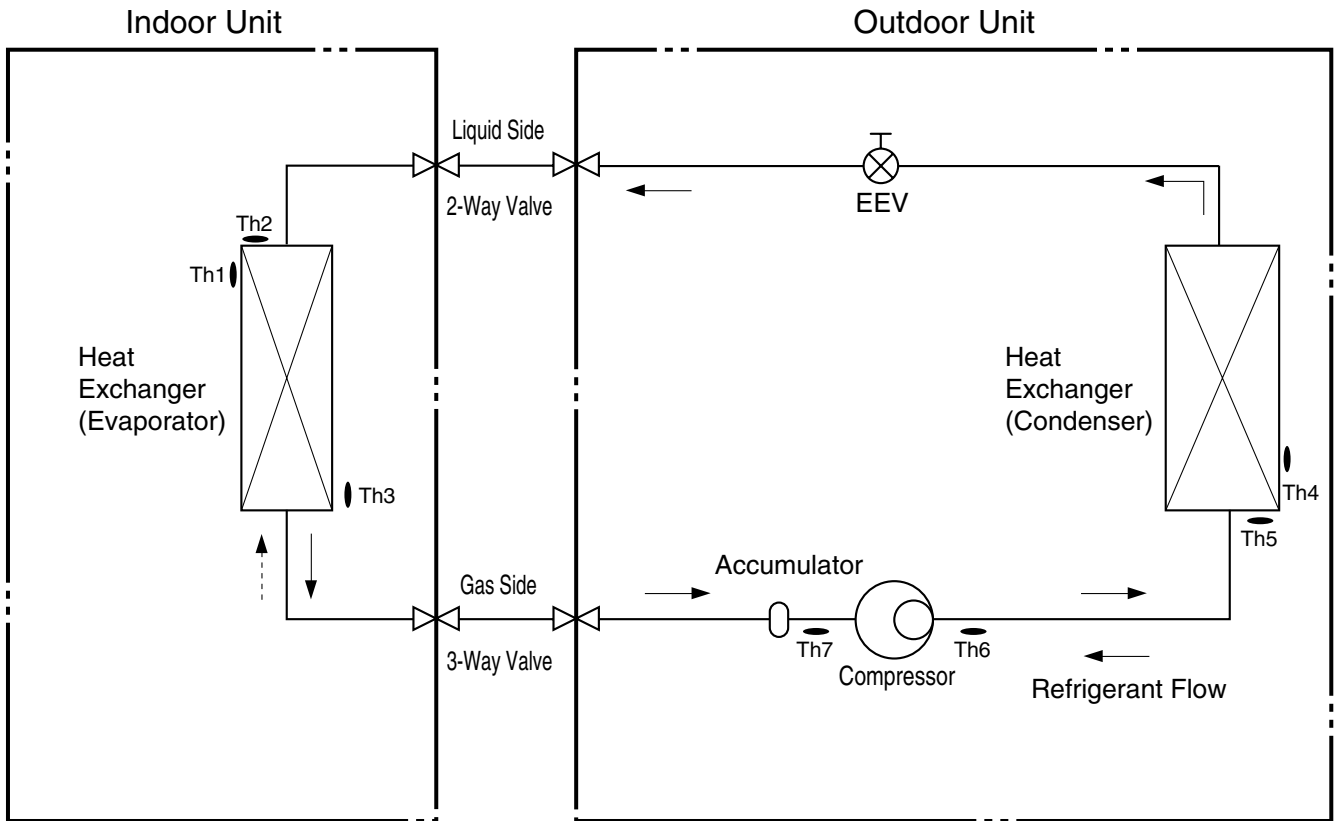
\* For circuit breaker rating, please conform to local standards wherever necessary.

\* Some of functions are slightly different depending upon models.

\* The specification may be subject to change without prior notice for purpose of improvement.

\* Capacity : based on 203V.

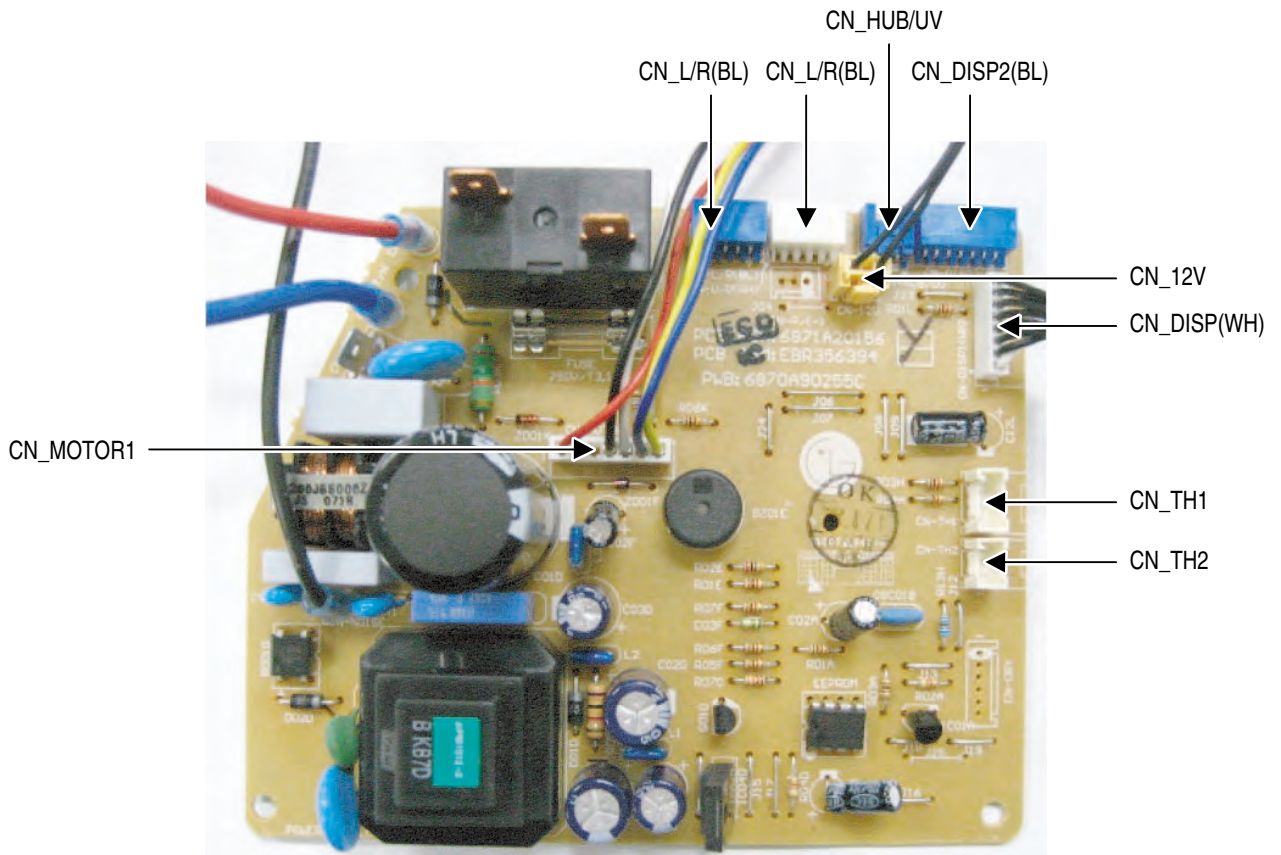
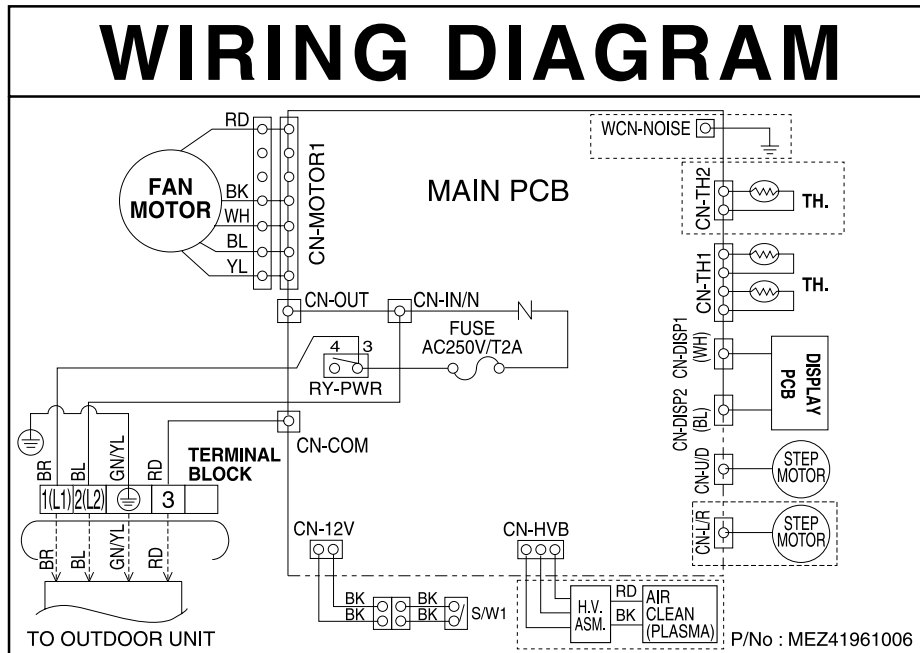
## 2. Piping Diagrams



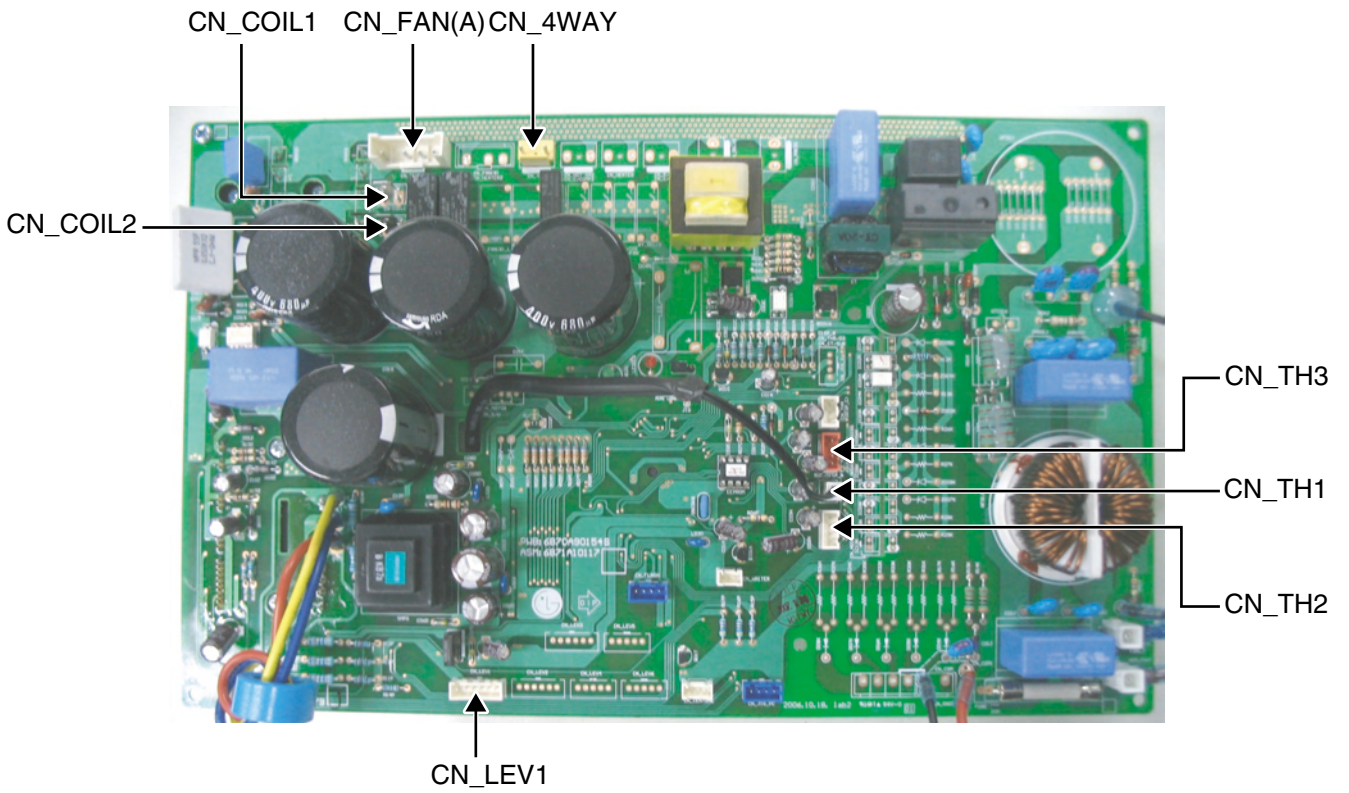
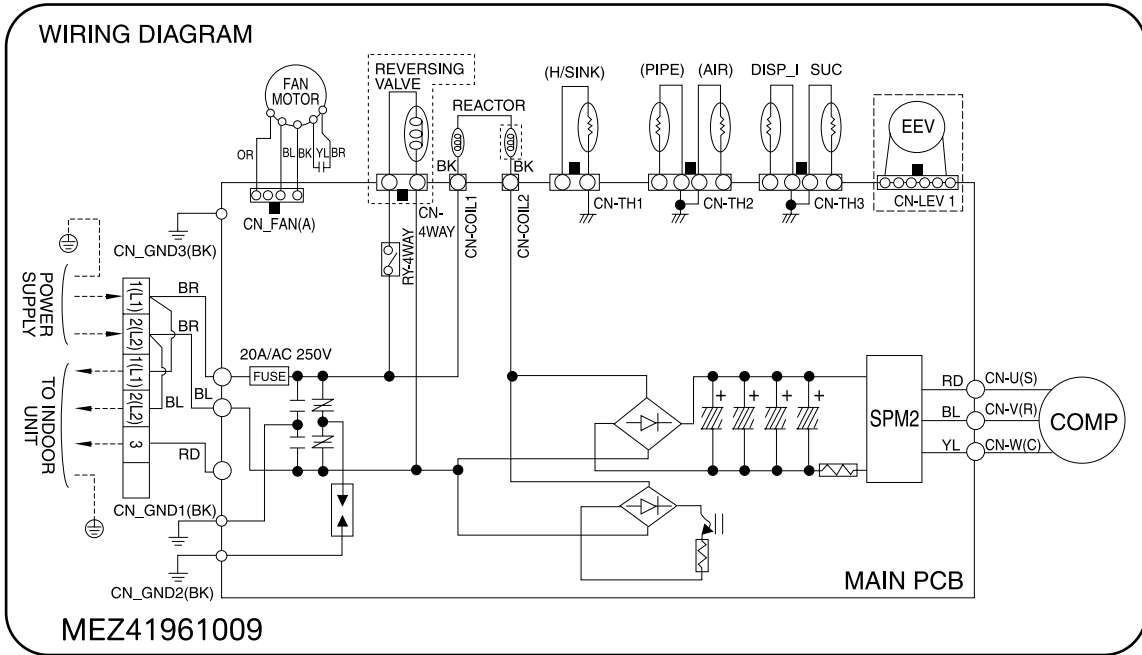
LOC.	Description	PCB Connector
Th1	Thermistor for indoor air temperature	CN_TH1(INDOOR)
Th2	Thermistor for evaporating temperature	CN_TH2(INDOOR)
Th3		CN_TH3(INDOOR)
Th4	Thermistor for outdoor air temperature	CN_TH2(OUTDOOR)
Th5	Thermistor for condensing temperature	
Th6	Thermistor for discharge pipe temperature	CN_TH3(OUTDOOR)
Th7	Thermistor for suction pipe temperature	

### 3. Wiring Diagrams

#### Indoor Unit

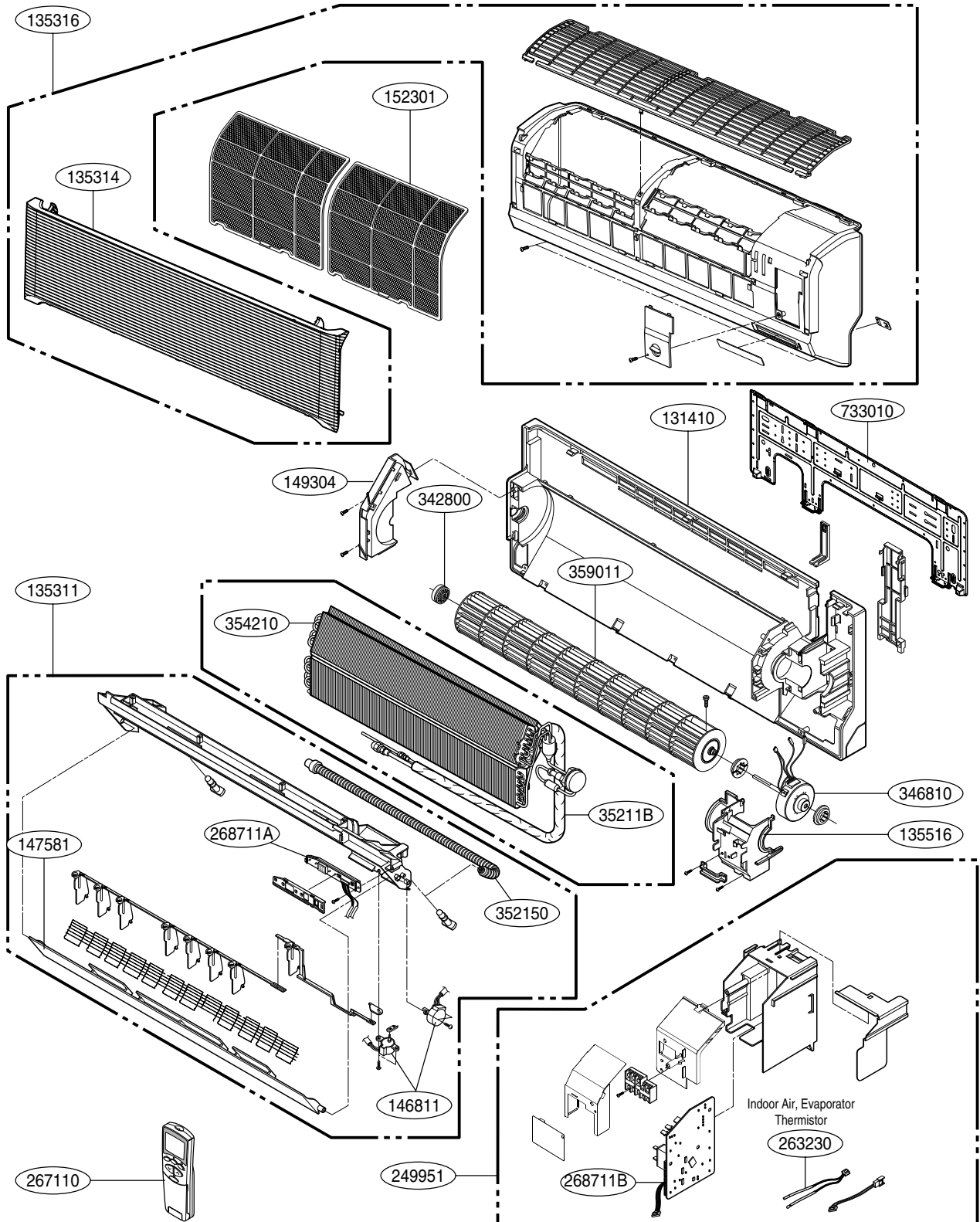


# Outdoor Unit



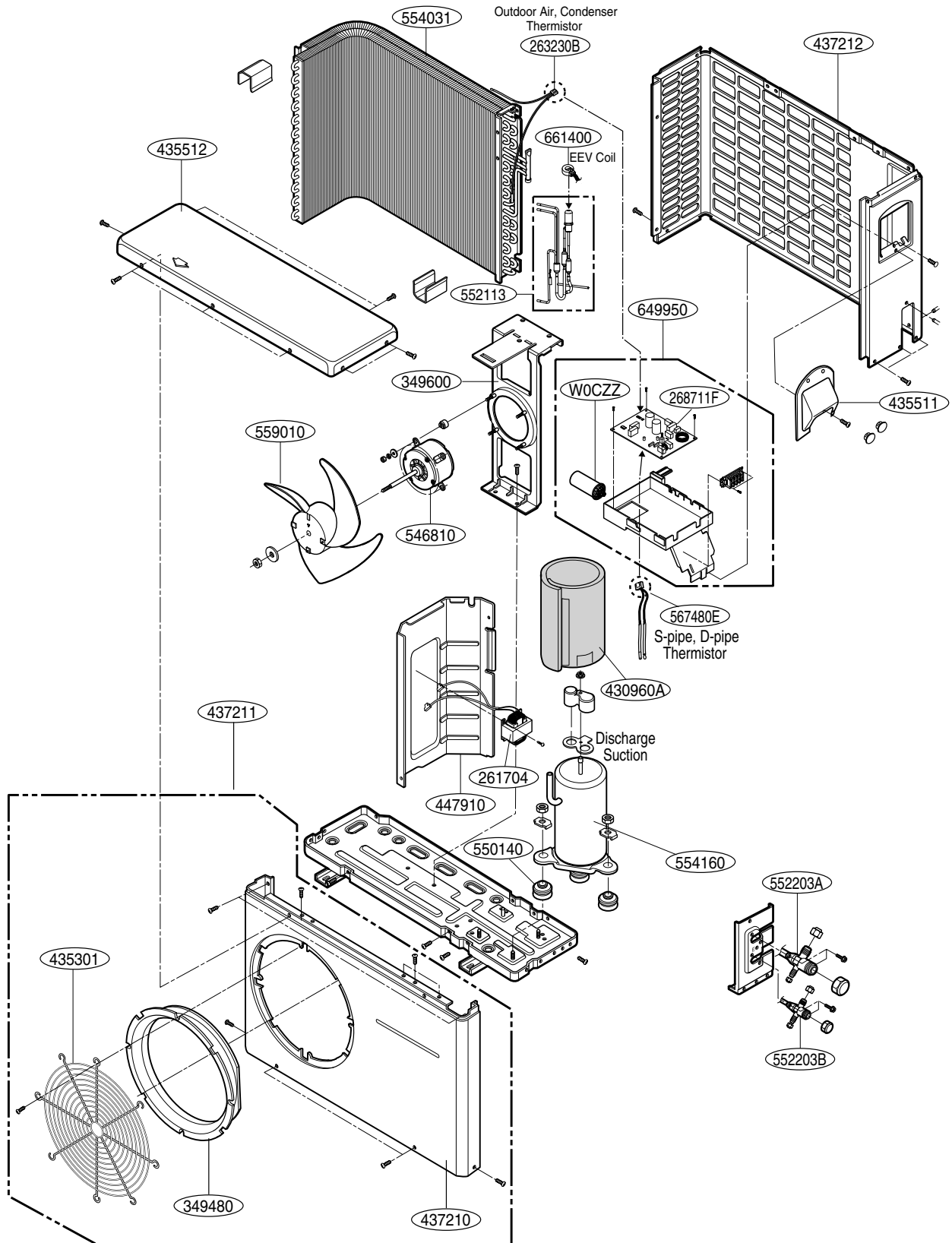
## 4. Exploded View

### Indoor Unit



Note) \* Please ensure GCSC since the replacement parts may be changed depending upon the buyer's request.  
Please check the correct parts in View RPL(Replacement Part List) on GCSC.  
(GCSC Website <http://biz.Lgservice.com>.)

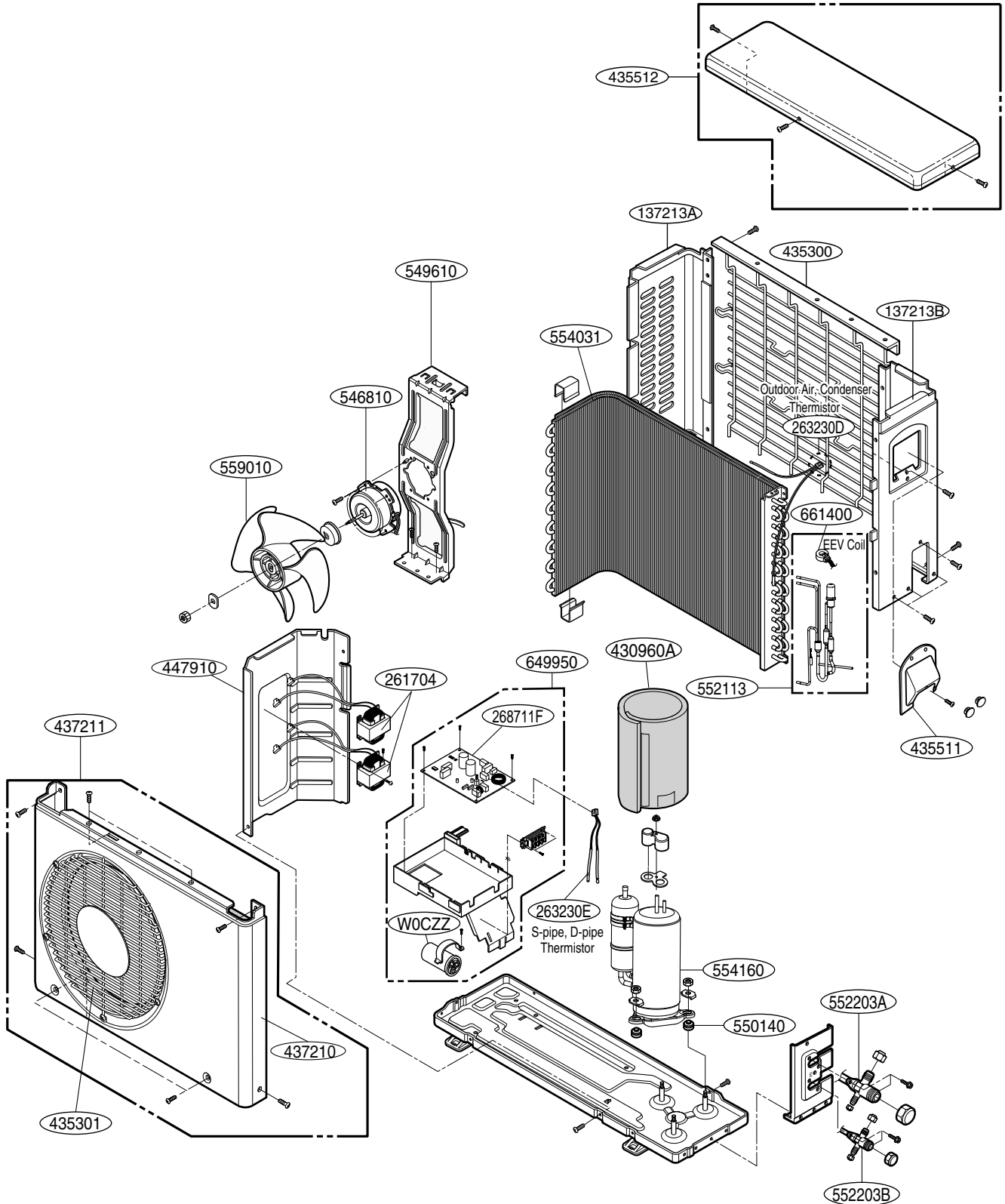
# Outdoor Unit 18k



Note) \* Please ensure GCSC since the replacement parts may be changed depending upon the buyer's request. Please check the correct parts in View RPL(Replacement Part List) on GCSC. (GCSC Website <http://biz.Lgservice.com>.)



# Outdoor Unit 24k



Note) \* Please ensure GCSC since the replacement parts may be changed depending upon the buyer's request. Please check the correct parts in View RPL(Replacement Part List) on GCSC. (GCSC Website <http://biz.Lgservice.com>.)

**Specifications and performance data subject to change without notice.**

## **HEAT CONTROLLER, INC.**

1900 WELLWORTH AVENUE • JACKSON, MICHIGAN 49203

*THE QUALITY LEADER IN CONDITIONING AIR*

P/No.:MFL42286413