

This Owner's Manual is provided and hosted by [Appliance Factory Parts](http://ApplianceFactoryParts.com).

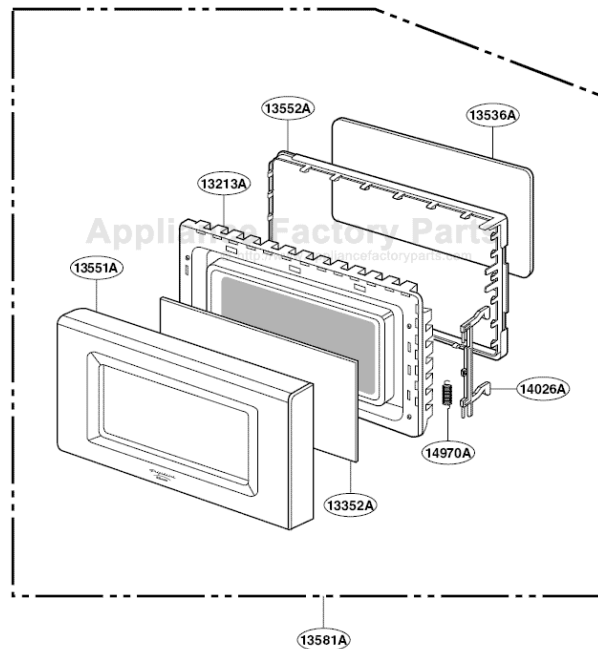


# FRIEDRICH CPLMB186CC Owner's Manual

[Shop genuine replacement parts for FRIEDRICH  
CPLMB186CC](#)

## DOOR PARTS

For model: CPLMB186CC



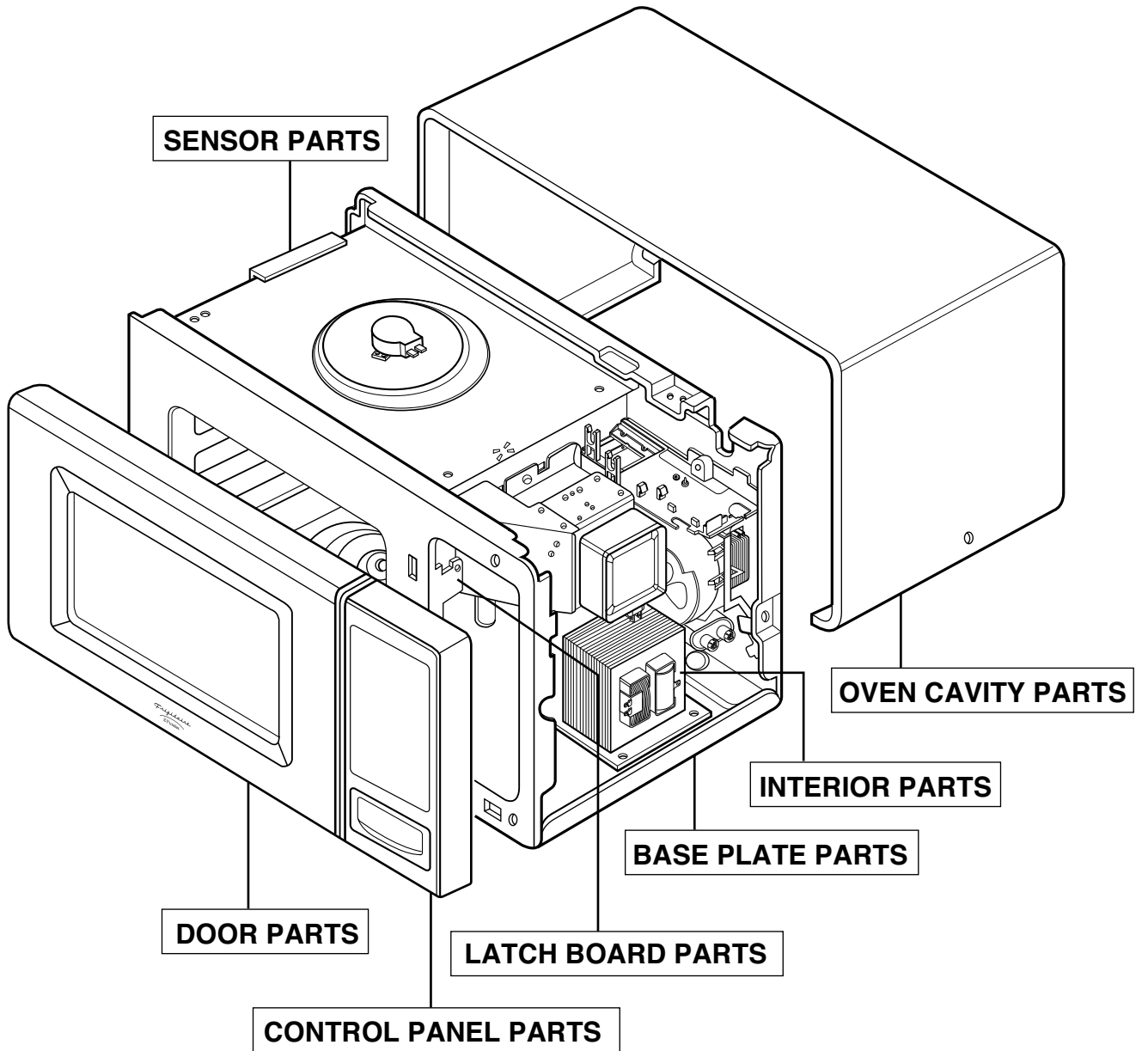
[Find Your FRIEDRICH Microwave Parts - Select From 2 Models](#)

----- Manual continues below -----

# EXPLODED VIEW

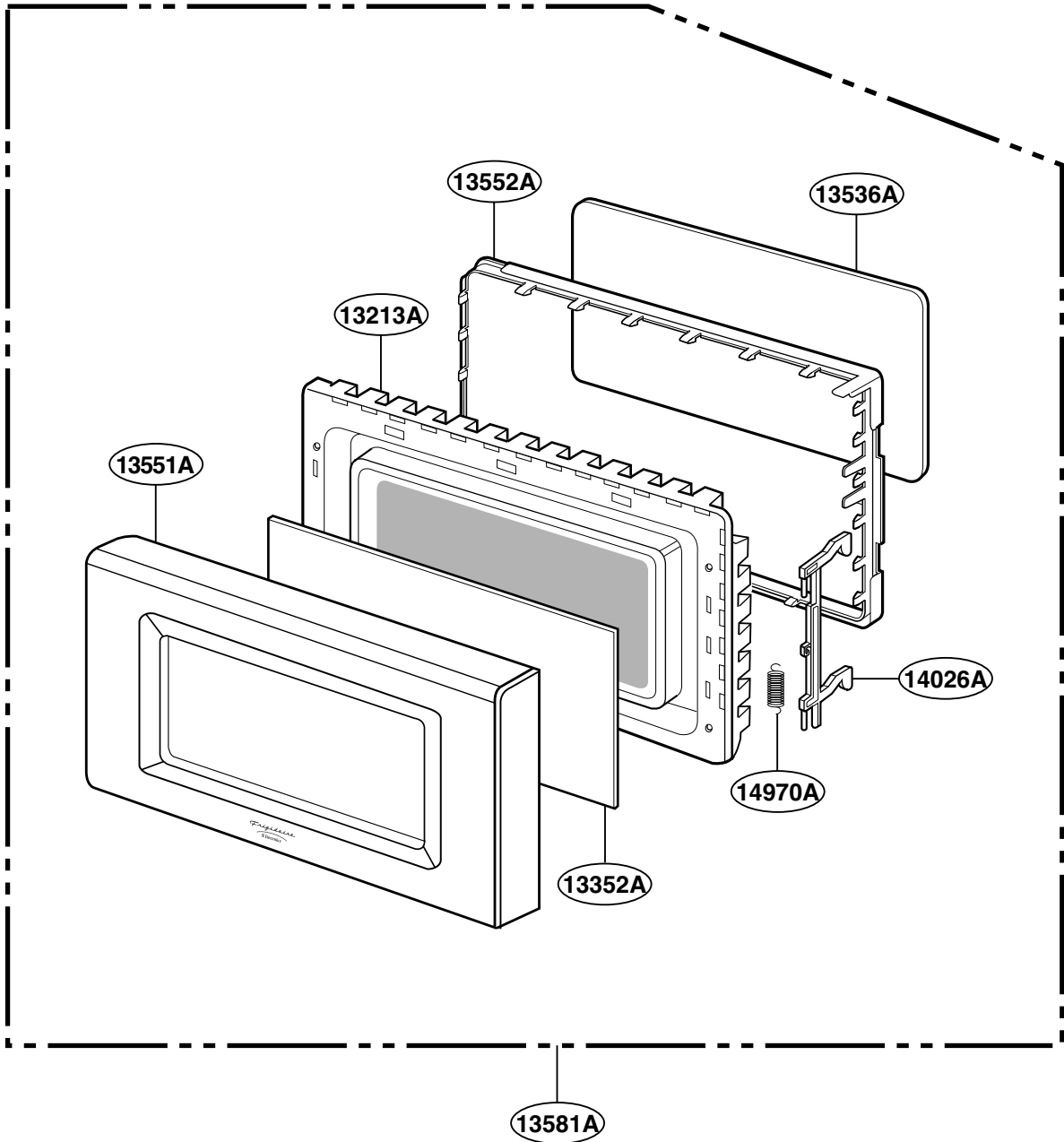
## INTRODUCTION

MODEL: CPLMB186CC



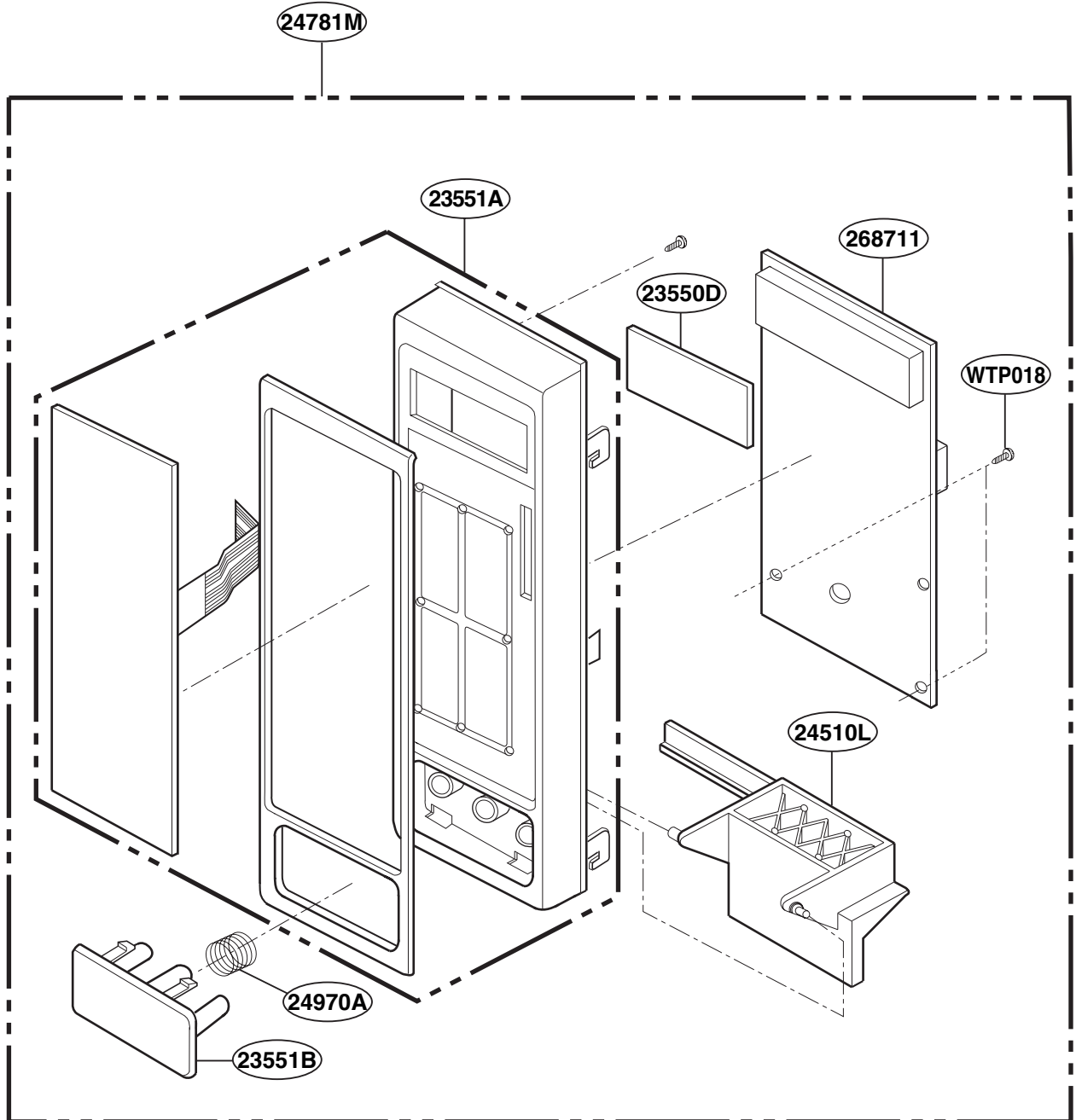
# DOOR PARTS

For model: CPLMB186CC



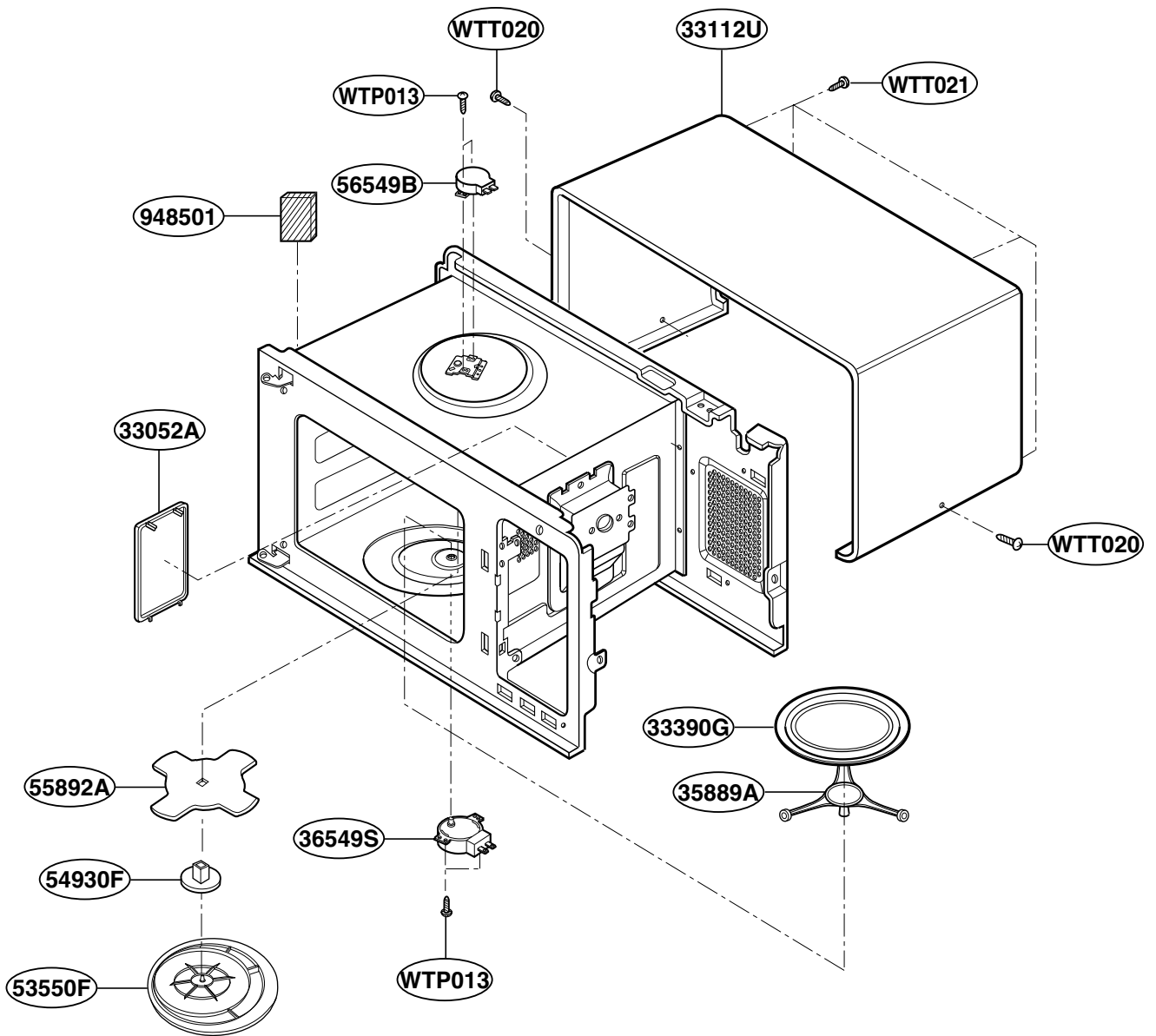
# CONTROLLER PARTS

For model: CPLMB186CC



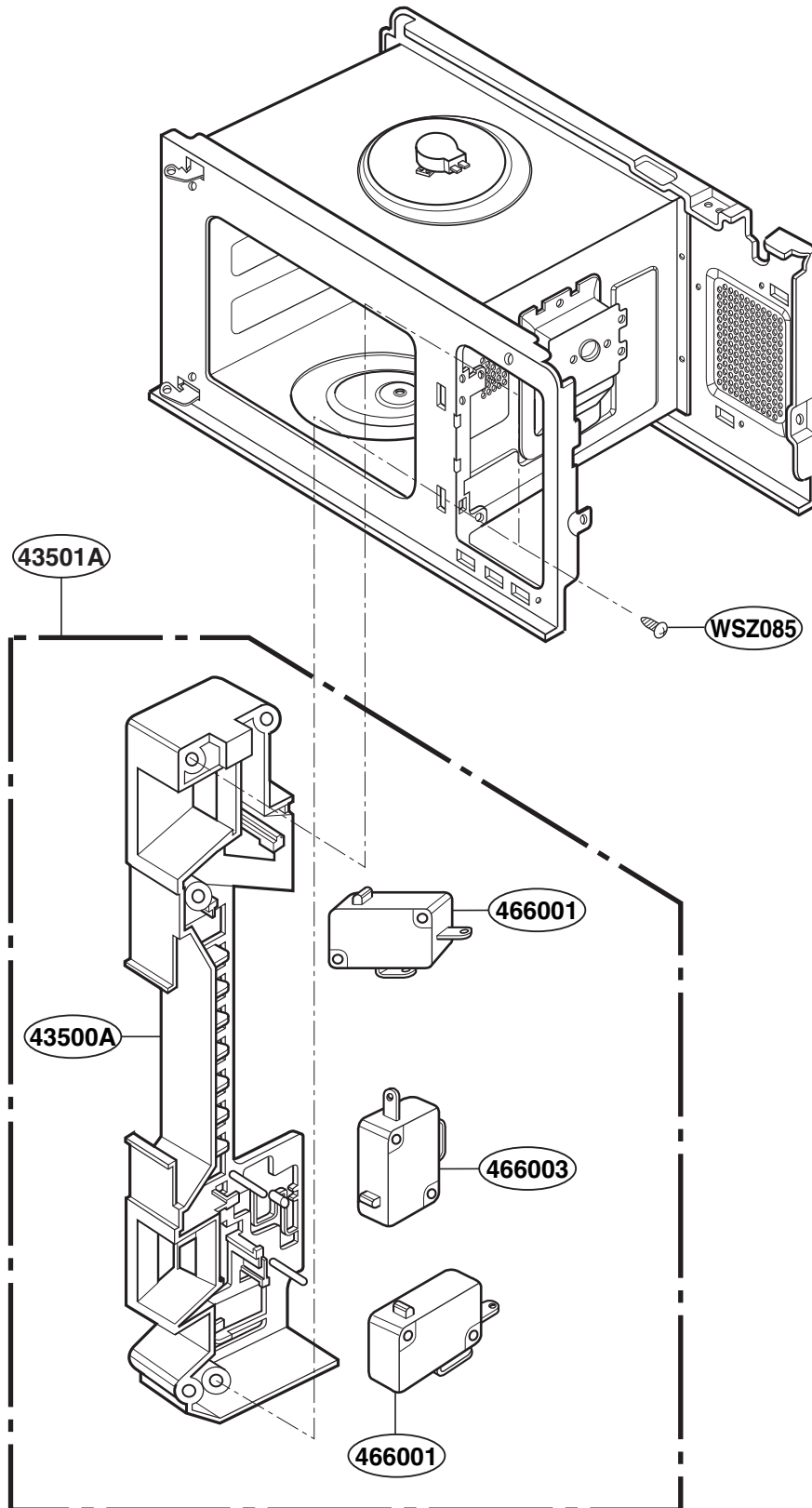
# OVEN CAVITY PARTS

For model: CPLMB186CC



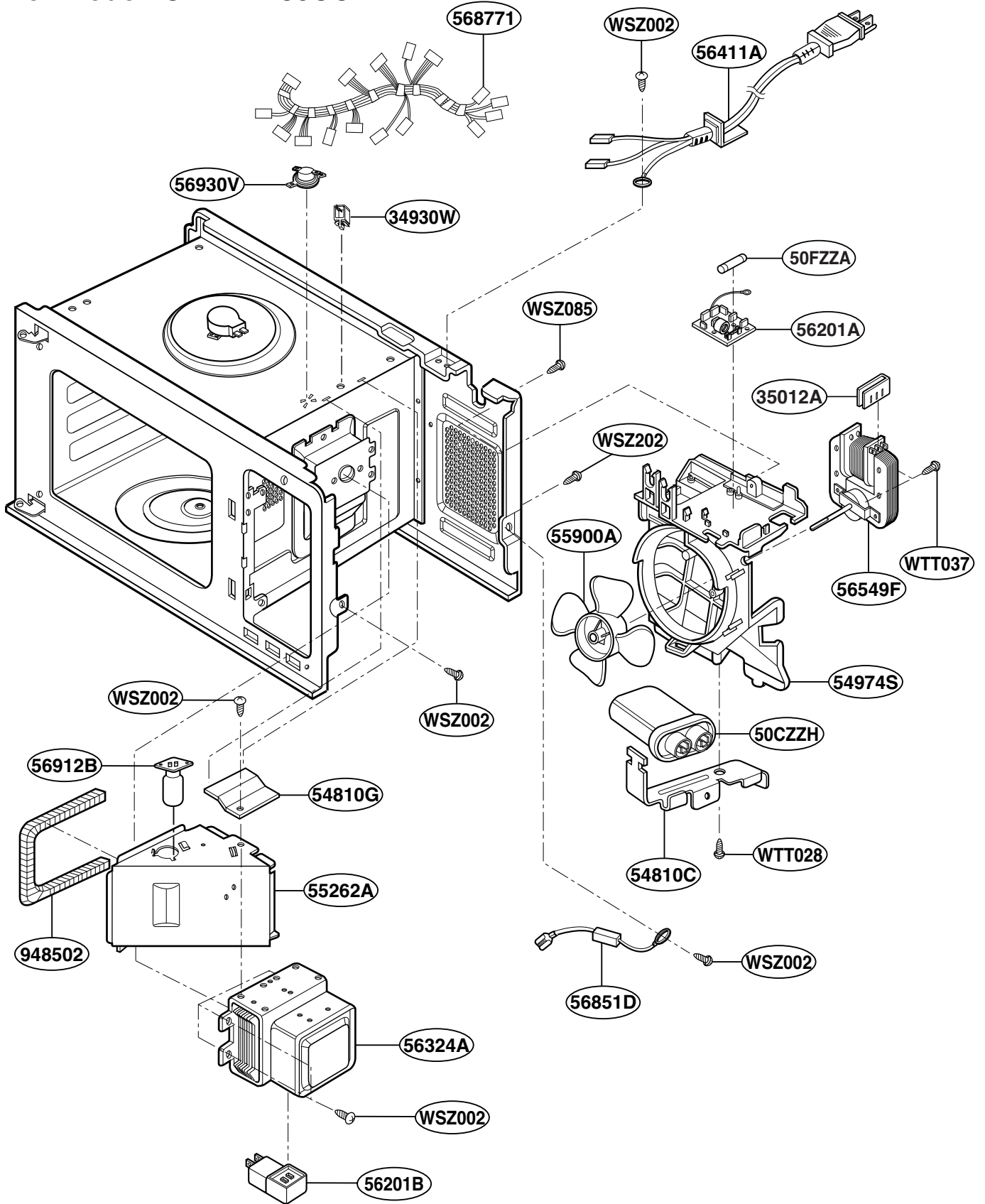
# LATCH BOARD PARTS

For model: CPLMB186CC



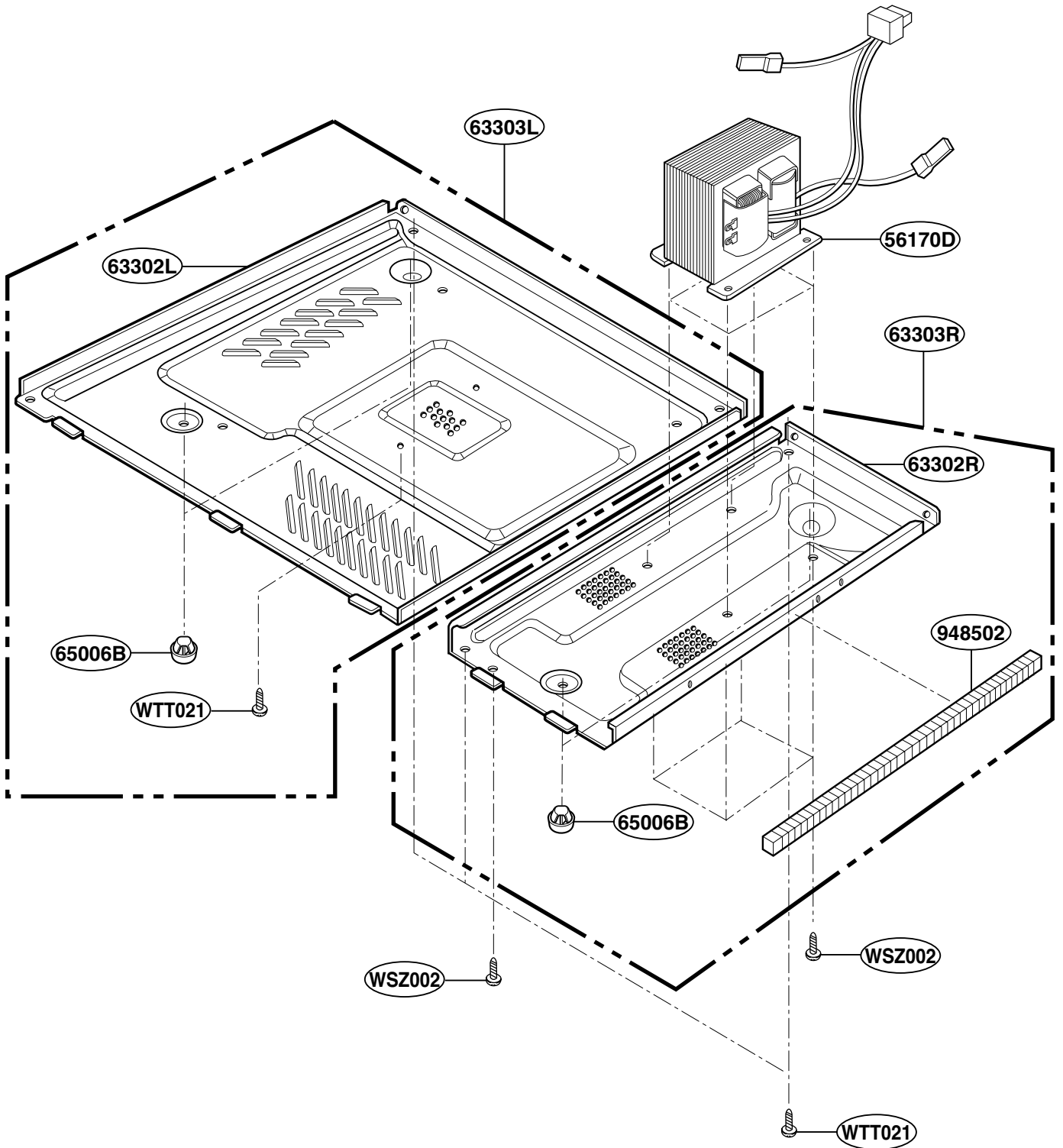
# INTERIOR PARTS

For model: CPLMB186CC



# BASE PLATE PARTS

For model: CPLMB186CC





# SENSOR PARTS

For model: CPLMB186CC

