

This Owner's Manual is provided and hosted by [Appliance Factory Parts](#).



Charmglow 810-8530-S Owner's Manual

[Shop genuine replacement parts for Charmglow
810-8530-S](#)



[Find Your Charmglow Grill Parts - Select From 997 Models](#)

----- Manual continues below -----

Charmglow®

UNIVERSAL ROTISSERIE ROTISSERIE UNIVERSAL

OWNER'S MANUAL MANUAL DEL PROPIETARIO

ASSEMBLY AND OPERATING INSTRUCTIONS
INSTRUCCIONES DE ARMADO Y OPERACIÓN

⚠ WARNING

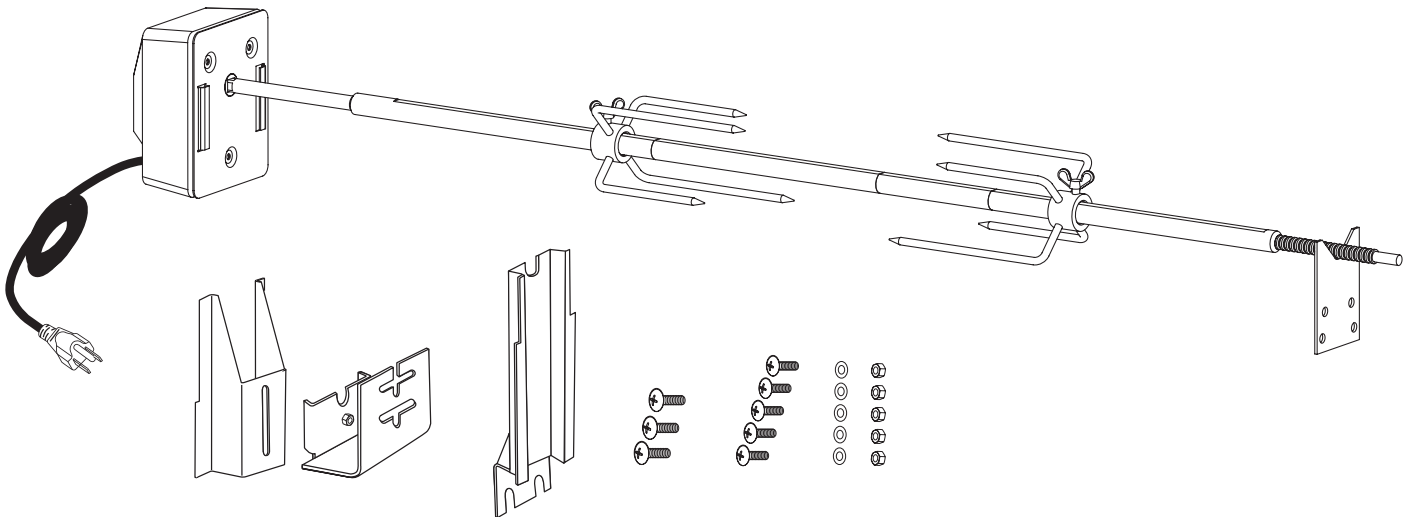
**READ AND FOLLOW ALL
WARNINGS AND
INSTRUCTIONS IN THIS
MANUAL TO AVOID PERSONAL
INJURY, INCLUDING DEATH OR
PROPERTY DAMAGE.**

⚠ ADVERTENCIA

**LEA Y SIGA TODAS LAS
ADVERTENCIAS E
INSTRUCCIONES EN ESTE
MANUAL PARA EVITAR LESIONES
PERSONALES, INCLUSO MUERTE
O DAÑOS MATERIALES.**

**SAVE THIS MANUAL FOR
FUTURE REFERENCE**

**GUARDE ESTE MANUAL
PARA REFERENCIA FUTURA**





IMPORTANT SAFETY WARNINGS

WE WANT YOU TO ASSEMBLE AND USE YOUR ROTISSERIE AS SAFELY AS POSSIBLE. THE PURPOSE OF THIS SAFETY ALERT SYMBOL  IS TO ATTRACT YOUR ATTENTION TO POSSIBLE HAZARDS AS YOU ASSEMBLE AND USE YOUR ROTISSERIE.

WHEN YOU SEE THE SAFETY ALERT SYMBOL  PAY CLOSE ATTENTION TO THE INFORMATION WHICH FOLLOWS!

 READ ALL SAFETY WARNINGS AND INSTRUCTIONS CAREFULLY BEFORE ASSEMBLING AND OPERATING YOUR ROTISSERIE.

WARNING

ELECTRICAL GROUNDING INSTRUCTIONS:

This appliance (roastisserie motor) is equipped with a three-prong (grounding) plug for your protection against electrical shock hazard. It should be plugged directly into a properly grounded three-prong receptacle. DO NOT cut or remove the grounding prong from this plug.

- Always check the grill prior to each use as indicated in the “Pre-Start Check List” section of the Charmglow® Owner’s Manual.
- Keep children and pets away. DO NOT allow children to use or play near the grill or roastisserie.
- DO NOT leave the grill unattended while in use.
- DO NOT use the side burner when using a roastisserie. Burner lid could be hot from prior use.
- To avoid body injury, DO NOT touch spit rod while in use or soon after use, rod can be EXTREMELY HOT.
- Keep any electrical supply cords away from water or hot surfaces.
- DO NOT operate with a damaged cord or plug.
- Turn roastisserie motor switch to “OFF” before removing plug from outlet.
- Unplug the roastisserie motor when not in use and before cleaning.
- DO NOT exceed 12 lbs. of food on the roastisserie.
- Keep a fire extinguisher acceptable for use with gas products close by. Refer to your local authority to determine proper size and type.
- For household use only. DO NOT use the grill or this roastisserie for anything other than its intended purpose.
- DO NOT use while under the influence of drugs or alcohol.
- When using an AC current roastisserie, it must be electrically grounded in accordance with local codes, or in the absence of local codes:
 - In the US: The National Electrical Code – ANSI-NFPA No. 70 – Latest Edition
 - In Canada: the Canadian Electrical Code – CSA C22.1

 USE CAUTION AND COMMON SENSE WHEN OPERATING YOUR GAS GRILL. FAILURE TO ADHERE TO THE SAFETY WARNINGS AND GUIDELINES IN THIS MANUAL COULD RESULT IN SEVERE BODILY INJURY OR PROPERTY DAMAGE.

SAVE THIS MANUAL FOR FUTURE REFERENCE.

ASSEMBLY INSTRUCTIONS

⚠ READ ALL SAFETY WARNINGS & ASSEMBLY INSTRUCTIONS CAREFULLY BEFORE ASSEMBLING OR OPERATING YOUR ROTISSERIE.

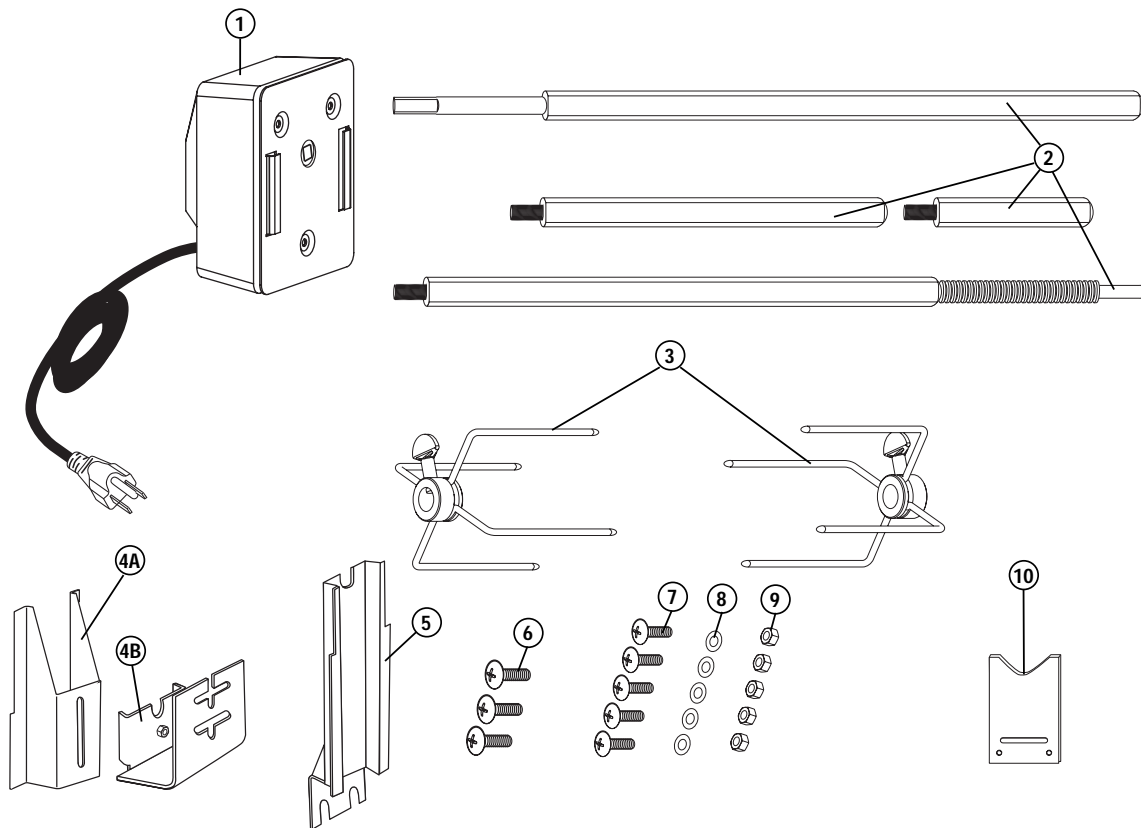
READ THE OWNERS MANUAL TO THE GRILL BEFORE ASSEMBLING OR USING THIS ROTISSERIE.

THE FOLLOWING TOOLS ARE REQUIRED TO ASSEMBLE THIS UNIVERSAL ROTISSERIE:

- Phillips & Flathead Screwdrivers
- Adjustable Wrench

PARTS LIST:

- | | | | | | |
|---|---|-----------------------------|---|---|-----------------------|
| ① | 1 | Motor | ⑦ | 5 | M5 X 10mm Screws |
| ② | 4 | Spit Rod Sections | ⑧ | 5 | M5 Washers |
| ③ | 2 | Forks | ⑨ | 5 | M5 Nuts |
| ④ | 2 | Motor Mount Bracket (A & B) | ⑩ | 1 | Right Support Bracket |
| ⑤ | 1 | Motor Mount Bracket | | | |
| ⑥ | 3 | M6 X 10mm Screws | | | |



FOR COVERS, ACCESSORIES AND OTHER PRODUCTS, PLEASE VISIT US ONLINE AT:
www.brinkmann.net

FOR GRILL WARRANTY REPLACEMENT PARTS, PLEASE VISIT US AT:
www.grillpartsonline.com

(Proof of purchase will be required.)

Inspect contents of the box to ensure all parts are included and undamaged.

ASSEMBLY STEPS

Most Charmglow® grill models will use motor mount bracket ④ (Step 1 - Step 6), if your grill is model 810-7400-S, 810-7500-S or 810-8500-S, use motor mount bracket ⑤ and skip to Step 7.

Step 1

Open grill hood and remove cooking grills. Refer to your original grill owner's manual.

Step 2

Attach motor mount bracket 4B on the left hand side of the grill using two screws, washers and nuts.

Note: Motor mount bracket 4B may be flipped to fit properly on certain grills.

Step 3

Attach motor mount bracket 4A to bracket 4B using one screw as shown. Keep screw loose until height adjustment has been set.

Step 4

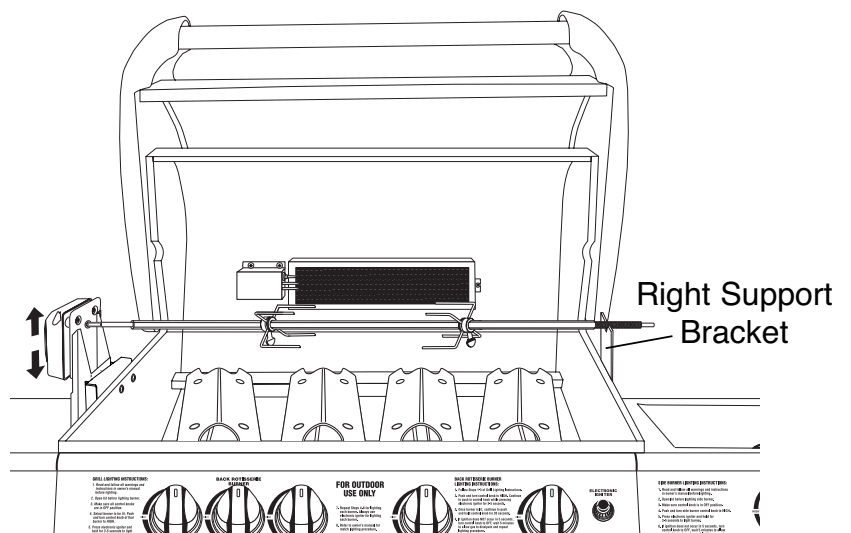
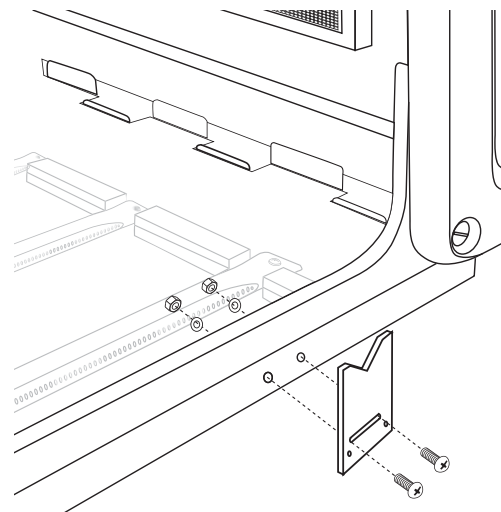
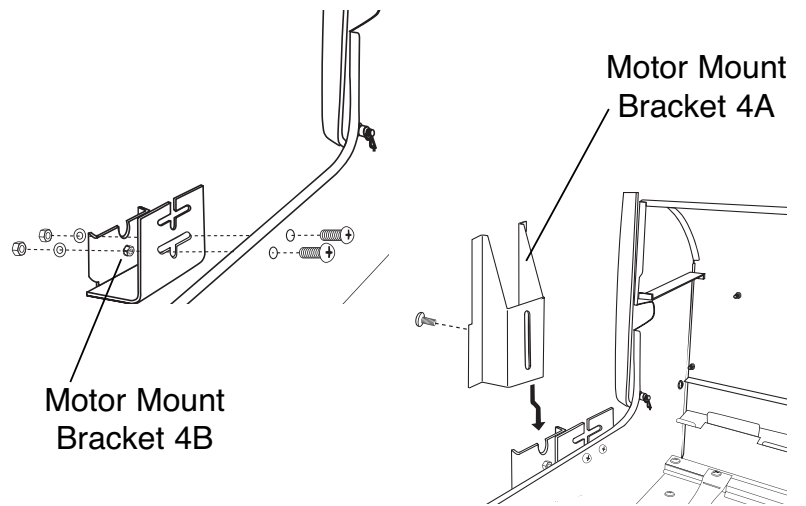
If a notch on the right side of the grill does not exist for your spit rod, attach the spit rod support bracket to the outside right hand side of the grill using two screws, washers and nuts. (Two sets of holes are provided depending on your grill model.)

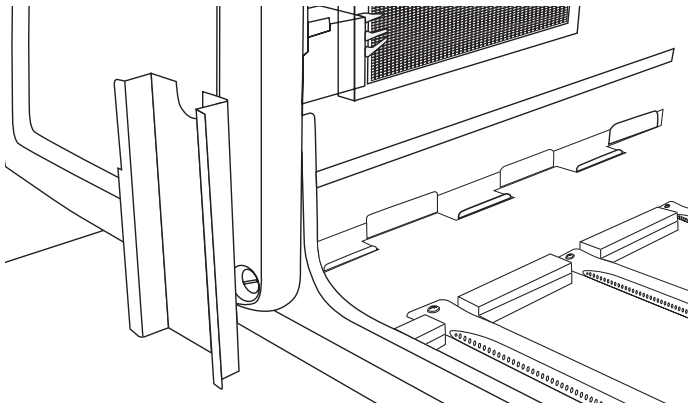
Step 5

Using a combination of sections, securely assemble the spit rod to a length that will rest on both the motor mount bracket to the spit rod bracket.

Step 6

To set the proper height for your motor mount bracket, place the motor on the motor mount bracket, place the spit rod in the motor and slide the bracket adjustment up or down until the spit rod is level. After adjustment has been made, tighten motor mount bracket 4A to bracket 4B with screw.





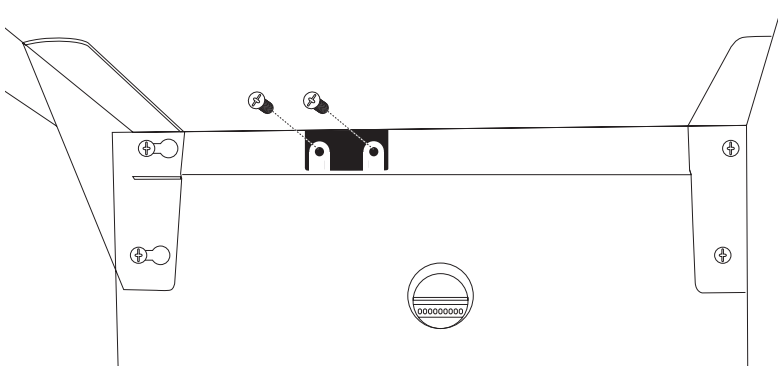
**STEPS 7 - 11 ARE FOR MODELS
810-7400-S, 810-7500-S & 810-8500-S**

Step 7

Open grill hood and remove cooking grills. Refer to your original grill owner's manual.

Step 8

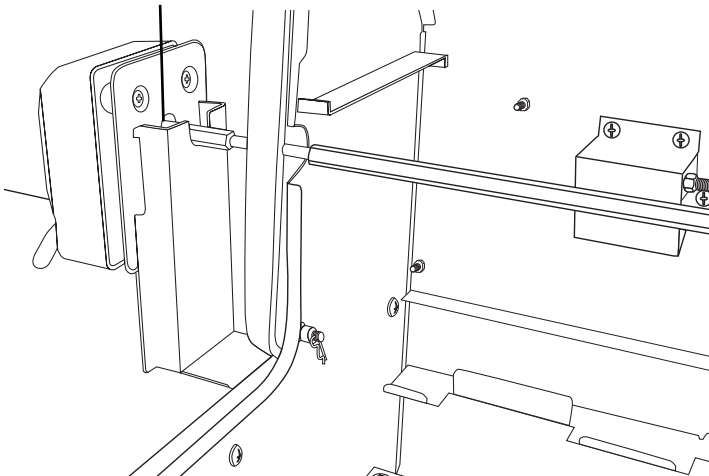
Attach motor mount bracket ⑤ on the left hand side of the grill using two M6 X 10mm screws. Screw holes are located underneath side table.



Step 9

Slide the motor onto the support bracket. Slide spit rod into motor socket.

Motor Socket



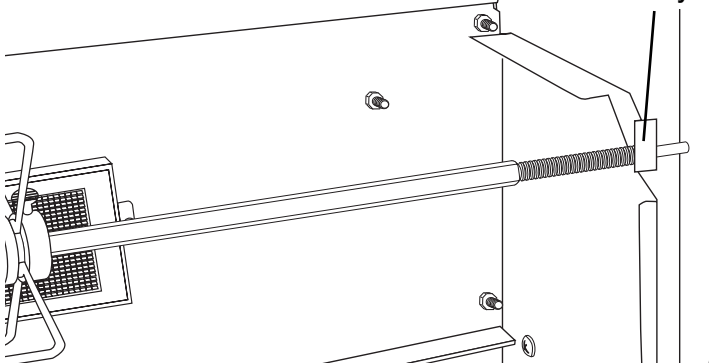
Step 10

Using a combination of sections, assemble the spit rod to a length that will rest on both the motor mount bracket and the spit grill body notch.

Step 11

Lock right hand side of spit rod into grill body notch.

Grill Body Notch



READ ALL WARNINGS ON PAGE 1 AND IN THE OWNERS MANUAL TO THE GRILL.

⚠ WARNING

ELECTRICAL GROUNDING INSTRUCTIONS:

This appliance (rotisserie motor) is equipped with a three-prong (grounding) plug for your protection against electrical shock hazard. It should be plugged directly into a properly grounded three-prong receptacle. **DO NOT** cut or remove the grounding prong from this plug.

OPERATING THE ROTISSERIE:

1. Your grill was pre-drilled from the factory to include mounting holes for the Charmglow® Universal Rotisserie.
2. Install the rotisserie motor onto the motor mount bracket.
3. Ensure that the rotisserie motor is turned to “OFF.”

Note: Rotisserie motor is capable of turning up to a 12 lb. cut of meat or poultry.

4. Place one fork onto the spit rod with the prongs facing away from the handle. Do not tighten set screw at this time.
5. Skewer meat with the spit rod and slide to the center of the rod.
6. Place second fork onto the spit rod with the prongs facing the meat.
7. Slide both forks tightly against the meat and securely tighten the fork set screws.
8. Check the balance of the food on the rod by rotating the loaded spit rod loosely in your hands. The rod should rotate evenly with little effort. Adjust the food on the spit to achieve a balanced assembly.
9. Place the loaded spit rod into the motor assembly and support bracket.
10. Close the grill lid and turn the rotisserie motor “ON.”

Note: Erratic noises from the motor are a sign of an unbalanced spit rod. Which could cause severe damage to motor gears.

⚠ WARNING: Always use oven mitts/gloves to protect your hands. Metal parts become hot during use. Use extreme caution when handling spit rod and forks.

11. Always turn the rotisserie motor to “OFF” when opening the grill lid.

ROTISSERIE COOKING CONTINUED:

12. When food is done, use oven mitts/gloves to remove spit rod from motor assembly.
13. Loosen fork set screws and remove meat by sliding off the end of the spit rod.

GRILLING TO PROPER TEMPERATURE:

- Use a meat thermometer to be sure food has reached a safe internal temperature.
- The US Department of Agriculture recommends the minimum temperature be reached for the following food items:

Pork ----- 160 degrees F (71° C)

Poultry ----- 180 degrees F (82° C)

Roasts ----- 145 degrees F (62.8° C)

HELPFUL HINTS

- If you pre-cook meat or poultry, do so immediately before grilling.
- Never defrost meat at room temperature or on a countertop.
- Refrigerate leftovers within 2 hours of taking food off the grill.

For additional information, please phone the USDA's toll free Meat & Poultry Hotline at:

800-535-4555

CLEANING AND MAINTENANCE:

- Spit rod and forks can be disassembled and washed in dish soap and warm water.

Note: All metal parts, with exception of the motor, are dishwasher safe.

- After first use, it is likely that the stainless steel adjacent to the burner will darken. This is a normal property of stainless steel used on the rotisserie.
- Store motor and other parts in a cool, clean and dry place.
- To prevent electrical shock hazard, DO NOT immerse the motor or cord in water.