

This Owner's Manual is provided and hosted by [Appliance Factory Parts](#).



# WHIRLPOOL GH9115XEQ Owner's Manual

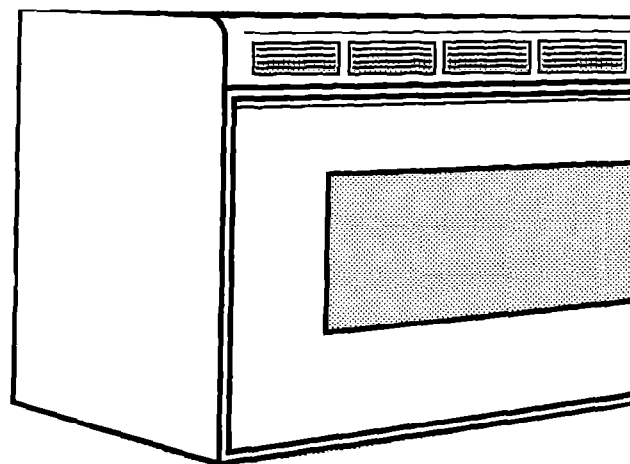
[Shop genuine replacement parts for WHIRLPOOL  
GH9115XEQ](#)



[Find Your WHIRLPOOL Microwave Parts - Select From 1350 Models](#)

----- Manual continues below -----

# Installation



**IMPORTANT:**  
Read and save  
these instructions.

**IMPORTANT:**

**Installer:** Leave Installation Instructions with homeowner.

**Homeowner:** Keep Installation Instructions for future reference.

**Save** Installation Instructions for electrical inspector's use.

**Microwave O  
Combination**

# Before you start...

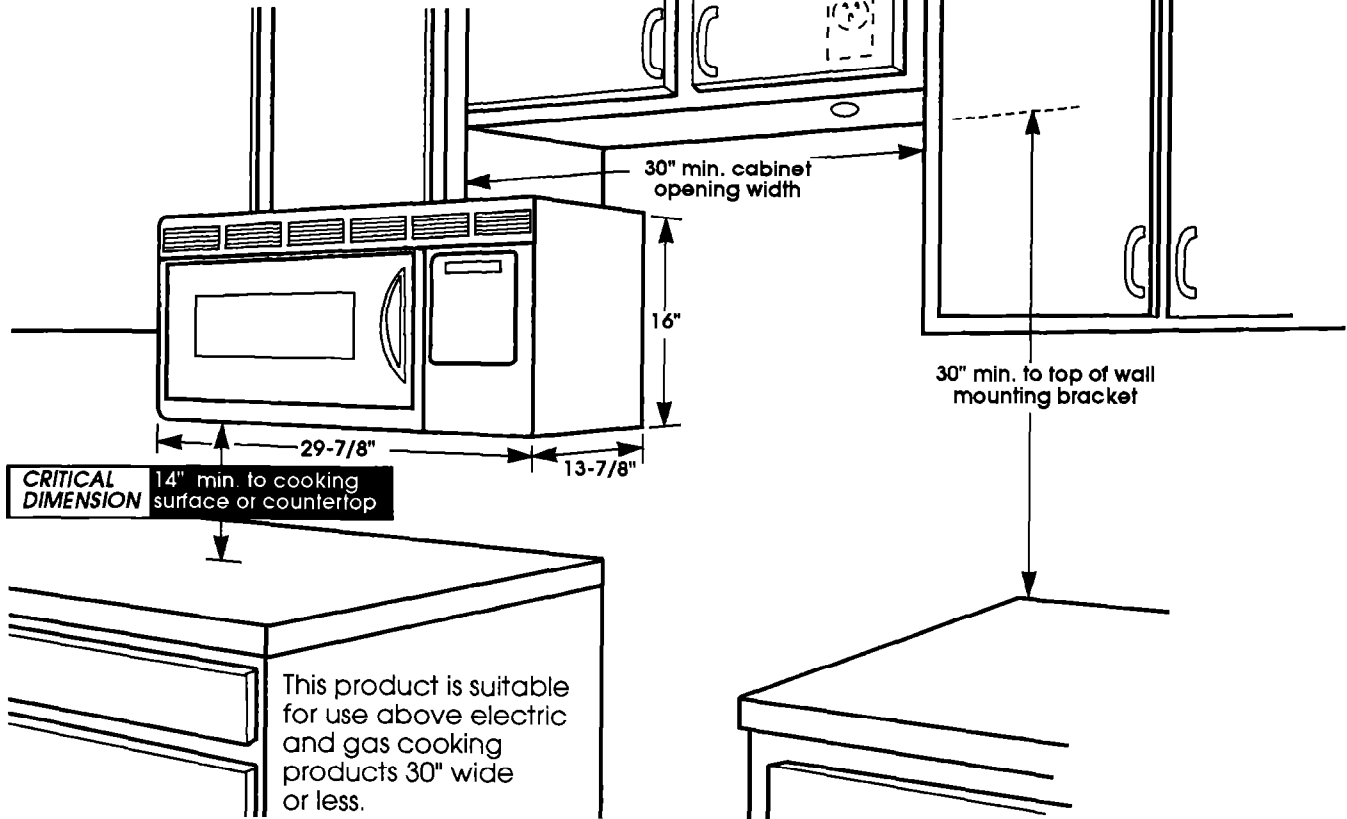
Proper installation is the installer's responsibility. A qualified technician should install this microwave oven hood. Make sure you have everything necessary for correct installation. It is the responsibility of the installer to comply with the installation clearances specified either on the mounting bracket or in the Installation Instructions.

This microwave oven hood is shipped assembled for ventless (recirculating) installation.

**Important: Observe all governing codes and ordinances.**

Electrical ground is required. See "Electrical requirements," Panel B.

Remove all contents from the upper cabinet.



Wall construction should be a minimum of 2" x 4" wood studding and 3/8" thickness drywall or plaster/lath.

**Check the microwave oven for damage.** Remove all packaging material from inside microwave oven. See WARNING for excessive microwave energy exposure. If any damage is evident, Do Not operate the microwave oven until it is checked by an authorized service technician.

Place a portion of carton or another heavy material over the countertop and range before installing the microwave oven hood. Do Not use a plastic cover.

### Check location:

- The wall must be strong enough to support the microwave oven hood weight of 150 pounds, plus the weight of any items placed inside the microwave oven or the upper cabinet.
- The location should be away from draft areas, such as windows, doors, and strong heating vents.
- The microwave oven hood should be located for convenient use in the kitchen.

## Parts supplied for installation:



4, 1/4" x 3" bolts



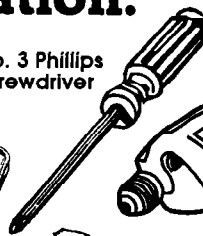
## Tools and materials needed for installation:



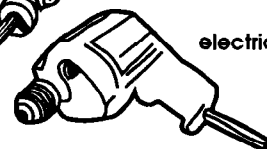
stud finder or thin nail

No. 3 Phillips screwdriver

flat-blade screwdriver



carton or another heavy material for covering countertop



electric drill

Excess  
Do Not a  
oven wit  
Do Not t  
interlock  
Do Not p  
microwa  
Do Not a  
accumul  
microwa  
Do Not o  
damaged  
The micr  
properly  
use micr  
hinges a  
door sea  
broken.  
The micr  
and repa  
person.  
Have a q  
microwa  
Do Not u  
commerc  
oven is d  
Failure t  
instructe  
excessiv

It is the c  
To contac  
To assure  
adequate  
National E  
latest edit  
ordinance  
To correc  
Electrical  
the wall c  
could res  
To locate  
be affecte  
product a  
Failure to  
result in d

Two peop  
microwa  
Failure to  
during ins

This micro  
mounted

# Electrical requirements

## ! WARNING



### Electrical Shock Hazard

Electrical ground is required for microwave oven hood.

Do Not ground to a gas pipe.

Do Not change the power supply cord plug. If it does not fit the outlet, have a proper outlet installed by a qualified electrician.

Do Not have a fuse in the neutral or grounding circuit.

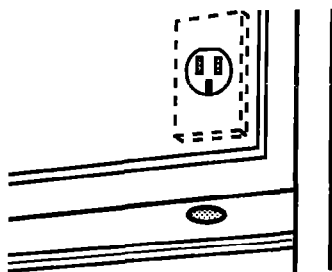
Do Not use an extension cord.

Check with a qualified electrician if you are not sure microwave oven hood is properly grounded.

Failure to follow these instructions could result in death or serious injury.

If codes permit and a separate grounding wire is used, it is recommended that a qualified electrician determine that the grounding path is adequate.

A 120-volt, 60-Hz, AC-only, 15- or 20-ampere, fused electrical supply (located in the upper cabinet as close as possible to the microwave oven hood) is required. A time-delay fuse or circuit breaker is recommended. It is recommended that a separate circuit serving only this appliance be provided.



### Recommended grounding method

For your personal safety, this microwave oven hood must be grounded. This microwave oven hood is equipped with a power supply cord having a 3-prong grounding plug. To minimize possible shock hazard, the cord must be plugged into a mating 3-prong grounding-type wall receptacle, grounded in accordance with the National Electrical Code, ANSI/NFPA 70 — latest edition (\*, see Panel A), and all local codes and ordinances. (See Figure 1.) If a mating wall receptacle is not available,

# Venting requirements

Ductwork needed for Installation is not included. Wall and roof caps used must have back-draft damper.

## ! WARNING



### Fire Hazard

Venting system must terminate to the outside.

Do Not terminate the ductwork in an attic or other enclosed space.

Do Not use 4" laundry-type wall caps.

Do Not use plastic ductwork.

Failure to follow recommended venting procedures may result in a fire.

**CAUTION:** To reduce risk of fire and to properly exhaust air, be sure to duct air outside. Do Not vent exhaust air into spaces within walls or ceilings or into attics, crawl spaces or garages.

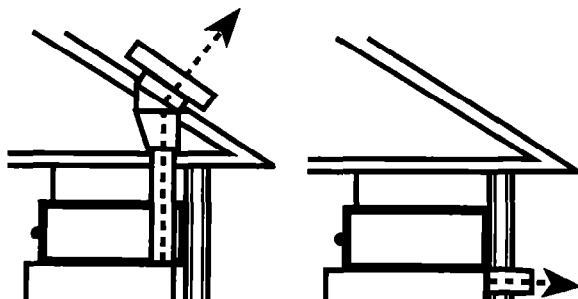
Use metal ductwork only. Rigid metal ductwork is recommended.

Flexible metal ductwork is Not recommended. If flexible metal ductwork is used, calculate each foot of flexible metal ductwork as two feet of straight metal ductwork. Flexible metal elbows count twice as much as standard elbows.

Determine which venting method (roof-venting or wall-venting) you need to use. This microwave oven hood is equipped for ventless (recirculating) installation.

The length of the ductwork and number of elbows should be kept to a minimum to provide efficient performance. The size of ductwork should be uniform. Do Not install two elbows together. Use duct tape to seal all joints in the duct system. Use caulking to seal exterior wall or roof opening around cap. Figures 2-5 show common venting methods and types of materials needed.

Note: If the rear exhaust method is chosen, be sure that there is proper clearance within the wall for the exhaust duct.



roof cap

6" min. diameter round duct

elbow

3-1/4" to round duct transition

### Recommendation

Use 3-1/4" x 10" of the duct elbow, transition, and 3-1/4" x 10" rectangular duct. For best performance, use three 90° elbows per system you install for each duct run. See the following:

3-1/4" x 10"

3-1/4" x 10" 90° elbow



1 - 3-1/4" x 10" 90° elbow

1 - wall cap

8 feet

Length

3-1/4"

### 6" duct system

90° elbows



transition

1 - transition

2 - 90° elbows

1 - wall cap

8 feet

Length

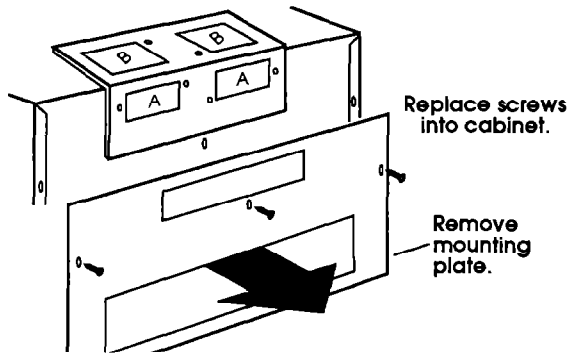
# Venting preparation

## ⚠ WARNING



### Electrical Shock Hazard

**Do not pull or stretch blower wiring.**  
**Reinsert wires into clips before reinstalling blower unit into microwave oven hood.**  
**Failure to do so could result in death or serious injury.**



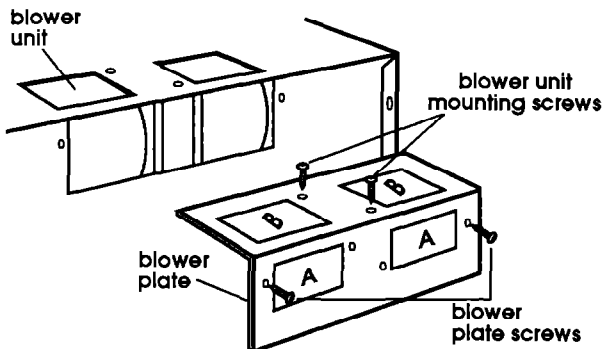
Remove three screws that attach mounting plate to microwave oven hood cabinet. Remove mounting plate and set aside. Replace screws into cabinet.

This microwave oven hood is shipped assembled for ventless (recirculating) installation. Adjustments must be made to vent the hood through the wall or through the roof. Follow the instructions for preparing your microwave oven hood for the type of venting method you need.

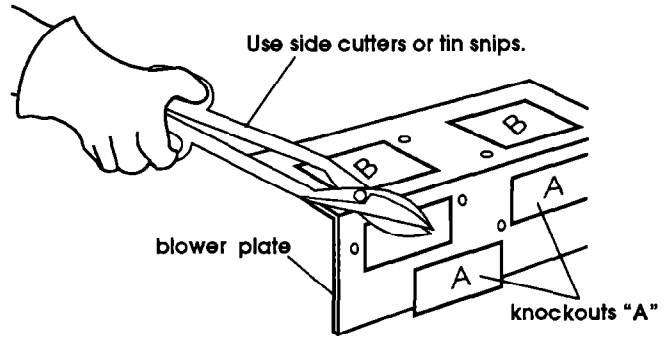
### Ventless (recirculating) installation:

Go to "Now start..."

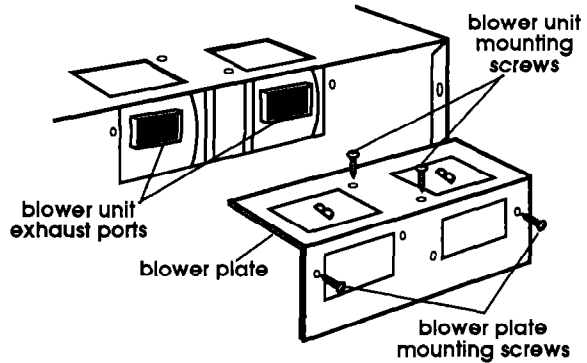
### Wall-venting installation:



- Remove two blower unit mounting screws.
- Remove two blower plate screws. Remove the blower plate from cabinet.
- Carefully pull the blower unit out of the cabinet. Remove wires from clips.

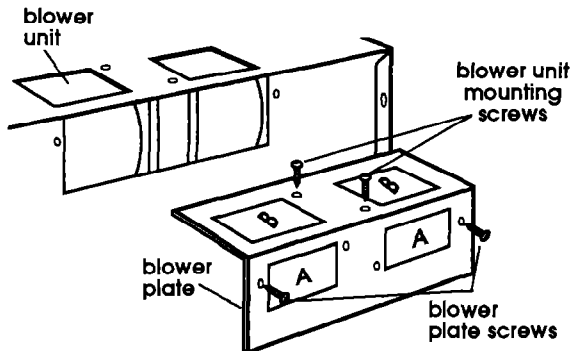


- Use side cutters or tin snips to cut and remove knockouts marked "A" from blower plate. Discard knockouts.

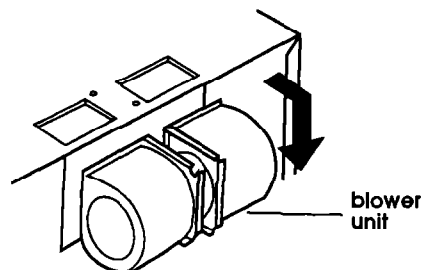


- Reattach blower plate to cabinet so exhaust ports and blower plate openings are aligned. Attach with the two blower unit mounting screws and then the two blower plate mounting screws.

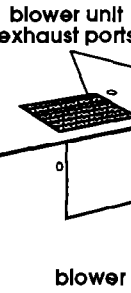
### Roof-venting installation:



- Remove two blower unit mounting screws.
- Remove two blower plate screws. Remove the blower plate from cabinet.
- Carefully pull the blower unit out of the cabinet. Do Not remove wires from clips.



- Rotate blower unit 1/4 turn (90°) so that the exhaust ports face the top of the cabinet.



g. Reattach blower unit exhaust ports and blower unit mounting screws.

## Now With micr

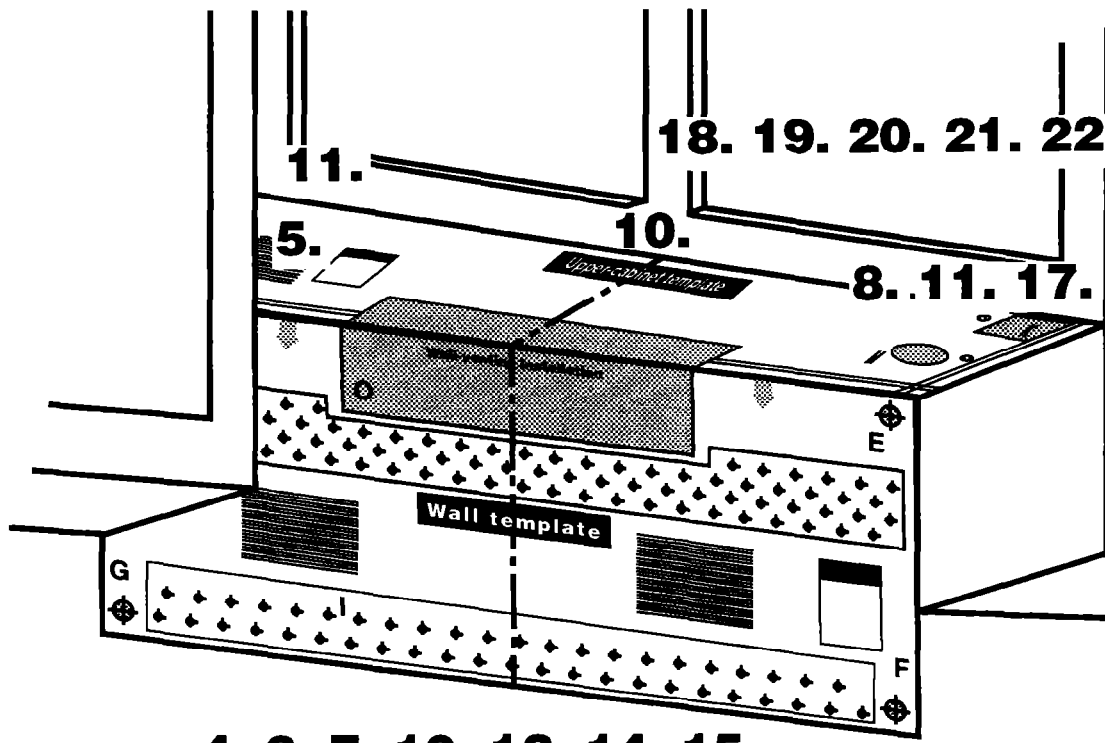
- Put Remove sh inside micr

Slide range before mov

- Disc range out provide ec and back covering o countertop and dirt.

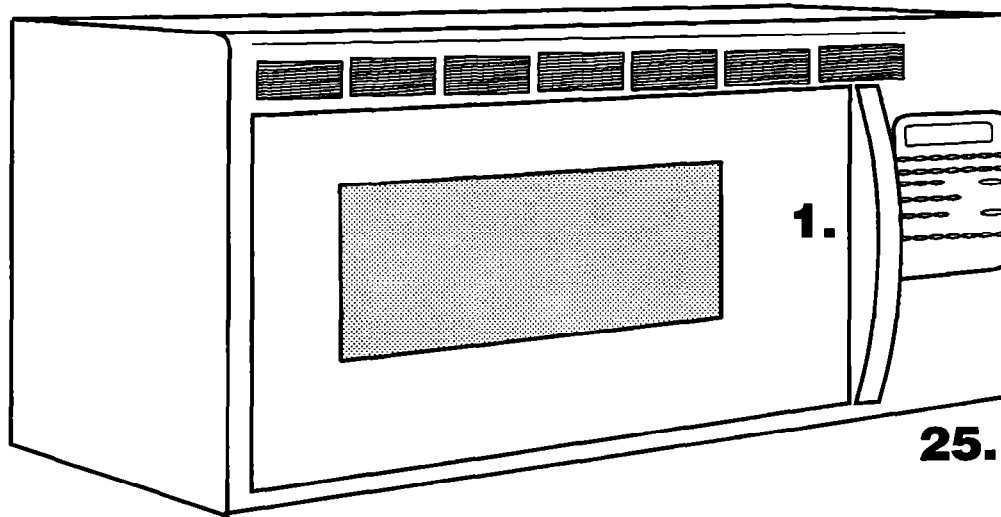
exhaust ports

2



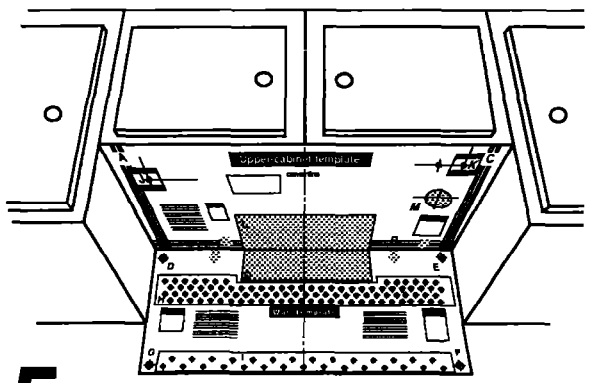
4. 6. 7. 10. 12. 14. 15.

Numbers correspond to steps.

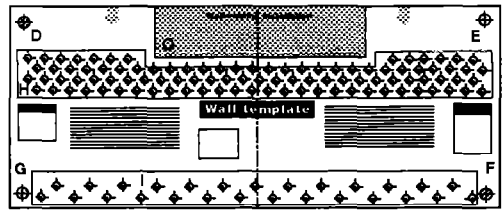


25.

25.



5. Measure the bottom of the upper cabinet frame. Trim the edges "A", "B" and "C" on the upper cabinet template so that the template will fit on the bottom of the upper cabinet. If upper cabinet has a recessed frame, trim template so that it fits inside the recessed area. Align the centerline of the upper cabinet template with the centerline of the wall template:



7. Locate the wall stud closest to the center of the areas marked "H" and "I" on the wall template. Drill 3/16" holes into the wall stud in each of the areas. If a wall stud is not located within these areas, drill 3/4" diameter holes nearest to the center of the areas as possible.

If there is not a wall stud within the areas marked "H" and "I" and not behind points marked "D", "E", "F" and "G", **DO NOT** install microwave oven hood. (Consult building inspector.)

9. Detach roof-ventilator. You may need to use a utility knife to remove the manufacturer's installation instructions for the microwave oven hood. (Consult building inspector.)

10. Step 14.

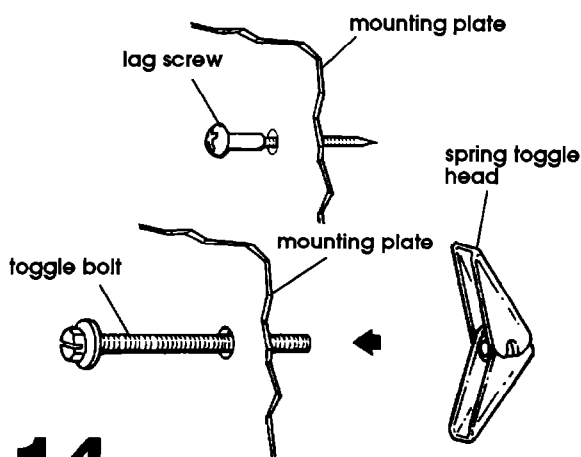
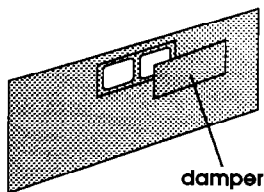
To vent through rectangular roof-ventilator, use rectangular cabinet template.

To vent through rectangular roof-ventilator, use rectangular cabinet template.

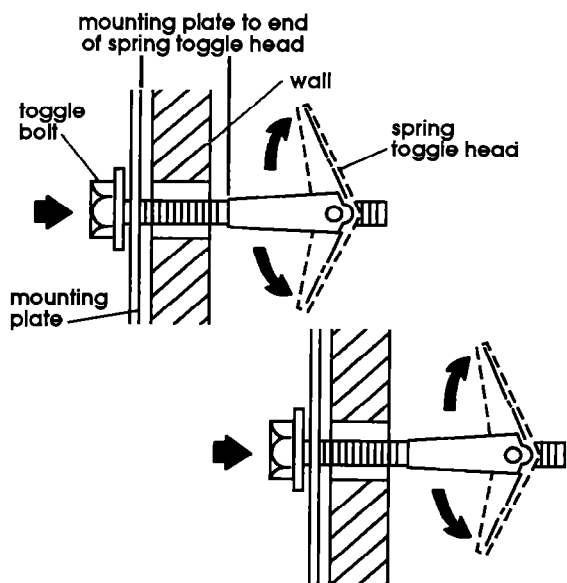
**12. Roof venting:** Do Not install ductwork at this time. Go to Step 14.

**Wall venting:** Install ductwork through the vent opening in the wall. Complete the venting system through the wall according to the method needed. See "Venting requirements" and "Venting preparation," Panels B and C. Use caulking to seal exterior wall opening around exhaust cap.

**13. If wall-venting installation is used,** attach damper to rear of mounting plate. Align 3-1/4" x 10" duct with damper and see that damper moves freely.

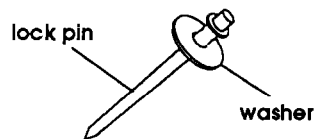


**14.** Insert lag screws (wall stud) or toggle bolts (drywall) through the holes on the mounting plate where the mounting plate will be attached to wall stud or drywall at holes "D", "E", "F", "G", "H" and "I".



Attach a spring toggle head to the end of each toggle bolt. Leave at least one wall thickness of space between the mounting plate and the end of the spring toggle head so that the spring toggle head can

**16.** Slide washer onto lock pin and set inside upper cabinet.



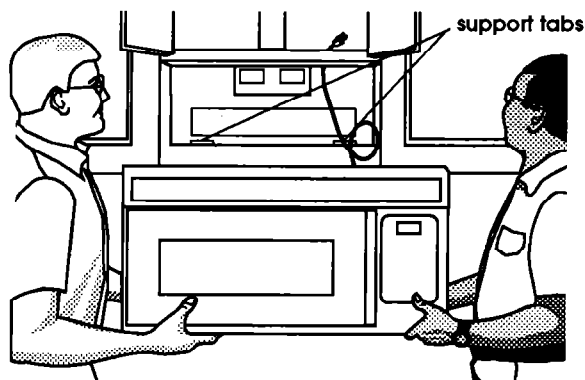
## ! WARNING

### Injury Hazard

**Two people are required to lift this microwave oven hood.**

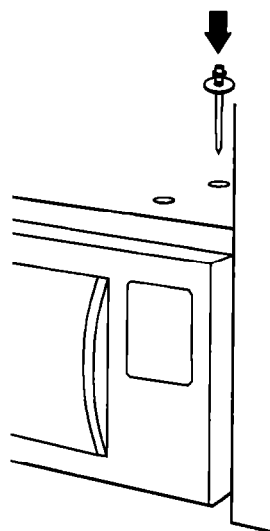
**Lift microwave oven hood and hang on support tabs on bottom of mounting plate brackets. Hold microwave oven hood in place and secure to upper cabinet with the lock pin and washer.**

**Failure to follow these instructions could result in injury.**



**17.** Carefully lift microwave oven hood and hang it on support tabs at the bottom of the mounting plate. Thread power supply cord through the power supply cord hole in the bottom of the upper cabinet.

**18.** Rotate microwave oven hood upward so that top of hood is against bottom of upper cabinet or cabinet frame.



**19.** Drop the lock pin and washer assembly into hole "N" and push pin down as far as it will go.

**21.** R...  
If wall-venti...  
go to Step 2...

**22.** R...  
the damper...  
on top of the...  
Damper sho...  
tapping scre...  
damper/du...  
oven hood.

Note: Damp...  
attached to...  
microwave

**23.** R...  
ductwork th...  
upper cabin...  
system thro...  
method nee...  
requirement...  
Panels B and...  
exterior roof

**24.** In...  
using screw...  
the cabinet...  
to bundle th...

**25.** G...  
holding the r...  
holding the c...  
the filter scre...  
opening and...  
the microwave...  
of filter scre...  
entire screen...  
microwave a...  
securely in p...

## If microwave oven does not operate...

- Check that the circuit breaker is not tripped or the house fuse blown.
- Check that the power supply cord is plugged into the wall receptacle.
- See Use and Care Guide for troubleshooting checklist.

## If you need assistance...

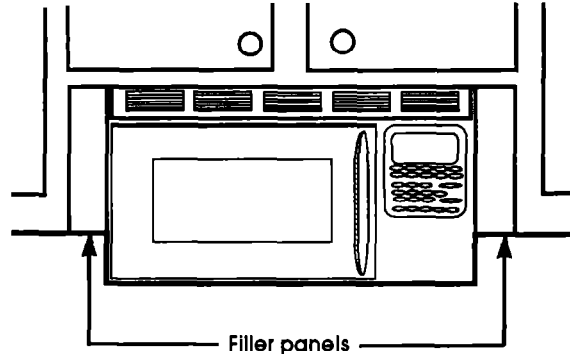
Check your Use and Care Guide for a toll-free number to call, or call the dealer from whom you purchased this appliance. The dealer is listed in the Yellow Pages of your phone directory under "Appliances - Household - Major - Service and Repair."

When you call, you will need the microwave oven hood model and serial number. Both numbers can be found on the model/serial rating plate located behind the microwave oven door on the front frame of the microwave oven.

## Accessory kits

Accessory kit no. 4378403 - Almond  
4158439 - White  
4158311 - Black

Filler panel kits are available from your dealer to use when installing this microwave oven in a 36"- or 42"- wide opening. The filler panels come in pairs and each panel is 3" wide.



### Accessory kit no. 4358523

A smoke deflector kit for some models is available from your dealer to use when installing this microwave oven hood over cooking products with grill or griddle.

See your dealer for details.