

Ultravation®

Professional Indoor Air Quality Products

PHOTRONIC AIR HANDLER SUPPORT SYSTEM MEDIA AIR CLEANER Complete Whole House Air Cleaning System OWNERS GUIDE



**Models: 92-010, 92-011, 92-012 (small) 24VAC- 92-133, 92-134, 92-135
Models: 92-013, 92-014, 92-015 (large) 24VAC- 92-136, 92-137, 92-138**

Table of Contents:

Page 2- Shipping and Packaging list, Introduction and Application, Safety Precautions, Power Consumption,
Page 3- Installation Requirements, Installation of Electric Power Supply
Page 4- Germicidal Lamp Installation
Page 5- Maintenance, Replacing Filter
Page 6- Setting the Lamp Status Indicator, Replacing Photocatalytic Lamps, Replacing Germicidal Lamps
Page 7- Troubleshooting, Setting Indicator Light
Page 8- Applications with Humidifiers, Air Conditioners, Setting Indicator Light
Page 9- Warranty, Replacement Part Numbers
Page 10- PCO Screen Installation Instructions

LEAVE FOR HOMEOWNER

Shipping and Packaging List:

- Filter Housing including Access Doors
- MERV-11 Media Air Filter
- PCO Filter
- Electrical Enclosure
- 1- Door Handle
- 1- UVA Lamp
- 4- 3/4 inch 5/16 self tapping sheet metal screws
- *2- UVC Lamps:
 - 12" UVC lamp option
 - OR
 - 17" UVC lamp option
- *4- 1 inch UVC lamp mounting screws
- *8- 1/2 inch 5/16 self tapping screws
- *2- UVC Lamp Mounting Plates
- *1- Plastic view port
- **100VA 24v secondary transformer

* Included when UVC option is purchased

** Includes 24v unit in purchase

Introduction and Applications:

This Ultravation Photronic Air Handler Support Box Media Air Cleaner is a complete whole house air cleaning system. This high efficiency air filtration unit is designed to remove dirt, dust, pollen, microscopic particles, reduce unpleasant odors, VOC gases and the microbial population from the air that circulates through it. By adding this device to your HVAC system, you are helping to create a cleaner indoor living environment for your whole household.

The system works in 1-3 steps (depending on model purchased, 92-010 and 92-013 do not include the germicidal protection in step 3)

STEP 1: Trapping particles in the pleats of the MERV 11 media filter. With an extra large surface area, the filter allows for maximum dirt holding capacity and a long, useful filter life with minimum air flow restriction.

STEP 2: VOC's and gases such as the fumes from new carpets, paints, nail polish, cigar and cigarette smoke are drastically reduced photo chemically via a patented process known as photo catalytic conversion or photo catalytic oxidation.

STEP 3: In models 92-011, 92-012, 92-014, 92-015, 92-134, 92-135, 92-137, 92-138 Germicidal UVC light is applied to the Air and problematic HVAC components to drastically reduce unwanted Virus, Bacteria and Mold.

This air cleaner is to be installed in a forced air heating, cooling and ventilation system. It should be installed so that all the system's air is circulated through the filter first and VOC Section second. The air cleaner will only filter the air that is circulated through it. For maximum filtration effect, set your blower to operate continuously.

Safety Precautions:

It is recommended that this unit be installed and maintained by a trained technician:

WARNING: UV Hazard. Always protect eyes from ultraviolet light. NEVER look at UV lamps in operation. Unplug or disconnect power before re-lamping or servicing.

WARNING: Severe eye damage or temporary blinding may occur.

WARNING: DO NOT operate Lamp outside of Air Handler. Mount lamp base to duct first.

WARNING: No openings in duct are allowed which would give direct line-of-sight to the UV light.

In the event of accidental breakage or replacement of the ultraviolet lamp, please ensure that the lamp is disposed of in accordance with local and state environmental laws regarding fluorescent lamps containing mercury.

Notice:

All wiring inside of the duct or air handling system in direct line of site of the UV lamp must be shielded with aluminum foil tape or equivalent non-combustible material. When installing this unit, select a mounting location that prevents ultraviolet light exposure to plastic flexible duct liner or other plastic components with unknown resistance to ultraviolet light. Ultraviolet light may cause color shift or structural degradation of plastic HVAC components

Power Consumption UV-A, UV-C lamps

<u>Lamp Type</u>	<u>Quantity Required</u>
16-inch UVA lamp is 36 watts	1
12-inch UVC lamp is 12 watts each	2
17-inch UVC lamp is 22 watts each	2

Note: Handle fits either door. A Phillips screw driver will be required to install the handle. Handle holes are behind the label on either door, depending on the orientation of the installation.

Installation Requirements

This unit is designed to power up constantly and should not cycle on and off with a blower motor.

The desired location for installation of the Ultravation Support System Media Air Cleaner is in the return air under the blower compartment. In this location, the blower motor and internal components will be kept clean.

By installing the air cleaner in this location (upstream from the cooling coils) you also will assure that the cooling coils of the air conditioning system will be kept clean. This increases coil life, improves system efficiency, and reduces maintenance costs.

Once the Ultravation Support System Media Air Cleaner is installed, it is very important to maintain the unit by changing the filter periodically (typically in 6 mo intervals) so there is no obstructed airflow, damage components or increase energy costs.

The Ultravation Support System Media Air Cleaner has been designed for use in conjunction with virtually any HVAC system.

The inlet duct opening of units 92-010, 92-011, and 92-012, 92-133, 92-134, 92-135 are adjustable for either an 8" x 24" duct, or 10" x 24" duct.

The inlet duct opening of units 92-013, 92-014, and 92-015, 92-136, 92-137, 92-138 are adjustable for either a 10" x 24" duct, or 12" x 24" duct. Just remove the three sheet metal screws on the top, adjust the flange, and reattach.

Do not install this unit in the supply duct.

Be sure to plan adequate space for filter replacement.

Before installation is complete, seal all joints and seams with duct tape or caulking.

Notice:

All wiring inside of the duct or air handling system in direct line of site of the UVC lamp must be shielded with aluminum foil or equivalent non-combustible material. When installing this unit, select a mounting location that prevents ultraviolet light exposure to plastic flexible duct liner or other plastic components with unknown resistance to ultraviolet light. Ultraviolet light may cause color shift or structural degradation of plastic HVAC components.

Be sure to plan adequate space for filter replacement.

Before installation is complete, seal all joints and seams with duct tape or caulking.

Installation of Electronic Power Supply:

The Ultravation Photronic Air Handler Support Media Air Cleaner unit is designed to accommodate airflow from either left to right or right to left installations.

1. Determine the desired airflow path for installation.
2. Be sure to follow the airflow indicator labels when installing the media filter.
3. Remove the 2 cover screws on the electrical box
4. Install the twin tube (white in color) photo catalytic lamp. When installed it is parallel to the aluminum Mesh filter.
5. The photo catalytic lamp clips into the socket with diagonal pressure then seat back into place.
6. See instructions on setting the indicator light on models 92-011, 92-012, 92-013 and 92-015(page 6).
7. Reinstall the electrical cover.

* When the 24VAC power supply unit is purchased it comes with a 100VA 24VAC secondary transformer to be dedicated to the Ultravation equipment.

Installation steps:

1. Determine a suitable location to install the UV-C Lamps.
2. Select a location for the remote UV lamp module assembly. Drill a 1" diameter hole for each lamp assembly. Attach lamp module assembly with 2 screws at the chosen location, or an optional lamp mounting plate, which has been supplied to mount the lamp assembly.

Note: The T3 UV lamp assembly can be removed independently, simply by removing the 2 screws in the white lamp holder.

3. Plug the rubber lamp connector fully onto the installed

Maintenance:

The filter media in your air cleaner must be changed periodically. The frequency of filter replacement is best determined by visual examination. However, a bi-annual replacement of the 5" filter and 30 days for the 1" filter is strongly recommended. Replacement filters may be obtained through your installing contractor or local dealer. - Actual replacement may vary depending on the severity of dust and dirt particles.

If the Photocatalytic aluminum filter should become dirty, it may be cleaned with low velocity compressed air or vacuum only, no solvents or water should be used. If the Photocatalytic section becomes wet, allow the section to air dry before reinstallation.

The aluminum mesh screen on the Photocatalytic filter is coated using a patented process known to photochemically breakdown VOC's and Odors as well as reduce airborne pathogens on contact. Under normal operating conditions this filter should last up to 10 years.

The Air cleaner should never be run with less than a MERV-11* Filter.

Using less than a MERV-11* Filter rating will reduce the effectiveness of this product. It is recommended that this product be serviced and maintained by an HVAC professional.

*MERV or Minimum efficiency rating value is a number assigned to filters indicating their ability to capture particles and dust, the higher the number the better the filter. A MERV 11 filter is 40% more effective than a MERV-8. Be sure that an Ultravation MERV-11 filter is requested for replacements in this product.

Steps for replacing filters:

Pleated Media Filter:

1. Open the access door by lifting up on the handle and pulling the bottom of the door toward you. Then slide the top of door down, removing the door completely.
2. Pull out pleated filter and discard.
3. Slide new pleated filter into cabinet with "airflow label pointing in the direction of the airflow. Be sure to seat new filter into top and bottom brackets to assure a good seal.
4. Replace access door.

Note: a gasket is provided to seal between the opening on the side of the filtration cabinet and the side of the air handler.

Aluminum PCO Filter:

Follow steps 1 and 2 above.

3. Please see attached PCO screen Installation Instructions

Lamp Status Indicator Light(s):

UVA Lamp:

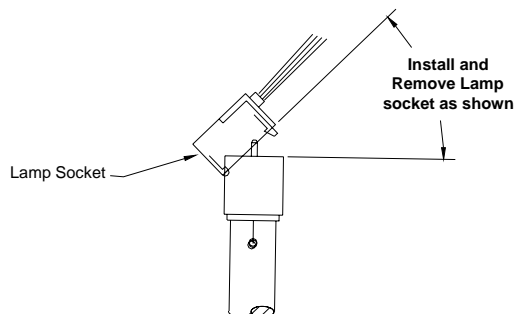
There is a round knockout in the filter access door that needs to be knocked out and the included round view port needs to be inserted into the hole.

When the unit is on, if light is detectable through the view port then the UVA lamp is working.



Steps for replacing Photocatalytic lamp:

1. Turn the systems power off.
2. Remove the screw(s) from the top of the electronics cabinet.
3. Remove the cover; withdraw the lamp and connector assembly (assembly does not fully remove.)
4. The connector snaps off from the lamps by applying upwards pressure on side where the wires are located.
5. Reverse the process with a new lamp.



Steps for replacing UVC lamps

UVC Lamps:

The UVA and the UVC Lamps should be replaced at 2 years of operation, or when indicated by the service monitor located on the Photronic cabinet. Once the indicator is set it will begin counting 9000 hours (approx. 1 year) of operation. After 9000 hrs of operation it will signal that it is time to reset the counter back to 0 and begin counting the next 9000 hours.

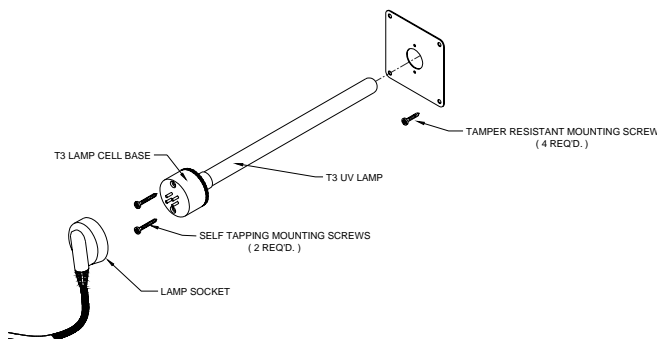
NOTE: 24VAC Power supply units do not have lamp monitoring, please skip to next step.

On startup of the equipment:

1. Depress square yellow RESET button (hold down for 10 sec.) on circuit board, the LED should turn Green while the button is depressed.
2. Release the square yellow RESET button.
3. You now have set the internal clock to zero insuring an accurate measurement of lamp life operating hours.

NOTE: When replacing lamps repeat steps above to set the clock back to 0 to begin counting the operating hours of the new lamp.

1. Turn the systems power off.
2. Locate the remote lamp assembly, and remove the rubber boot.
3. Remove the 2 screws from the plastic lamp base.
4. Withdraw the UVC lamp assembly from the mounting location.
5. Reverse the process with new lamps. **(New lamps should be cleaned with a damp cloth or with rubbing alcohol to remove any fingerprints and debris prior to installation.)**



Be sure to recycle the used lamps in accordance with your local codes for fluorescent lamps. If you are not sure on how to recycle the lamps please call the Ultravation customer service line at 866-468-8247.

Troubleshooting:

Important information: It is a normal characteristic of all UV lamps to blacken around the filaments (ends) of the lamp. This does not signify the lamp is defective or not emitting Ultraviolet light.

The only time a UV lamp is defective is if it will not light. UV Lamps that illuminate will not qualify for Warranty.

Check for any loose or disconnected wiring

Lamps are securely plugged into their sockets

Verify the unit has power (120-277 volts) and the Power switch is in the ON position

* 24VAC Power supply units--- check input and output to transformer

The electronic circuit of a 3-lamp system only operates when both lamps are operating.

Verify 5 amp fuse is not blown by performing a continuity test of the fuse.

Verify what signal if any the UV Lamp Monitor LED is emitting. (See below).

NOTE: 24VAC Power supply units do not have lamp monitoring, please skip to next step.

Verify if in fact the UV lamps are on or off. **Do not look at the UV light without proper eye protection.**

Note: A pulsing red every 1 seconds and a beep every 1 seconds does not necessarily mean the lamps are defective or no longer emitting UV; it is sensing the lamp(s) in the unit **are not on**. This could be caused by other factors.

In this case a service technician should be contacted.

Please contact your local dealer or HVAC contractor for replacement lamps.

There are **NO** user serviceable replacement parts other than the lamps.

Refer servicing to qualified service personnel.

UV-C, Lamp Status Monitor (if equipped):

LED Color	Audible Alarm	Unit Status
Green	No audible	OK
Solid Red	No Audible	Reset lamp service indicator or replace lamp within 30 days, occurs at approx. 11 months of operation
Pulsing Red (Every 5 seconds)	Beep every 60 Minutes	Lamp has exceeded 1 year of operation reset or replace lamps
Flashing Red (Every 1 second)	Beep every 1 second	UV lamp(s) are not lit. See note below.

Note: A flashing red every second and a beep every second does not necessarily mean the lamps are defective or no longer emitting UV, it is sensing the lamp(s) in the unit **are not on**. This could be caused by other factors.

In this case a service technician should be contacted.

Please contact your local dealer or HVAC contractor for replacement lamps. There are **NO** user serviceable replacement parts other than the lamp.

Refer servicing to qualified service personnel.

Service Indicator Light:

NOTE: 24VAC Power supply units do not have lamp monitoring, please skip to next step.

The Photronic Series incorporates an audible and visual annual service reminder indicator. A lamp status monitor on the cover provides a visual LED signal (solid GREEN) when the unit is operating correctly. Other situations are covered on the chart on page 7.

(See UV lamp monitor chart- see page 7)

To set the service indicator Light: It is recommended that a certified technician perform this operation.

1. To set or reset the annual service indicator the unit must have power to it.
2. Remove the cover from the unit.
3. Press down and hold the square yellow **RESET** button (hold down for 10 sec.) on circuit board (located adjacent to the LED on the circuit board), **the LED** should turn **GREEN** while the button is depressed.
4. Release the square yellow **RESET** button.
5. Replace the cover, and inspect operation. LED should be Green.

UV Lamp replacement:

NOTE: When replacing lamps after 1 year or 2 years of operation disconnect power to the unit first. After the lamps are in place, complete steps 1-5 to set the service indicator to 0.

For optimum 24/7 air stream disinfection it is recommend the UV-C lamp is replaced on an annual basis.

Application with a Humidifier:

The Media Air Cleaner is compatible with humidifiers. Avoid applications where water mist will reach the filter media. When an evaporative type humidifier is used, it may be installed between the furnace warm air duct and the return air duct without affecting the air cleaner. Atomizing and spray type humidifiers should be installed with at least 6 feet between the Air cleaner and humidifier.

Air Conditioning:

The filter cabinet should be installed upstream of the cooling coil. This will keep the coil clean and reduce air conditioning coil maintenance. Improved cooling efficiency is the result, which directly affects energy costs.

Failure to replace media filter can cause damage to the cooling system.

Note:

This Photronic System and the UV-C lamps are designed to operate constantly and should not cycle on and off with a blower motor. Installation of the UVC lamps in a return air duct is acceptable. It is recommended a trained technician install this unit. Never look at the UV lights without proper eye protection.

Warranty:

Ultravation warrants this product against any defects in material or workmanship for a period of 10 years after date of purchase, with the exception of the disposable media filter, the UV Lamps, the fuse, the ductwork and installation. The UV lamps are warranted for a period of 1 year.

This warranty does not include damage to the unit from accident, misuse or improper installation. If this product should become defective during the warranty period, Ultravation will repair or elect to replace the product free of charge. Ultravation will return repaired or replaced warranted products pre-paid, provided that the product was delivered pre-paid.

Ultravation shall have no responsibilities for charges incurred by the customer for installation or removal of warranted items. Liability is limited only to the replacement or repair of this product.

This warranty gives you specific legal rights, and you may also have other rights, which vary from state to state. All returns must be accompanied by a return authorization number, which may be obtained by contacting Ultravation, Inc.

Ultravation, Inc. ~ P.O. Box 234 ~ 218 Jones Drive ~ Brandon, Vermont 05733
Phone: 802-247-0034 ~ Fax: 802-247-0033 ~ www.ultravation.com

Replacement Parts:

20" x 25" x 5" MERV 11 Filter p/n: **91-006**

16" x 25" x 5" MERV 11 Filter p/n: **91-005**

14" x 27" x 1/2" PCO Filter p/n: **91-033**

20" x 27" x 1/2" PCO Filter p/n: **91-035**

Photo Catalytic UV-A Lamps p/n: **LP-PP-0052**

12" UV-C Lamps (if equipped) p/n: **AS-IH-1001**

17" UV-C Lamps (if equipped) p/n: **AS-IH-1003**

5 Amp Fuse p/n: **EL-PP-0044**

(See Serial Number Label on inside of equipment door for unit replacement part numbers)