

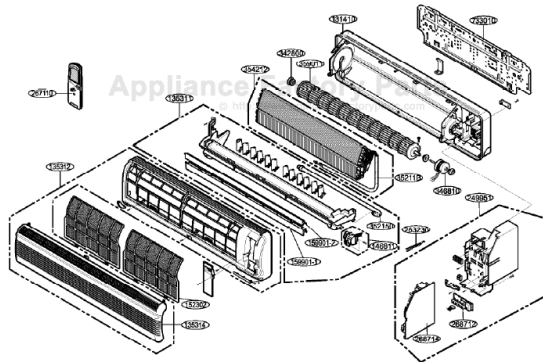
This Owner's Manual is provided and hosted by [Appliance Factory Parts](#).



LG HMH024WAE/WAC Owner's Manual

[Shop genuine replacement parts for LG
HMH024WAE/WAC](#)

1. Indoor Unit



[Find Your LG Air Conditioner Parts - Select From 2328 Models](#)

----- Manual continues below -----

Product Specifications (18K models)

Item	Unit	Model Name	LS-D1821CL LS-D1821CM LS-D1821CD	LS-D1822CL LS-D1822CM LS-D1822CD	LS-D1862CL LS-D1862CM LS-D1862CD (LS-D1863CL) (LS-D1863CM) (LS-D1863CD)	LS-D1862HL LS-D1862HM LS-D1862HD (LS-D1863HL) (LS-D1863HM) (LS-D1863HD)
Cooling Capacity	BTU/h(kcal/h)	18,000(4,536)				
	W	5,274				
Heating Capacity	BTU/h(kcal/h)	-	-	-	18,500(4,662)	
	W	-	-	-	5,421	
Moisture Removal	g/h	2.5				
Power Source	∅, V, Hz	1∅, 220V, 60Hz			1∅, 220-240V, 50Hz	1∅, 220-240V, 50Hz
Air Circulation	Indoor	m³/min	12			
	Outdoor		42			
Noise Level	Indoor	dB(A)	45±3	41±3	45±3	45±3
	Outdoor		55±3	54±3	55±3	55±3
Input	Cooling	W	1,940	1,670	1,950	1,860
	Heating		-	-	-	1,950
Running Current	Cooling	A	9.2	8.4	9.3	8.8
	Heating		-	-	-	9.2
Starting Current	Cooling	A	40	45	55	52
	Heating		-	-	-	52
E.E.R.	Cooling	BTU/h-W	9.2	10.8	9.23	9.68
C.O.P	Heating	W/W	-	-	-	2.78
Motor Output	Indoor	W	20			
	Outdoor		62			
Dimensions (W x H x D)	Indoor	mm	1,080 x 290 x 183			
	Outdoor		801 x 555 x 262	870 x 655 x 320		
Net. Weight	Indoor	kg	12			
	Outdoor		55	62	60	62
Refrigerant(R-22)	g	985	1,410	900	1,270	
Airflow Direction Control (Up & Down)	YES					
Airflow Direction Control (Right & Left)	NO	NO	NO	NO	NO	NO
Negative Ion	NO	NO	NO	NO	NO	NO
Air Purifying Filter	NO	NO	NO	NO	NO	NO
Deicer	NO	NO	NO	NO	NO	YES
Hot Start	NO	NO	NO	NO	NO	YES
Chaos Wind or Auto Wind	YES					
Micom Dry	YES					
Timer	24hr ON/OFF					
Self Diagnosis	YES					
Remocon type	L.C.D Wireless					
Service valve	Liquid	1/4"(6.35)				
	Gas	1/2"(12.7)				
Sleeping Operation	YES					
Drain Hose	YES					
Connecting Cable	1.5(2.5)mm²					
Power Cord	1.5(2.5)mm²					

Product Specifications (24K, 26K, 28K models)

Item	Unit	Model Name	LS-D2422CL LS-D2422CM LS-D2422CD	LS-D2663CL LS-D2663CM LS-D2663CD	LS-D2462CL LS-D2462CM LS-D2462CD
Cooling Capacity	BTU/h(kcal/h)		2,400(6,048)	26,000(6,552)	24,000(6,048)
	W		7,032	7,618	7,032
Heating Capacity	BTU/h(kcal/h)		-	-	-
	W		-	-	-
Moisture Removal	g/h		3.1		
Power Source	Ø, V, Hz		1Ø, 220V, 60Hz	1Ø, 220-240V, 50Hz	
Air Circulation	Indoor	m³/min	15	16	
	Outdoor		42		
Noise Level	Indoor	dB(A)	48±2		
	Outdoor		57±3		
Input	Cooling	W	2,630	2,400	
	Heating		-	-	-
Running Current	Cooling	A	12.2	11.5	
	Heating		-	-	-
Starting Current	Cooling	A	54	57	
	Heating		-	-	-
E.E.R.	Cooling	BTU/h-W	9.1	10.8	10
C.O.P	Heating	W/W	-	-	-
Motor Output	Indoor	W	Max. 45(BLDC MOTOR)		
	Outdoor		62		
Dimensions (W x H x D)	Indoor	mm	1,080 x 290 x 183		
	Outdoor		870 x 655 x 320		
Net. Weight	Indoor	kg	12		
	Outdoor		64		
Refrigerant(R-22)	g		1,750	2,000	
Airflow Direction Control (Up & Down)			YES		
Airflow Direction Control (Right & Left)			NO	YES	NO
Negative Ion			NO	YES	YES
Air Purifying Filter			NO	OPTION	NO
Deicer			NO		
Hot Start			NO		
Chaos Wind or Auto Wind			YES		
Micom Dry			YES		
Timer			24hr ON/OFF		
Self Diagnosis			YES		
Remocon type			L.C.D Wireless		
Service valve	Liquid		1/4"(6.35)		
	Gas		5/8"(15.88)		
Sleeping Operation			YES		
Drain Hose			YES		
Connecting Cable			0.75mm²		
Power Cord			1.5(2.5)mm²		

Product Specifications

Item	Unit	Model Name	LS-D2822CL LS-D2822CM LS-D2822CD	LS-D2422HL LS-D2422HM LS-D2422HD	LS-D2462HL LS-D2462HM LS-D2462HD	LS-D2663HL LS-D2663HM LS-D2663HD
		Cooling Capacity	BTU/h(kcal/h) W		2,800(7,056) 8,204	24,000(6,048) 7,032
Heating Capacity	BTU/h(kcal/h) W		- -	24,000(6,048) 7,032	24,000(6,048) 7,032	26,000(6,552) 7,618
Moisture Removal	l/h		3.5	3.1	3.1	3.1
Power Source	Ø, V, Hz		1Ø, 220V, 60Hz		1Ø, 220-240V, 50Hz	
Air Circulation	Indoor	m³/min	18	15	16	16
	Outdoor		49	42	42	42
Noise Level	Indoor	dB(A)	49±2	48±2	48±2	48±2
	Outdoor		59±3	57±2	57±3	57±3
Input	Cooling	W	3,200	2,630	2,400	2,400
	Heating		-	2,630	2,400	2,400
Runnig Current	Cooling	A	14.5	12.2	11.5	11.5
	Heating		-	12.2	11.5	11.5
Starting Current	Cooling	A	60	54	57	57
	Heating		-	54	57	57
E.E.R.	Cooling	BTU/h-W	8.75	9.1	10	10.8
C.O.P	Heating	W/W	-	2.67	2.93	3.17
Motor Output	Indoor	W	Max. 45(BLDC MOTOR)			
	Outdoor		103	62	62	62
Dimensions (W x H x D)	Indoor	mm	1,080 x 290 x 183			
	Outdoor		870 x 655 x 320			
Net. Weight	Indoor	kg	12			
	Outdoor		66	62	65	
Refrigerant(R-22)	g		1,740	1,590	1,630	1,630
Airflow Direction Control (Up & Down)	YES					
Airflow Direction Control (Right & Left)	NO	NO	NO	NO	YES	YES
Negative Ion	NO	NO	NO	NO	YES	YES
Air Purifying Filter	NO	NO	NO	NO	OPTION	OPTION
Deicer	NO	NO	NO	YES	YES	YES
Hot Start	NO	NO	NO	YES	YES	YES
Chaos Wind or Auto Wind	YES					
Micom Dry	YES					
Timer	24hr ON/OFF					
Self Diagnosis	YES					
Remocon type	L.C.D Wireless					
Service valve	Liquid	3/8"(9.52)	1/4"(6.35)			
	Gas	5/8"(15.88)				
Sleeping Operation	YES					
Drain Hose	YES					
Connecting Cable	0.75mm²					
Power Cord	1.5(2.5)mm²					