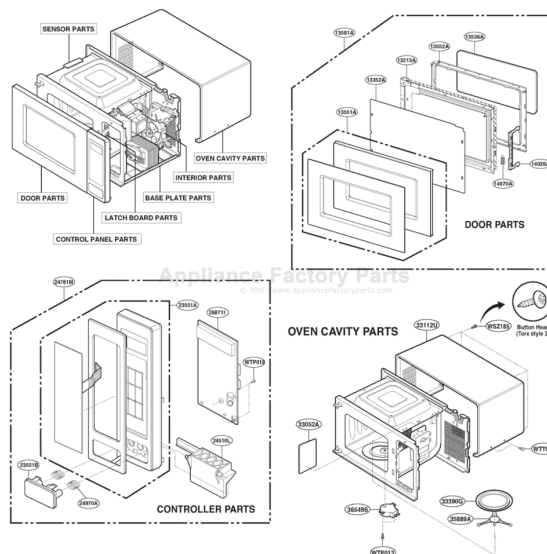


This Owner's Manual is provided and hosted by [Appliance Factory Parts](http://Appliance Factory Parts).



# KITCHENAID KCMS2055SSS Owner's Manual

[Shop genuine replacement parts for KITCHENAID  
KCMS2055SSS](#)



[Find Your KITCHENAID Microwave Parts - Select From 105 Models](#)

----- Manual continues below -----

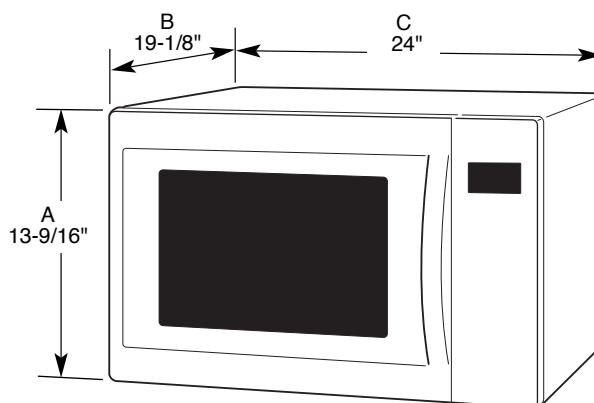
# KitchenAid<sup>®</sup> Countertop Microwave Ovens

## PRODUCT MODEL NUMBERS

KCMS2055S

**Electrical:** A 120-volt, 60 Hz, AC-only, 15 or 20 amp fused electrical supply with a fuse or circuit breaker is required. It is recommended that a separate circuit serving only this appliance be provided.

## OVERALL DIMENSIONS



Height (A)	13-9/16"
Depth (B)	19-1/8"
Width (C)	24"

**NOTE:** Microwave oven can be built into a wall or cabinet over approved electric single ovens only using approved trim kits. See dealer for details.

**NOTE:** Do not block the exhaust vents or air intake openings. Allow a few inches of space at the back and side of the oven where the exhaust vents are located. Blocking the exhaust vents could cause damage to the oven and poor cooking results.