

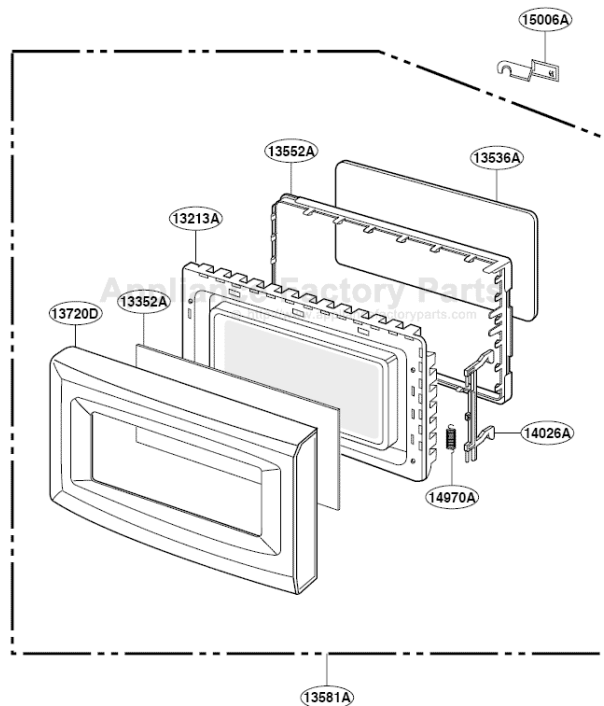
This Owner's Manual is provided and hosted by [Appliance Factory Parts](#).



GE JE1360WC Owner's Manual

[Shop genuine replacement parts for GE JE1360WC](#)

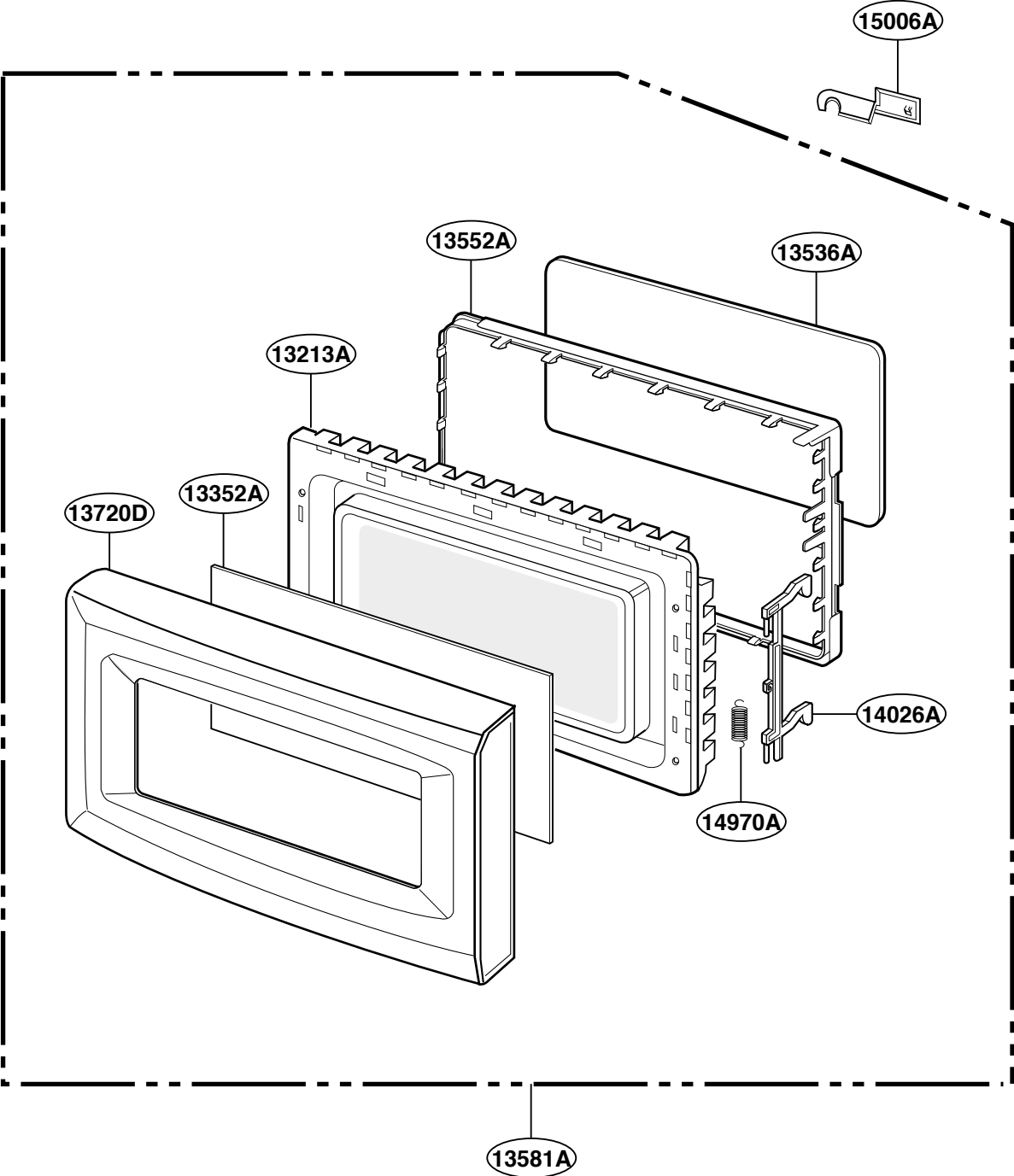
DOOR PARTS



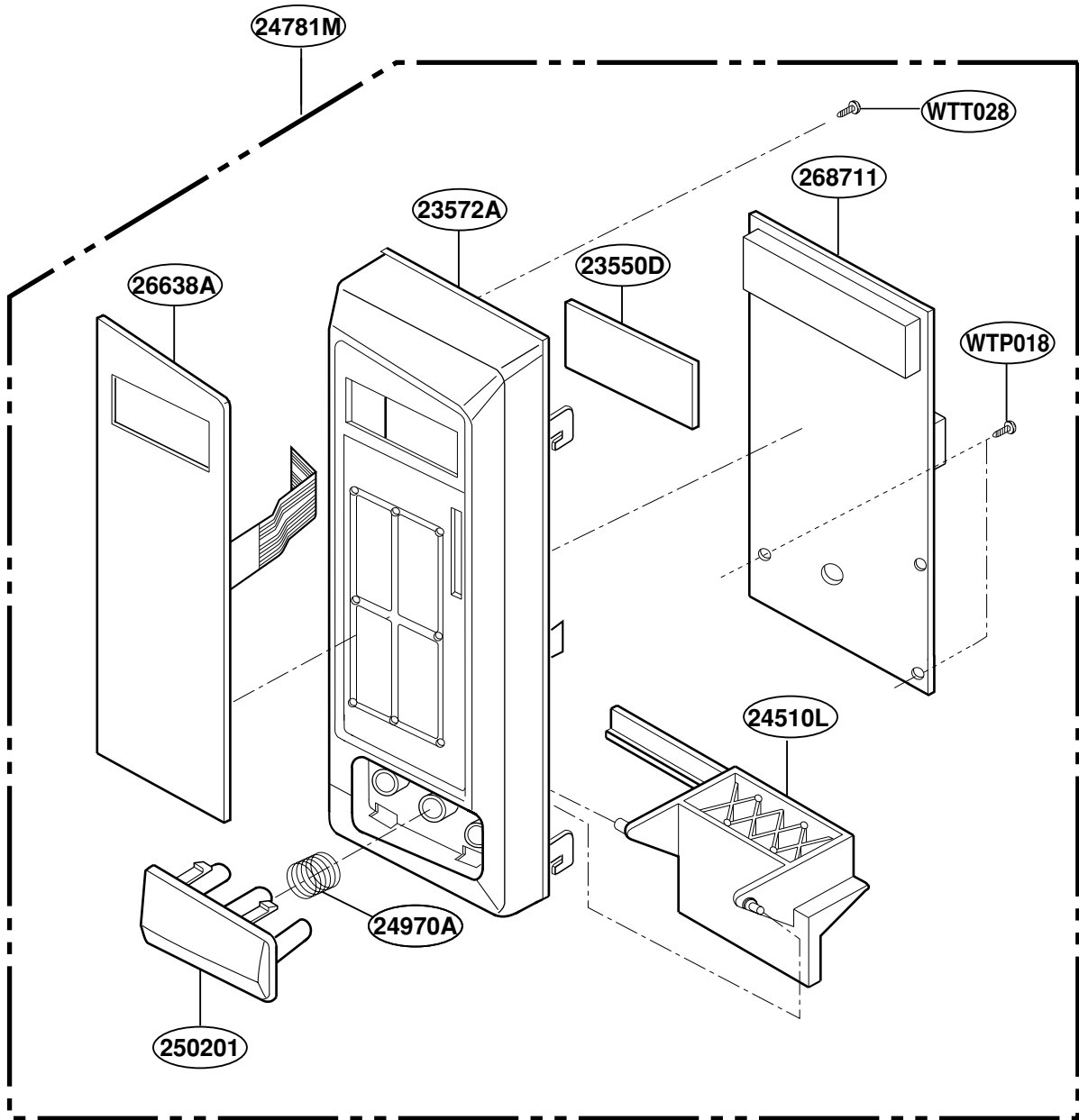
[Find Your GE Microwave Parts - Select From 3055 Models](#)

----- Manual continues below -----

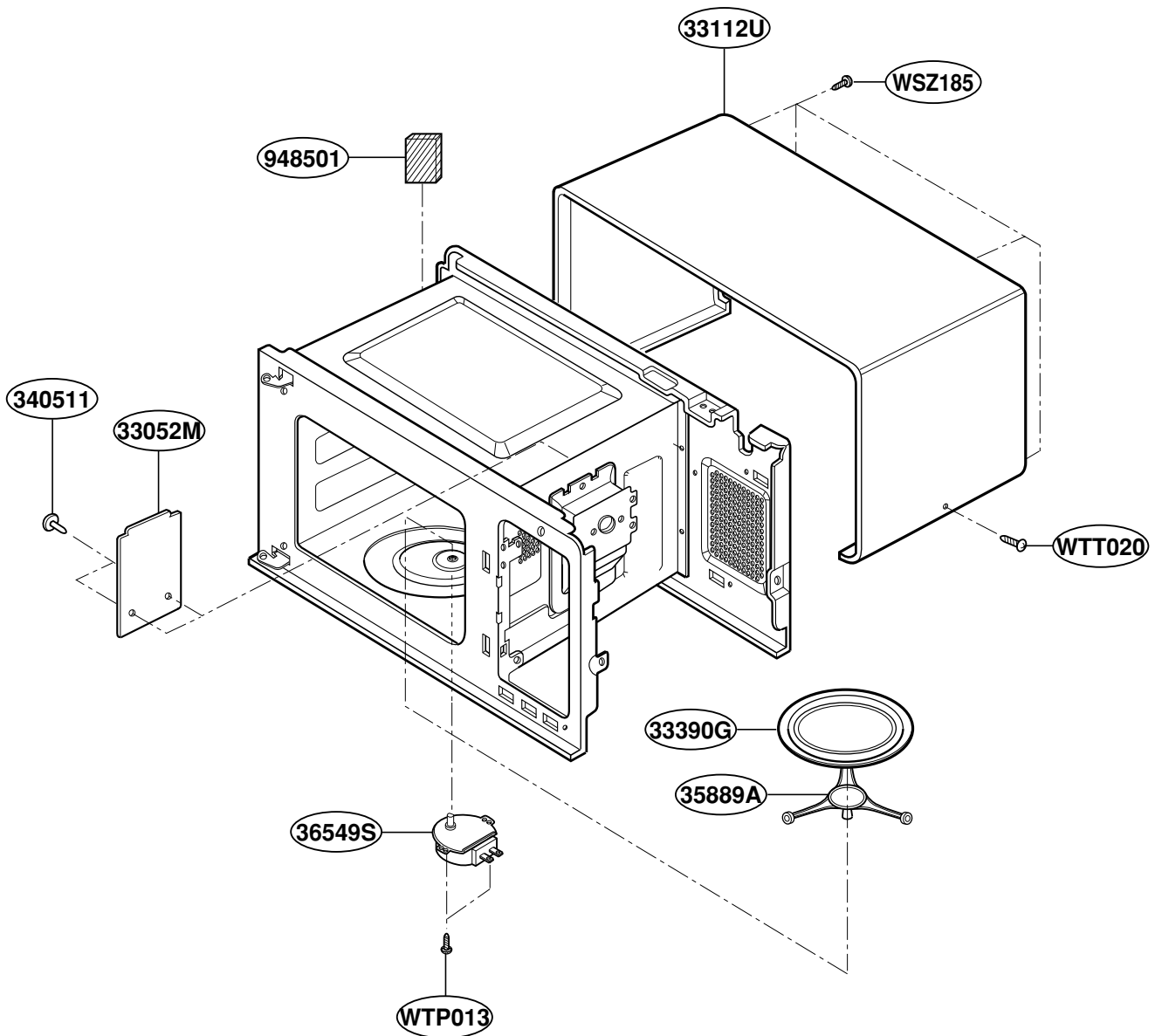
DOOR PARTS



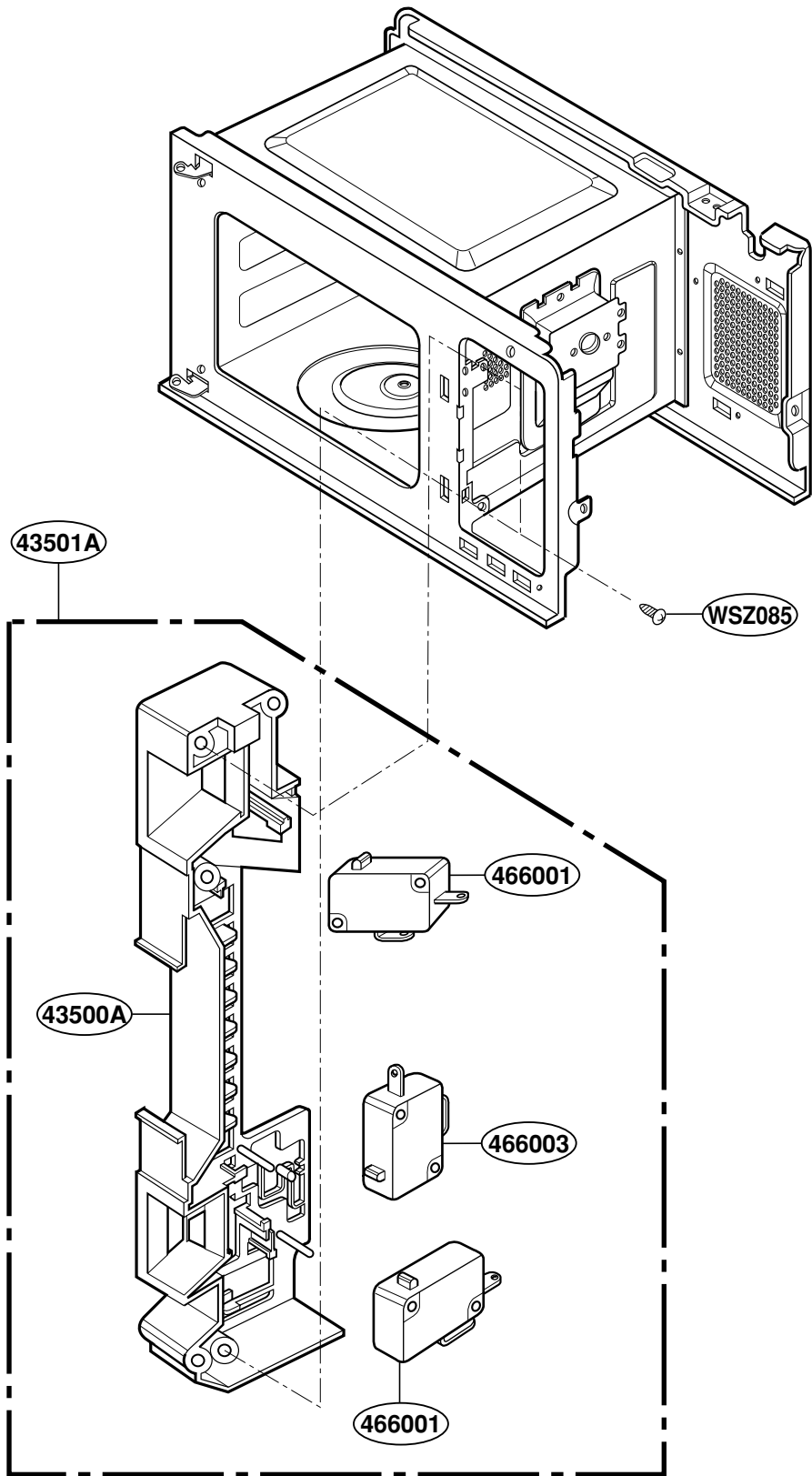
CONTROL PANEL PARTS



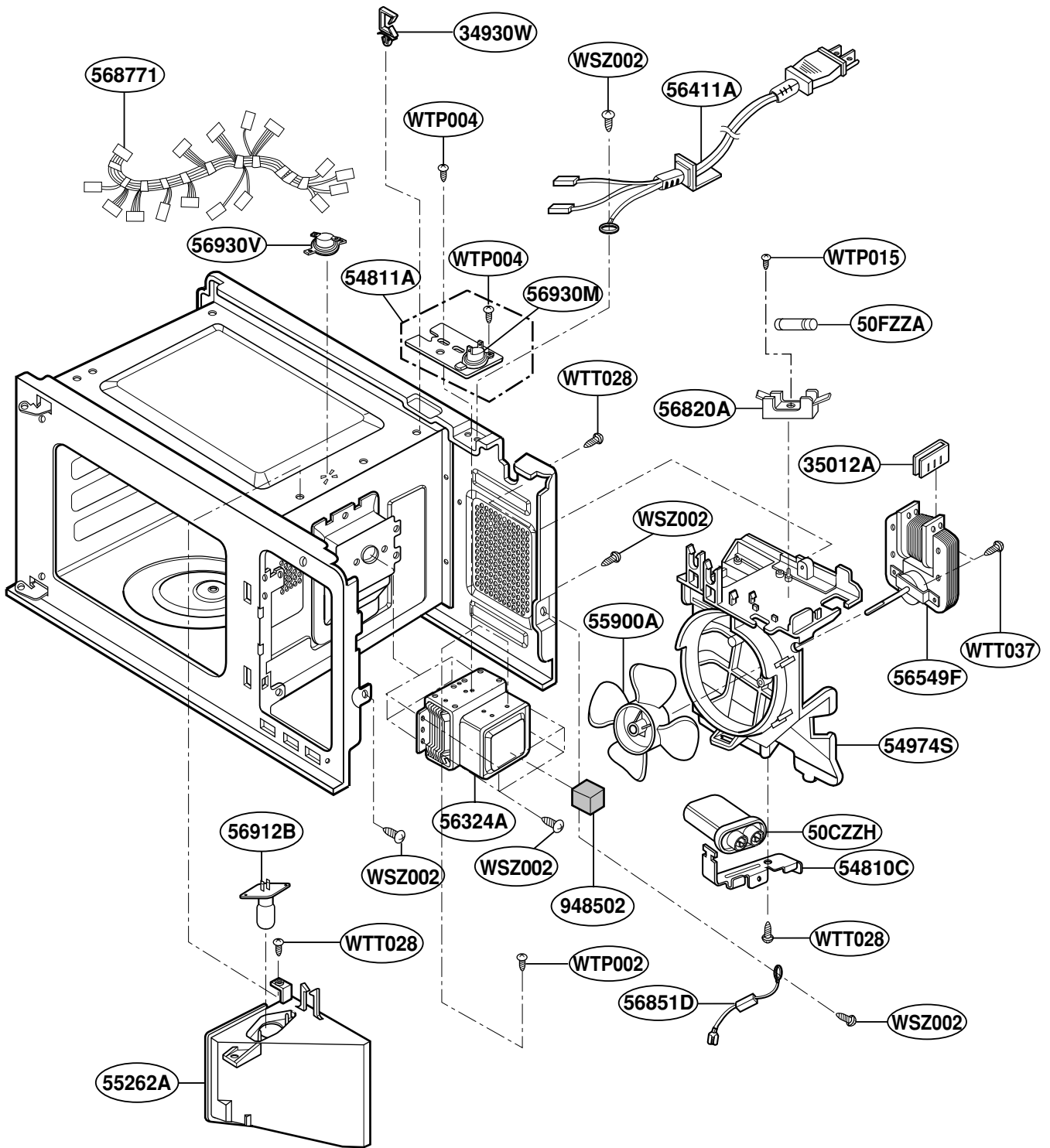
OVEN CAVITY PARTS



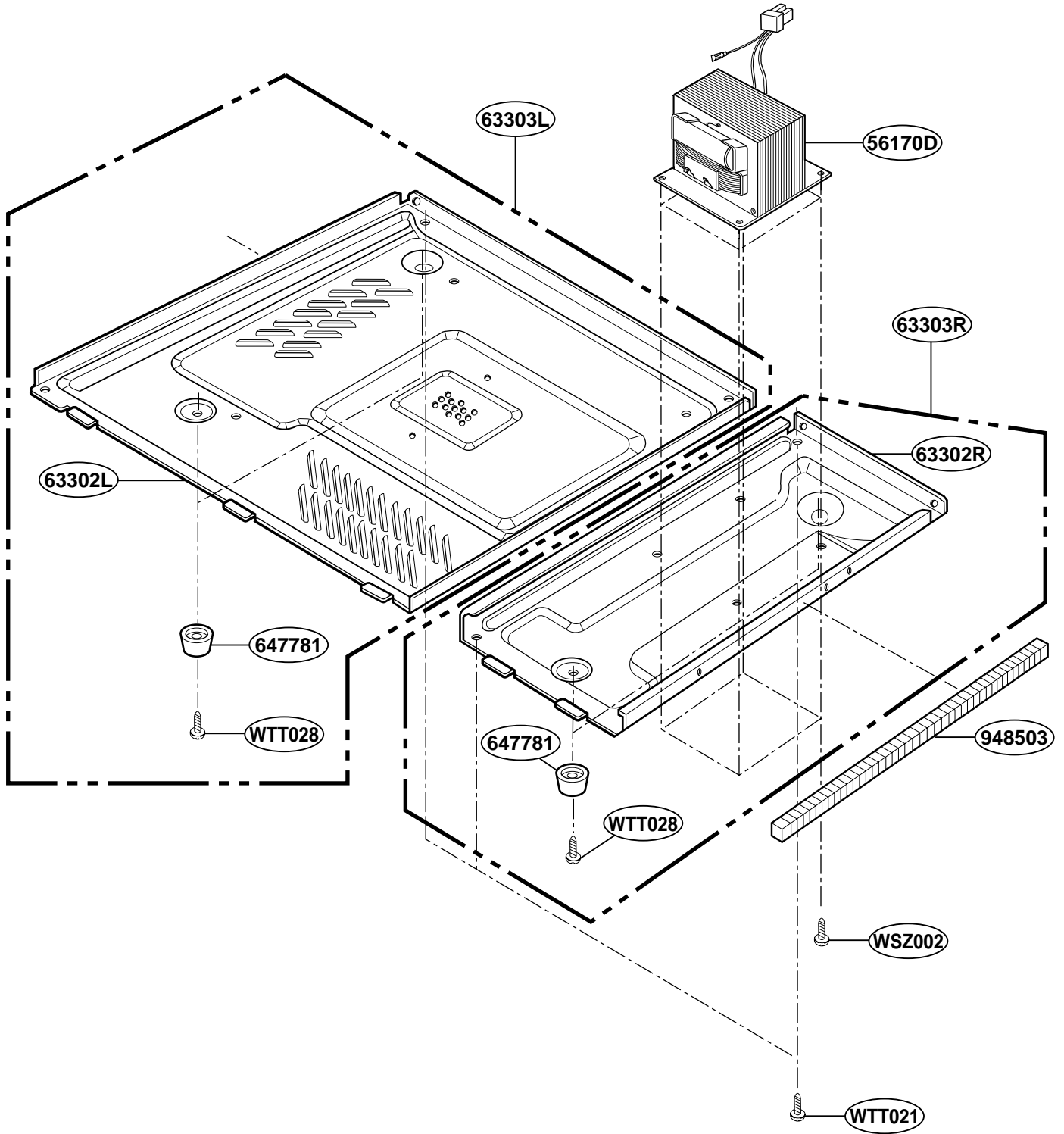
LATCH BOARD PARTS



INTERIOR PARTS



BASE PLATE PARTS



SENSOR PARTS

