

This Owner's Manual is provided and hosted by [Appliance Factory Parts](#).



# GE JES1358WL Owner's Manual

[Shop genuine replacement parts for GE JES1358WL](#)



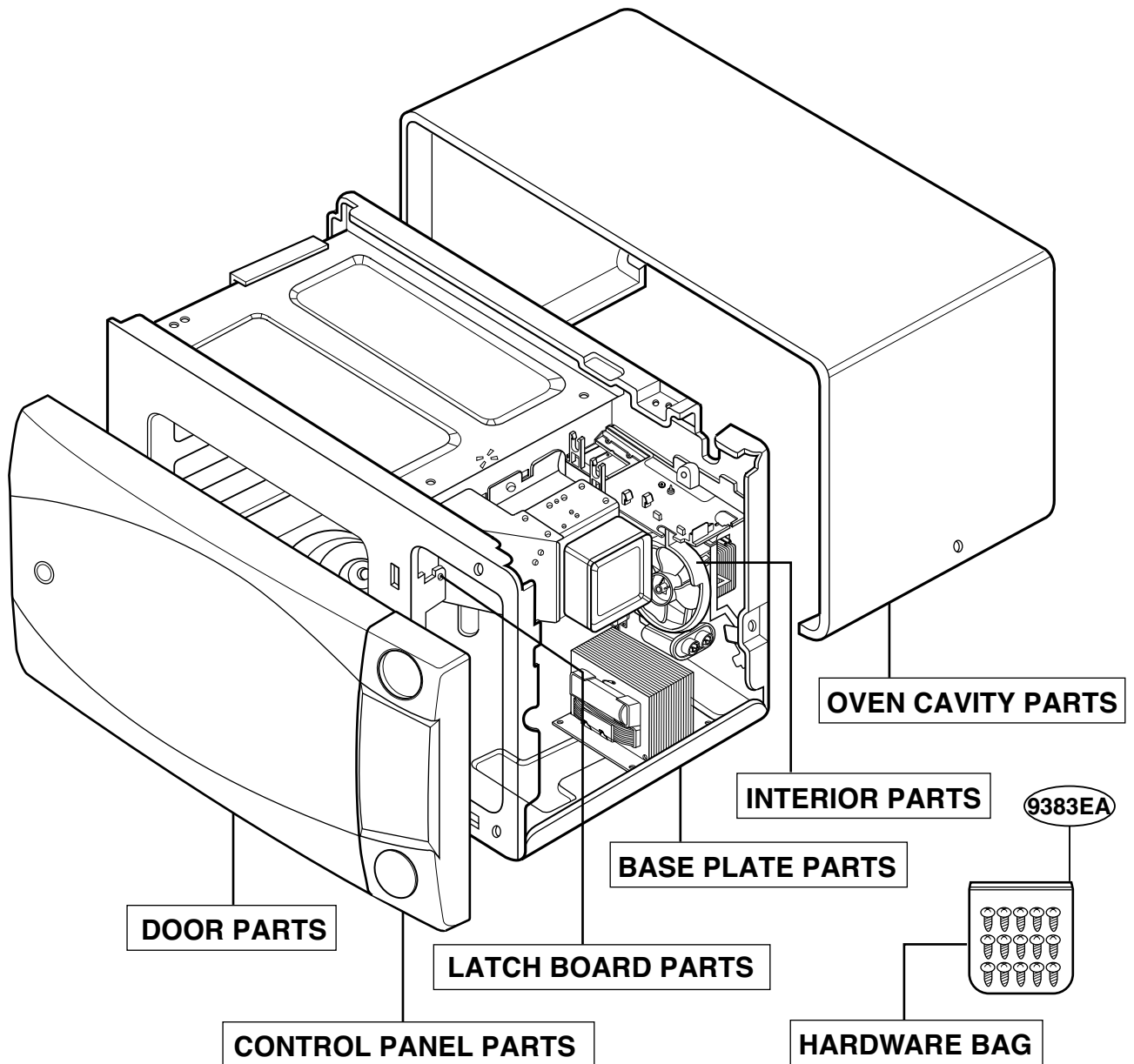
[Find Your GE Microwave Parts - Select From 3055 Models](#)

----- Manual continues below -----

# EXPLODED VIEW

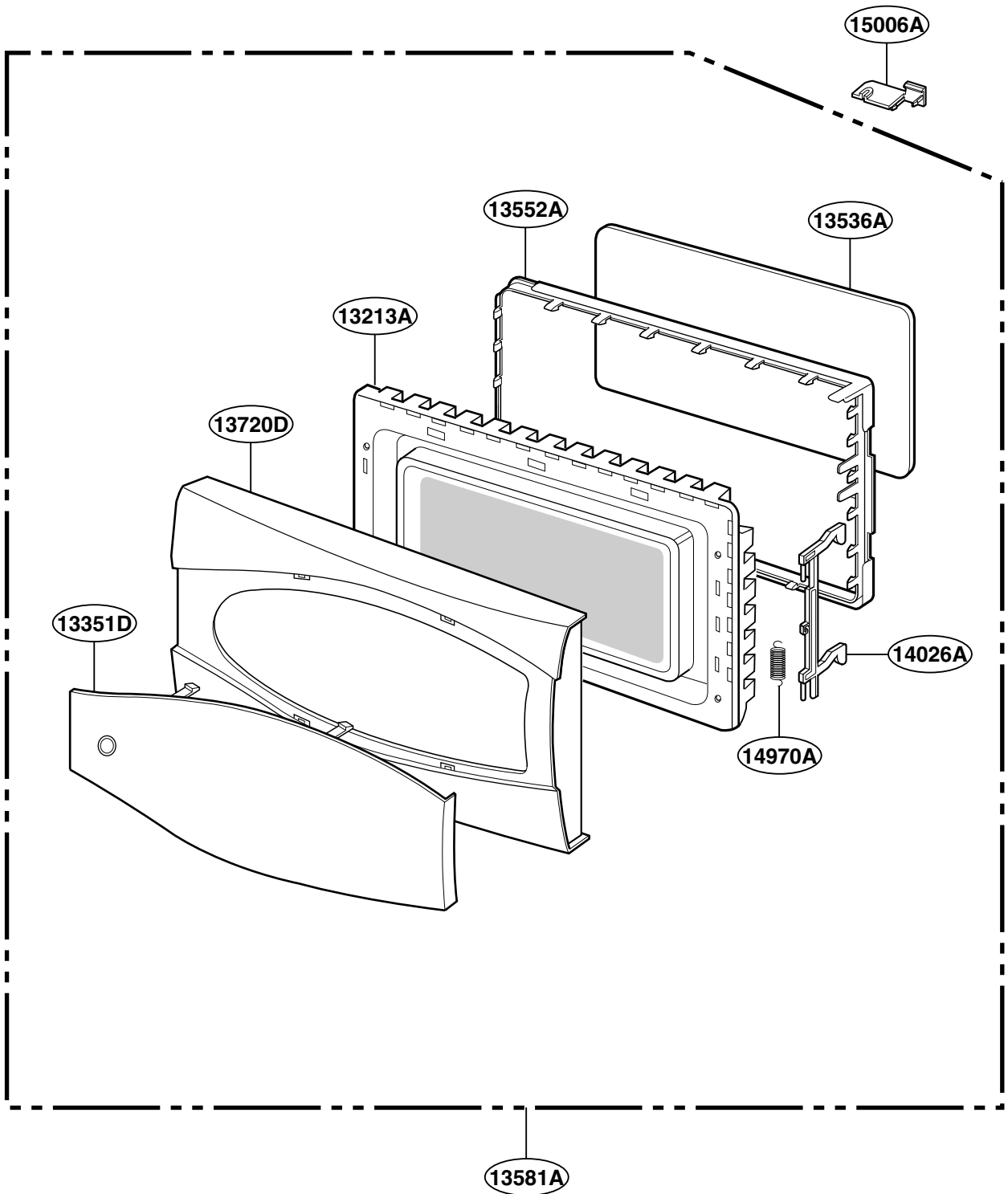
## INTRODUCTION

JES1358WL 01

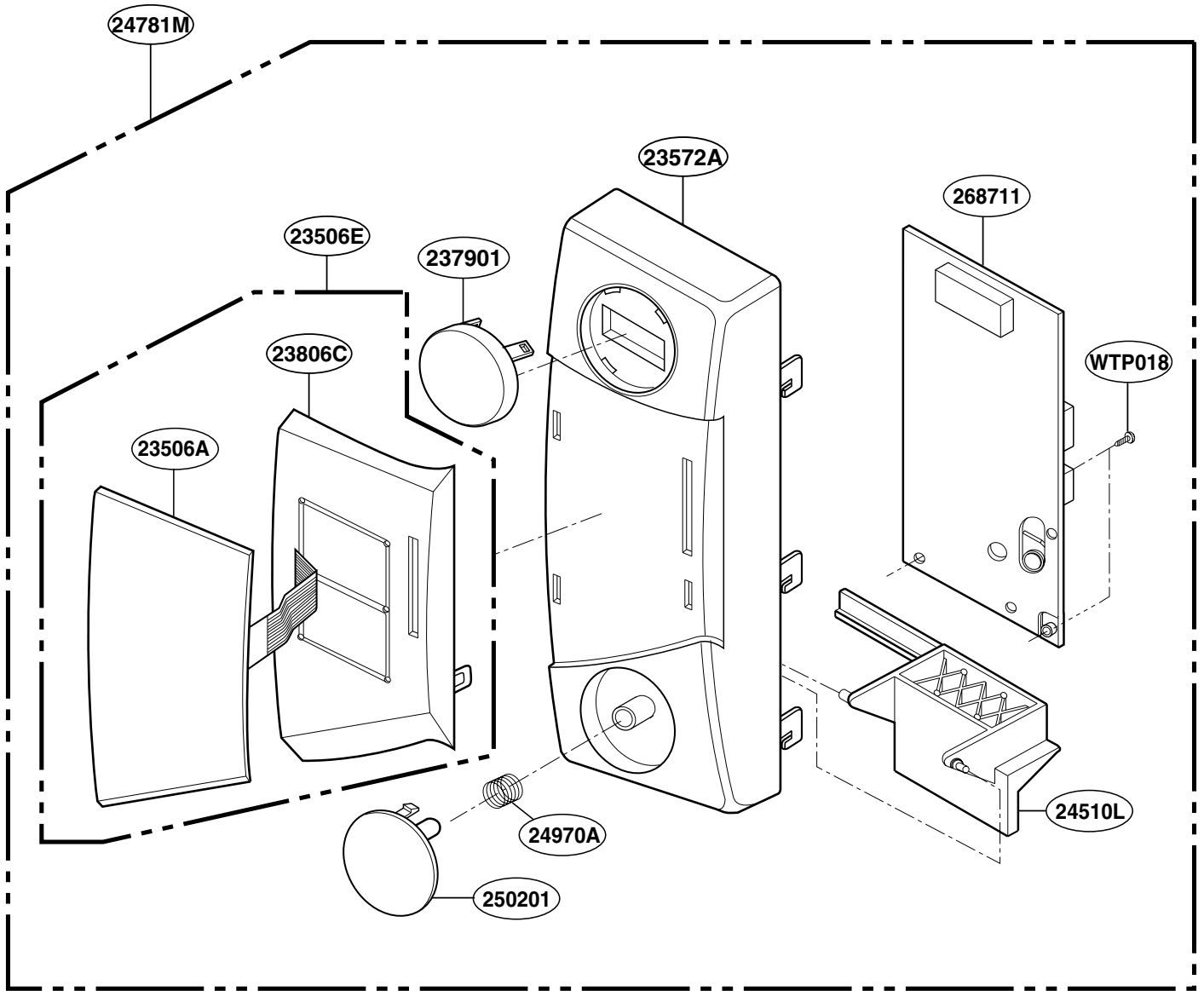


P/NO : 382885S0008

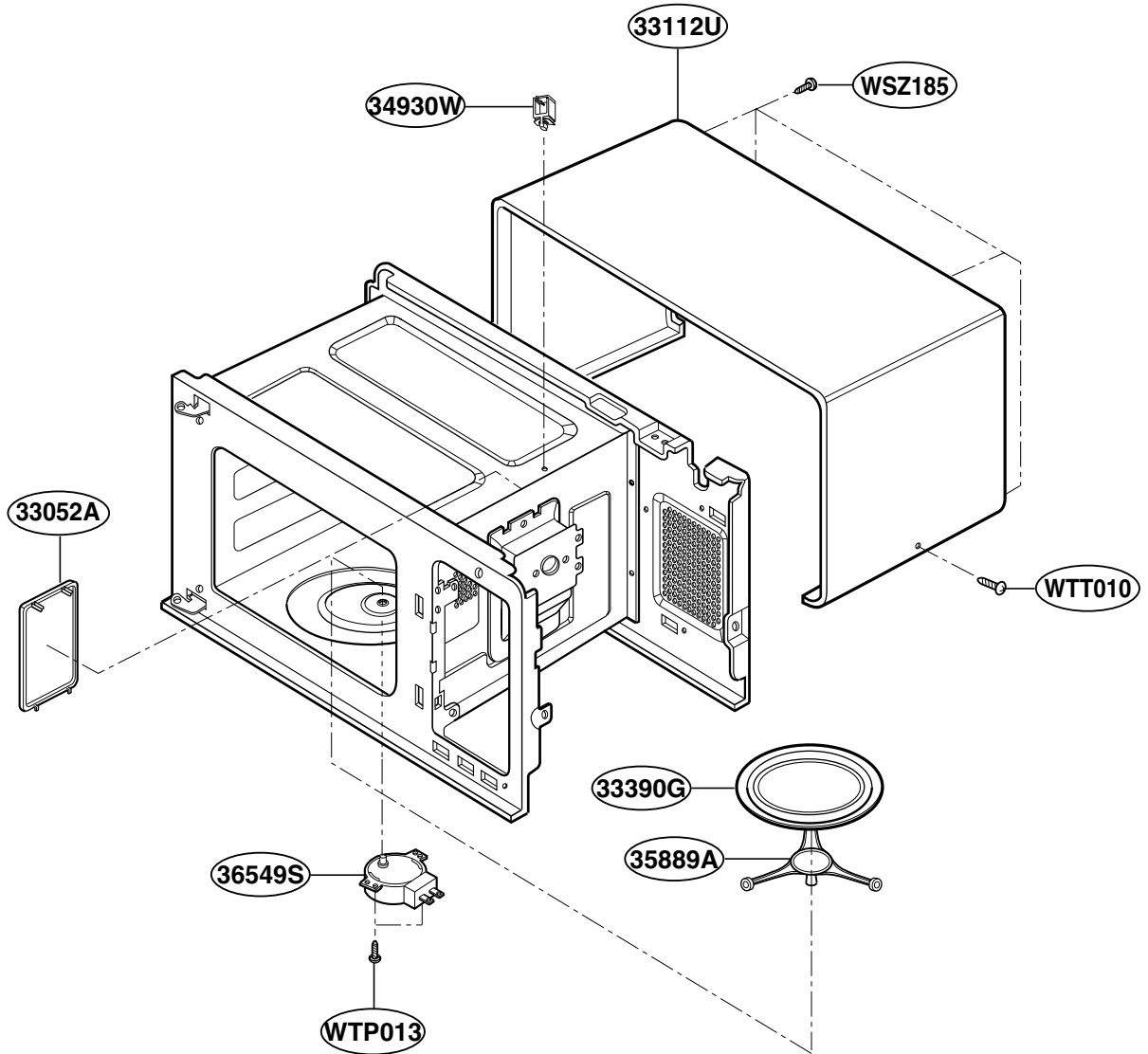
# DOOR PARTS



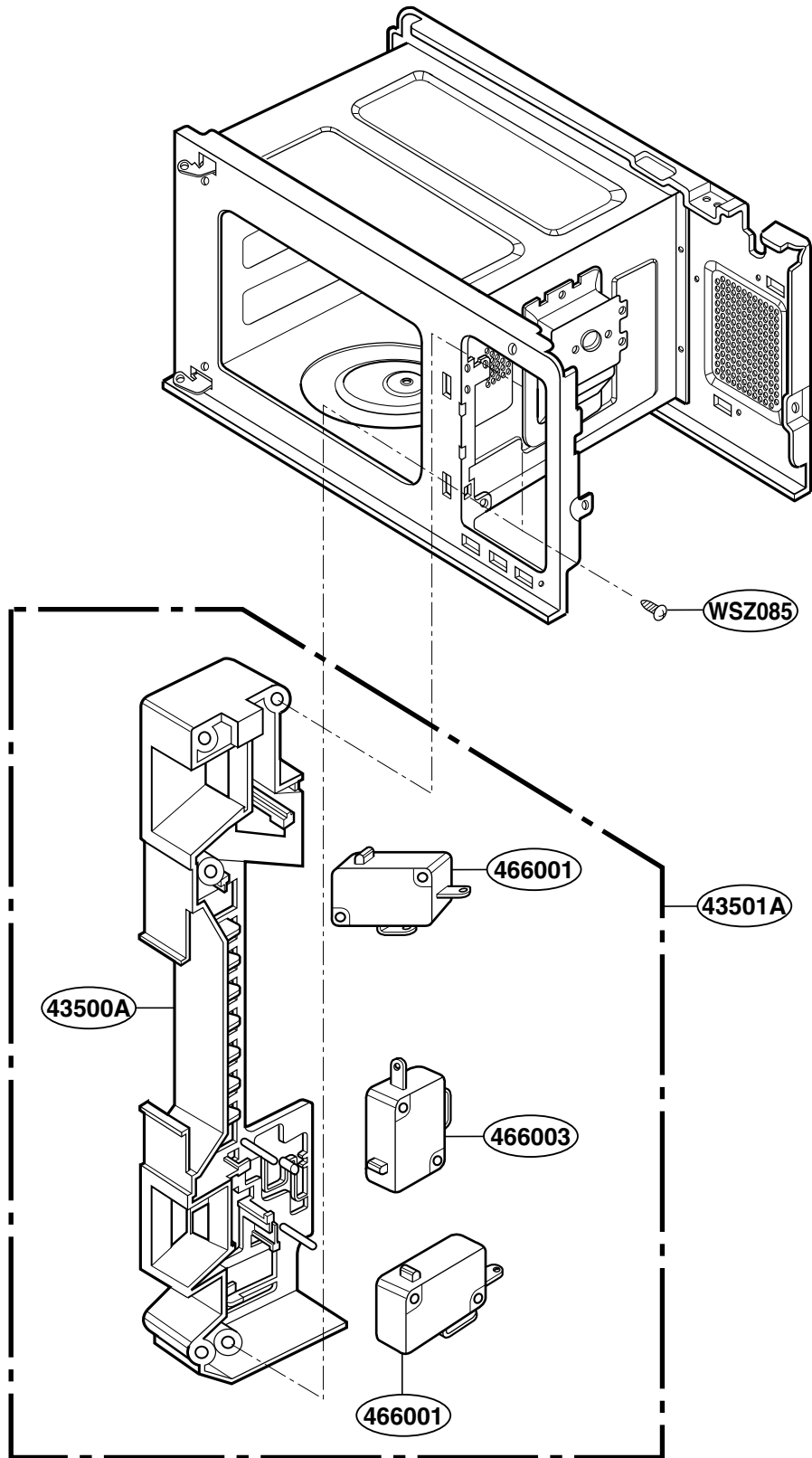
# CONTROL PANEL PARTS



# OVEN CAVITY PARTS

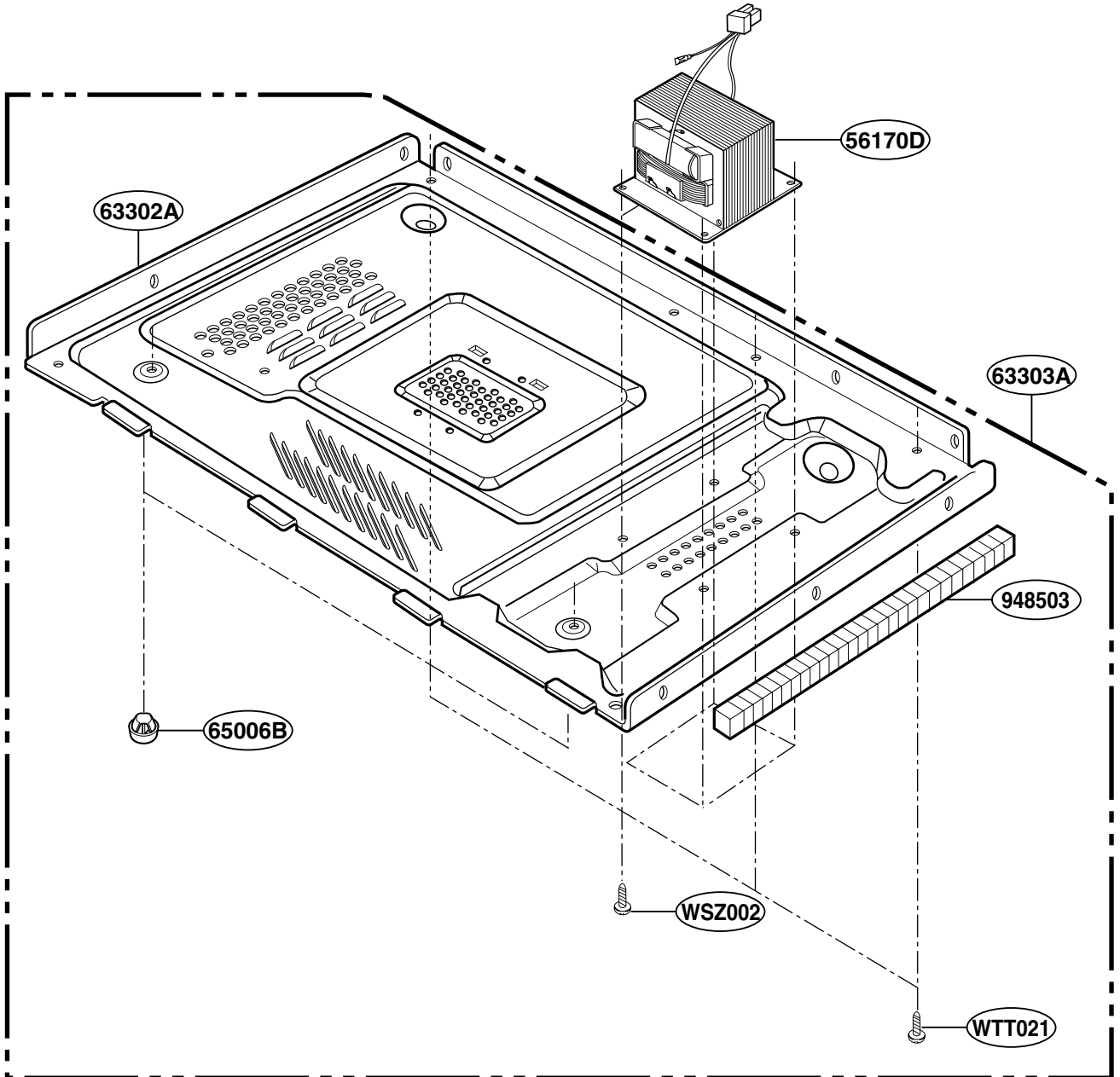


# LATCH BOARD PARTS



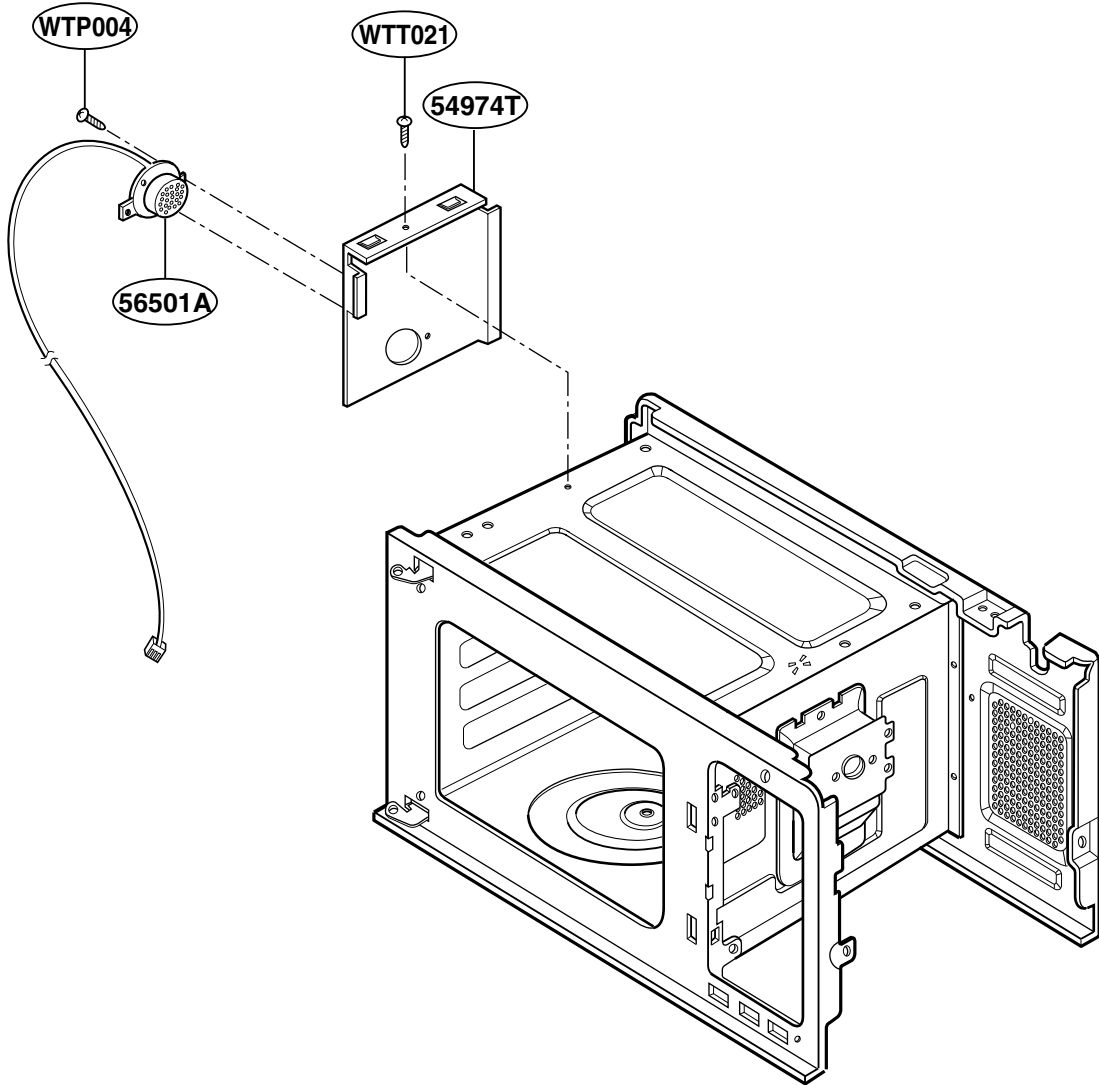


# BASE PLATE PARTS





# SENSOR PARTS



# Part Reference list

Rev.1 Jan 18, 2006

LOC. NO	PART NO	DESCRIPTION	SVC	QTY	ALTERNATIVE PART NO.	REMARKS
*01	3828W5A8519	MANUAL,OWNERS	R	1		
*05	3850W1D137D	LABEL,COOKING GUIDE	R	1		
*07	3840W5T148A	CARD,TECHNICAL	R	1		
*10	3890W3C557A	BOX,COLOR	R	1		
13213A	3213W1A031Q	DOOR FRAME ASSEMBLY	R	1		
13536A	3536W1A004A	SEAL TAPE	R	1		
13551D	383E81A006A	SERVICE PARTS(FRONT SCREEN+MARK)	R	1		
13552A	3552W0A012A	CHOKE COVER	R	1		
13581A	3581W1A574A	DOOR ASSEMBLY	R	1		
13720D	3720W0D415A	PANEL,DOOR	R	1		
14026A	4026W2A016A	LATCH	R	1		
14970A	4970WRA001B	SPRING	R	1		
15006A	5006W3A012A	CAP,CHOKE COVER	R	1		
23506A	3506W1A840A	KEY MEMBRANE	R	1		
23506E	383E85A001A	SERVICE PARTS	R	1		
23572A	3720W0C307A	PANEL,CONTROL	R	1		
237901	3790W1A096A	WINDOW,DISPLAY	R	1		
23806C	3806W1A137A	DECO,CONTROL PANEL	R	1		
24510L	4510W3L003A	LEVER	R	1		
24781M	4781W1M462A	CONTROLLER ASSEMBLY,KEY PAD	R	1		
24970A	4B72023B	SPRING	R	1		
250201	5020W1A313A	BUTTON	R	1		
268711	6871W1S348G	PWB(PCB) ASSEMBLY,SUB	R	1		
33052A	3052W2A021A	CANOPY,RESIN	R	1		
33112U	3112W1U037E	OUT CASE,U-BENDING	R	1		
33390G	3390W1G004E	TRAY,GLASS	R	1	3390W1G004A	
34930W	4930W3B029A	HOLDER,WIRE	R	1		
35012A	5012W3A020C	INSULATOR	R	1		
35889A	5889W1A005D	ROTATING RING ASSEMBLY	R	1		
36549S	6549W1S011G	MOTOR(CIRC),SYNCHRONOUS	R	1		
43500A	3500W1A018A	BOARD,LATCH	R	1		
43501A	3501W1A053A	BOARD ASSEMBLY,LATCH	R	1		
466001	6600W1K003D	SWITCH,MICRO	R	2	6600W1K001D	
466001	6600W1K003D	SWITCH,MICRO	R	2	6600W1K004F	
466003	6600W1K003C	SWITCH,MICRO	R	1	6600W1K001C	
466003	6600W1K003C	SWITCH,MICRO	R	1	6600W1K004E	
50CZZH	0CZZW1H005A	CAPACITOR,DRAWING[HIGH VOLTAGE]	R	1	0CZZW1H004P	
50CZZH	0CZZW1H005A	CAPACITOR,DRAWING[HIGH VOLTAGE]	R	1	0CZZW1H004C	
50FZZA	3B74133K	FUSE,DRAWING	R	1		
54810C	4810W4C003B	BRACKET,CAPACITOR	R	1		
54974S	4974W0A003B	GUIDE,SUCTION	R	1		
54974T	5208W1A012B	DUCT	R	1		
54980A	4980W3A038A	SUPPORTER	R	1		
55262A	5208W1A017A	DUCT	R	1		
55900A	5900W1A007B	FAN	R	1		
56170D	6170W1D023X	TRANSFORMER,HIGH VOLTAGE	R	1		
56201A	6201W1A014A	FILTER ASSEMBLY(CIRC)	R	1		
56324A	6324W1A001L	MAGNETRON	R	1	6324W1A001B	
56411A	6411W1A019S	POWER CORD ASSEMBLY	R	1	6411W1A019T	

LOC. NO	PART NO	DESCRIPTION	SVC	QTY	ALTERNATIVE PART NO.	REMARKS
56411A	6411W1A019S	POWER CORD ASSEMBLY	R	1	6411W1A019U	
56501A	6501W1A006A	SENSOR ASSEMBLY	R	1		
56549F	6549W1F009C	MOTOR(CIRC),FAN	R	1		
56851D	6851W1A002B	CABLE ASSEMBLY	R	1	6021W3B001G	
56851D	6851W1A002B	CABLE ASSEMBLY	R	1	6021W3B001V	
568771	6877W1A482J	HARNESS	R	1		
56912B	6912W3B002L	LAMP,DRAWING	R	1		
56930G	6930W1A002H	THERMOSTAT	R	1	6930W1A003G	
56930V	6930W1A004K	THERMOSTAT	R	1	6930W3A001J	
63302A	3302W0A036B	BASE PLATE	R	1		
63303A	3303W0A019B	BASE PLATE ASSEMBLY	R	1		
65006B	5006W3A019A	CAP,BASE PLATE	R	2		
9383EA	383EW1A081A	SERVICE PARTS	R	1		
948501	4850W1A001H	CUSHION	R	1		
948502	3B72244C	CUSHION	R	4		
948503	4850W1A001F	CUSHION	R	2		
WEB001	1EBF0402494	SCREW TAP TITE(S),BINDING HEAD	R	2		
WSZ002	1SBF0402418	SCREW TAP TITE(S),BINDING HEAD	R	14		
WSZ085	4B70188C	SCREW,DRAWING	R	2		
WSZ185	1SZW2A002A	SCREW,DRAWING	R	4		
WTP004	1TPL0302418	SCREW TAPPING,PAN HEAD	R	3		
WTP013	1TPL0402418	SCREW TAPPING,PAN HEAD	R	1		
WTP018	1TPL0402818	SCREW TAPPING,PAN HEAD	R	2		
WTT010	1TTG0402422	SCREW TAPPING,TRUSS HEAD	R	2		
WTT021	1TTL0402418	SCREW TAPPING,TRUSS HEAD	R	6		
WTT028	1TTL0402818	SCREW TAPPING,TRUSS HEAD	R	4		
WTT037	1TTL0403818	SCREW TAPPING,TRUSS HEAD	R	2		