

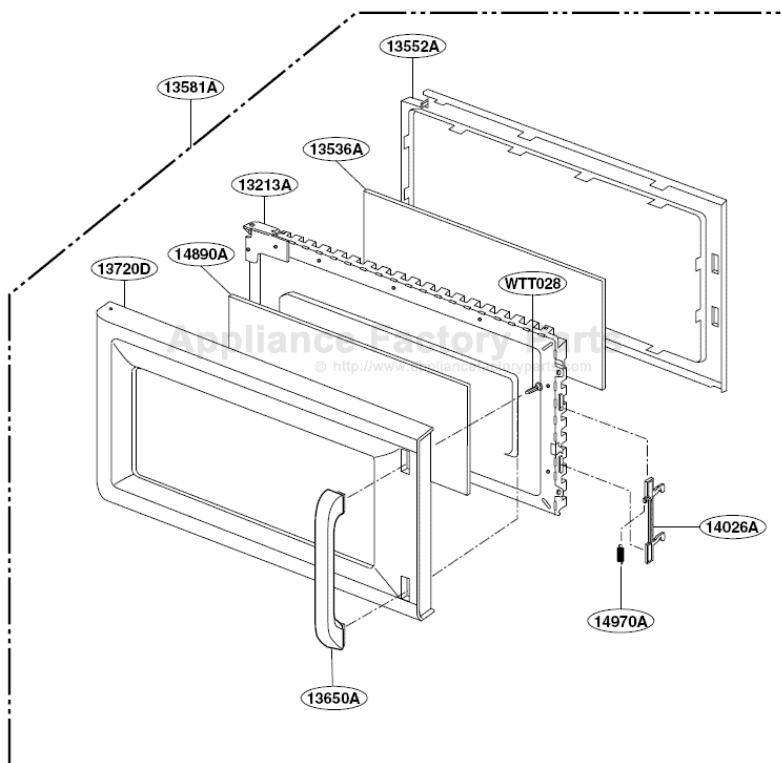
This Owner's Manual is provided and hosted by [Appliance Factory Parts](http://ApplianceFactoryParts.com).



LG JVM1542BF-01 Owner's Manual

[Shop genuine replacement parts for LG JVM1542BF-01](#)

DOOR PARTS



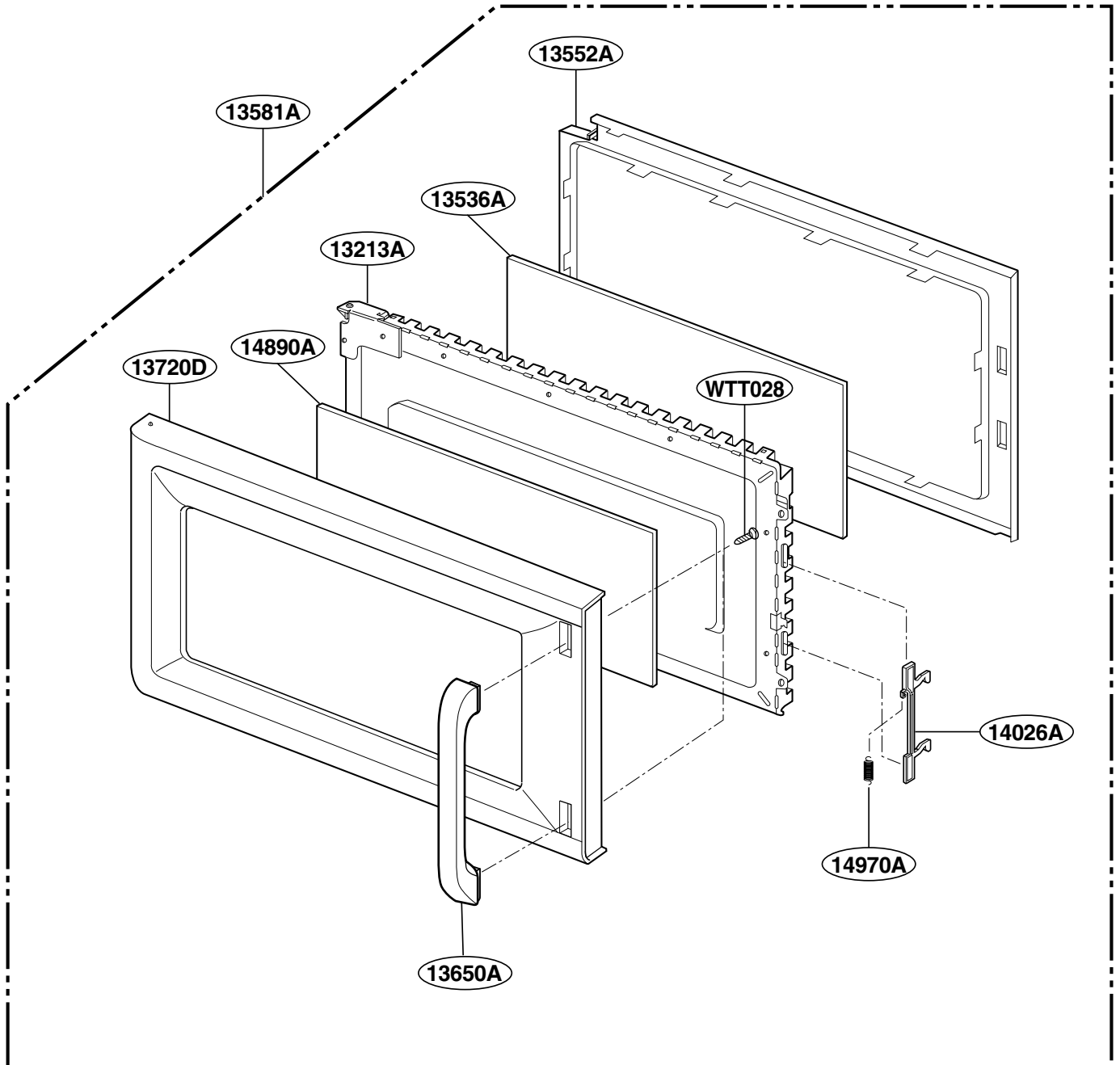
[Find Your LG Microwave Parts - Select From 955 Models](#)

----- Manual continues below -----

EXPLODED VIEW

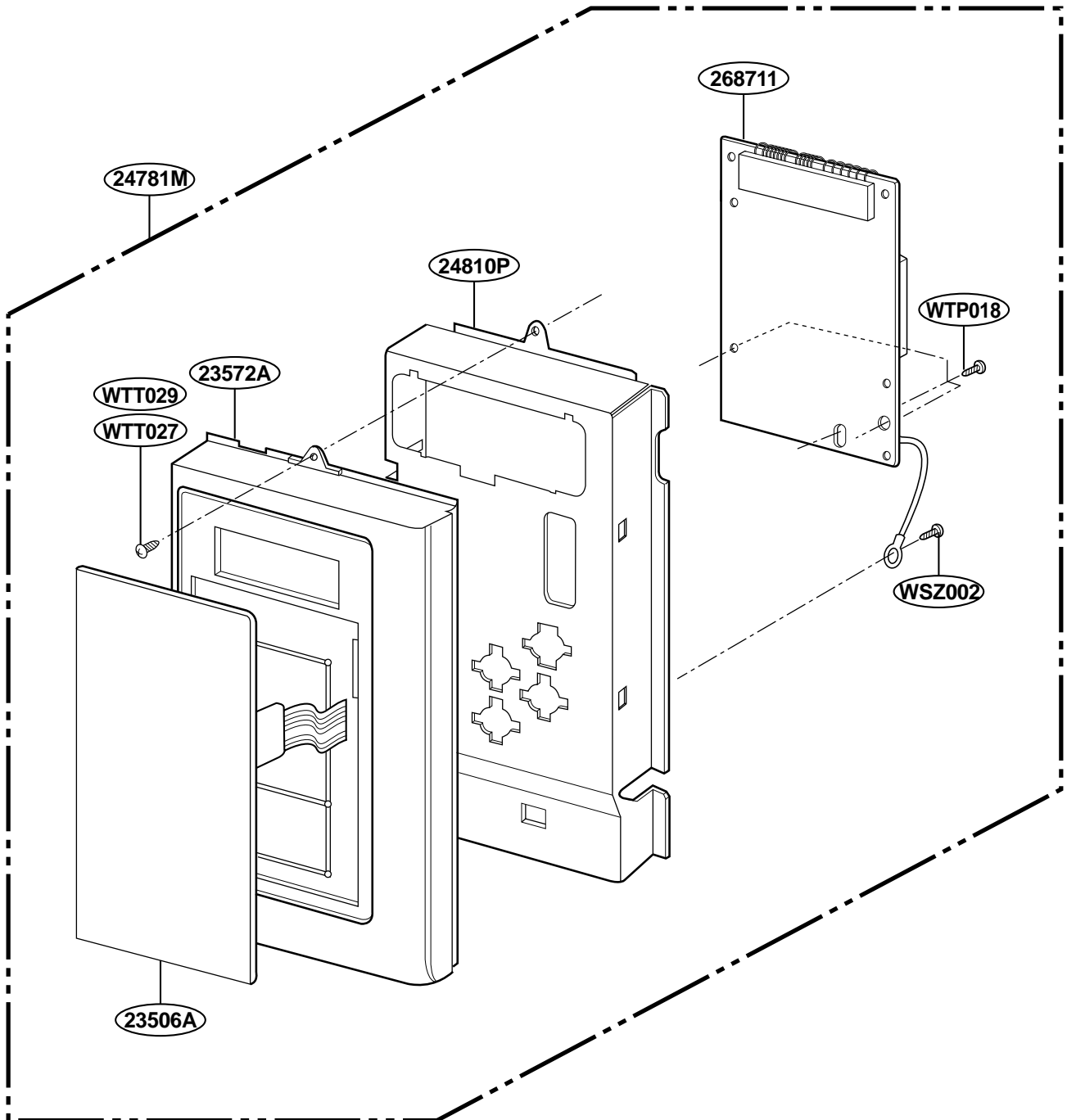
MODEL : JVM1542BF/WF

DOOR PARTS

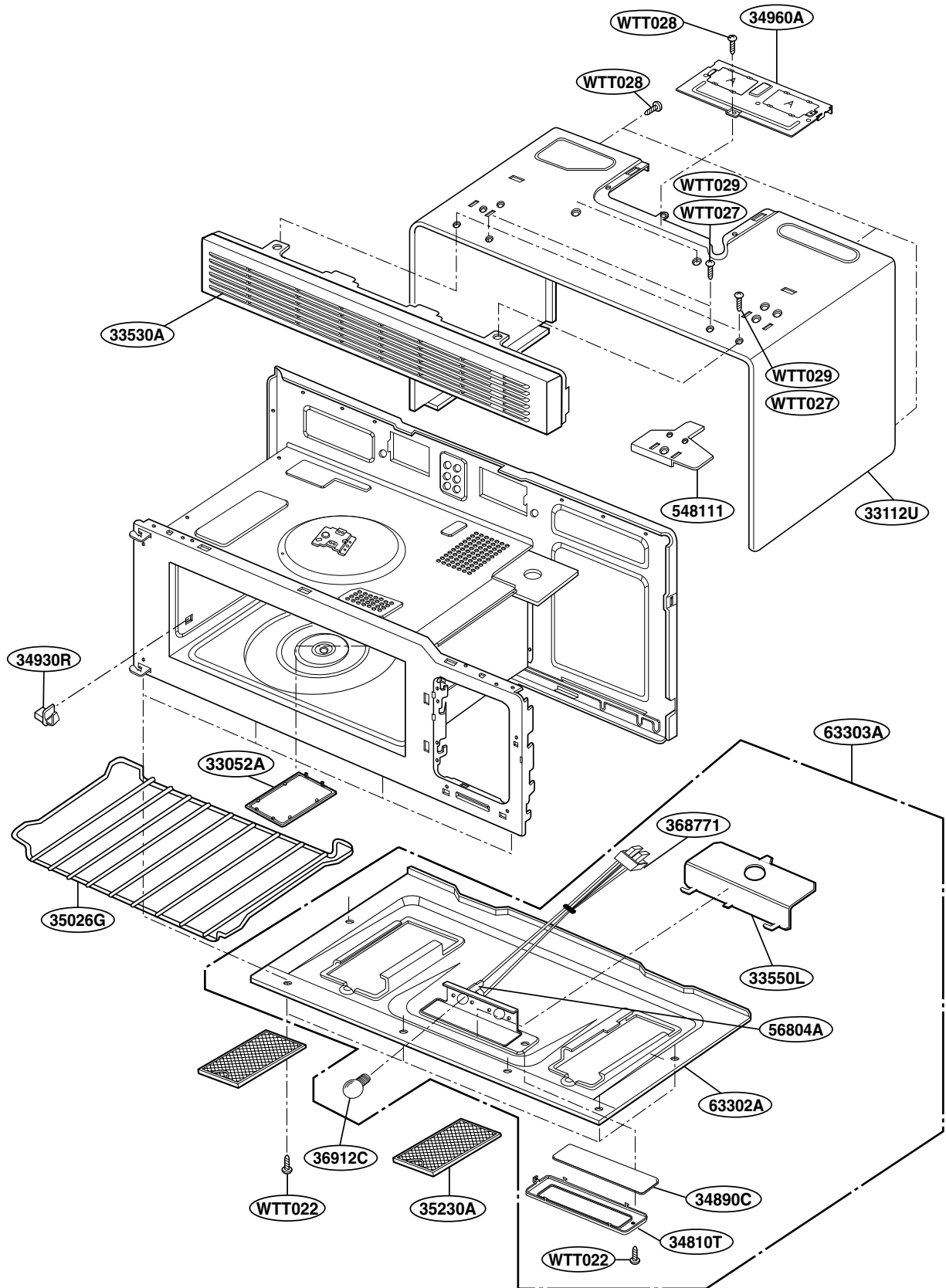


P/No: 3828W5S2654

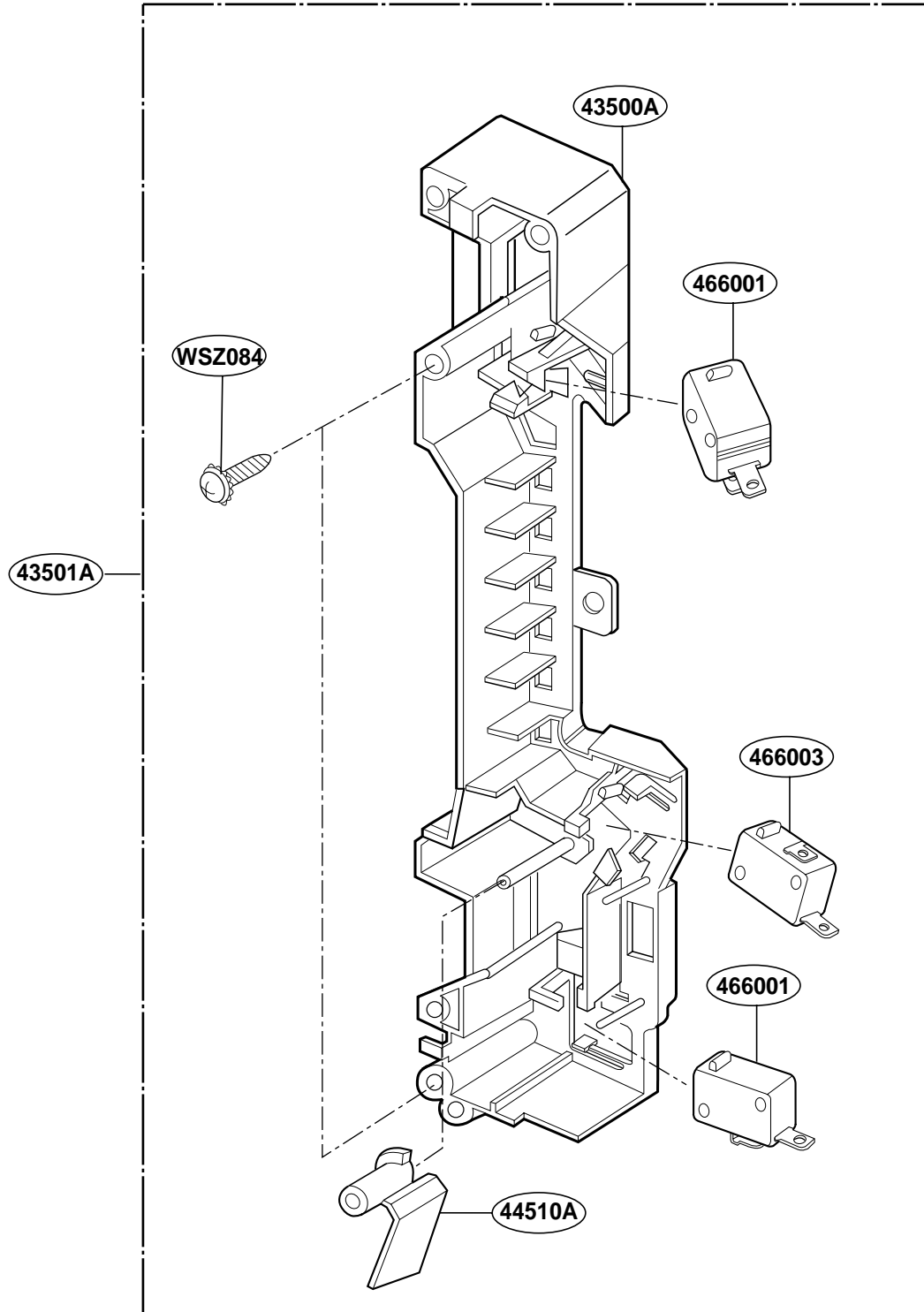
CONTROLLER PARTS



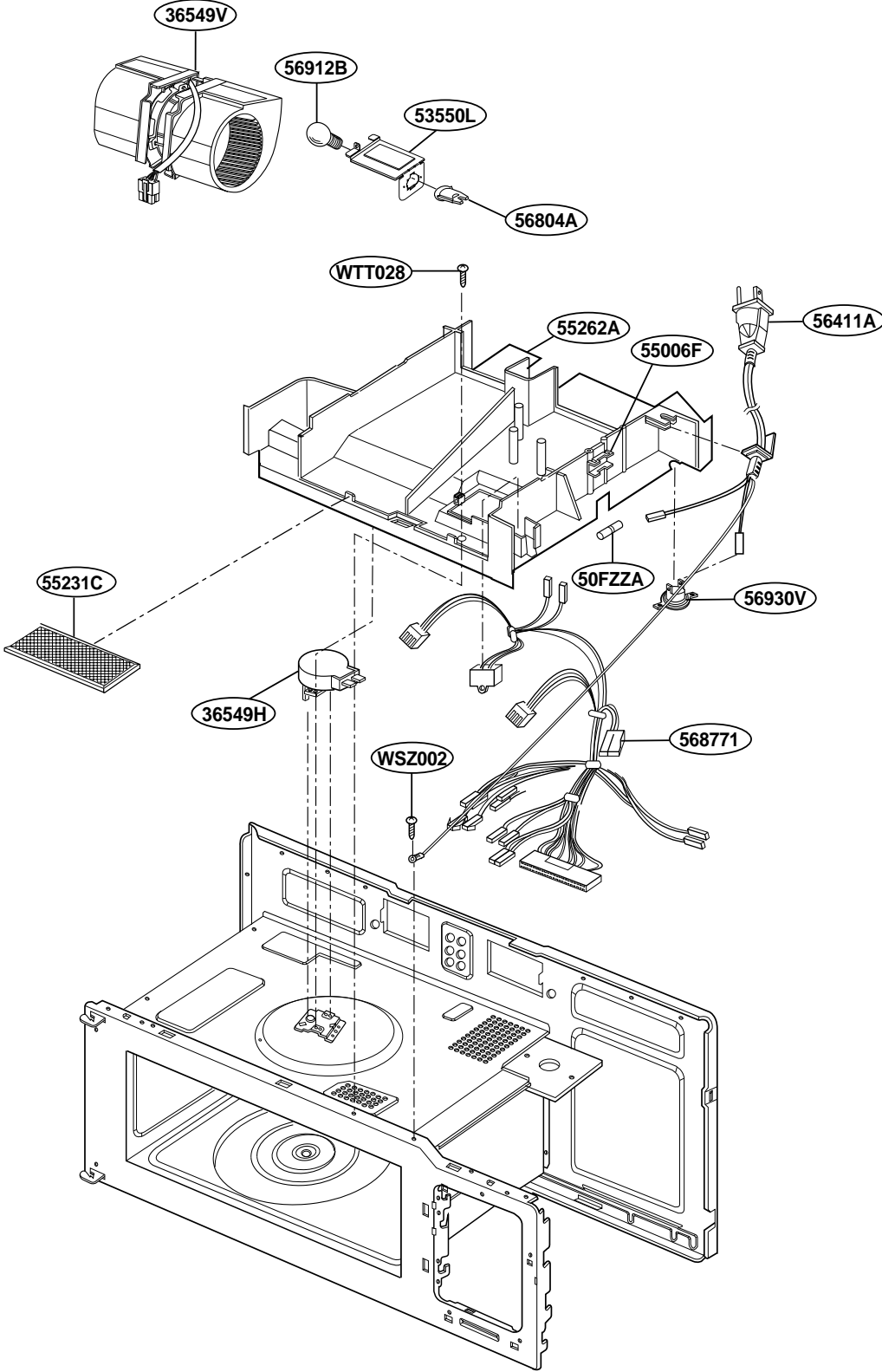
OVEN CAVITY PARTS



LATCH BOARD PARTS



INTERIOR PARTS (II)



INSTALLATION PARTS

