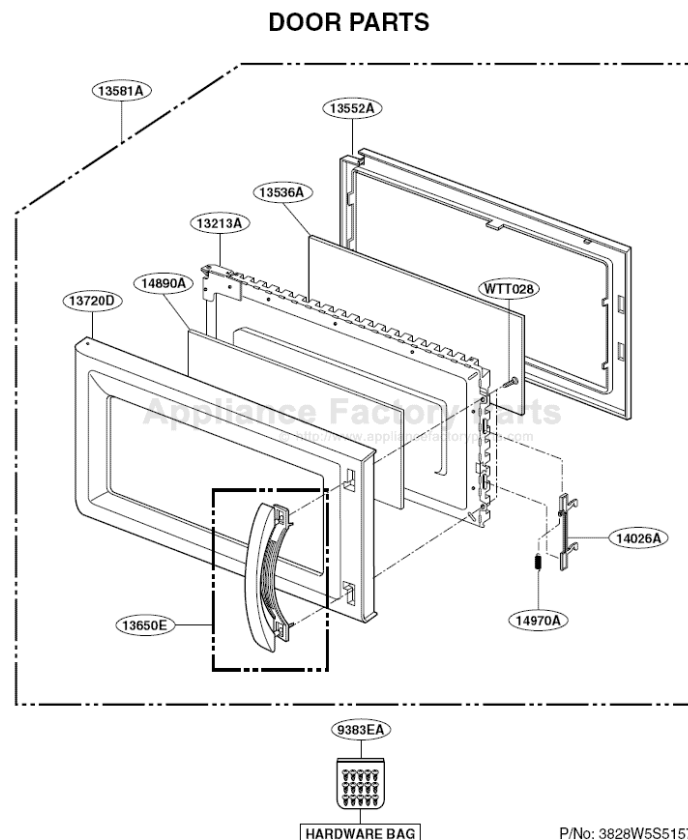


This Owner's Manual is provided and hosted by [Appliance Factory Parts](#).



LG JVM1630WH Owner's Manual

[Shop genuine replacement parts for LG JVM1630WH](#)



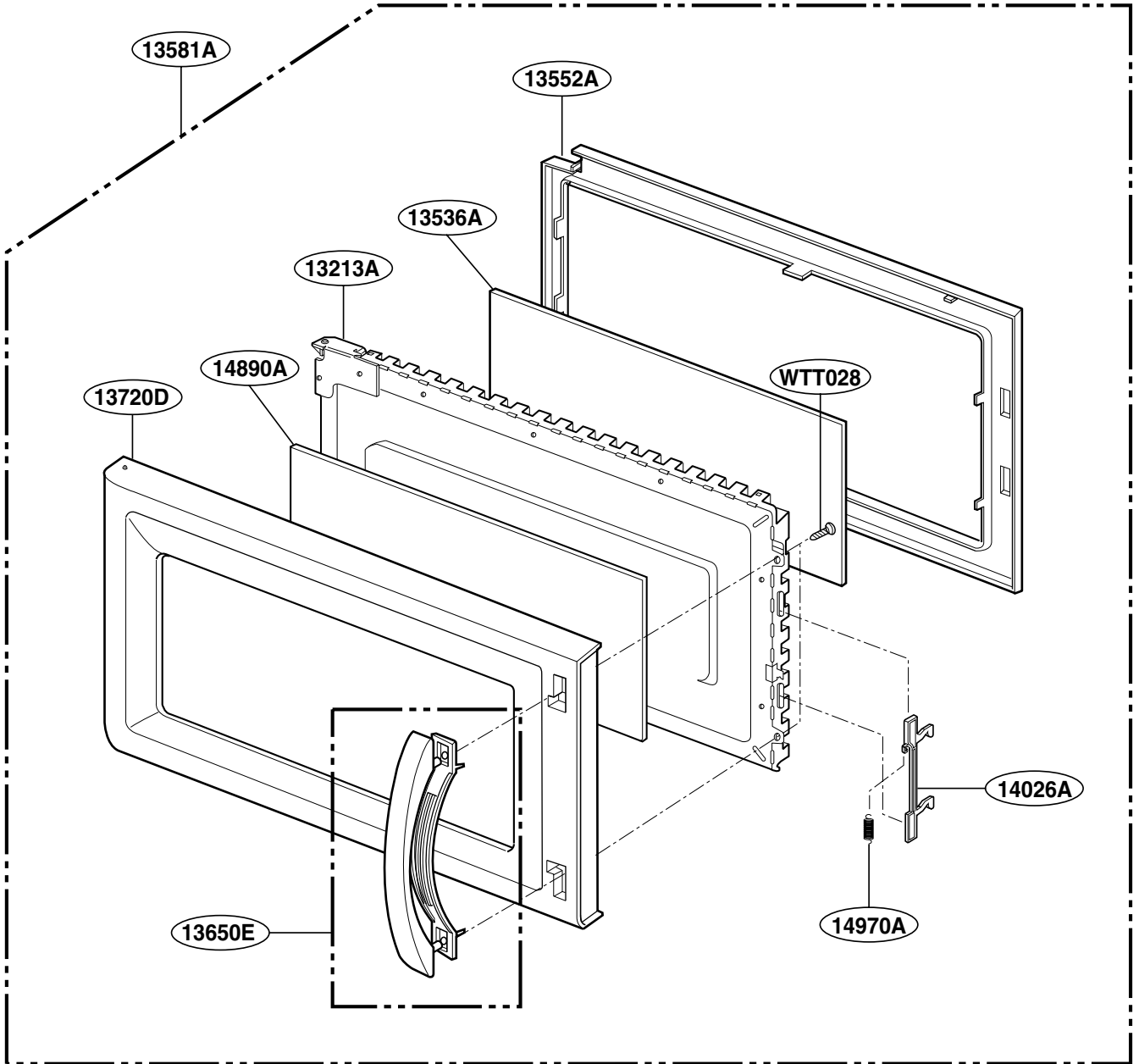
[Find Your LG Microwave Parts - Select From 955 Models](#)

----- Manual continues below -----

EXPLODED VIEW

JVM1630

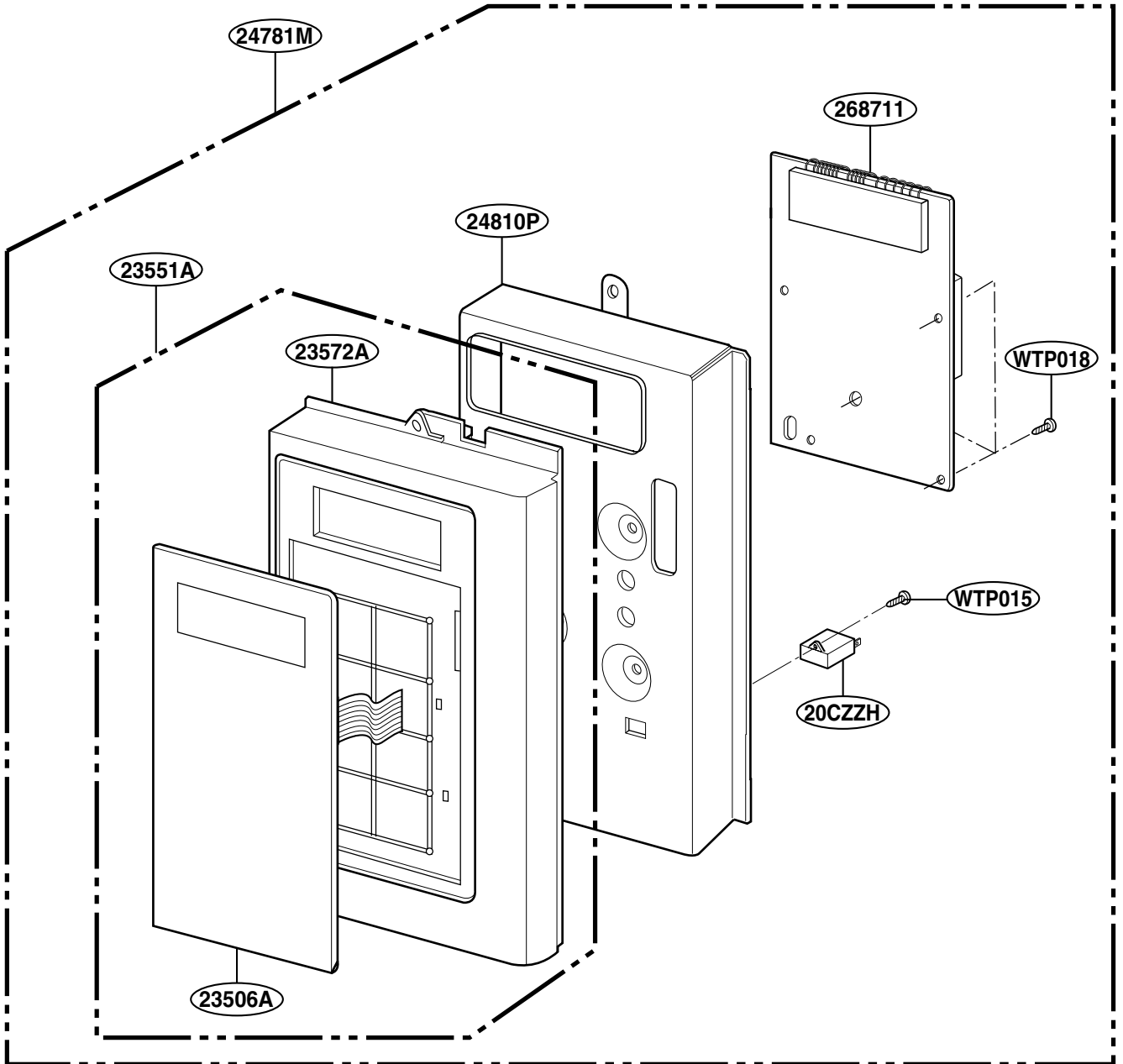
DOOR PARTS



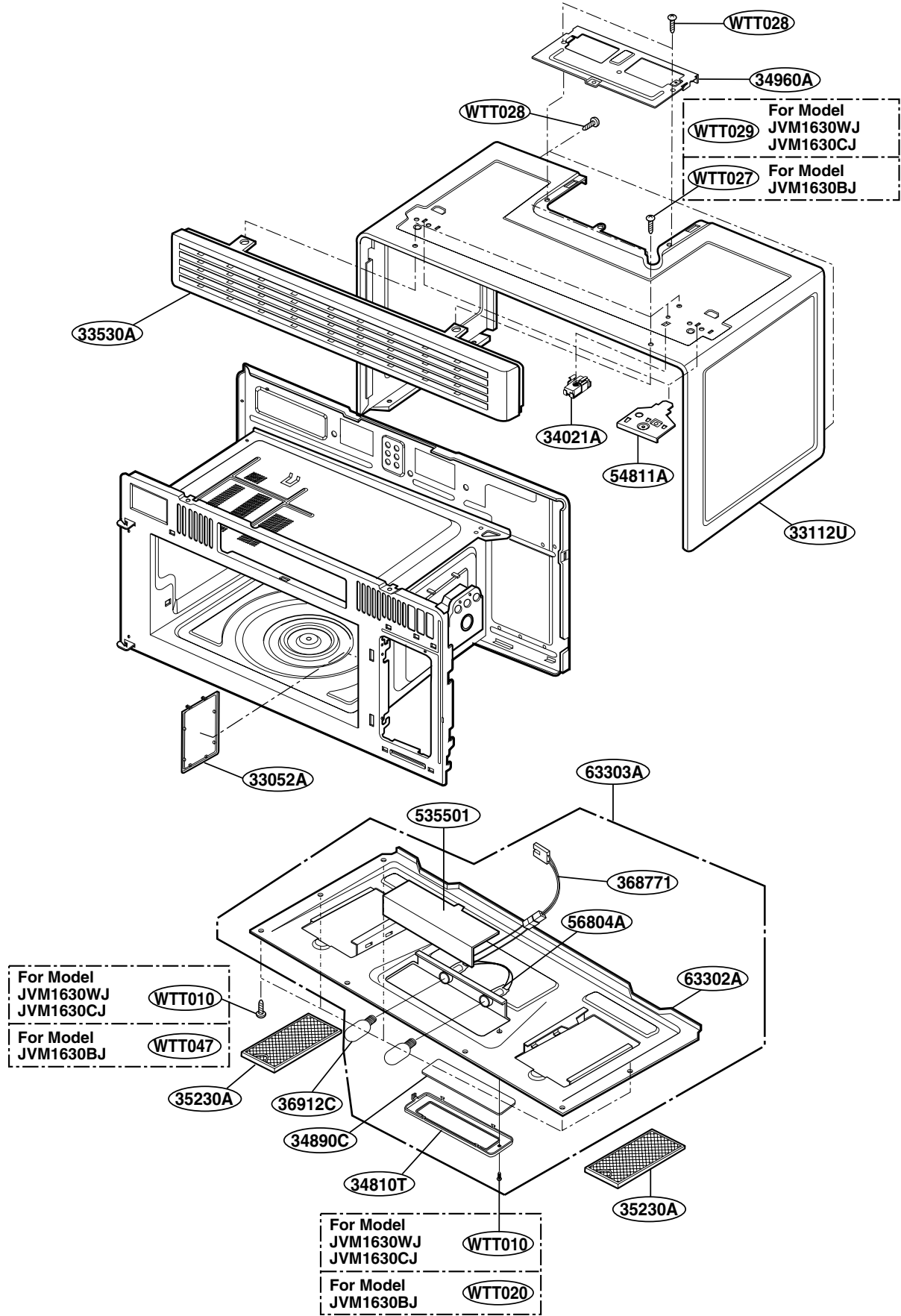
HARDWARE BAG

P/No: 3828W5S5157

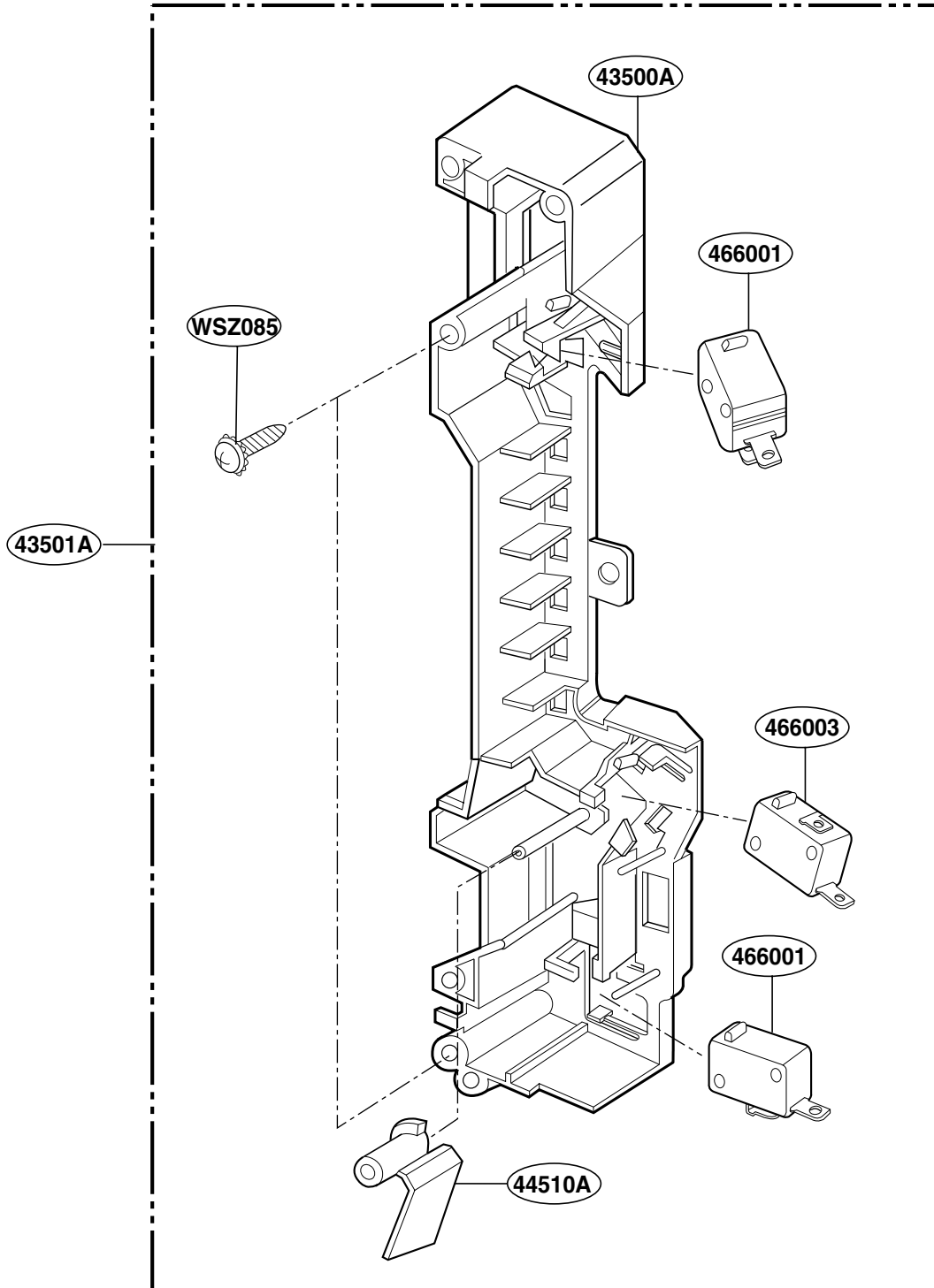
CONTROLLER PARTS



OVEN CAVITY PARTS



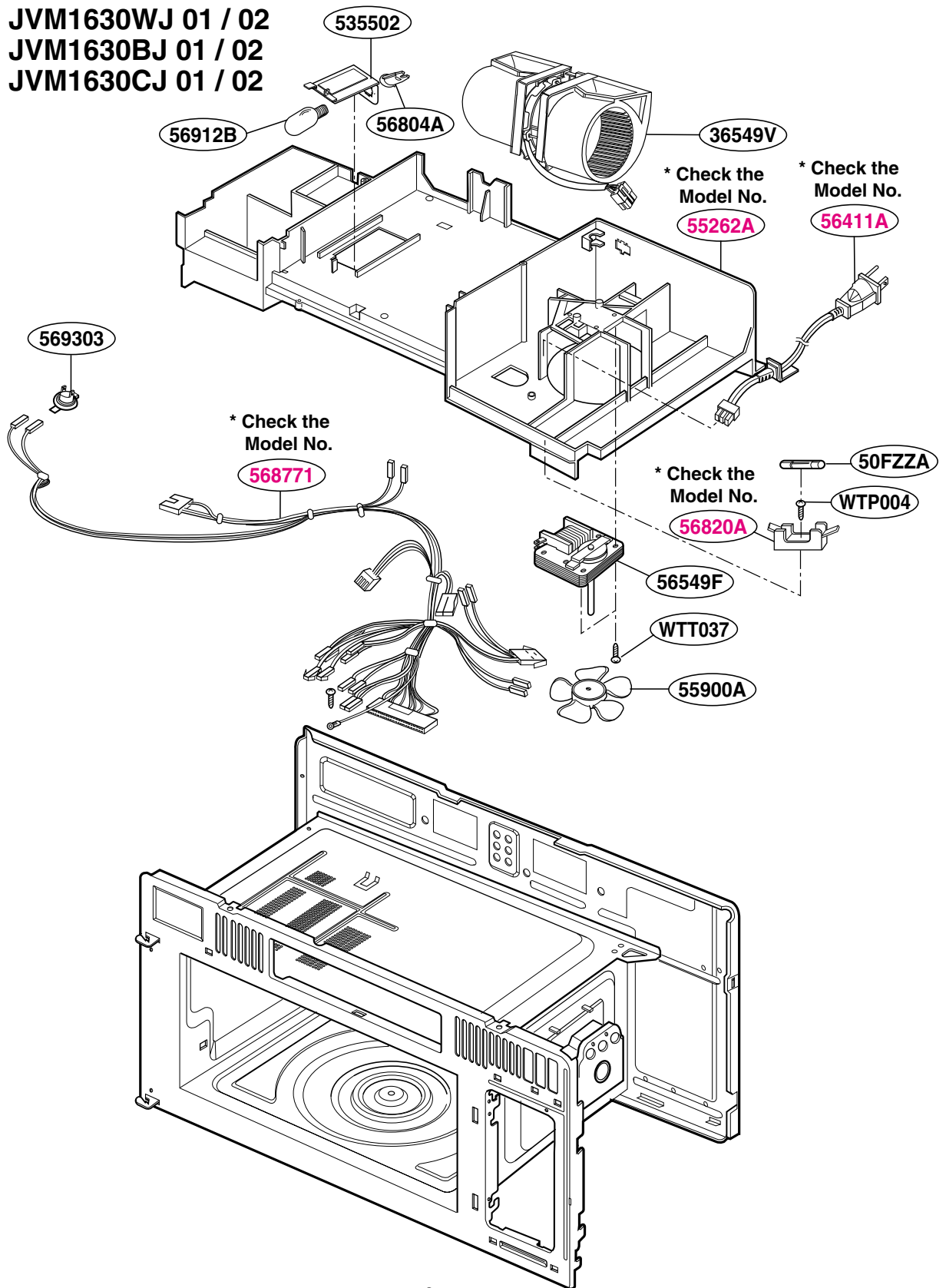
LATCH BOARD PARTS



INTERIOR PARTS (II - I)

Model: JVM1630WH 003
JVM1630BH 003
JVM1630CH 003
JVM1630WJ 01 / 02
JVM1630BJ 01 / 02
JVM1630CJ 01 / 02

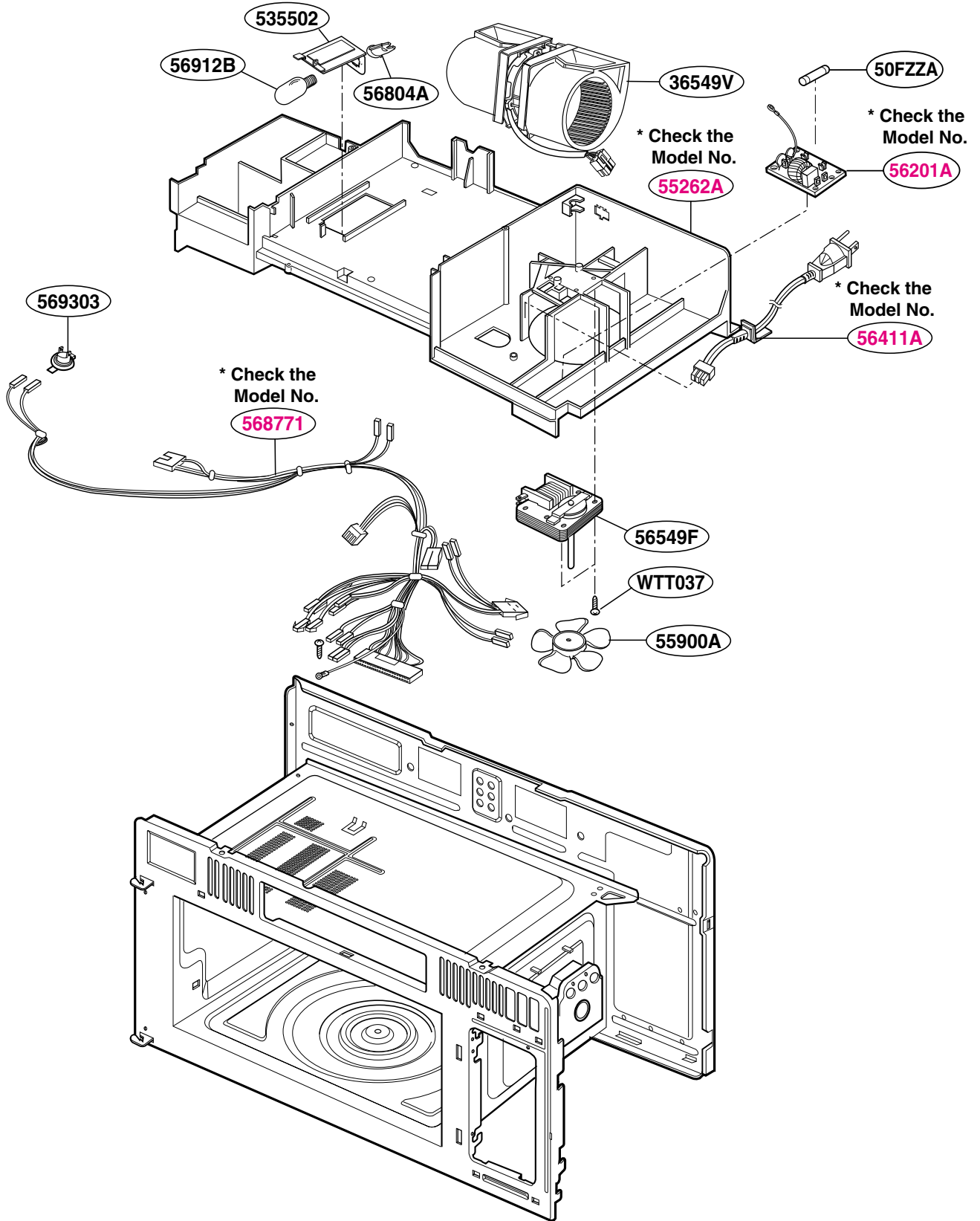
Check the rating label of **Model** and order SVC parts according to the **Model No.**



INTERIOR PARTS (II - II)

Model: JVM1630WJ 03
JVM1630BJ 03
JVM1630CJ 03

Check the rating label of **Model** and order SVC parts according to the **Model No.**



INSTALLATION PARTS

