

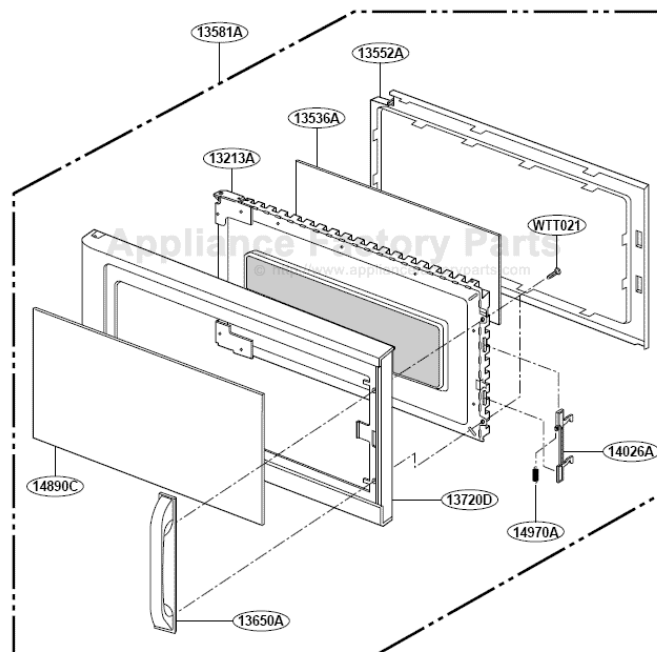
This Owner's Manual is provided and hosted by Appliance Factory Parts.



WHIRLPOOL MH7135XEB-0 Owner's Manual

[Shop genuine replacement parts for WHIRLPOOL
MH7135XEB-0](#)

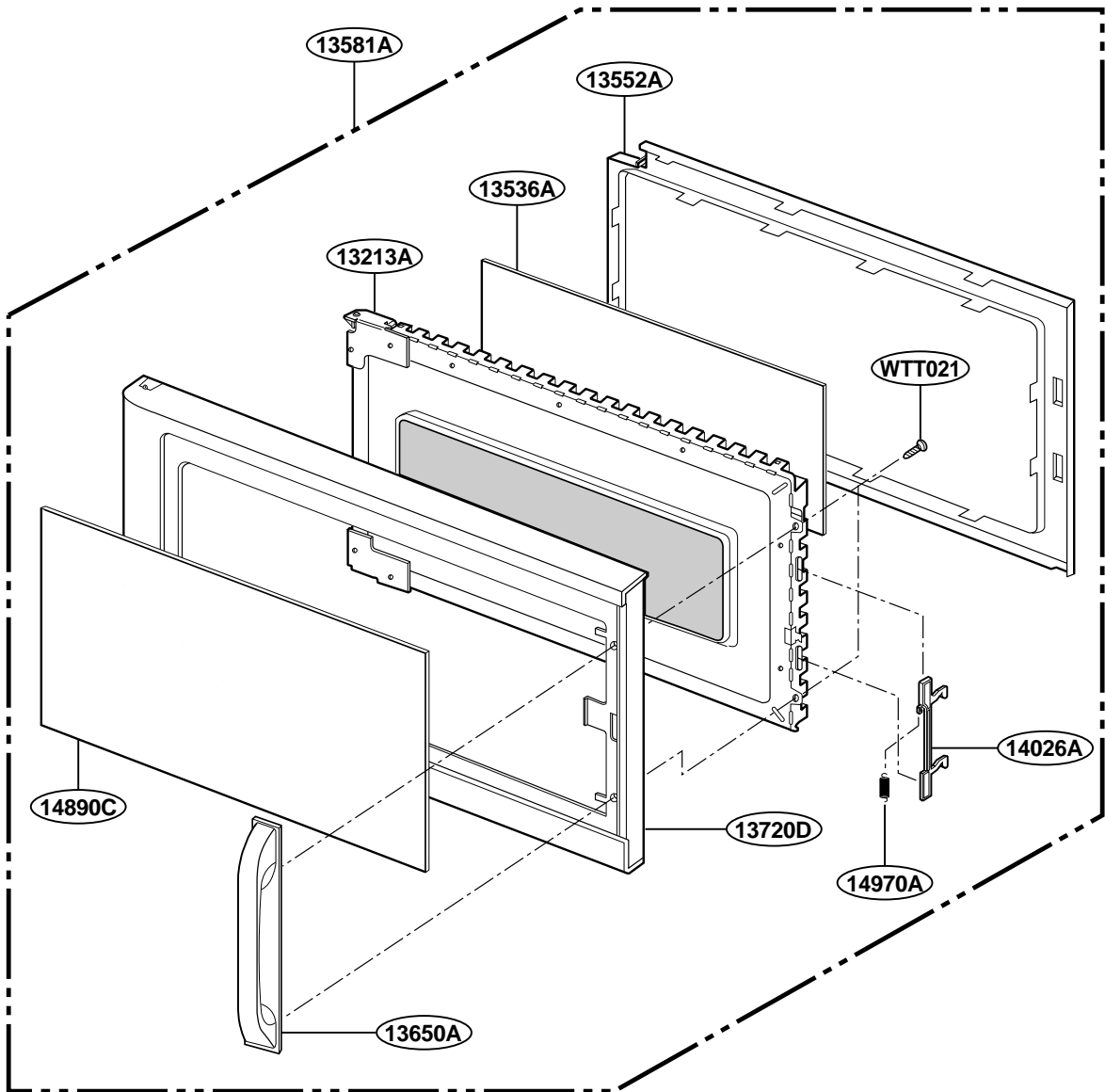
DOOR PARTS



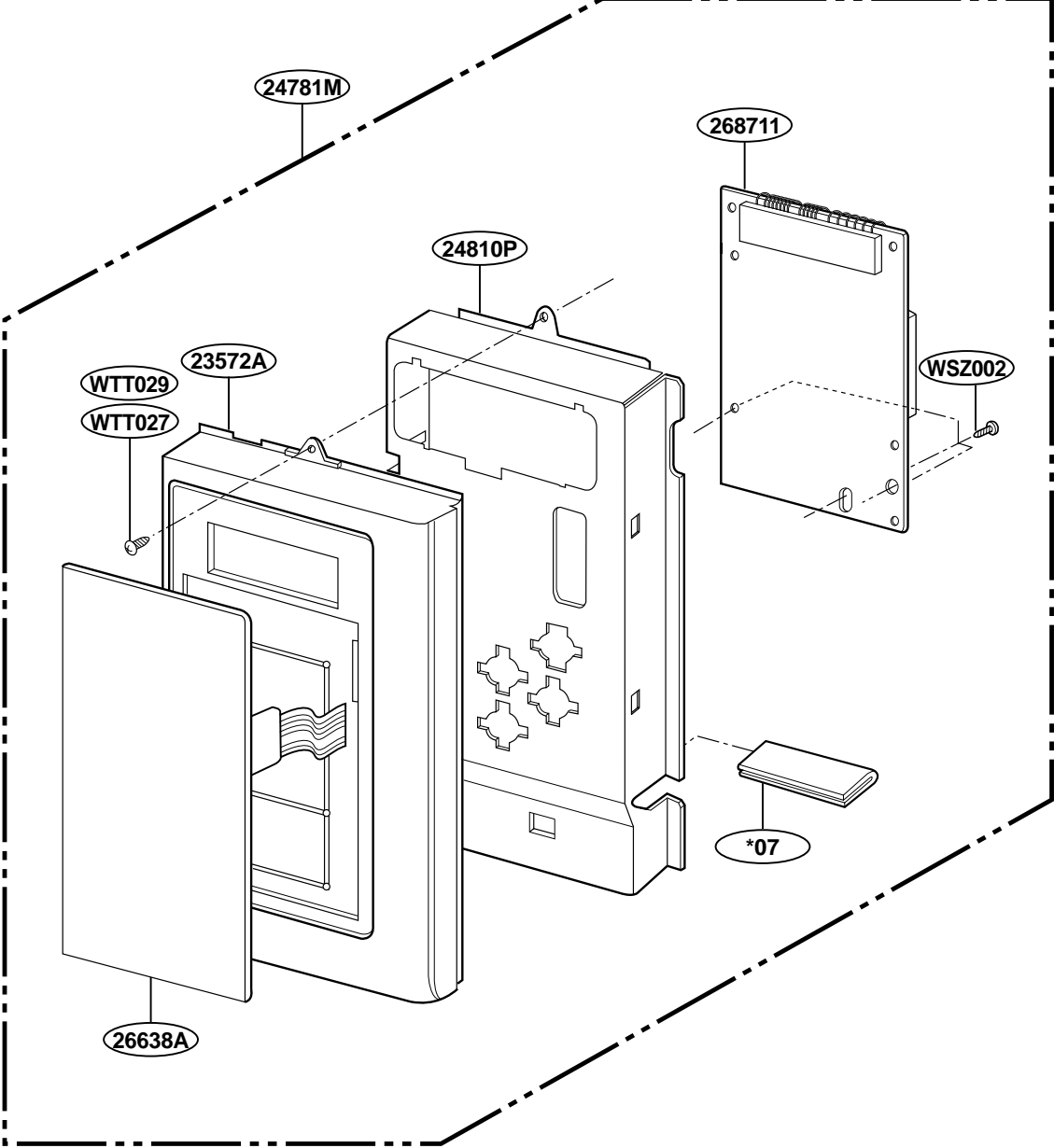
[Find Your WHIRLPOOL Microwave Parts - Select From 1350 Models](#)

----- Manual continues below -----

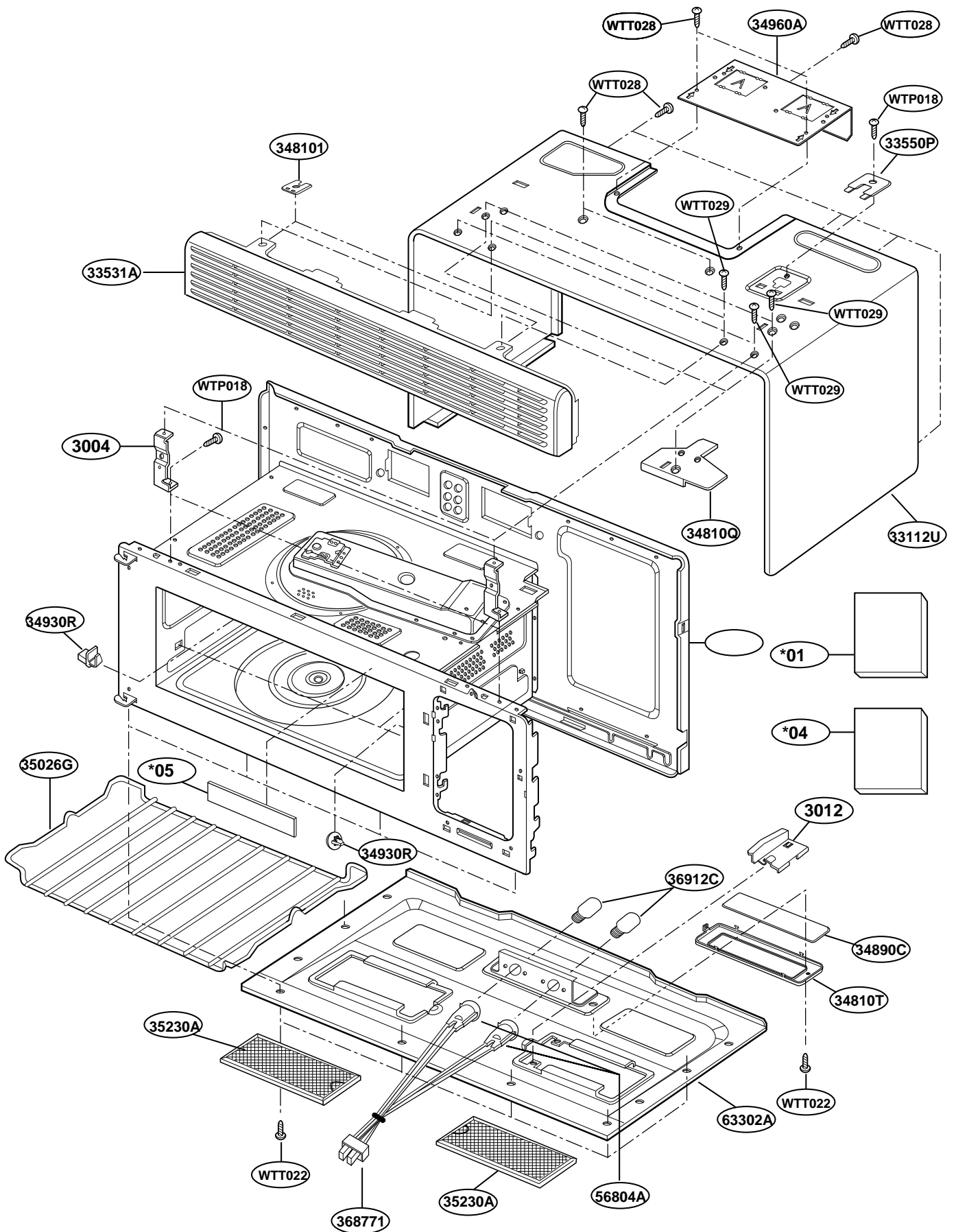
EXPLODED VIEW DOOR PARTS



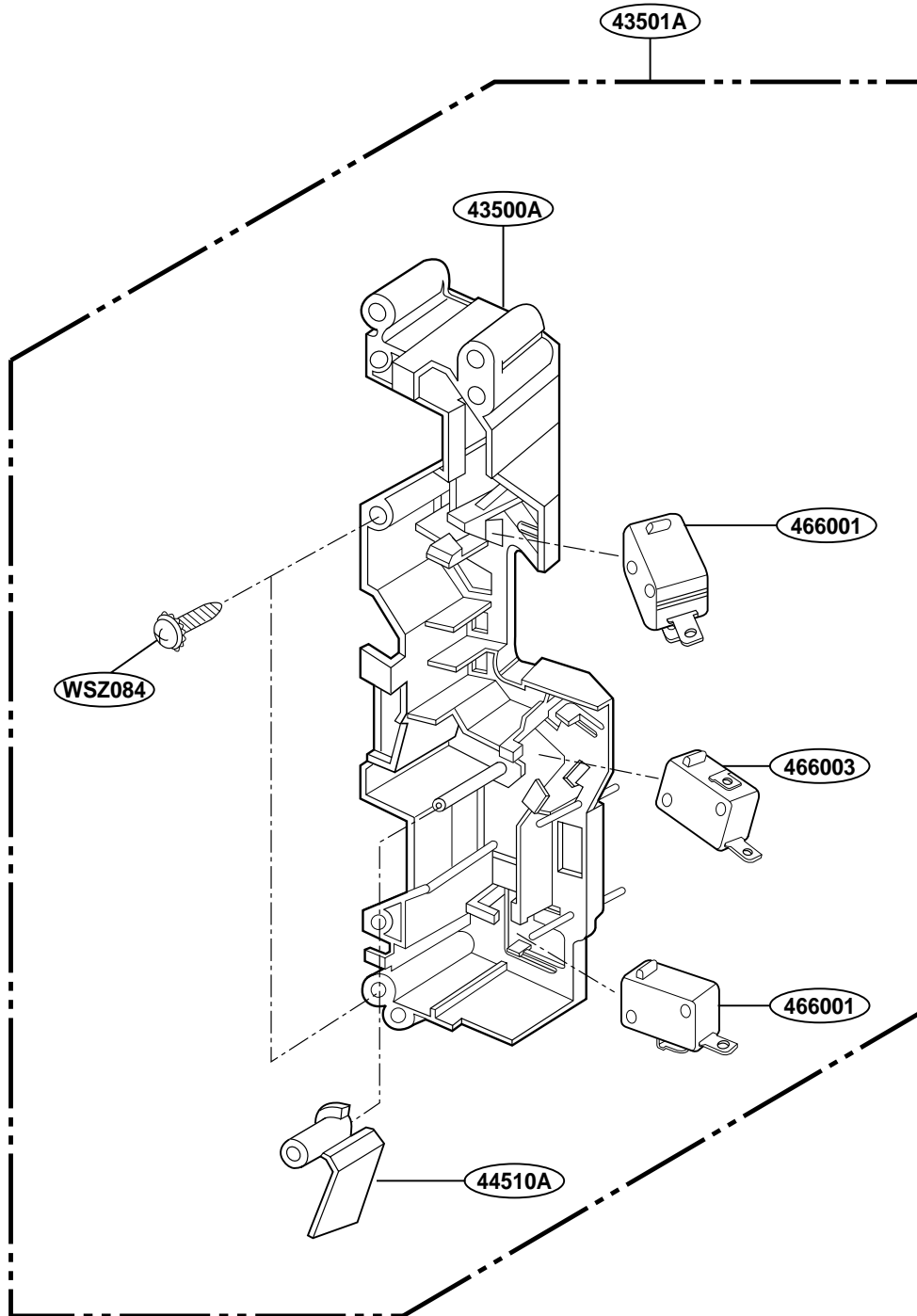
CONTROLLER PARTS



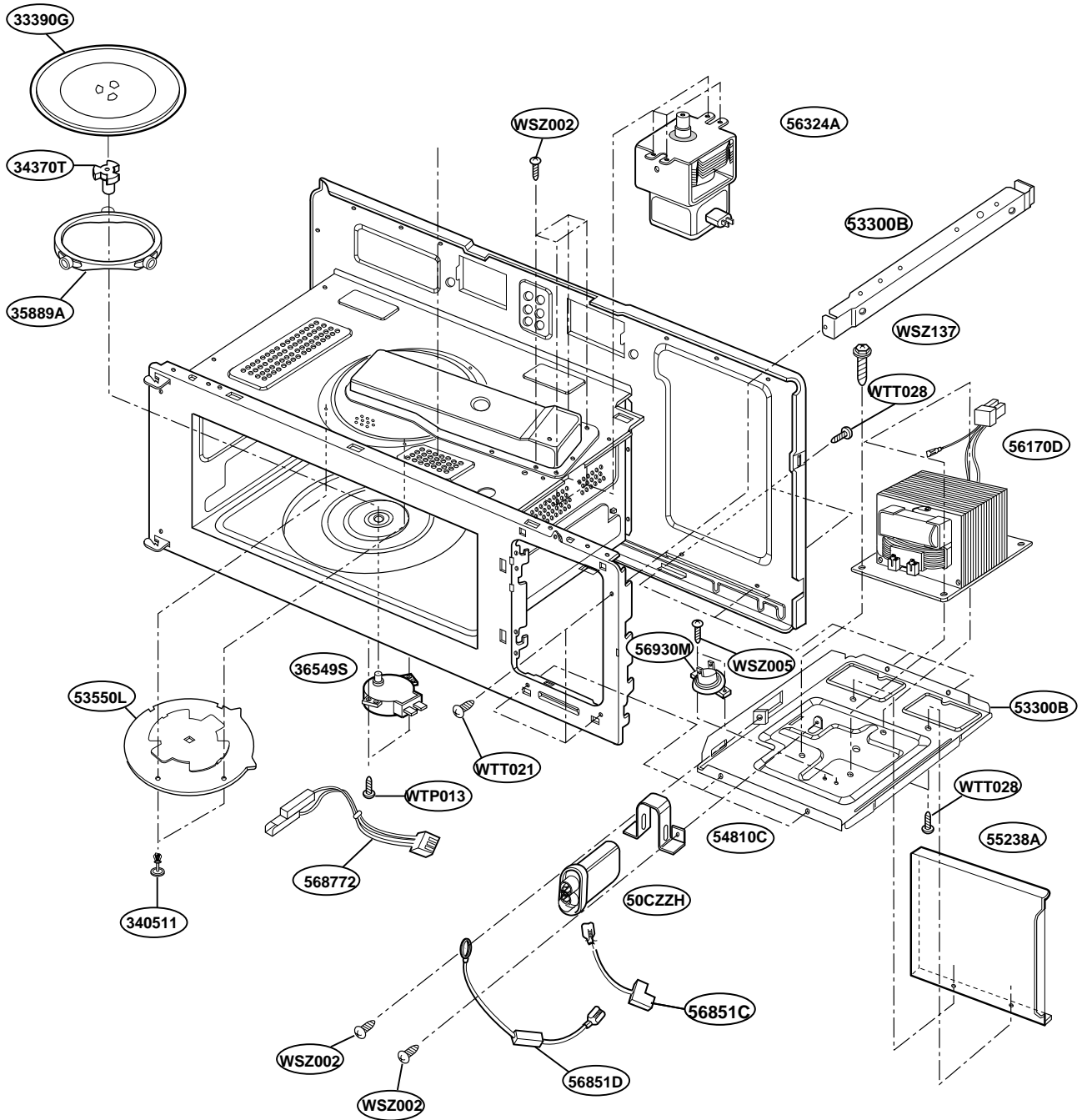
OVEN CAVITY PARTS



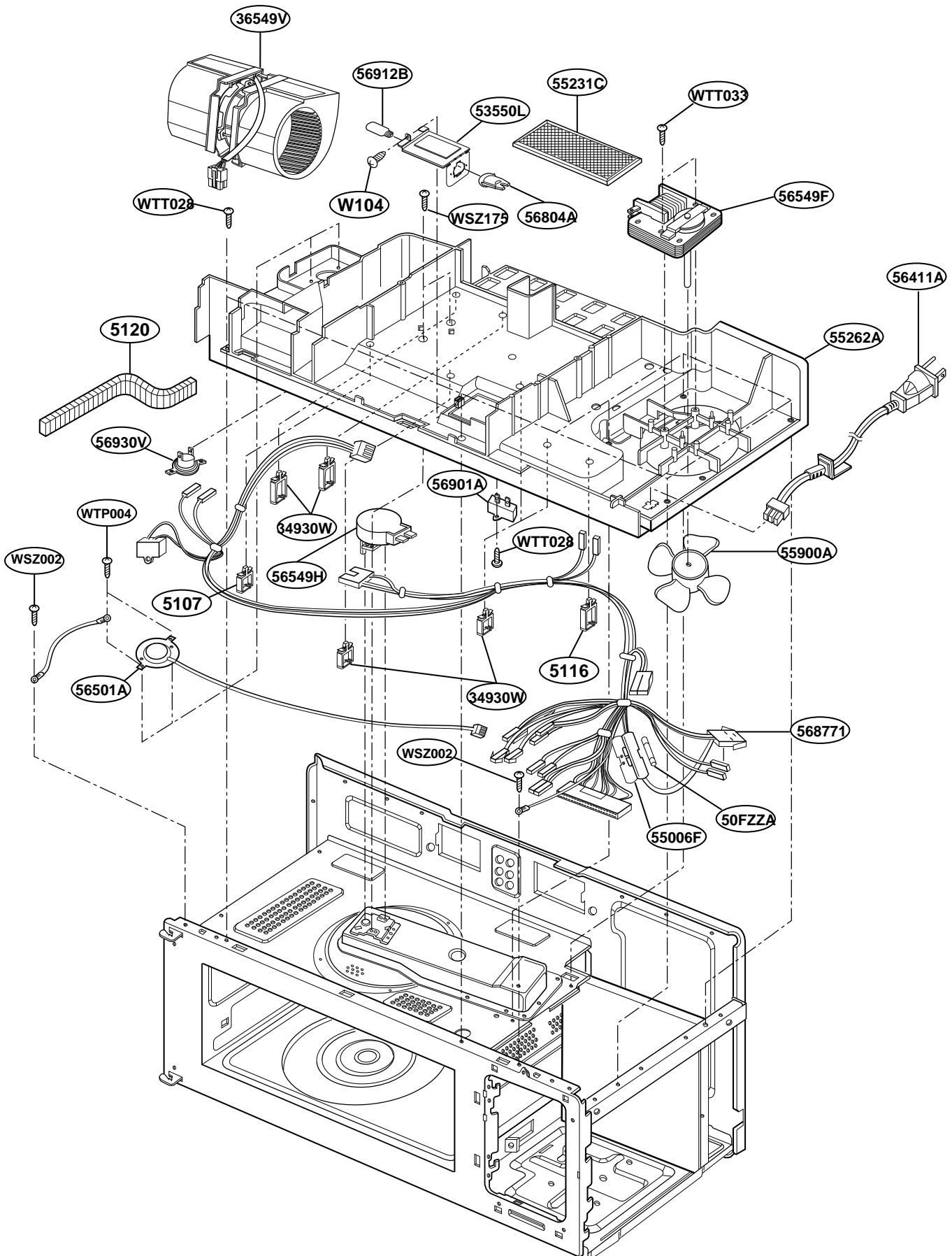
LATCH BOARD PARTS



INTERIOR PARTS (I)



INTERIOR PARTS (II)



INSTALLATION PARTS

