

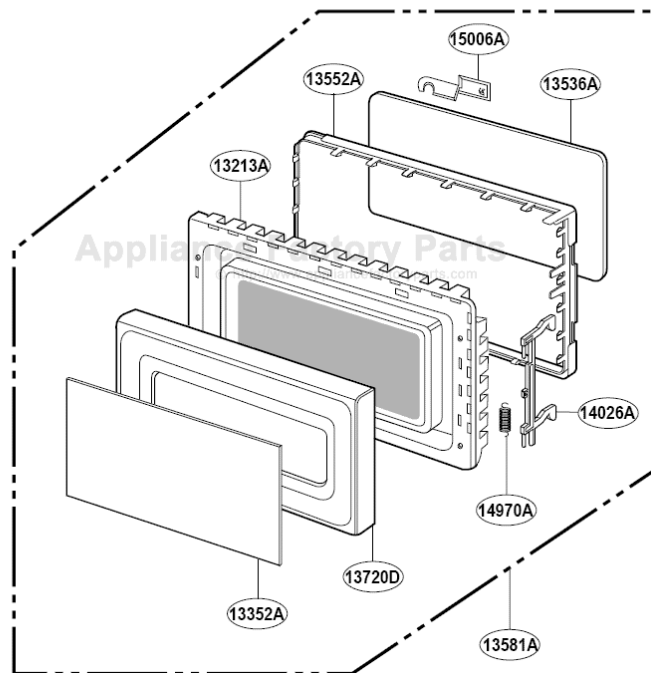
This Owner's Manual is provided and hosted by [Appliance Factory Parts](#).



WHIRLPOOL MT1130SGQ Owner's Manual

[Shop genuine replacement parts for WHIRLPOOL
MT1130SGQ](#)

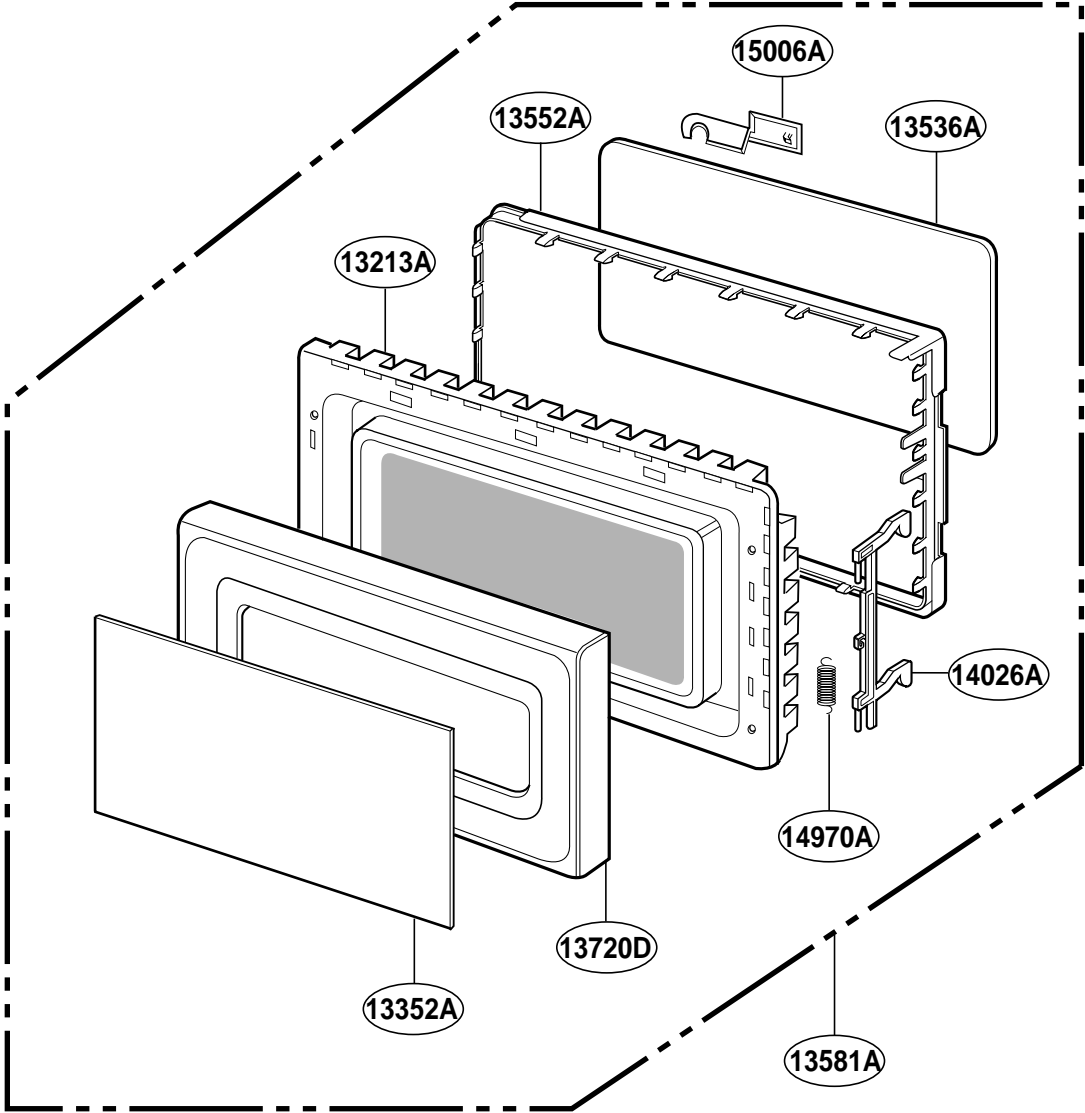
DOOR PARTS



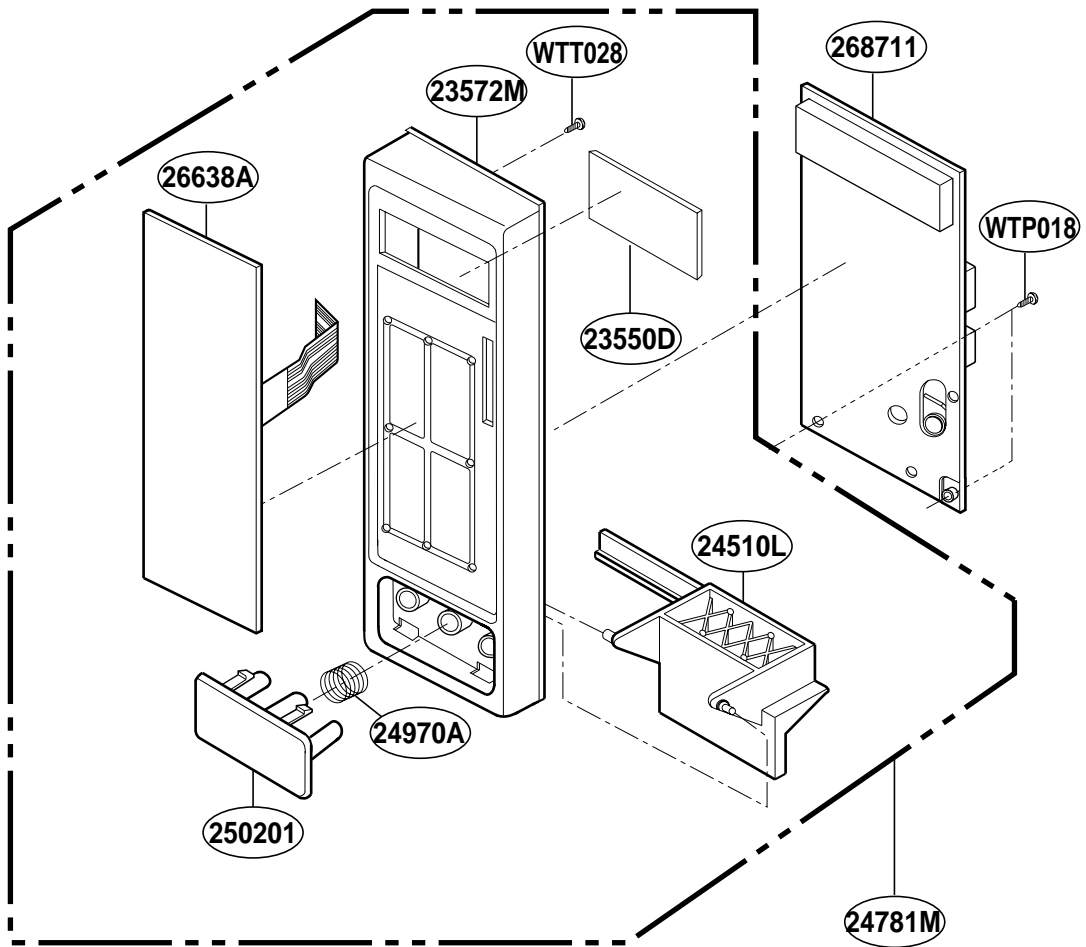
[Find Your WHIRLPOOL Microwave Parts - Select From 1350 Models](#)

----- Manual continues below -----

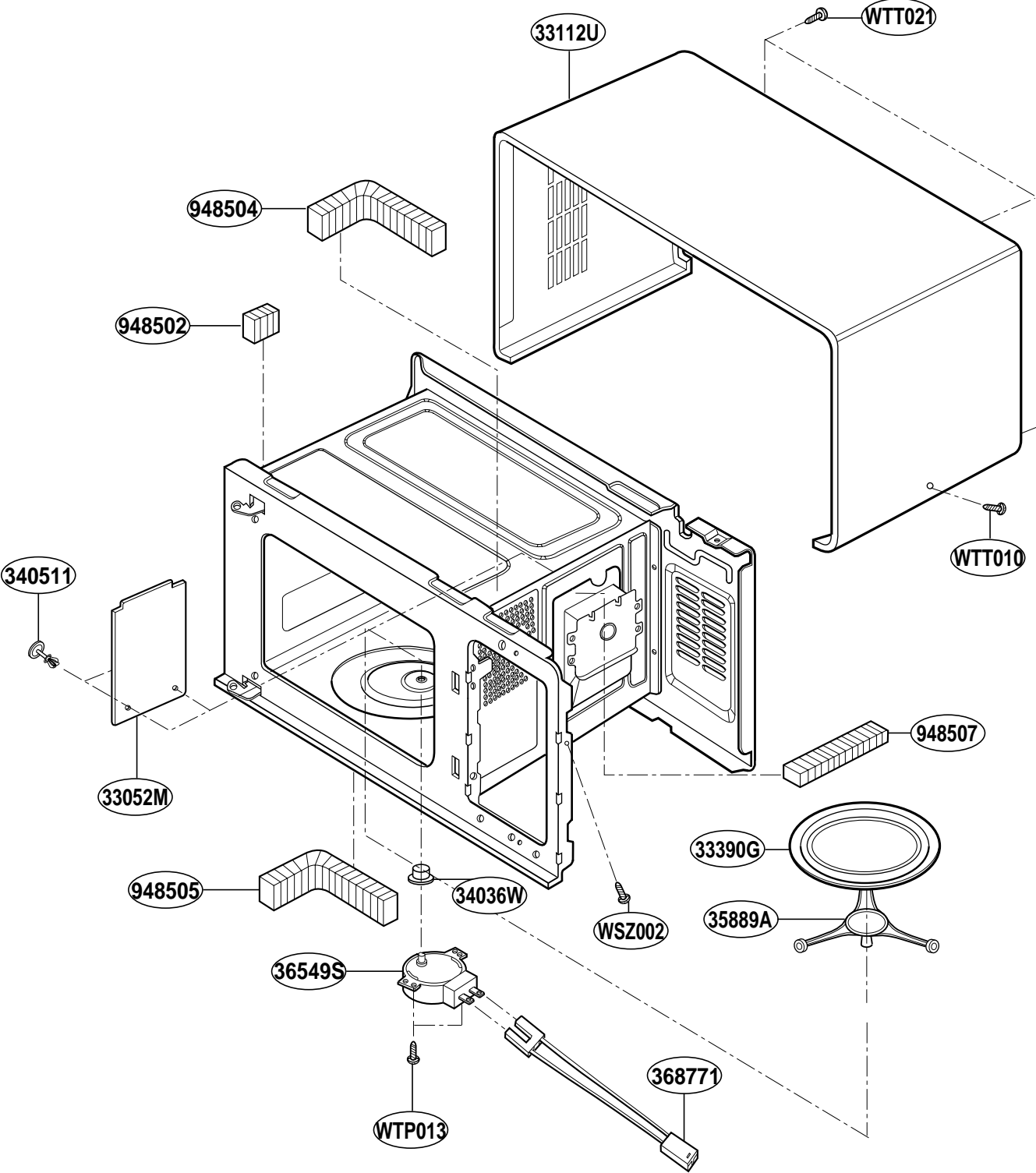
DOOR PARTS



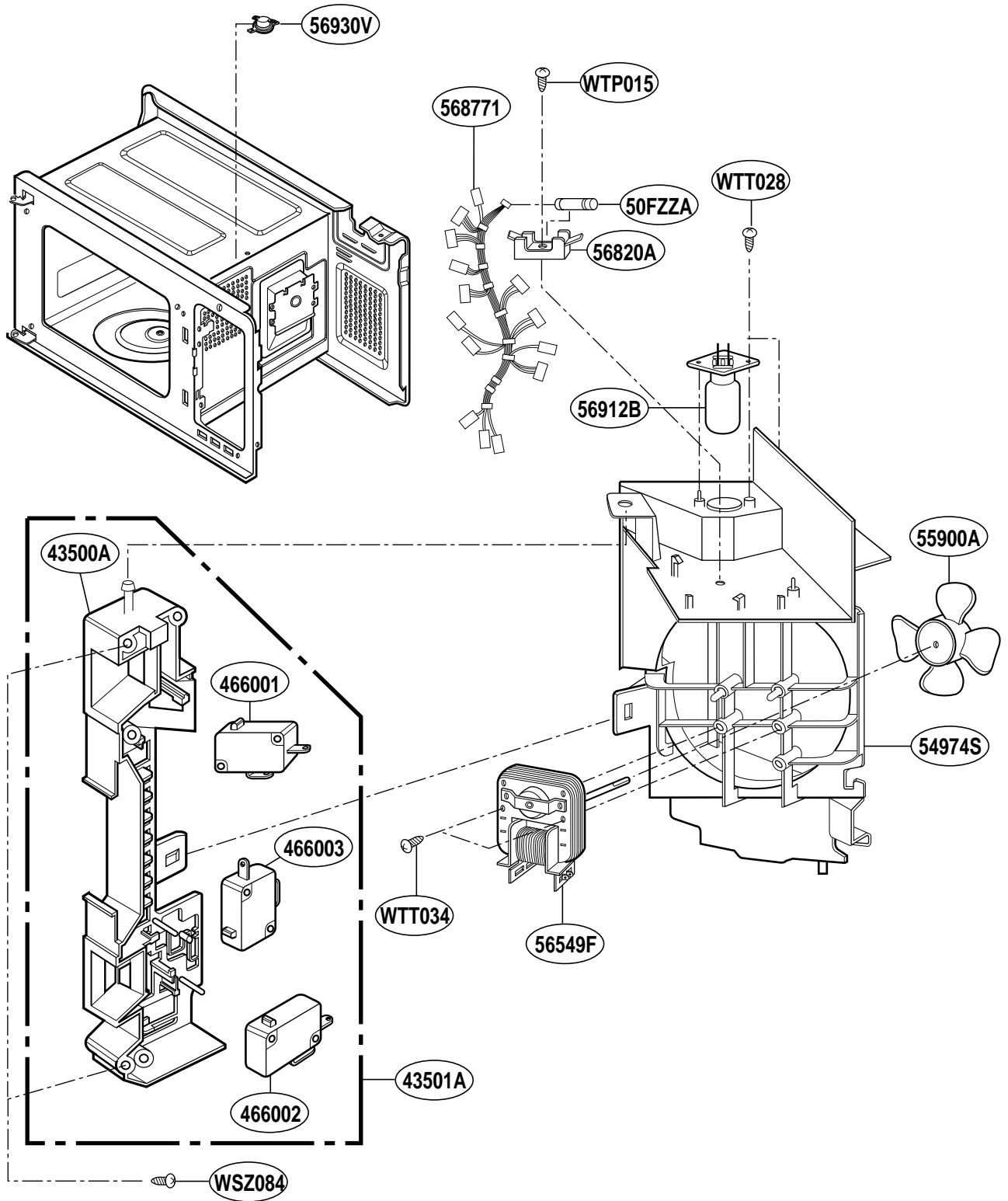
CONTROLLER PARTS



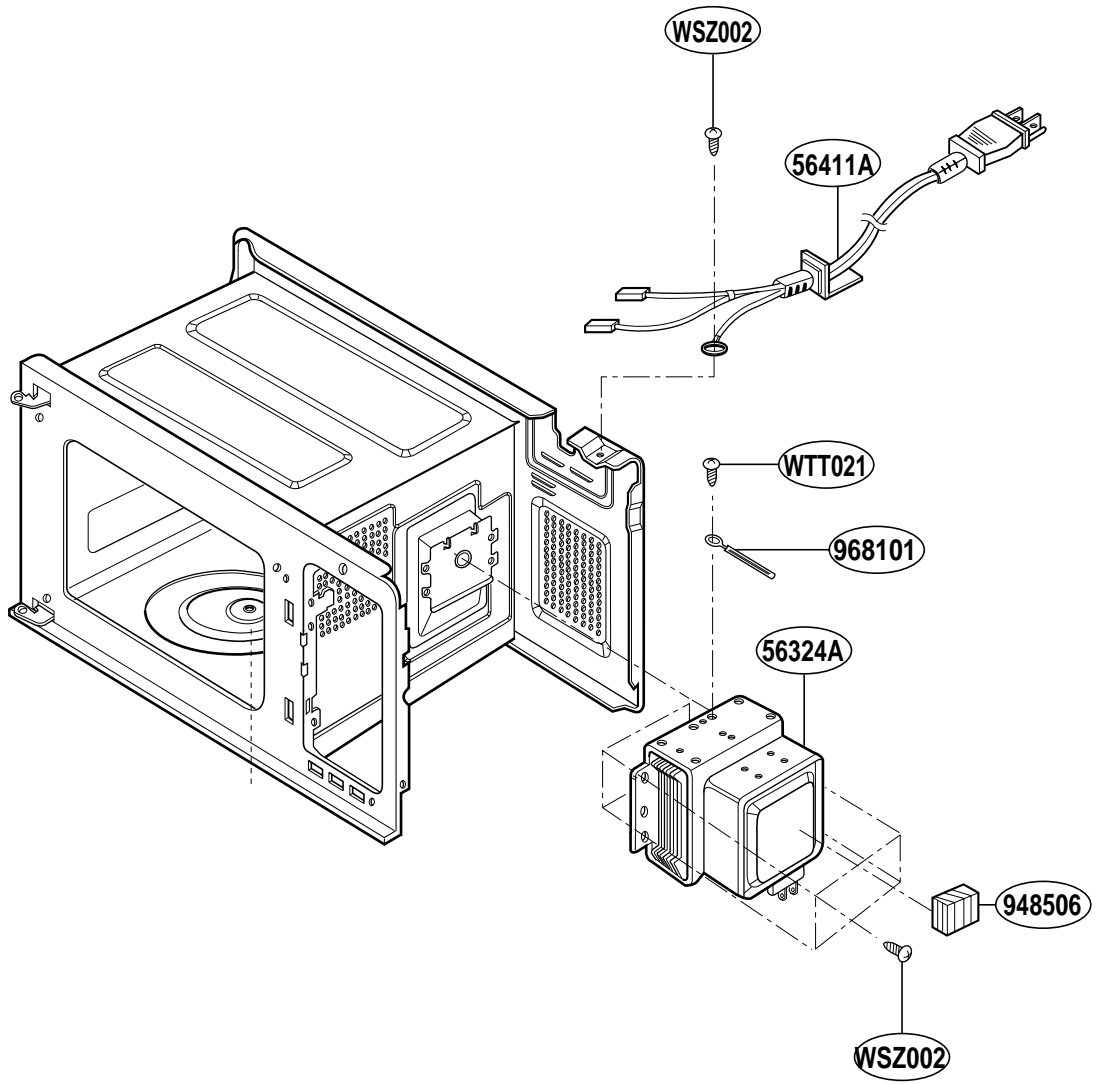
OVEN CAVITY PARTS



SUCTION GUIDE PARTS



INTERIOR PARTS



BASE PLATE PARTS

