

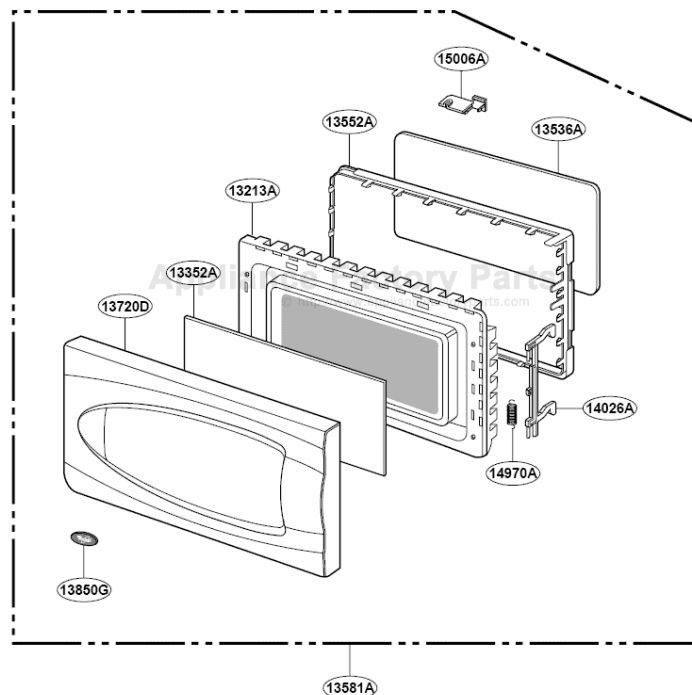
This Owner's Manual is provided and hosted by [Appliance Factory Parts](#).



WHIRLPOOL MT2110SJB Owner's Manual

[Shop genuine replacement parts for WHIRLPOOL
MT2110SJB](#)

DOOR PARTS MT2110SJ



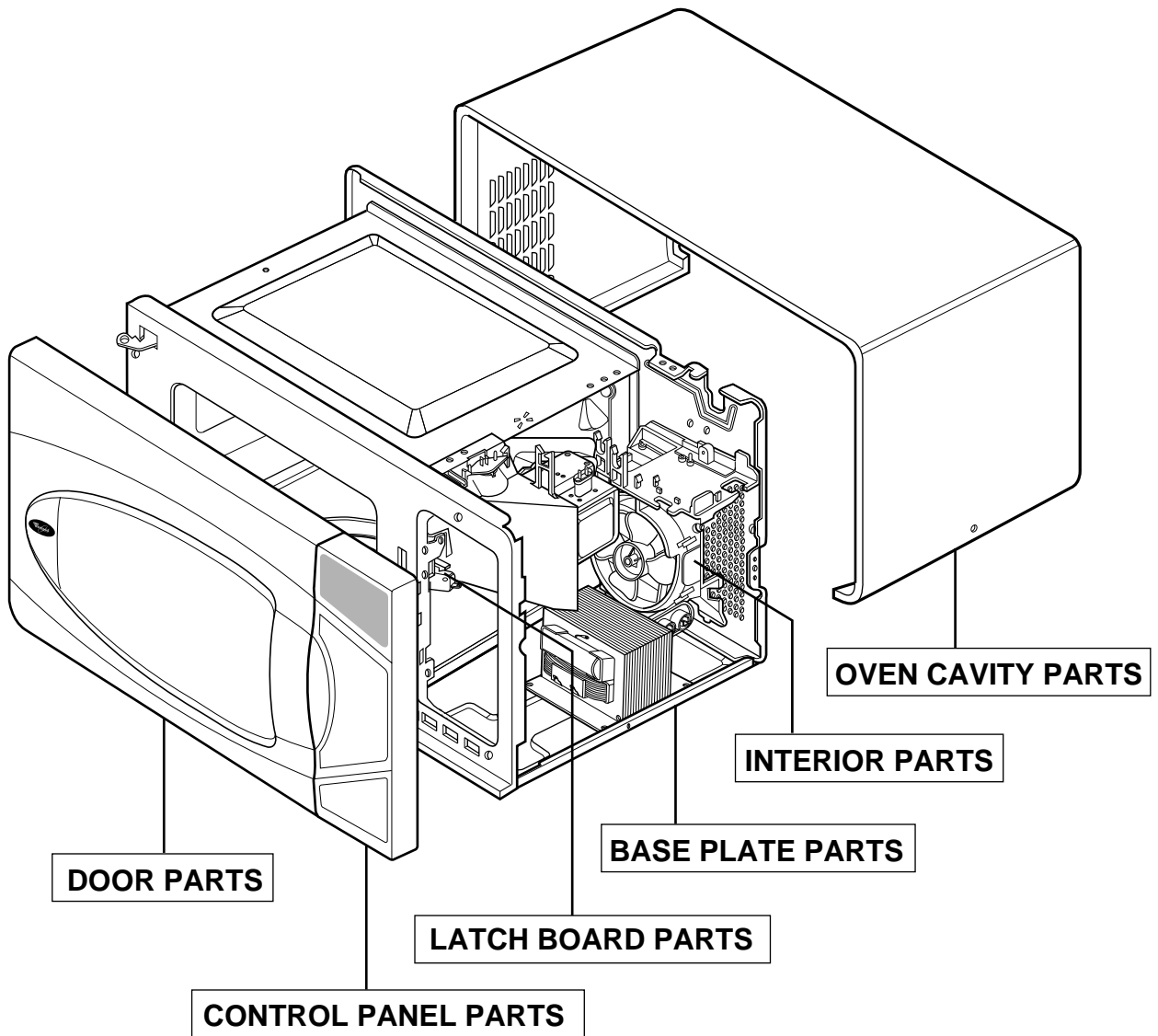
[Find Your WHIRLPOOL Microwave Parts - Select From 1350 Models](#)

----- Manual continues below -----

EXPLODED VIEW

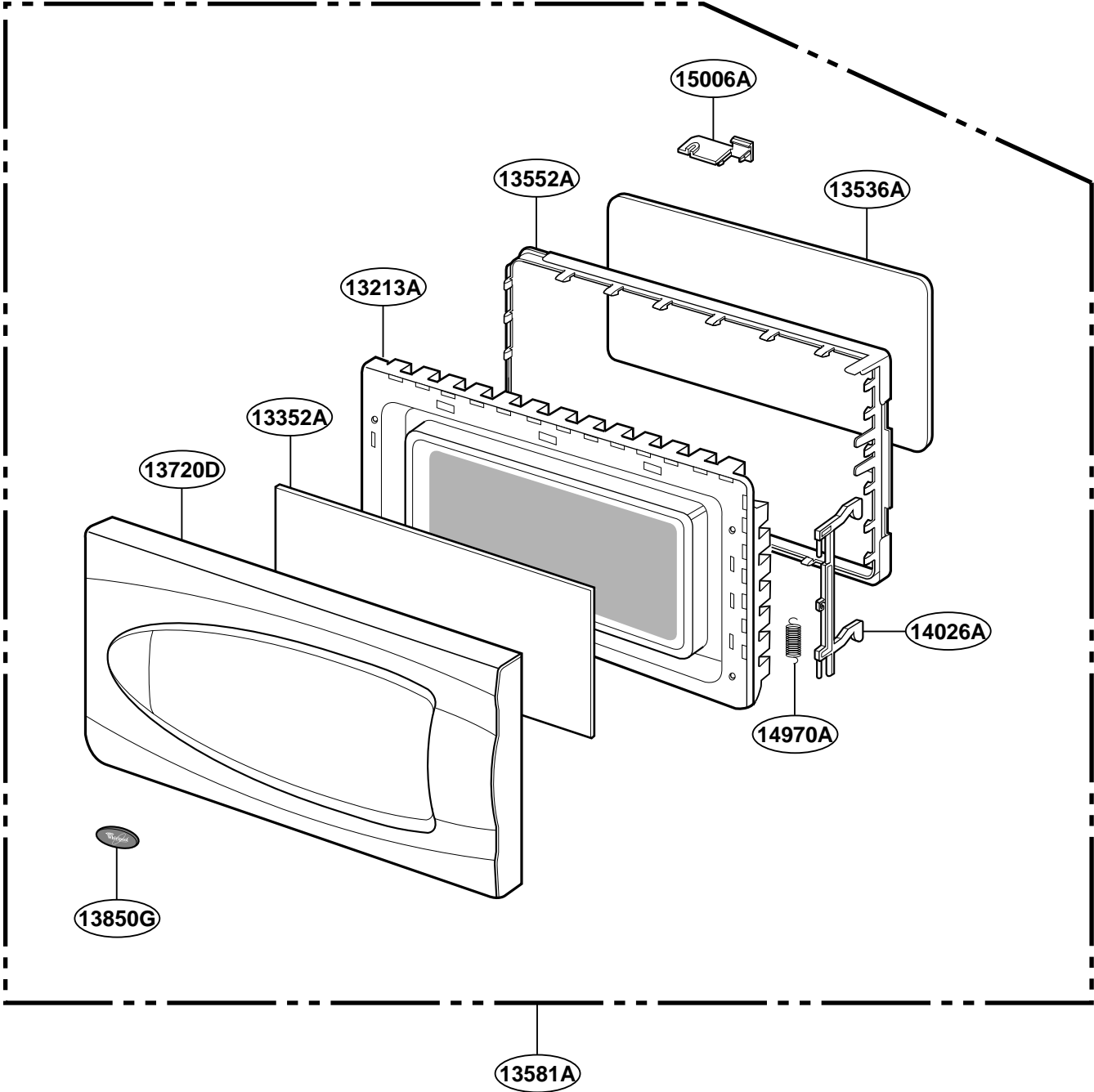
INTRODUCTION

MT2110SJ



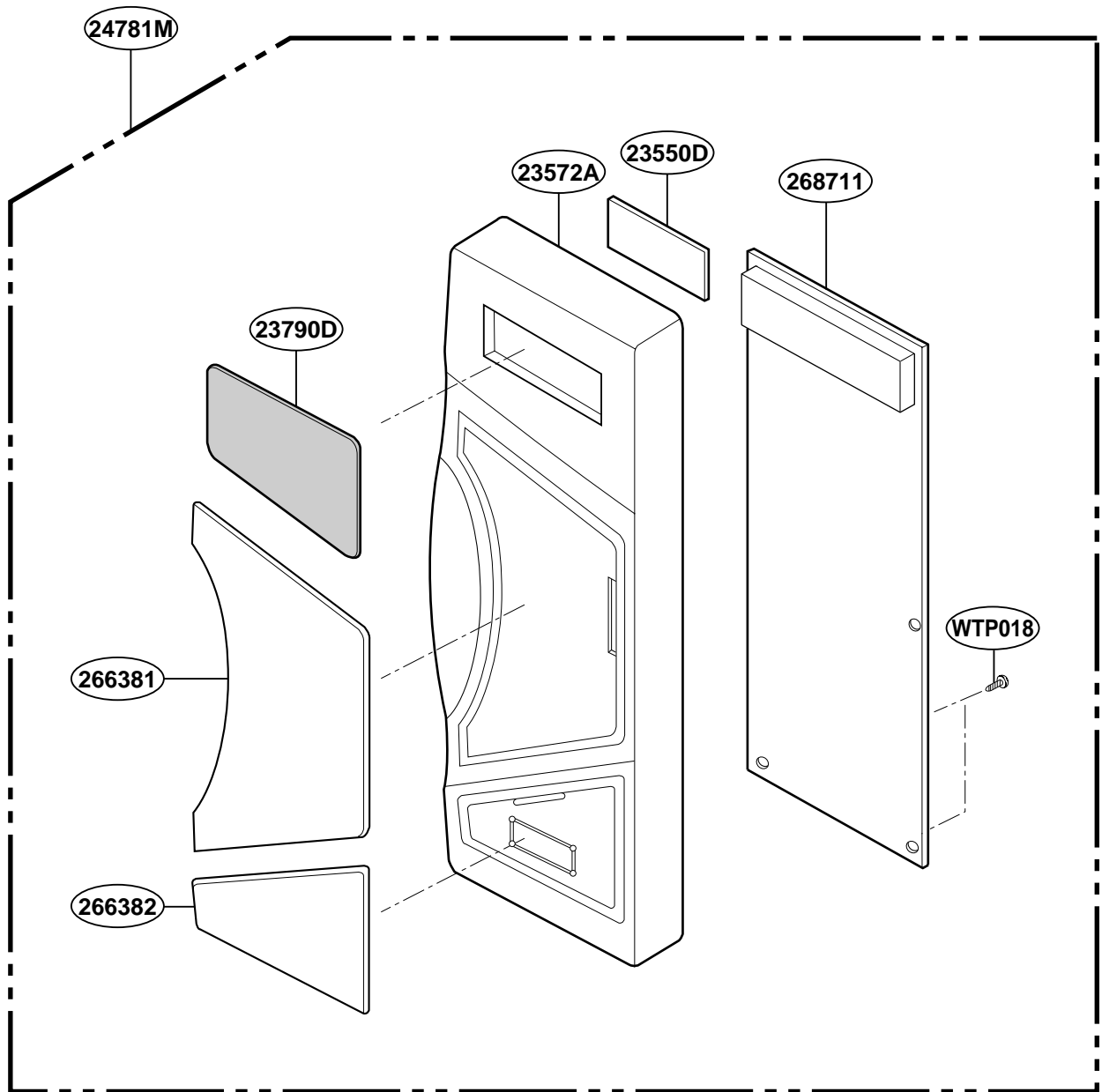
DOOR PARTS

MT2110SJ



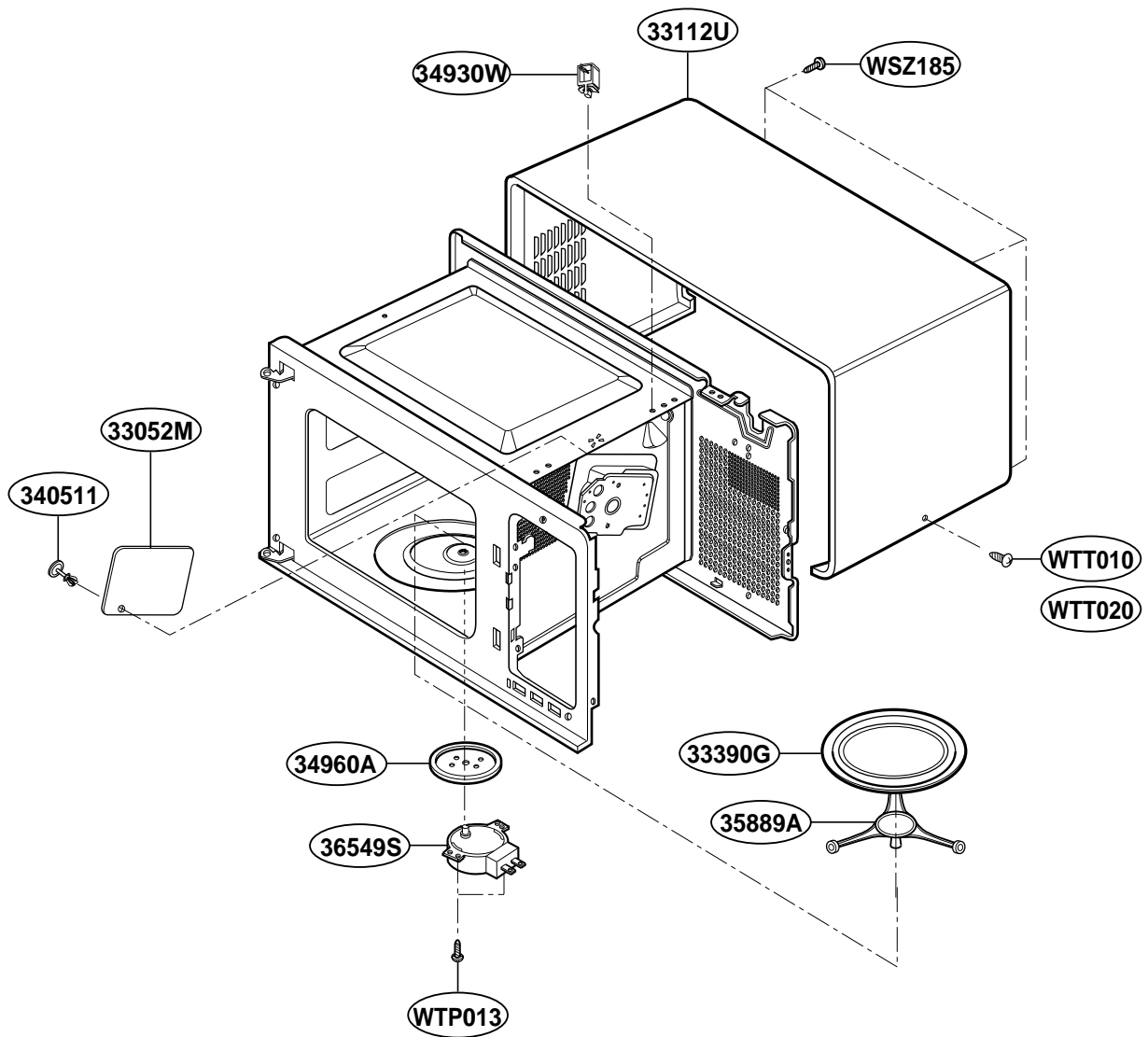
CONTROL PANEL PARTS

MT2110SJ



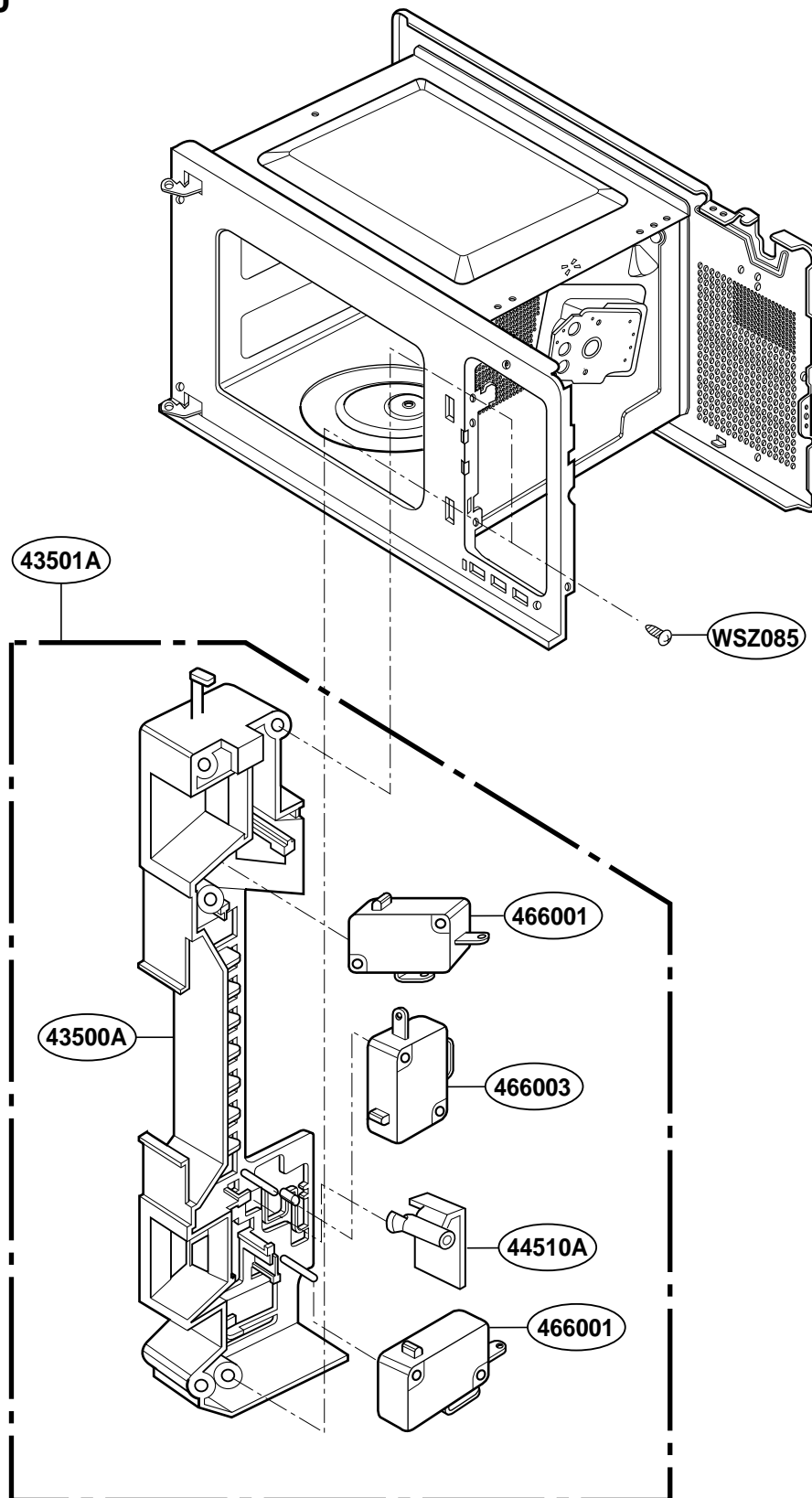
OVEN CAVITY PARTS

MT2110SJ



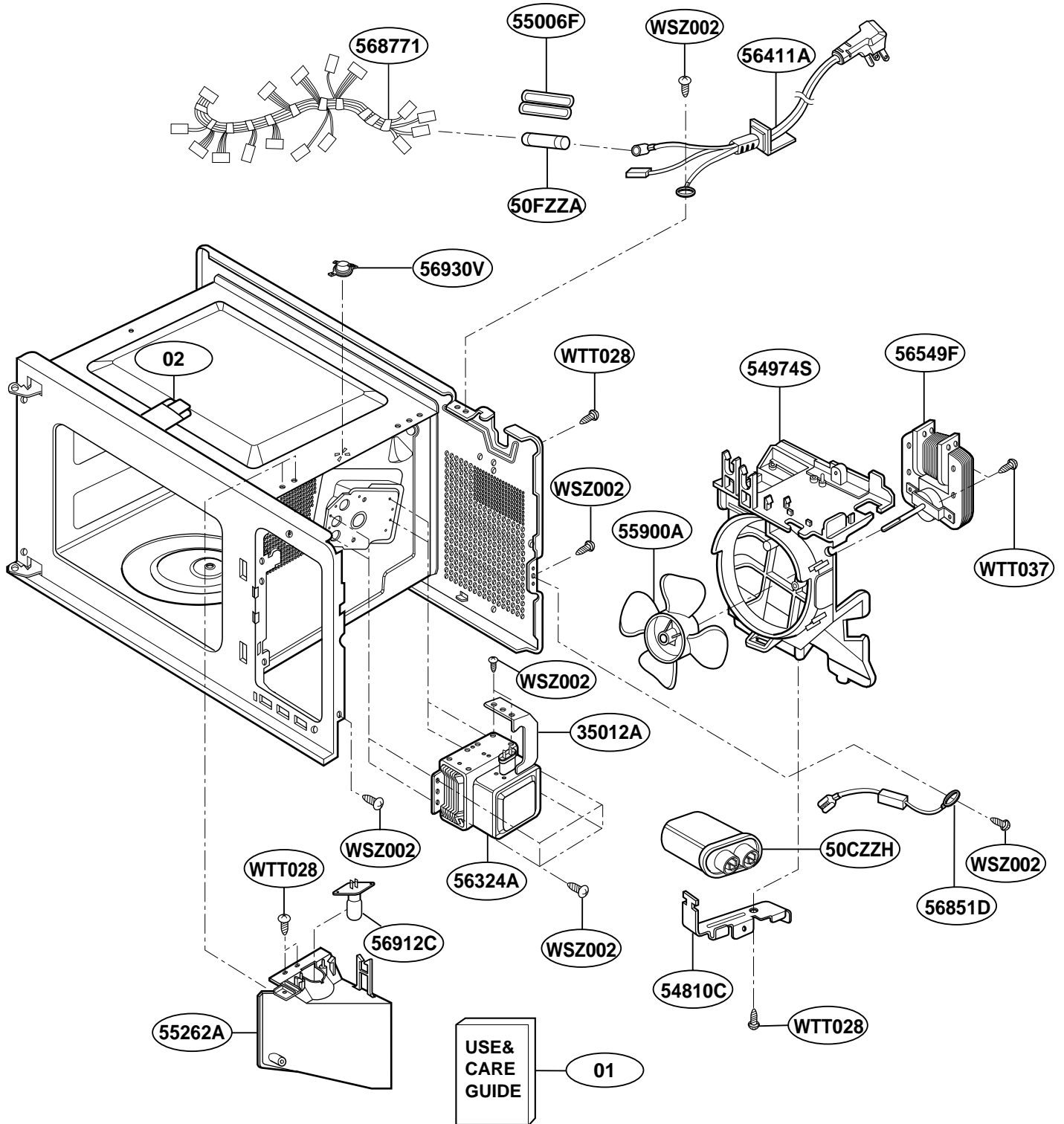
LATCH BOARD PARTS

MT2110SJ



INTERIOR PARTS

MT2110SJ



BASE PLATE PARTS

MT2110SJ

