

This Owner's Manual is provided and hosted by [Appliance Factory Parts](#).

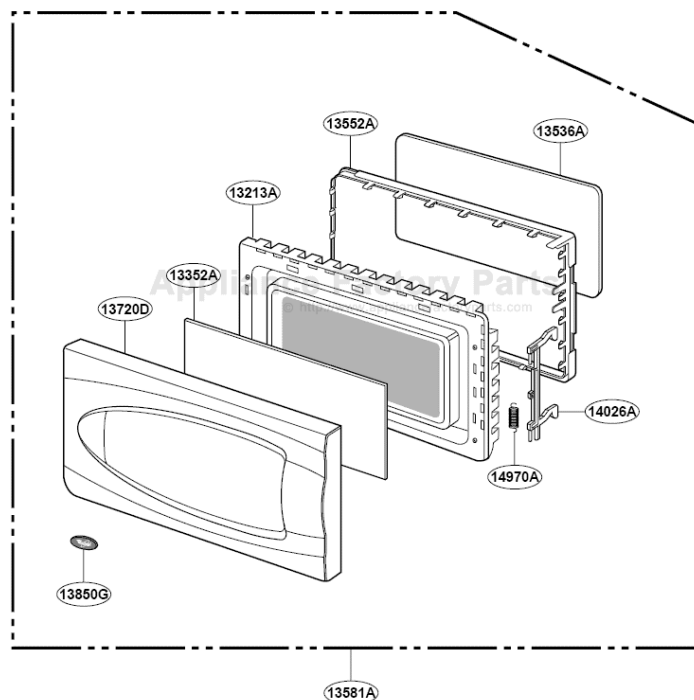


# WHIRLPOOL MT2210SJQ Owner's Manual

[Shop genuine replacement parts for WHIRLPOOL  
MT2210SJQ](#)

## DOOR PARTS

MT2210SJ



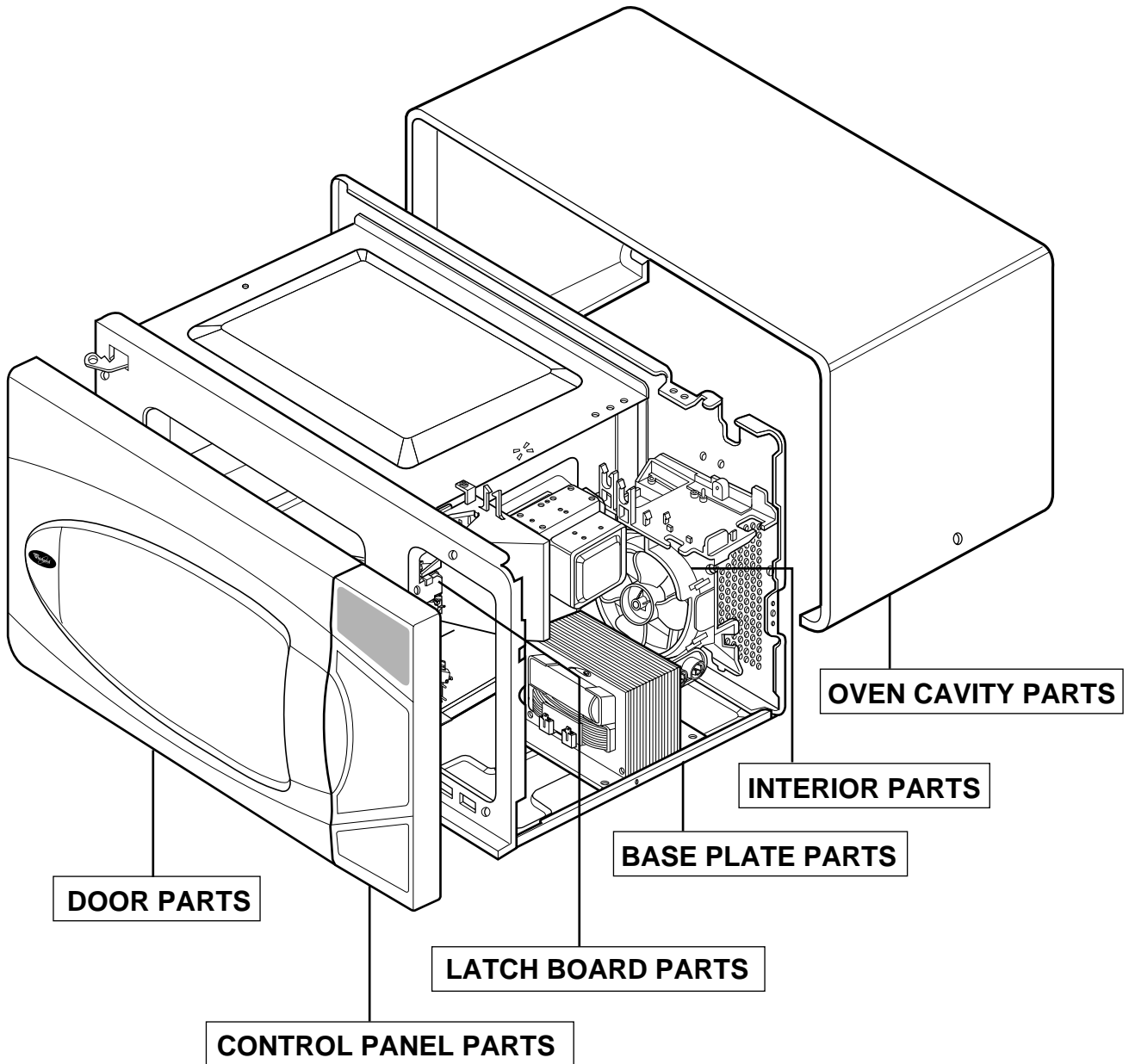
[Find Your WHIRLPOOL Microwave Parts - Select From 1350 Models](#)

----- Manual continues below -----

# EXPLODED VIEW

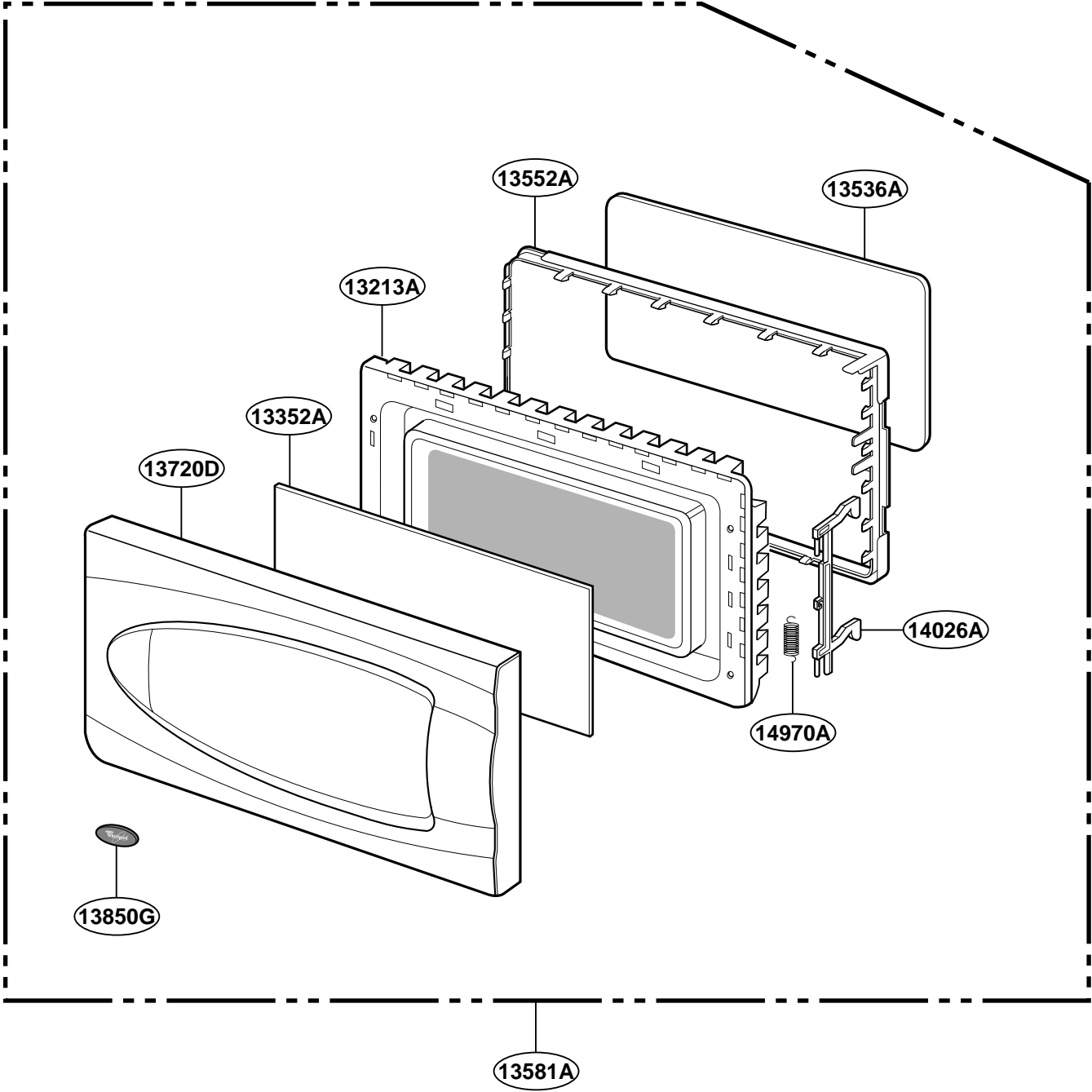
## INTRODUCTION

MT2210SJ



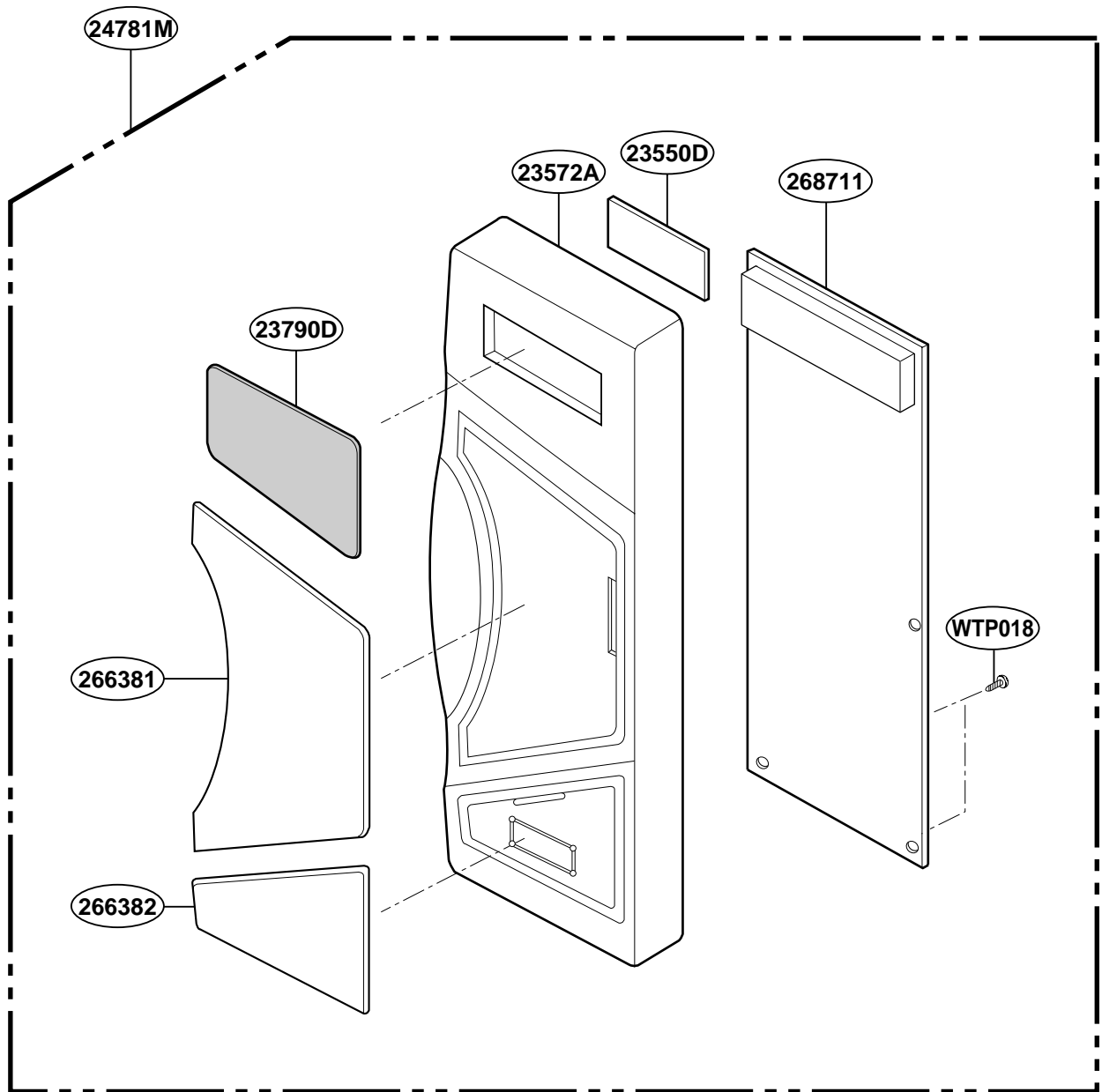
# DOOR PARTS

MT2210SJ



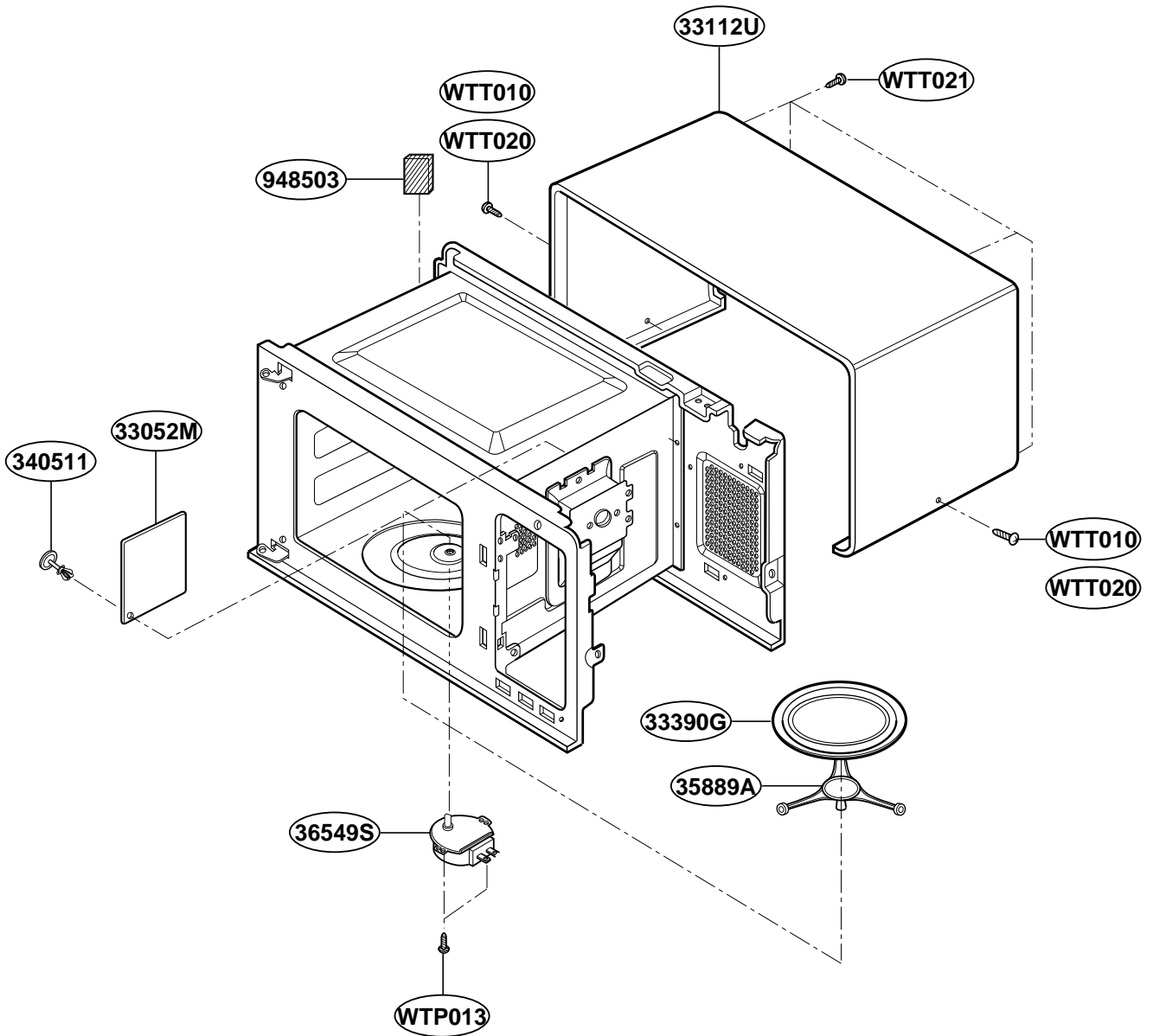
# CONTROL PANEL PARTS

MT2210SJ



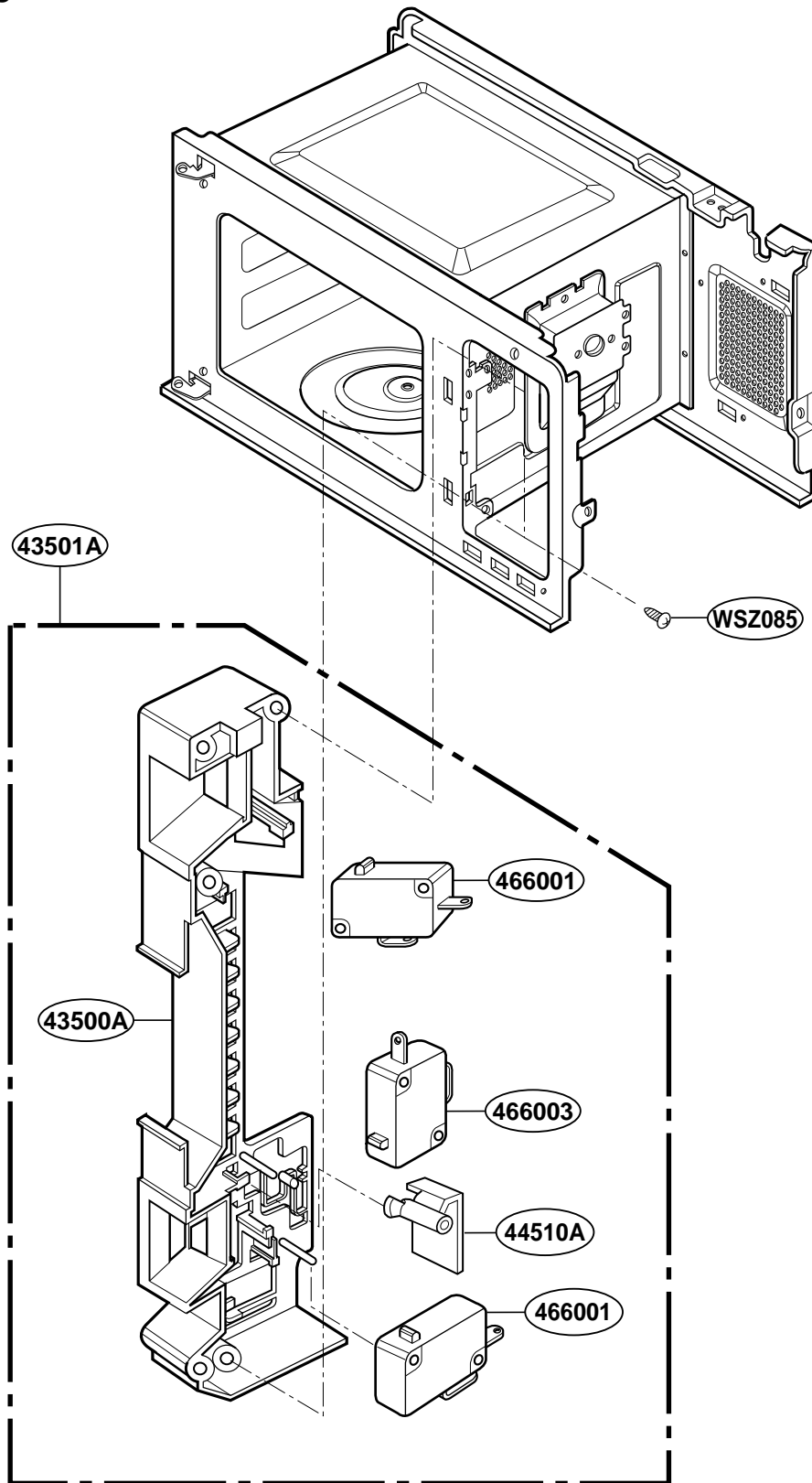
# OVEN CAVITY PARTS

MT2210SJ



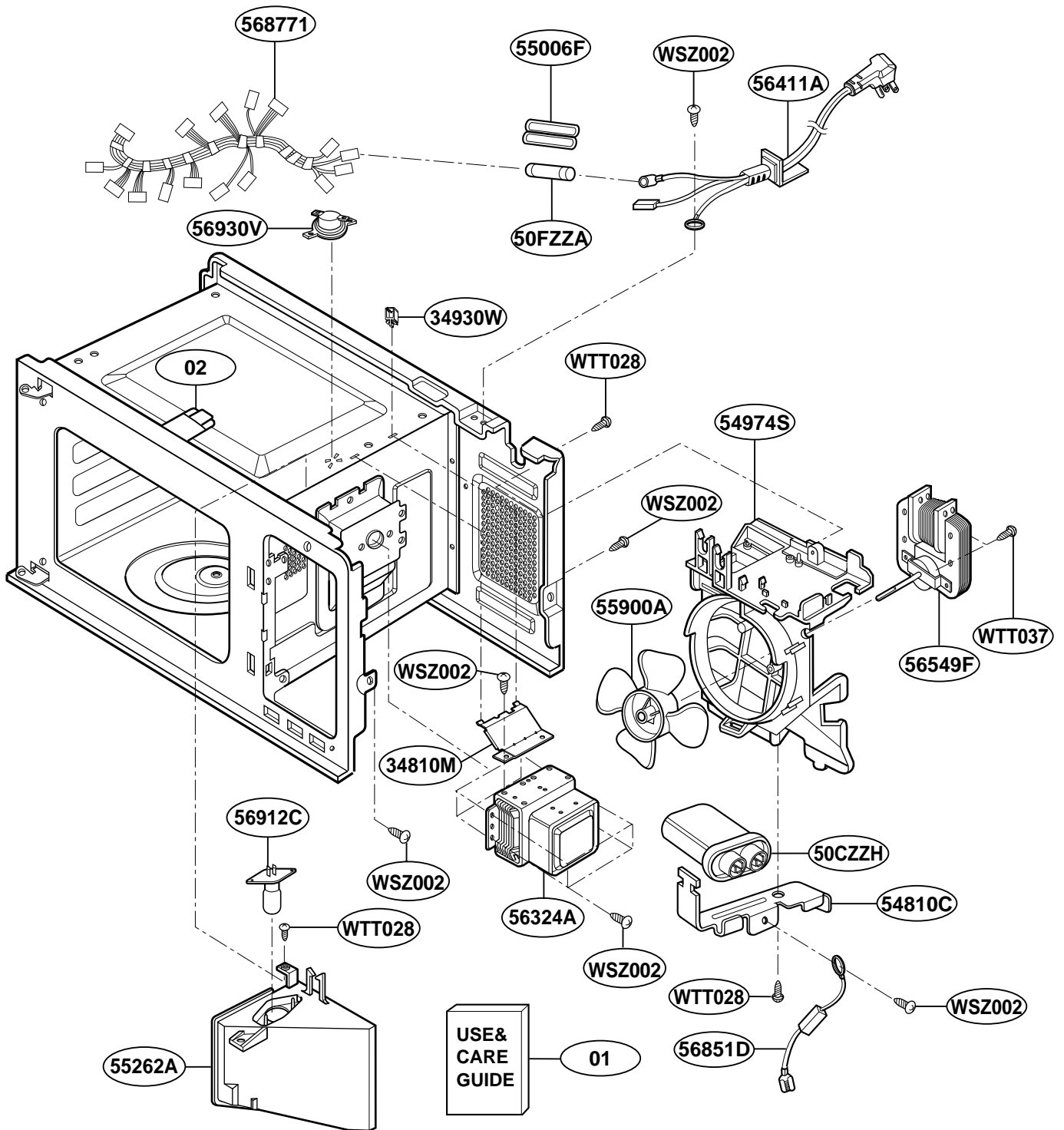
# LATCH BOARD PARTS

MT2210SJ



# INTERIOR PARTS

MT2210SJ



# BASE PLATE PARTS

MT2210SJ

