

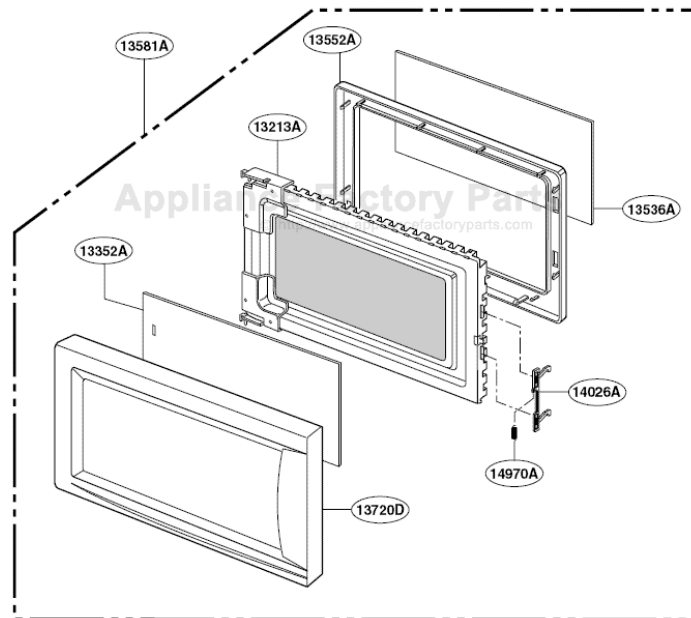
This Owner's Manual is provided and hosted by Appliance Factory Parts.



WHIRLPOOL MT4078SPB-1 Owner's Manual

[Shop genuine replacement parts for WHIRLPOOL
MT4078SPB-1](#)

DOOR PARTS



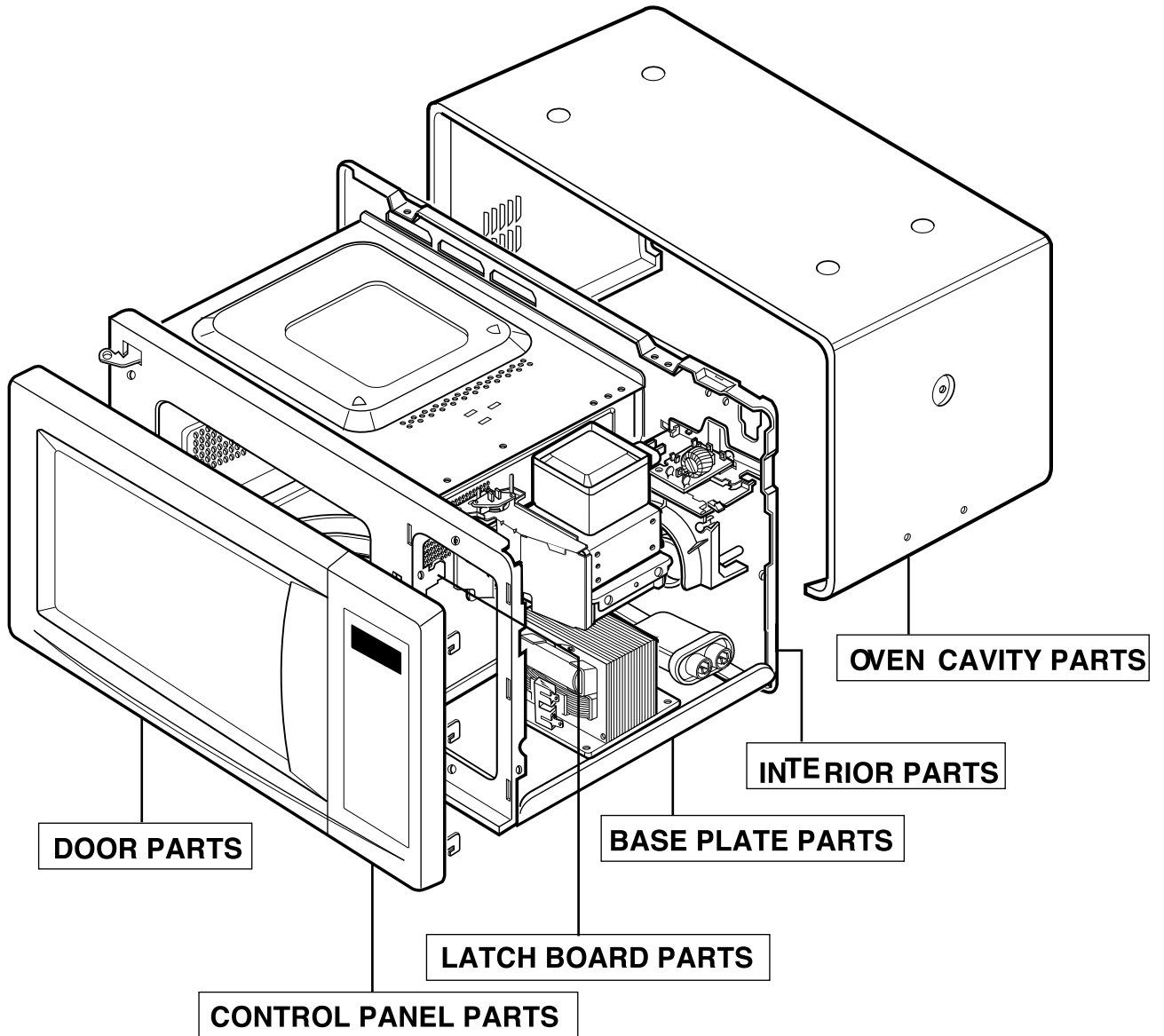
[Find Your WHIRLPOOL Microwave Parts - Select From 1350 Models](#)

----- Manual continues below -----

EXPLODED VIEW

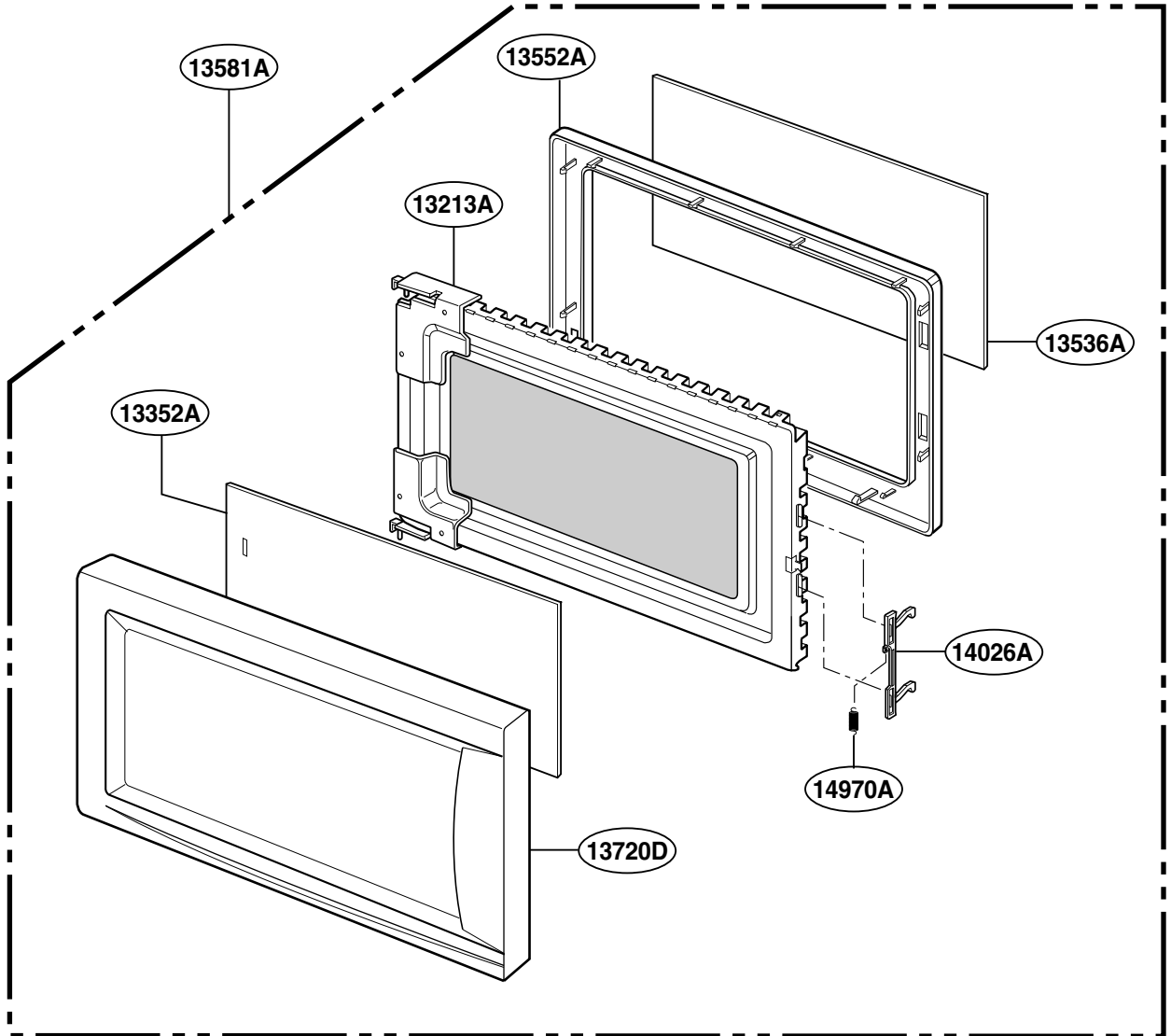
INTRODUCTION

Model : MT4078SP

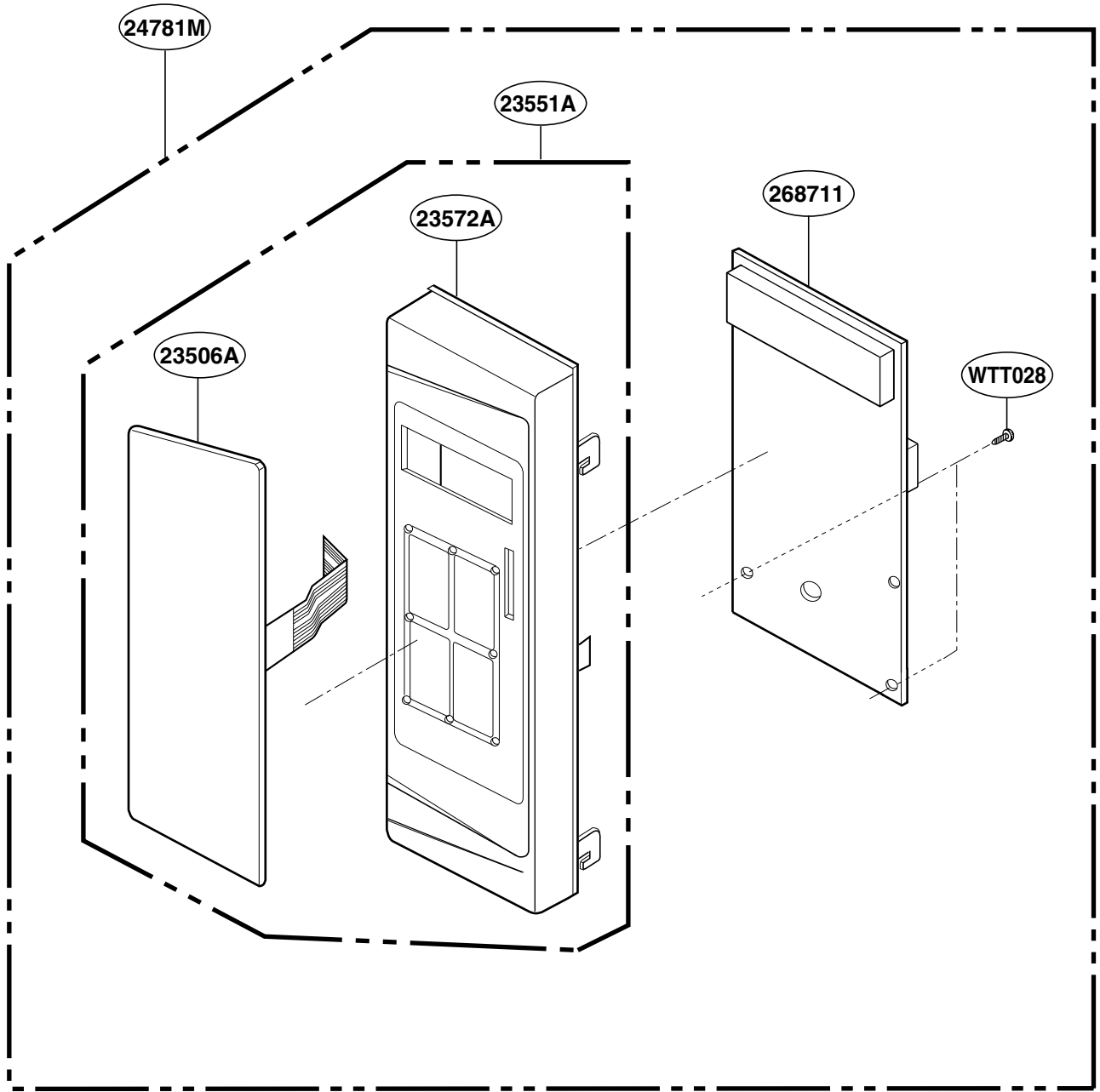


P/NO : 3828W5S3901

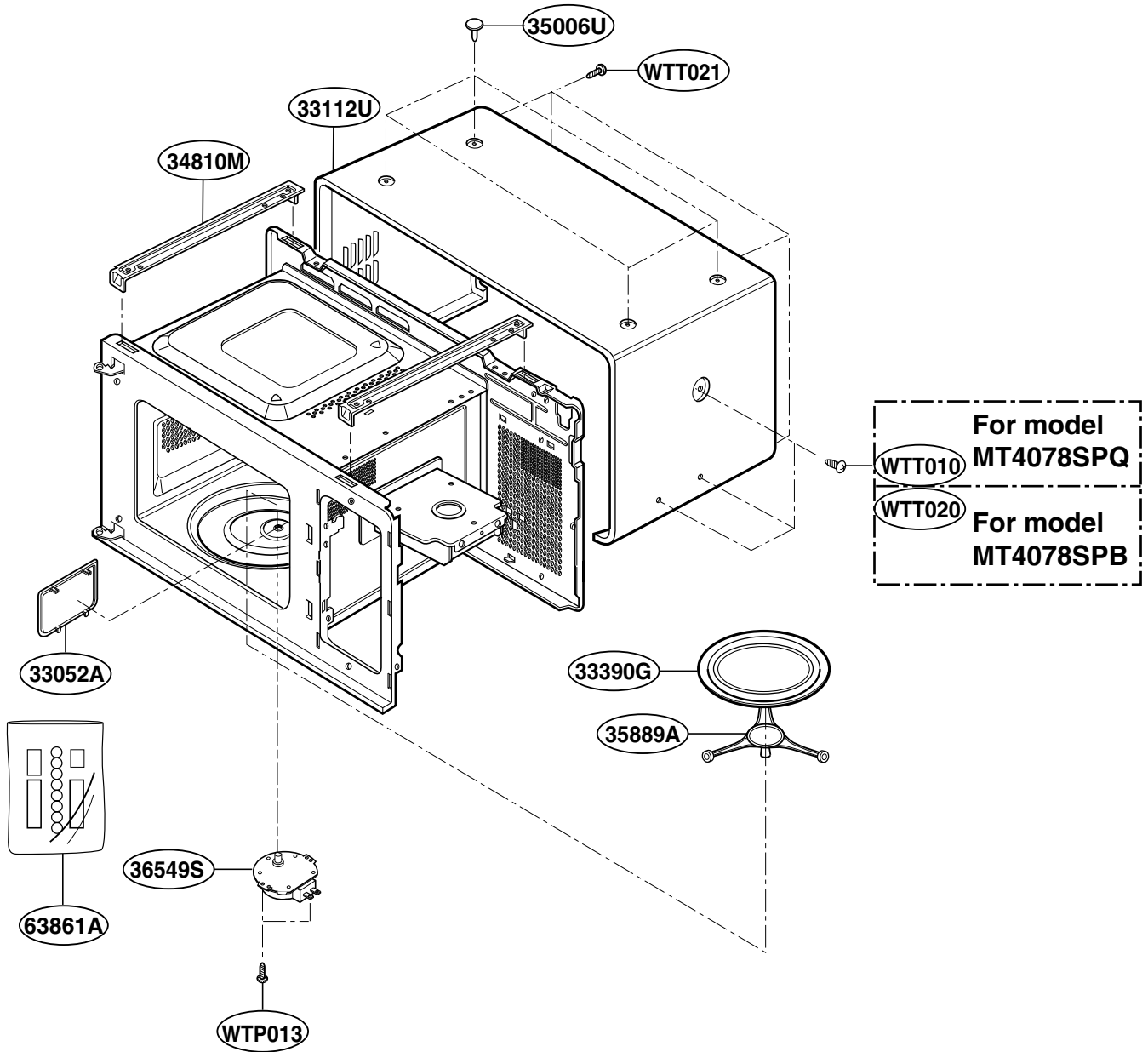
DOOR PARTS



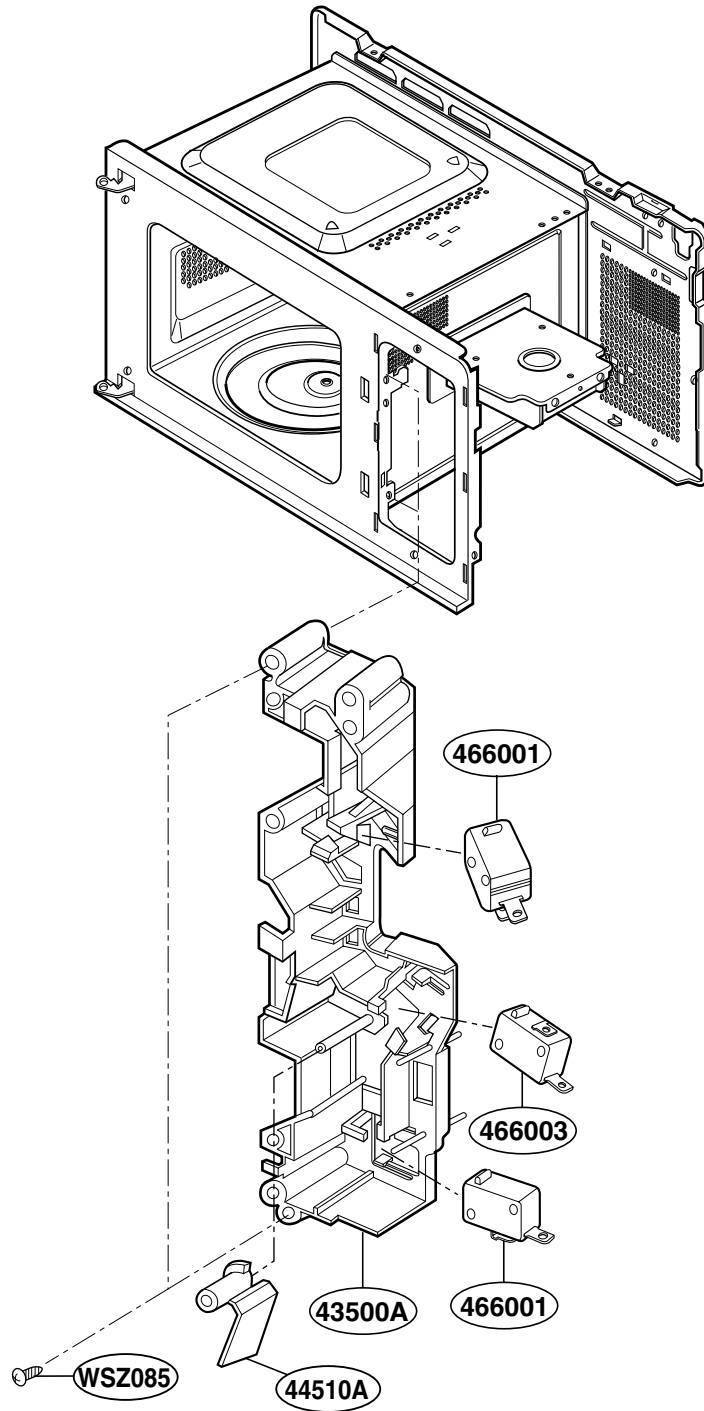
CONTROLLER PARTS



OVEN CAVITY PARTS



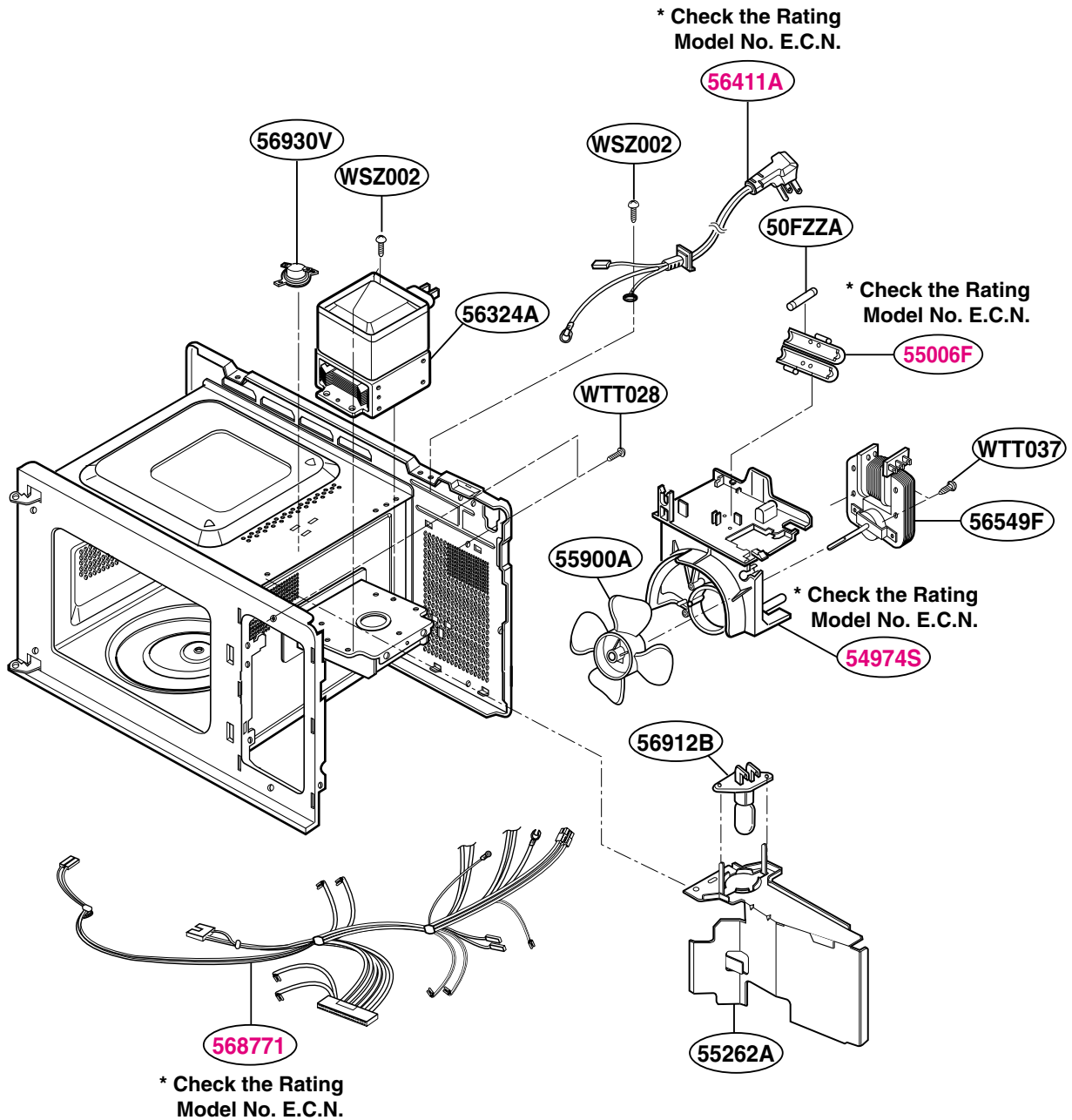
LATCH BOARD PARTS



INTERIOR PARTS (I)

Model: MT4078SPQ-0
MT4078SPB-0

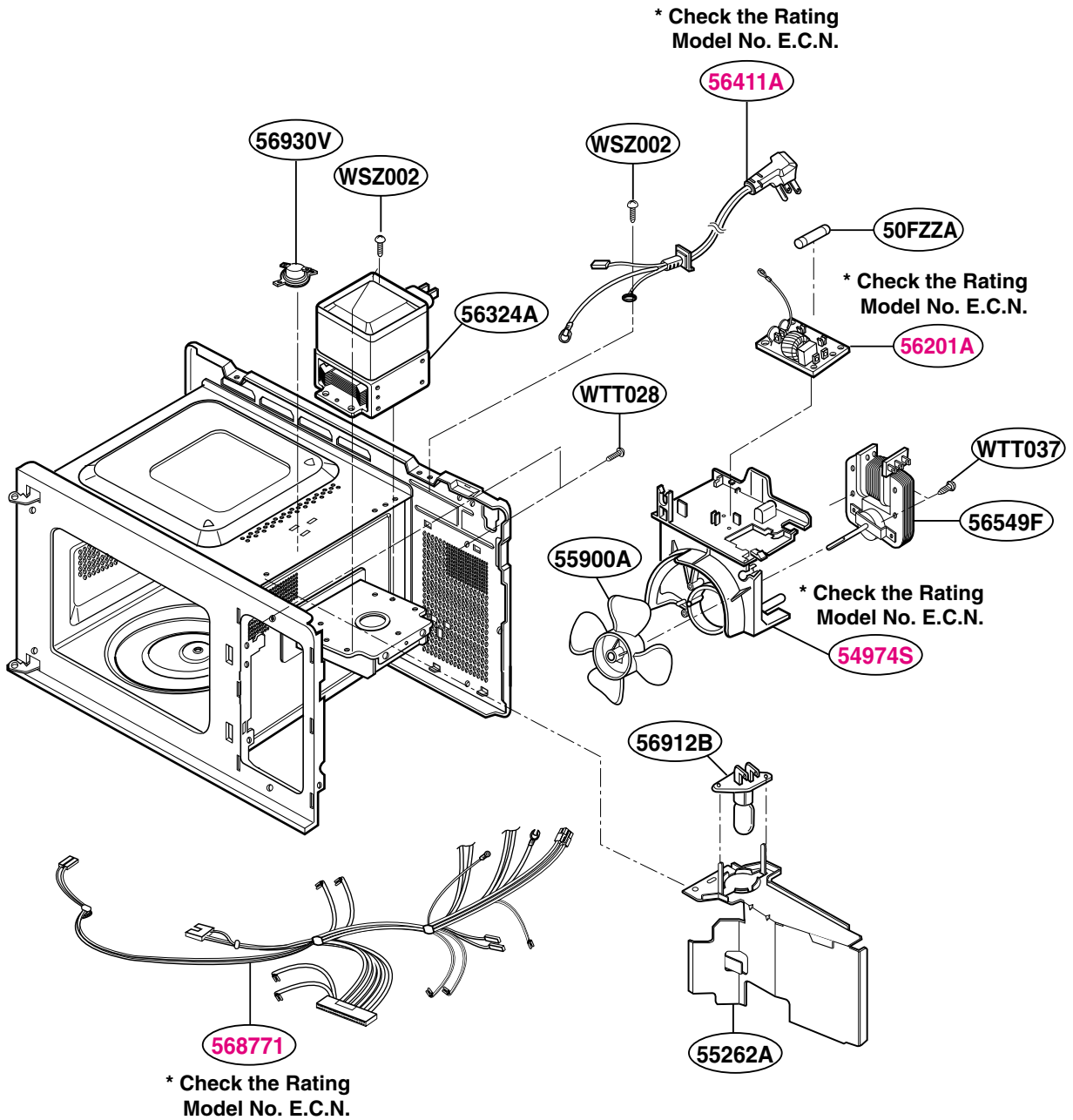
Check the rating label of **Model** and order SVC parts according to the **Model No. E.C.N.**



INTERIOR PARTS (II)

Model: MT4078SPQ-1
MT4078SPB-1

Check the rating label of **Model** and order SVC parts according to the **Model No. E.C.N.**



BASE PLATE PARTS

