

This Owner's Manual is provided and hosted by [Appliance Factory Parts](#).



# WHIRLPOOL MT4155SPB Owner's Manual

[Shop genuine replacement parts for WHIRLPOOL  
MT4155SPB](#)



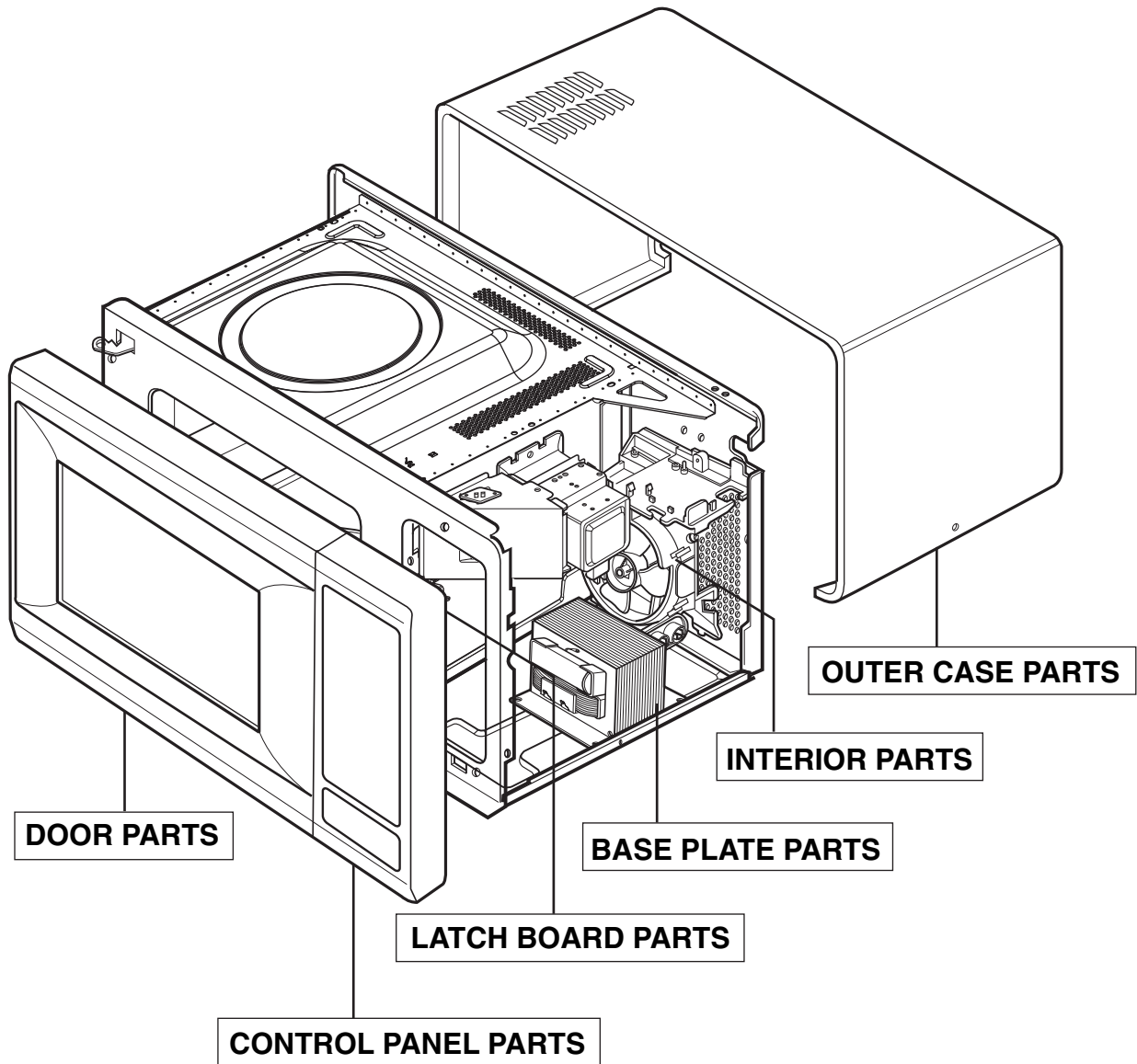
[Find Your WHIRLPOOL Microwave Parts - Select From 1350 Models](#)

----- Manual continues below -----

# EXPLODED VIEW

## INTRODUCTION

Model : MT4155SPB  
MT4155SPQ  
MT4155SPT

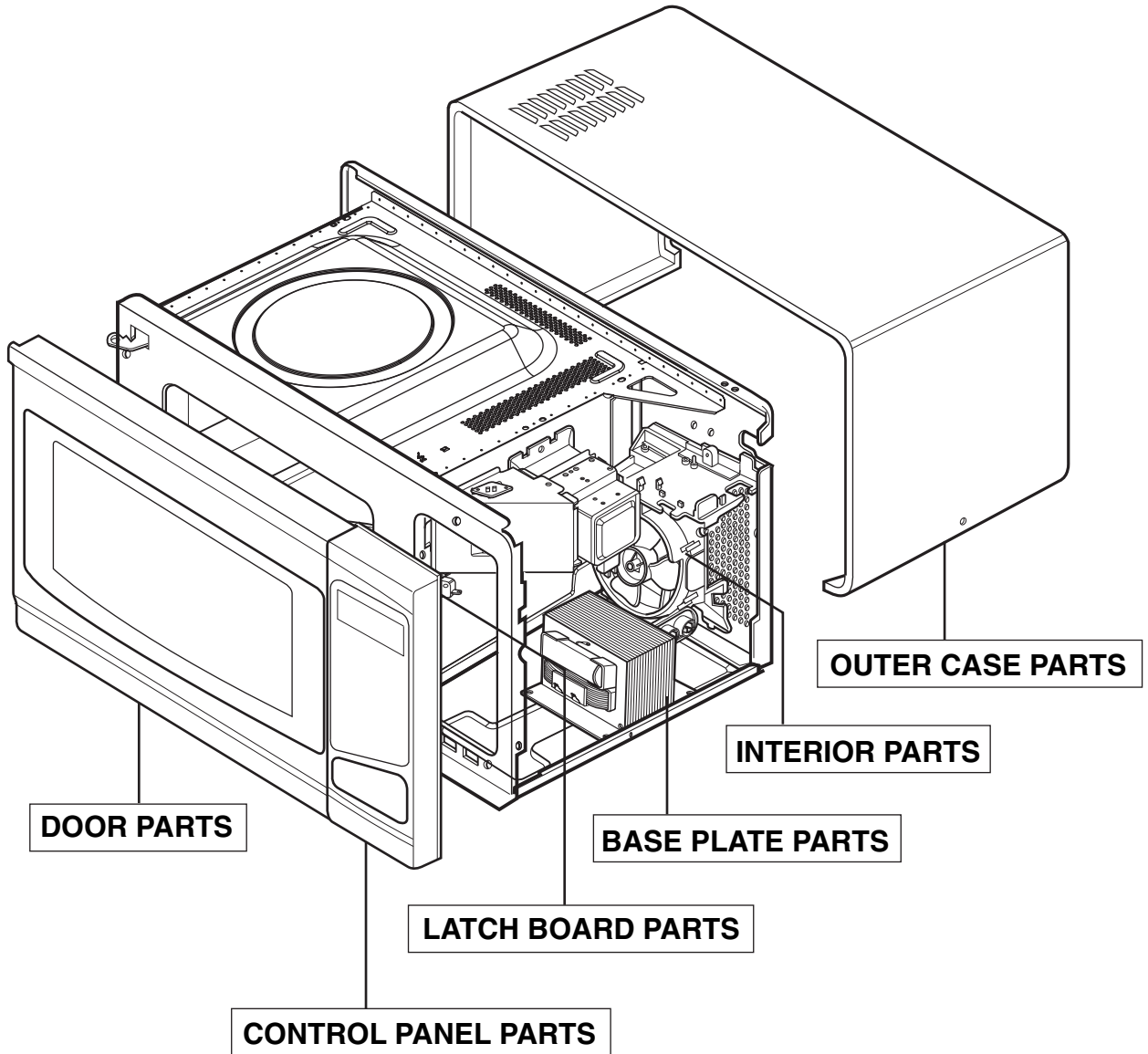


P/NO : 3828W5S3909

# EXPLODED VIEW

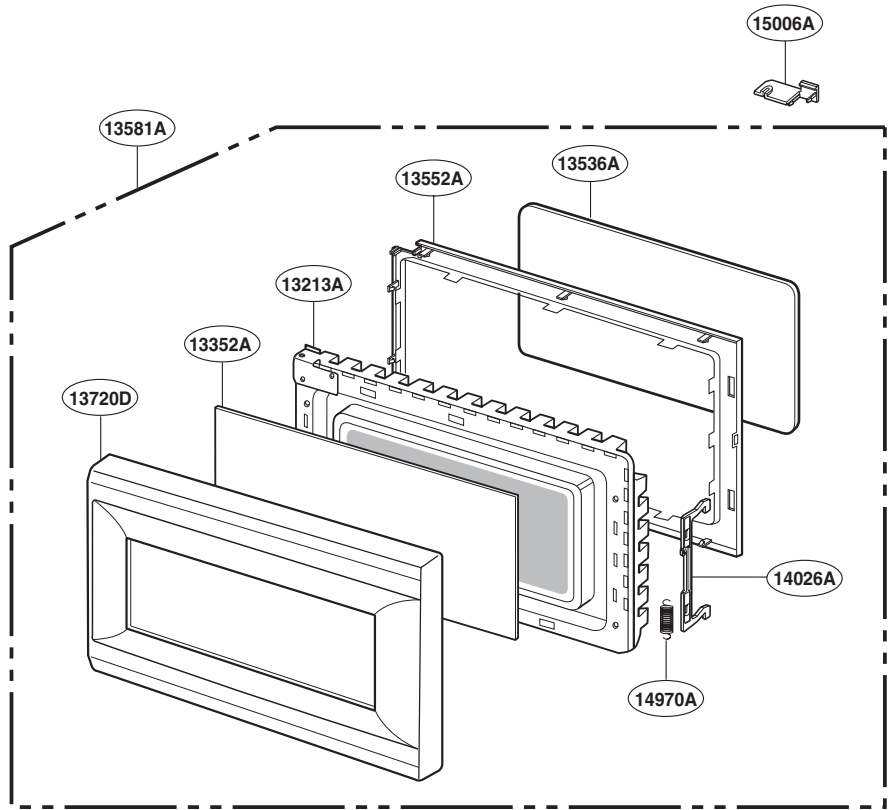
## INTRODUCTION

Model : MT4155SPS

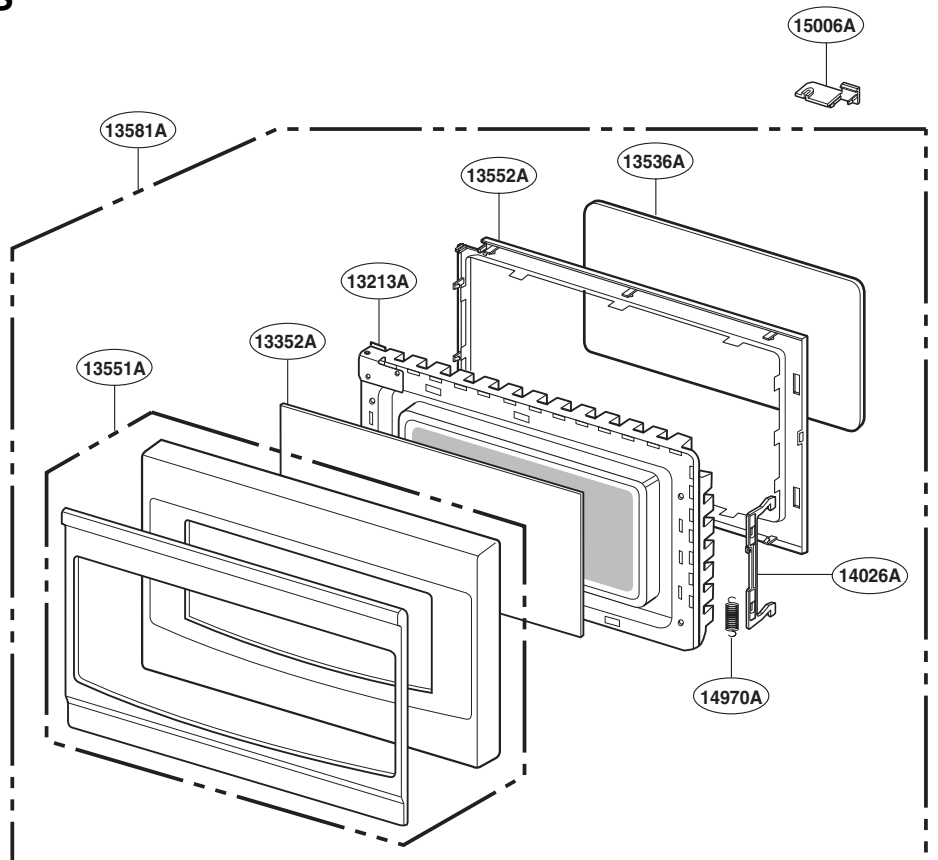


# DOOR PARTS

For model : MT4155SPB  
MT4155SPQ  
MT4155SPT

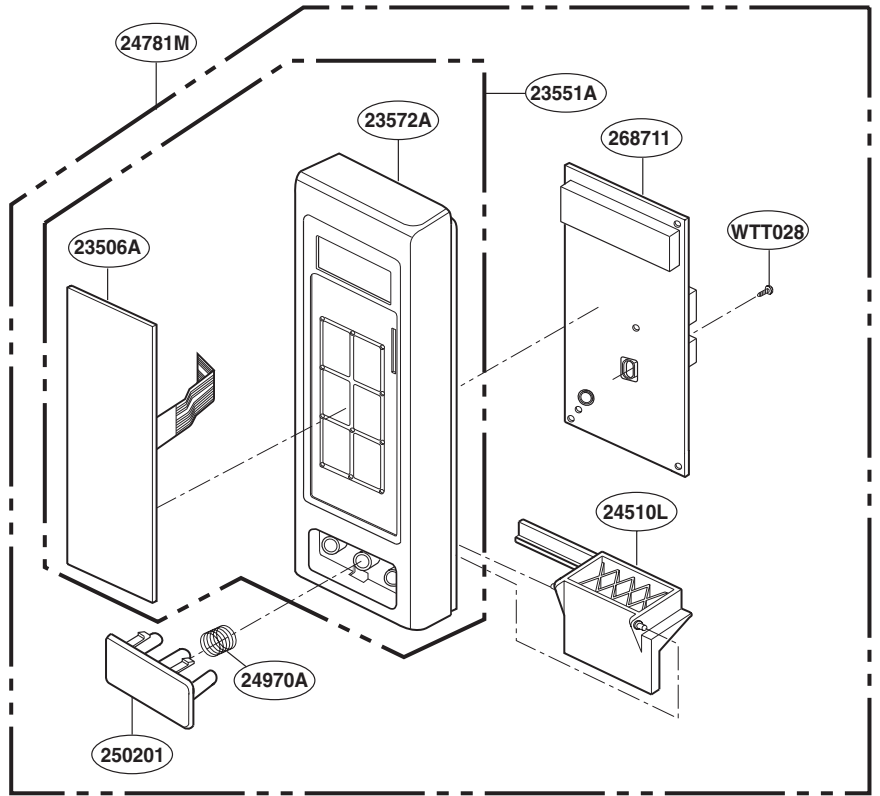


For model : MT4155SPS

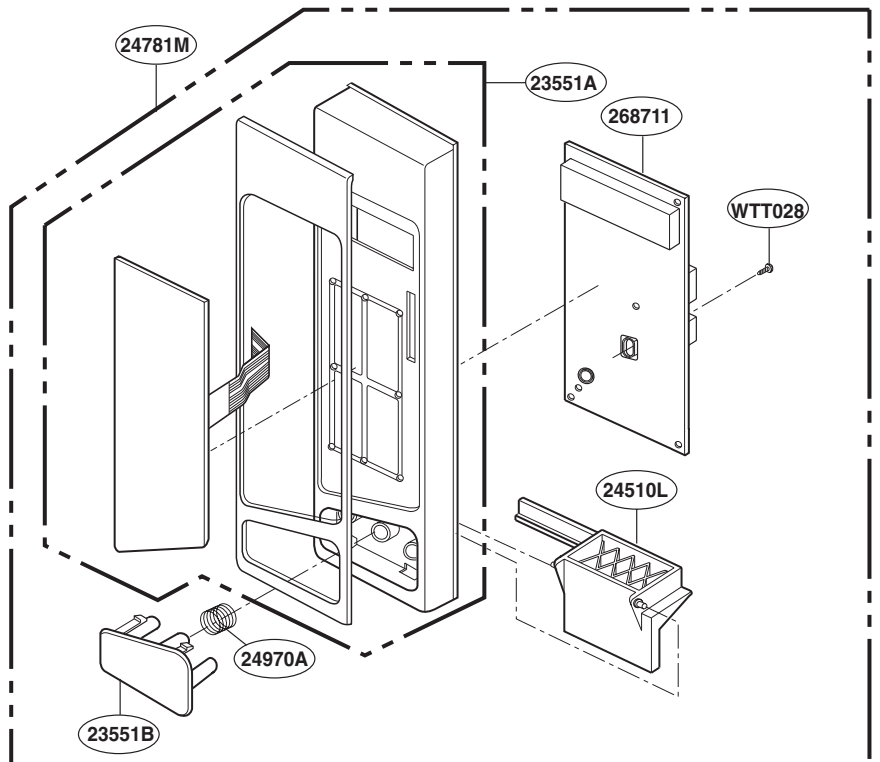


# CONTROL PANEL PARTS

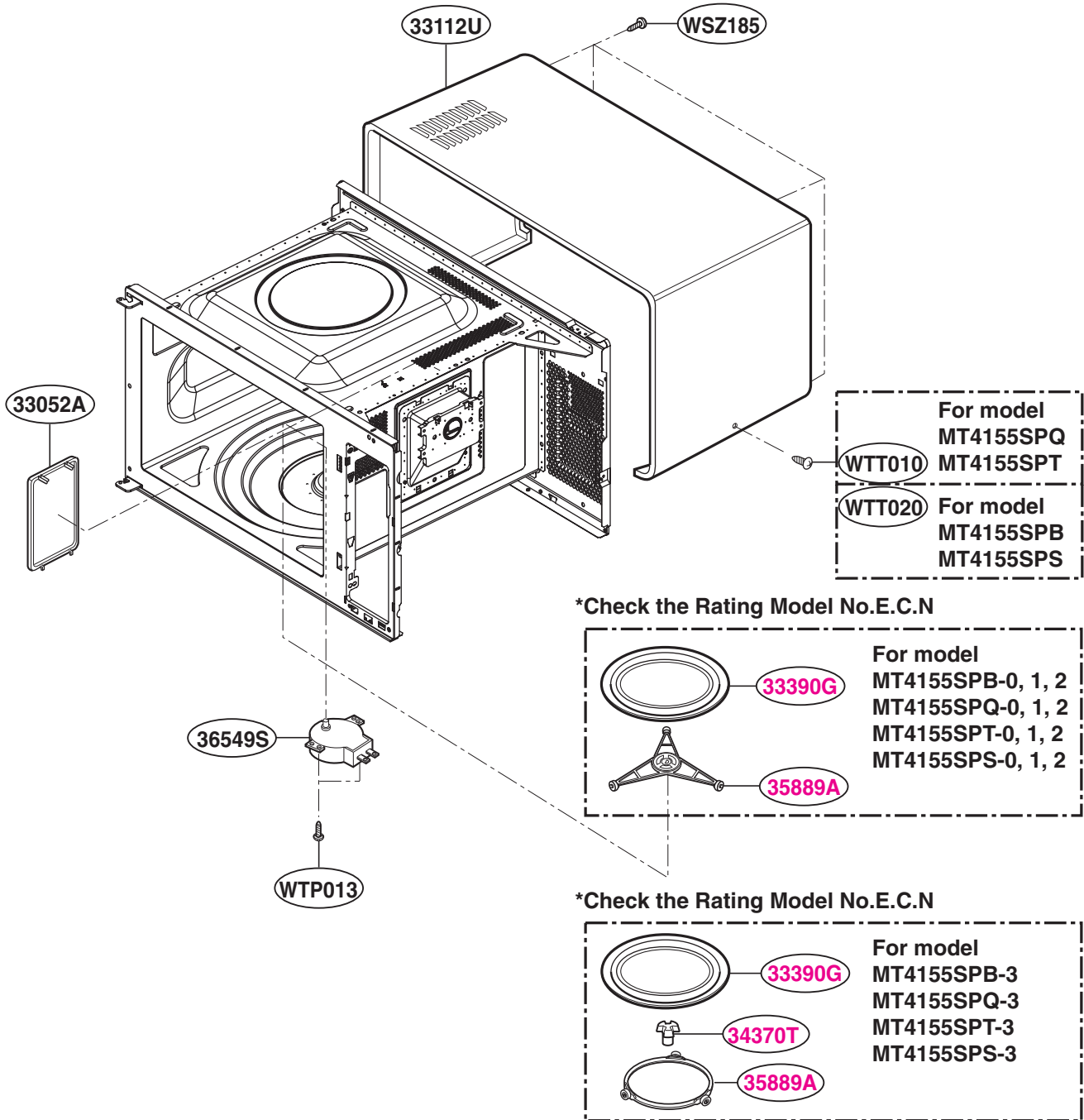
For model : MT4155SPB  
MT4155SPQ  
MT4155SPT



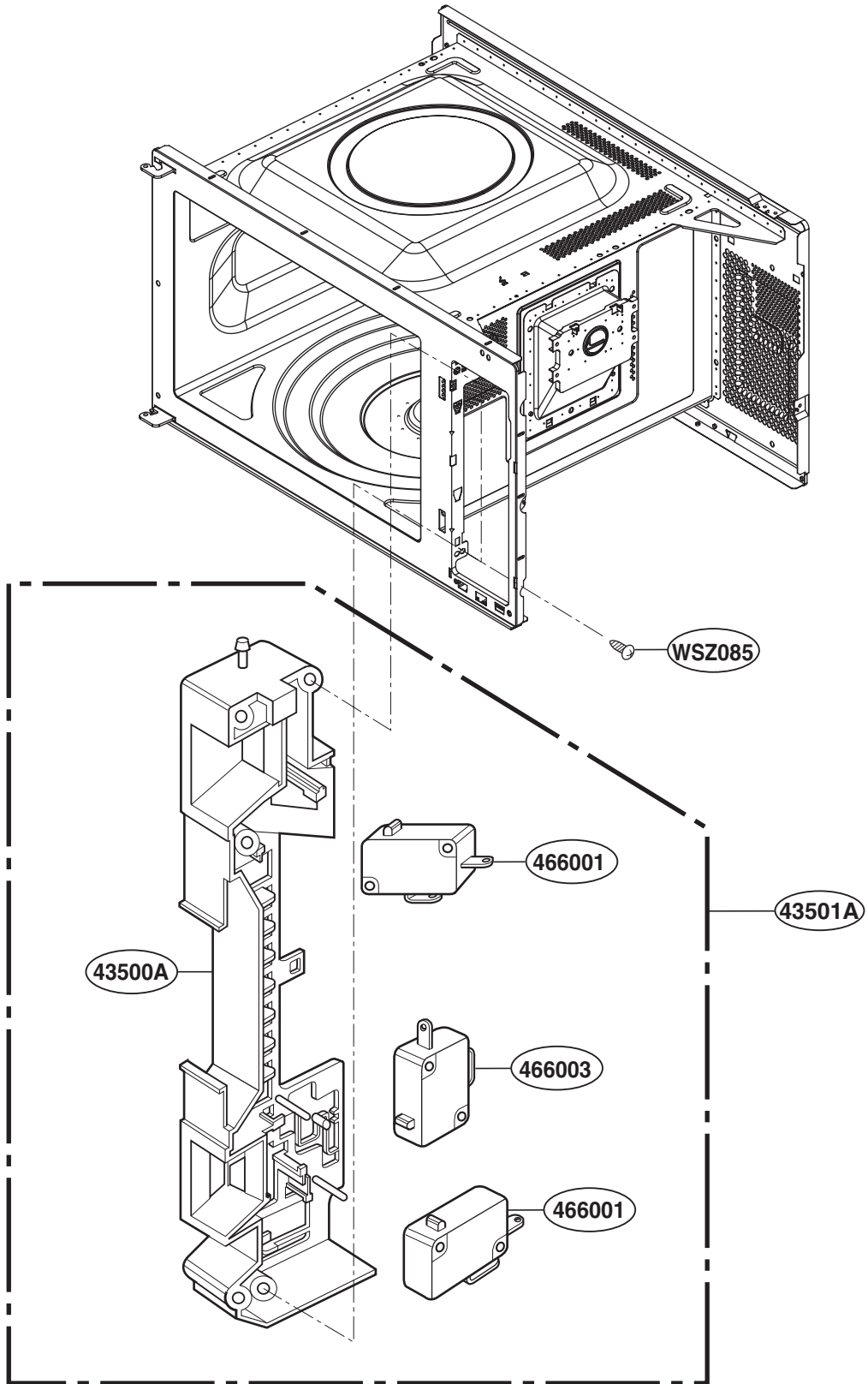
For model : MT4155SPS



# OVEN CAVITY PARTS



# LATCH BOARD PARTS

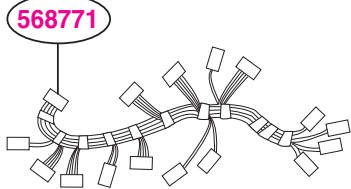


# INTERIOR PARTS (I)

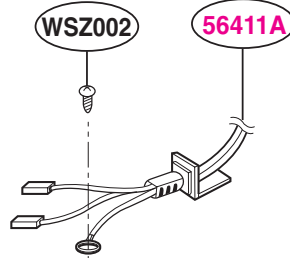
Model: MT4155SPQ-0  
MT4155SPB-0  
MT4155SPT-0  
MT4155SPS-0

Check the rating label of **Model** and order SVC parts according to the **Model No. E.C.N.**

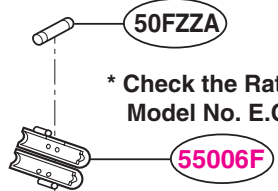
\* Check the Rating  
Model No. E.C.N.



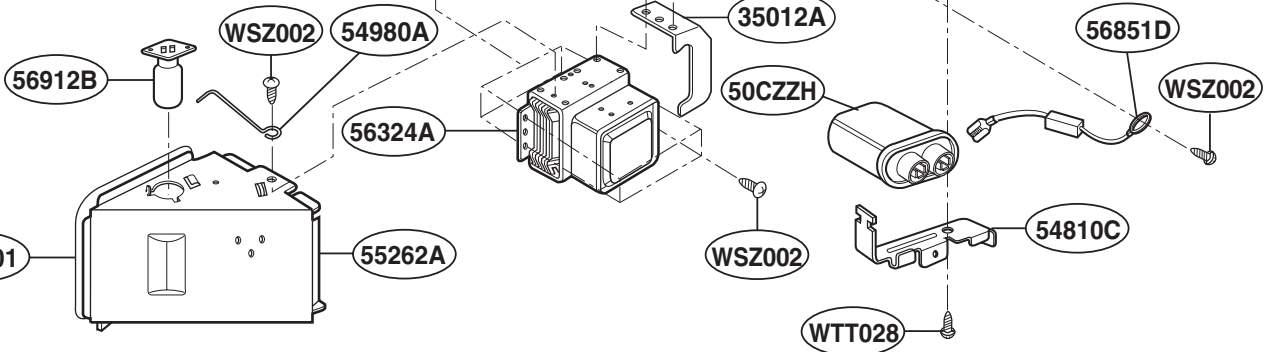
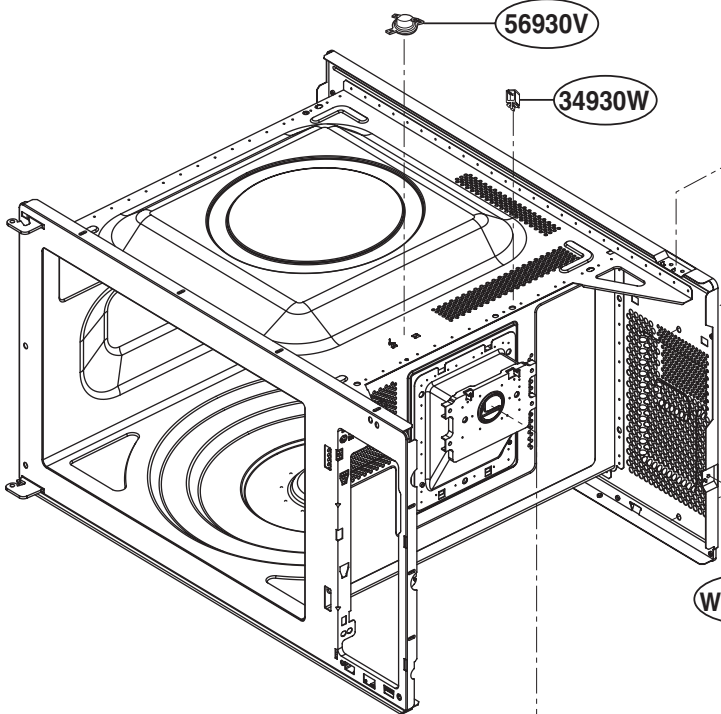
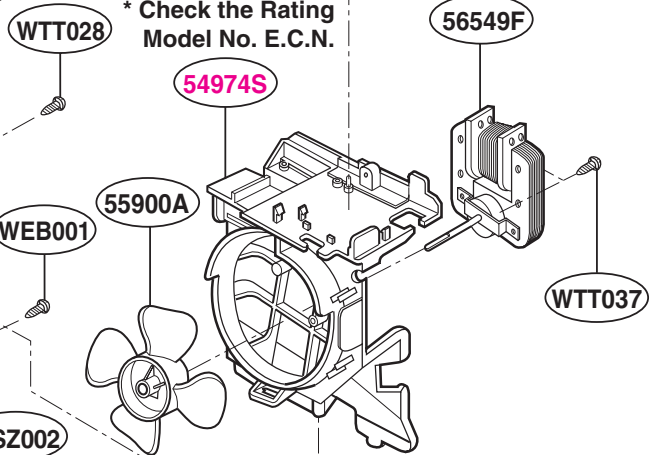
\* Check the Rating  
Model No. E.C.N.



\* Check the Rating  
Model No. E.C.N.



\* Check the Rating  
Model No. E.C.N.



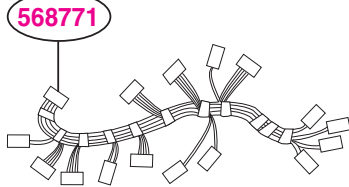


# INTERIOR PARTS (II)

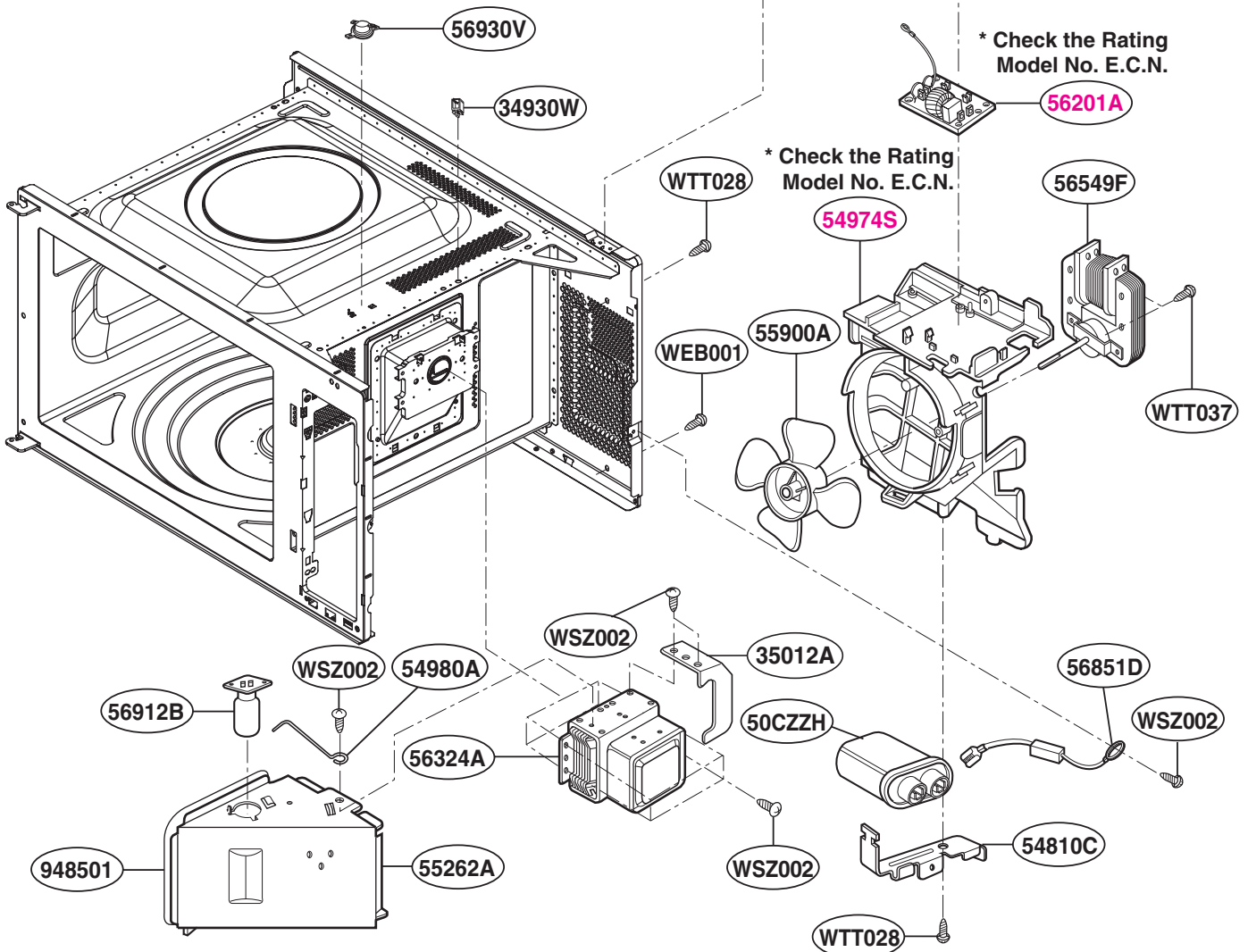
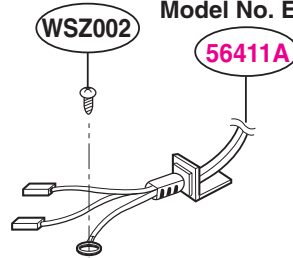
Model: MT4155SPQ-1, 2, 3  
MT4155SPB-1, 2, 3  
MT4155SPT-1, 2, 3  
MT4155SPS-1, 2, 3

Check the rating label of **Model** and order SVC parts according to the **Model No. E.C.N.**

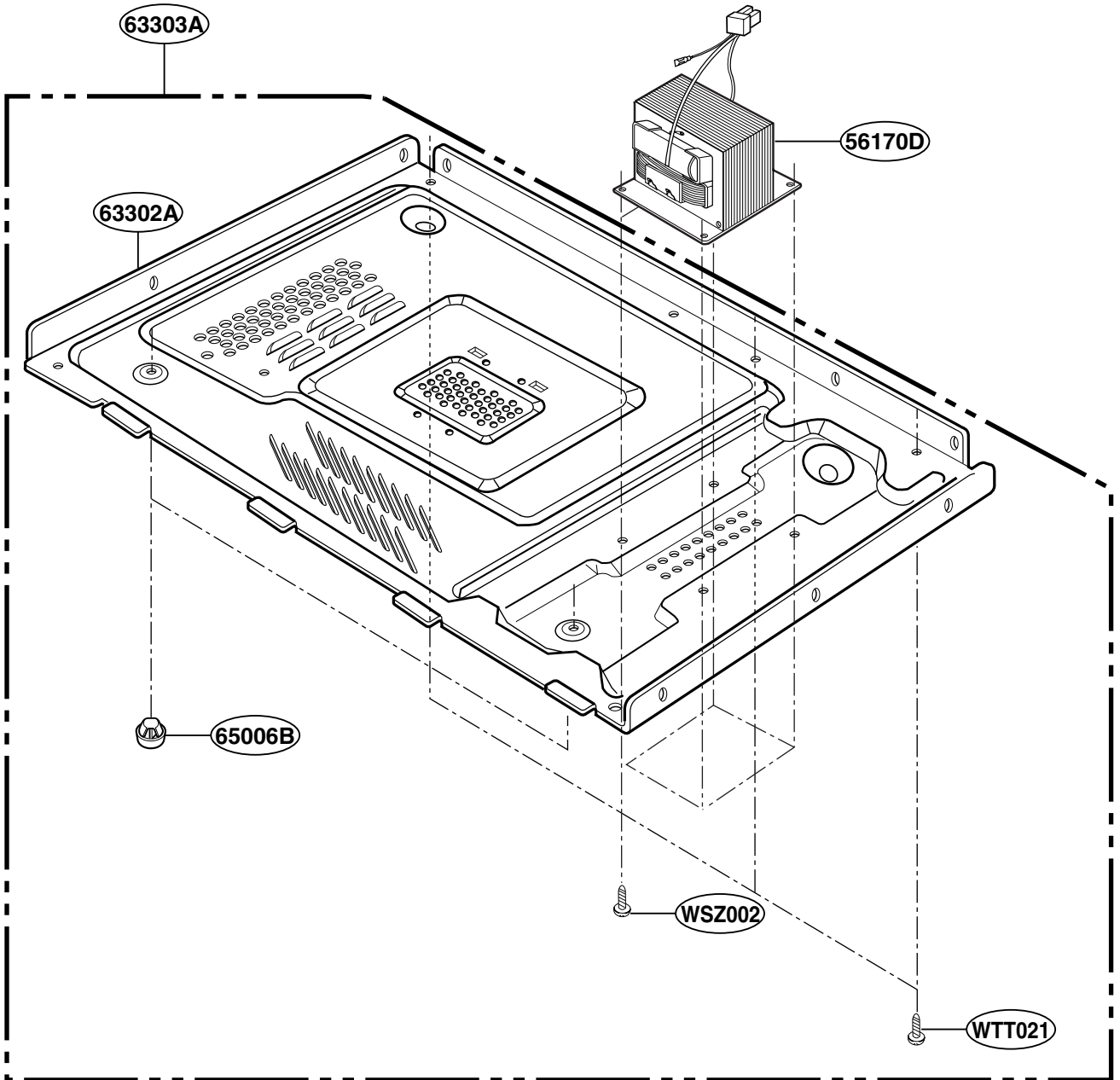
\* Check the Rating  
Model No. E.C.N.



\* Check the Rating  
Model No. E.C.N.



# BASE PLATE PARTS



# SENSOR PARTS

