

This Owner's Manual is provided and hosted by [Appliance Factory Parts](#).

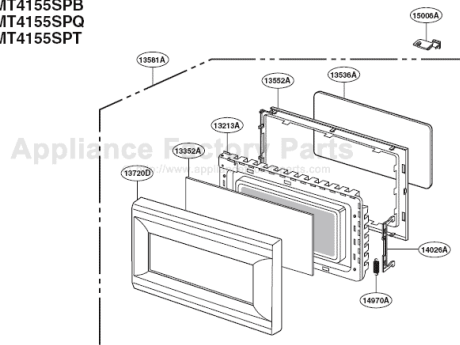


WHIRLPOOL MT4155SPT-1 Owner's Manual

[Shop genuine replacement parts for WHIRLPOOL
MT4155SPT-1](#)

DOOR PARTS

For model : MT4155SPB
MT4155SPQ
MT4155SPT



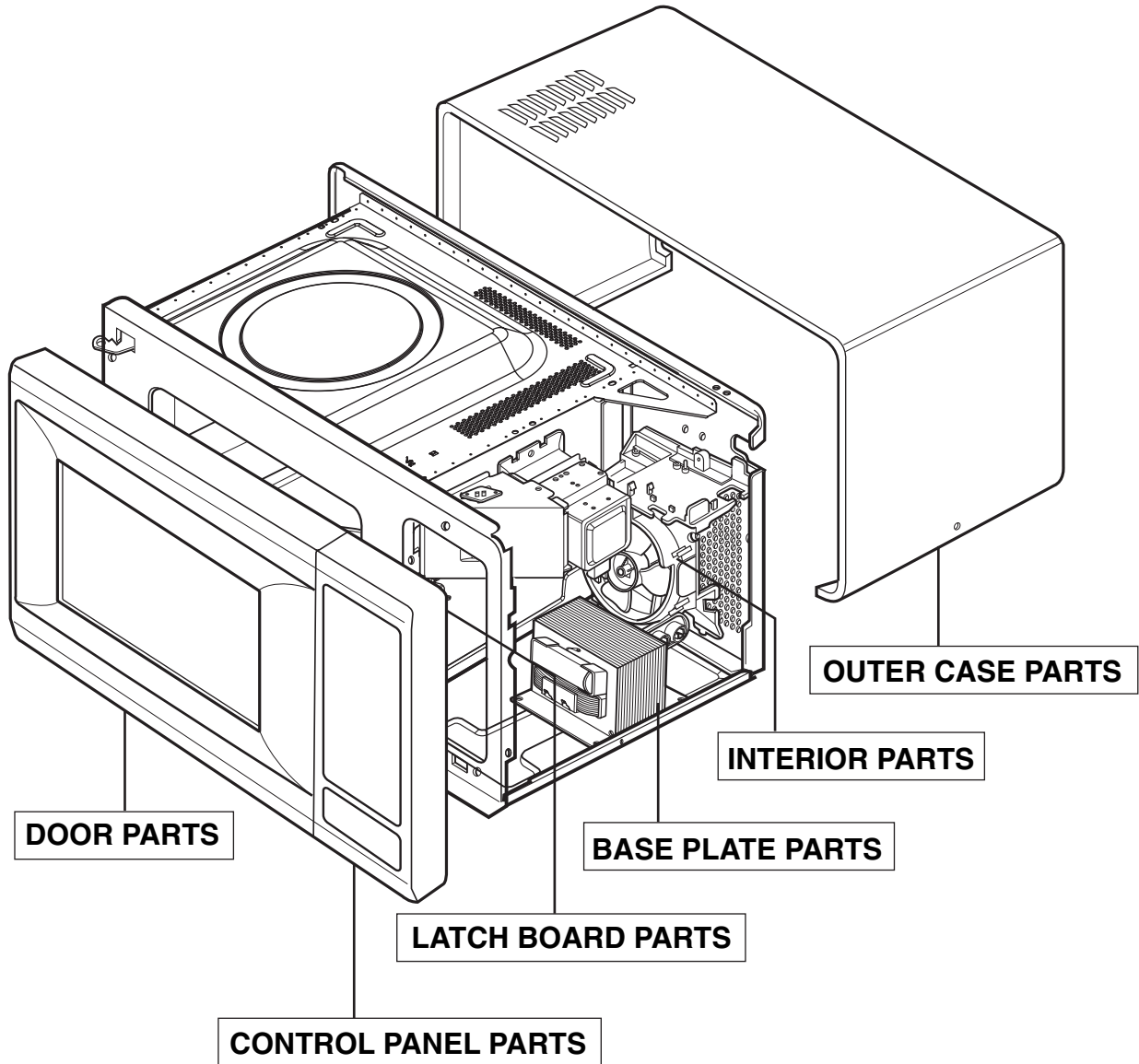
[Find Your WHIRLPOOL Microwave Parts - Select From 1350 Models](#)

----- Manual continues below -----

EXPLODED VIEW

INTRODUCTION

Model : MT4155SPB
MT4155SPQ
MT4155SPT

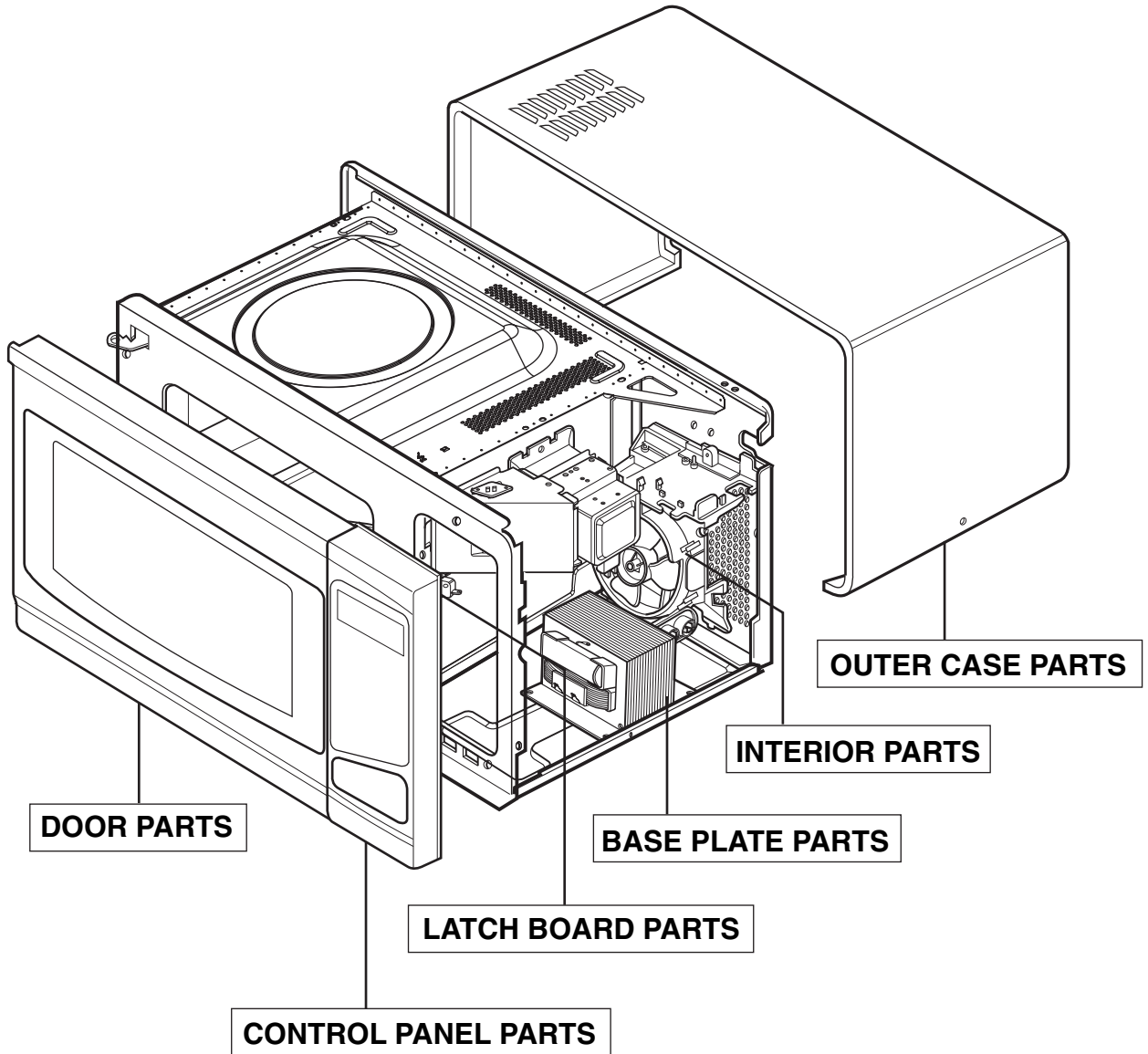


P/NO : 3828W5S3909

EXPLODED VIEW

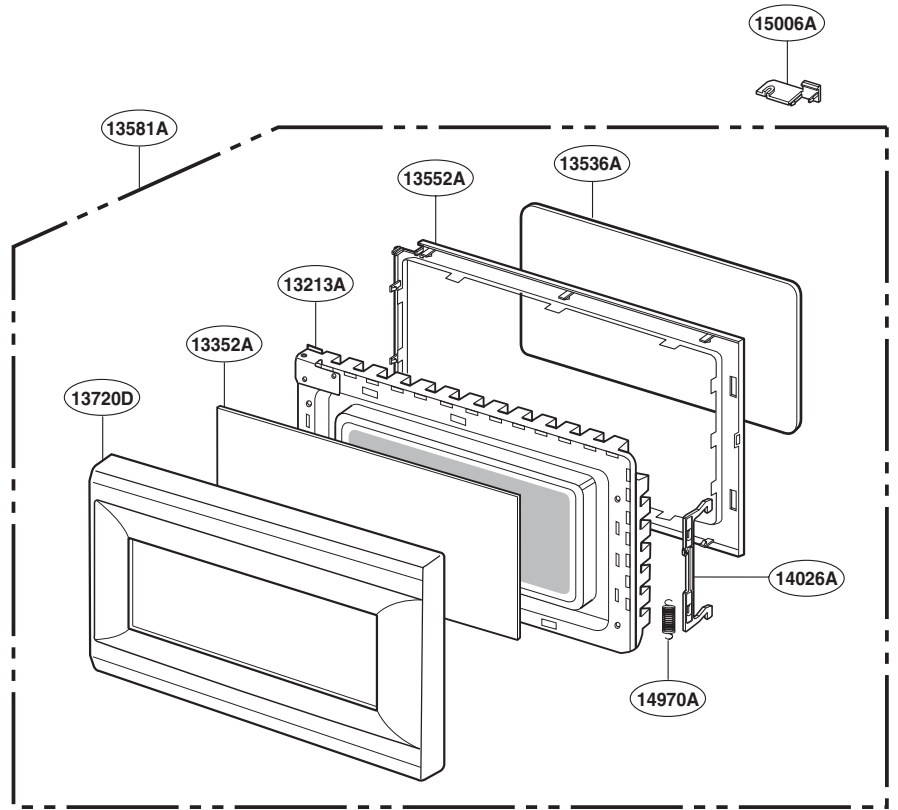
INTRODUCTION

Model : MT4155SPS

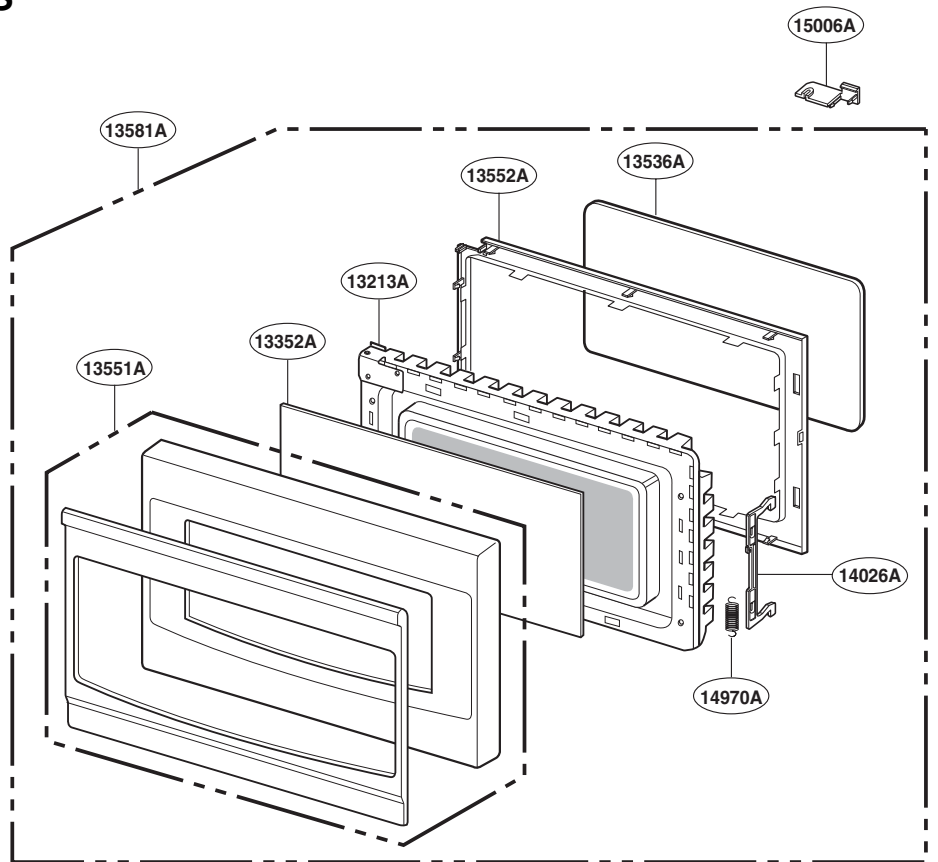


DOOR PARTS

For model : MT4155SPB
MT4155SPQ
MT4155SPT

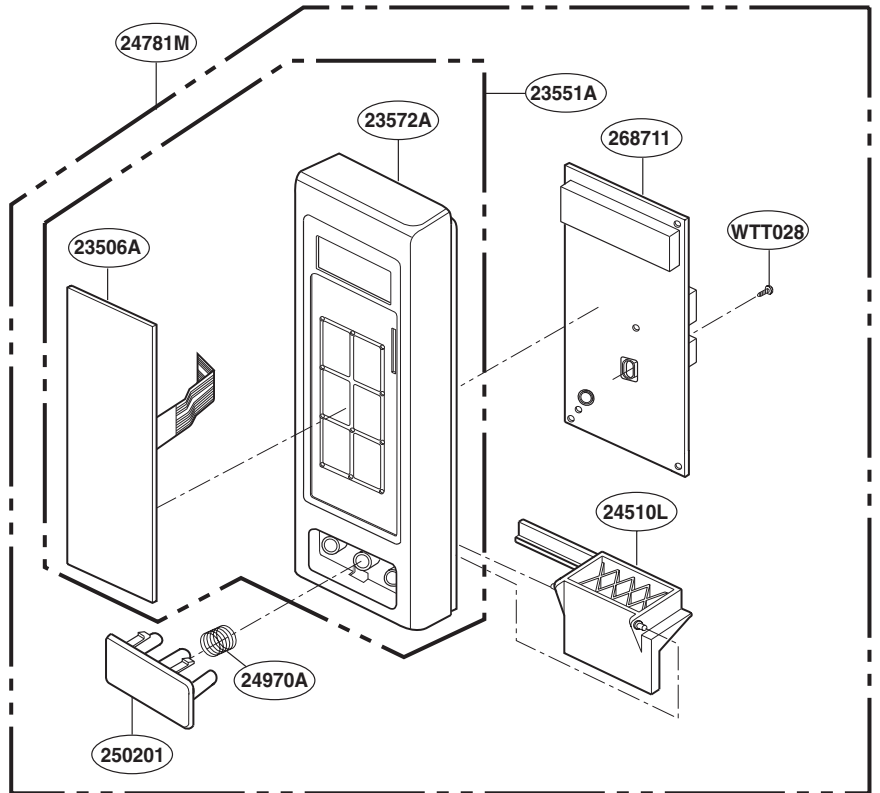


For model : MT4155SPS

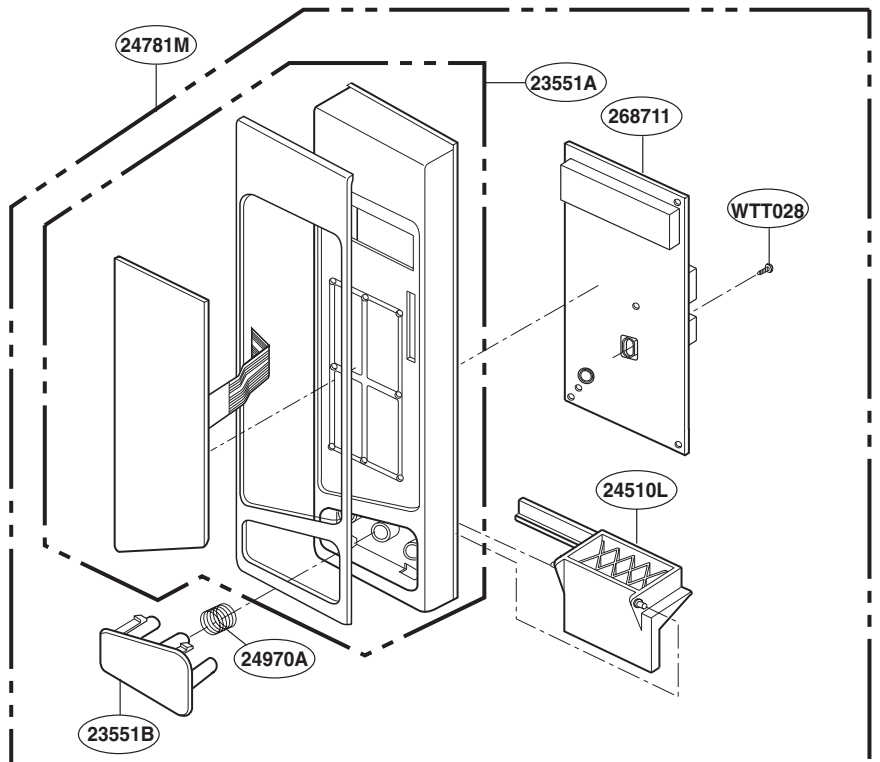


CONTROL PANEL PARTS

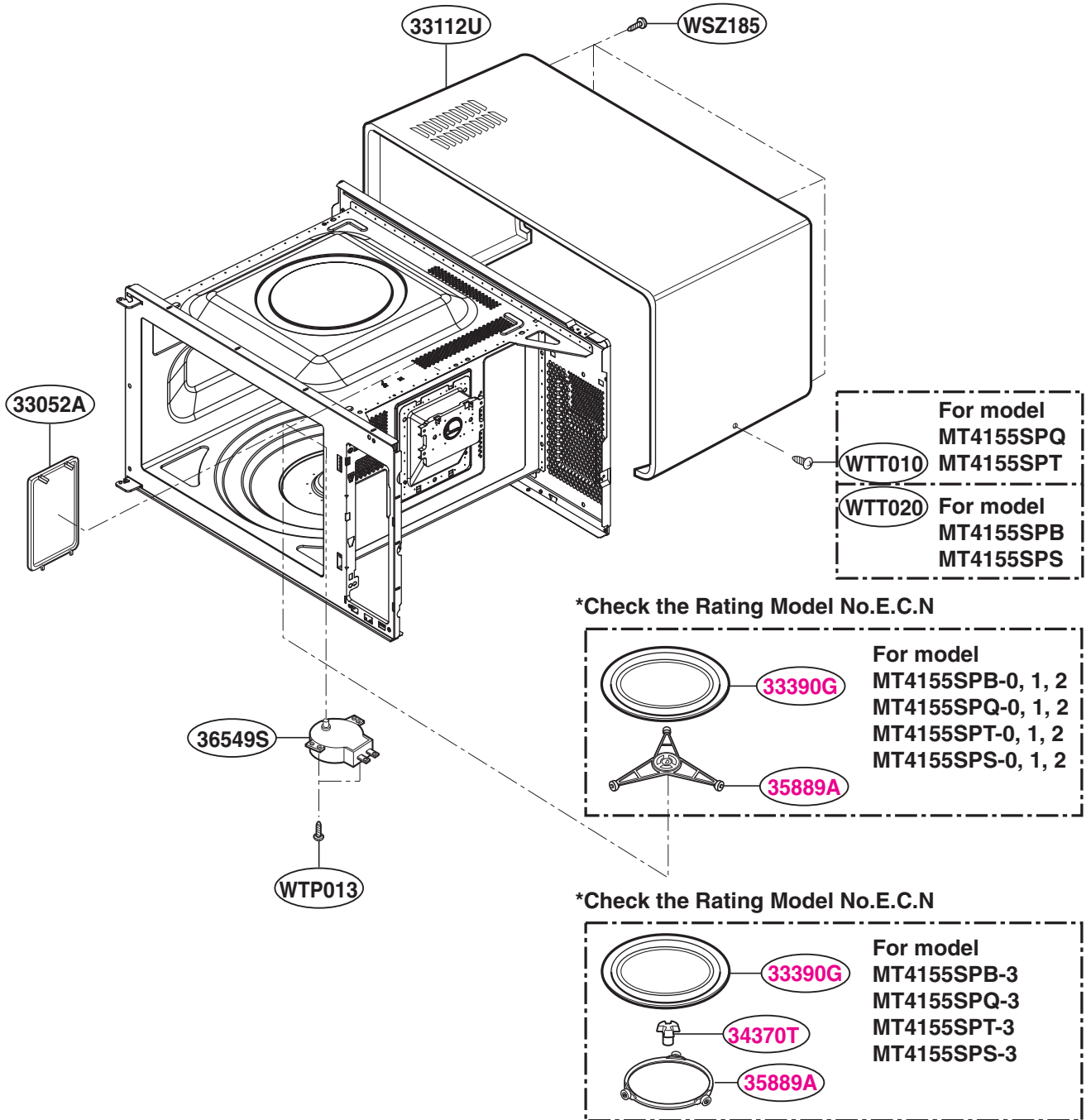
For model : MT4155SPB
MT4155SPQ
MT4155SPT



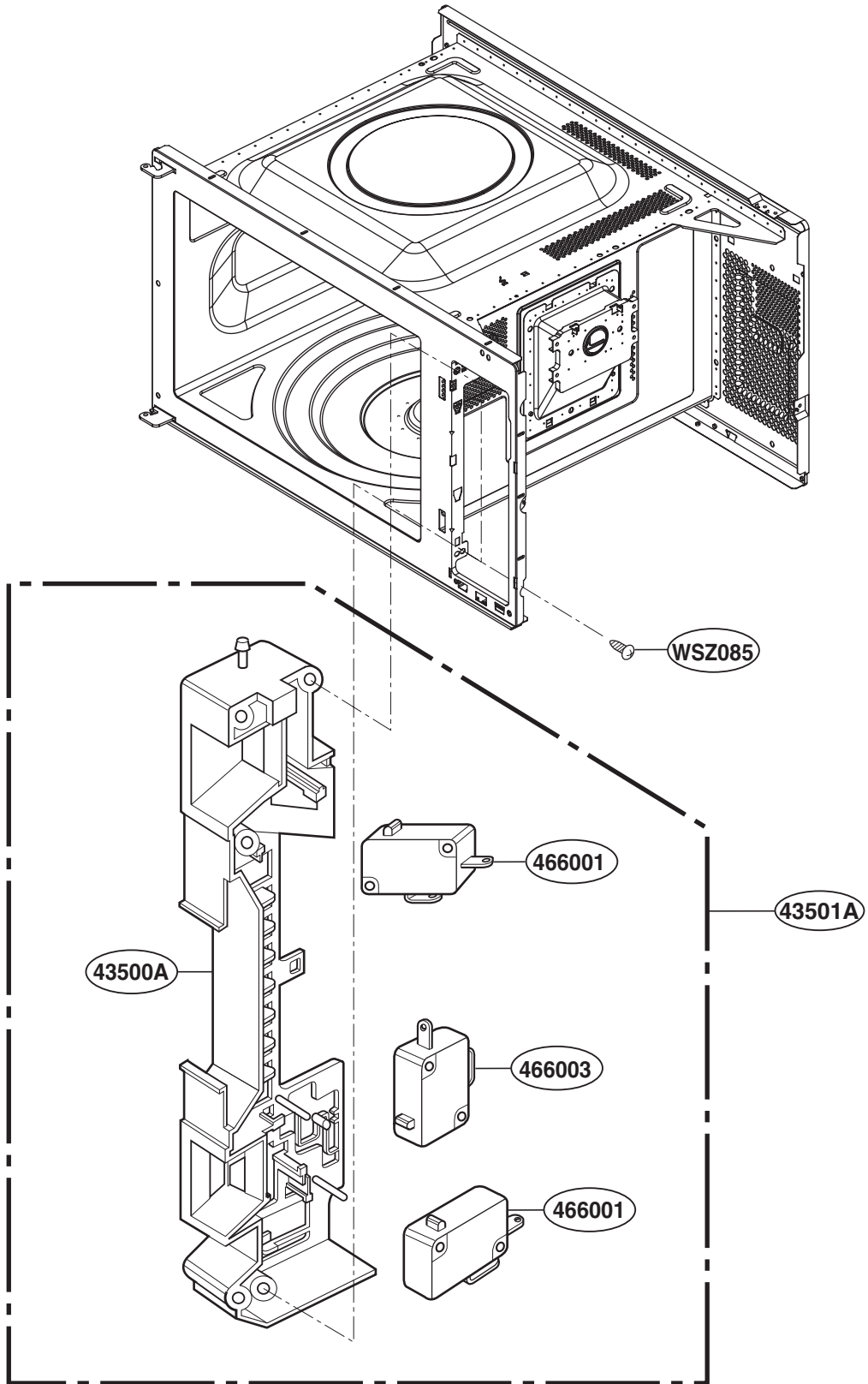
For model : MT4155SPS



OVEN CAVITY PARTS



LATCH BOARD PARTS

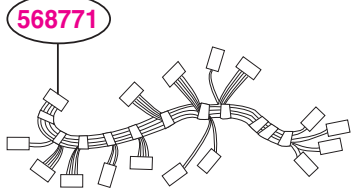


INTERIOR PARTS (I)

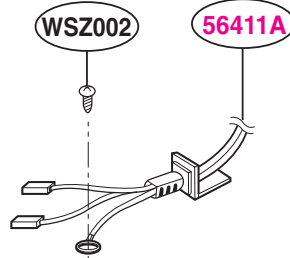
Model: MT4155SPQ-0
MT4155SPB-0
MT4155SPT-0
MT4155SPS-0

Check the rating label of **Model** and order SVC parts according to the **Model No. E.C.N.**

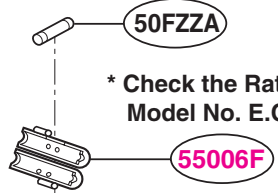
* Check the Rating
Model No. E.C.N.



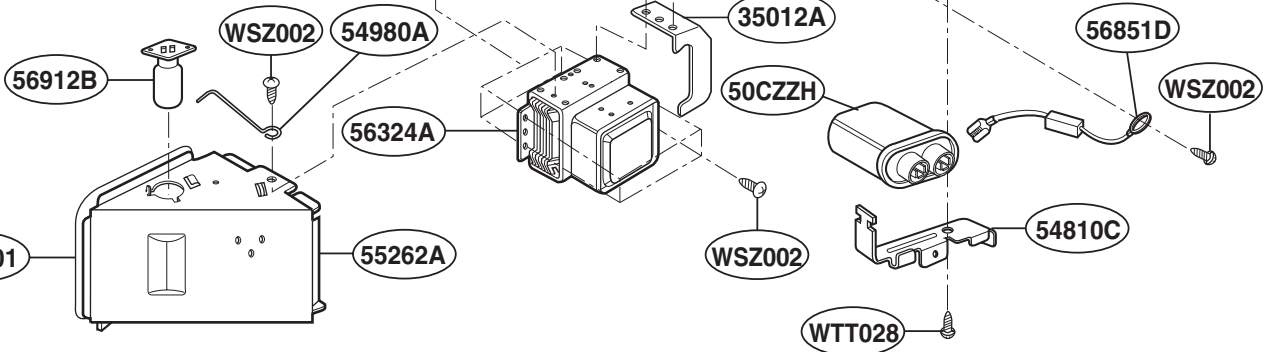
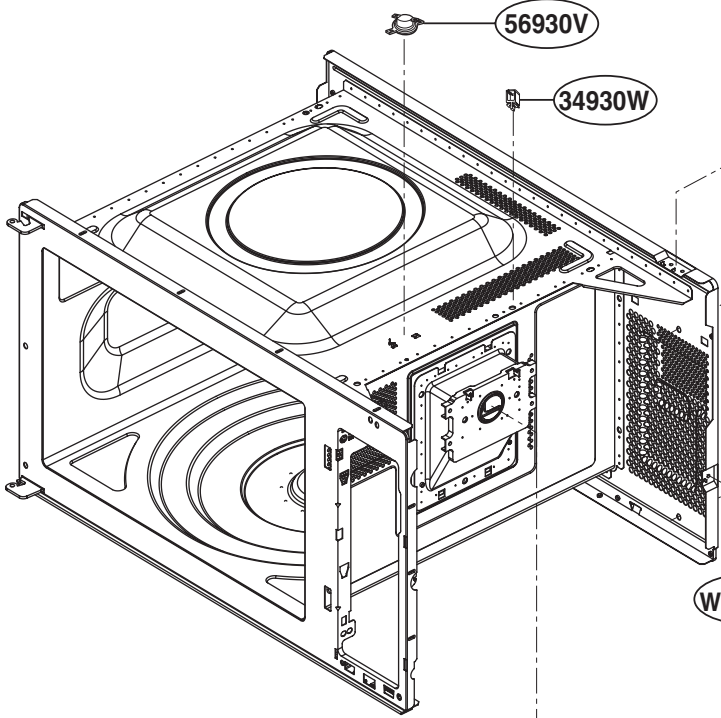
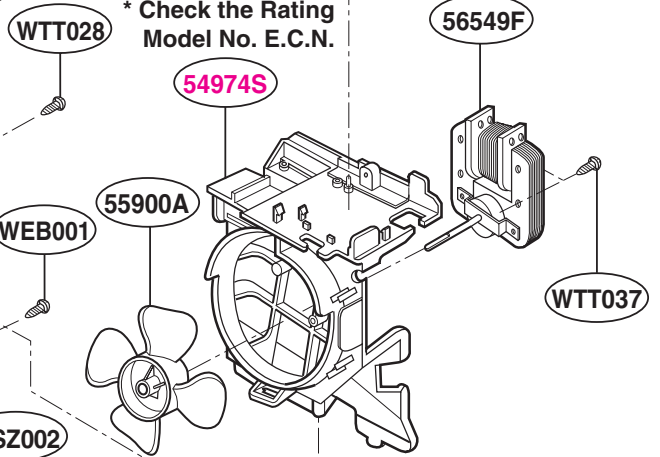
* Check the Rating
Model No. E.C.N.



* Check the Rating
Model No. E.C.N.



* Check the Rating
Model No. E.C.N.

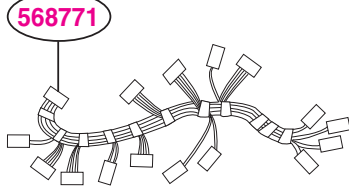


INTERIOR PARTS (II)

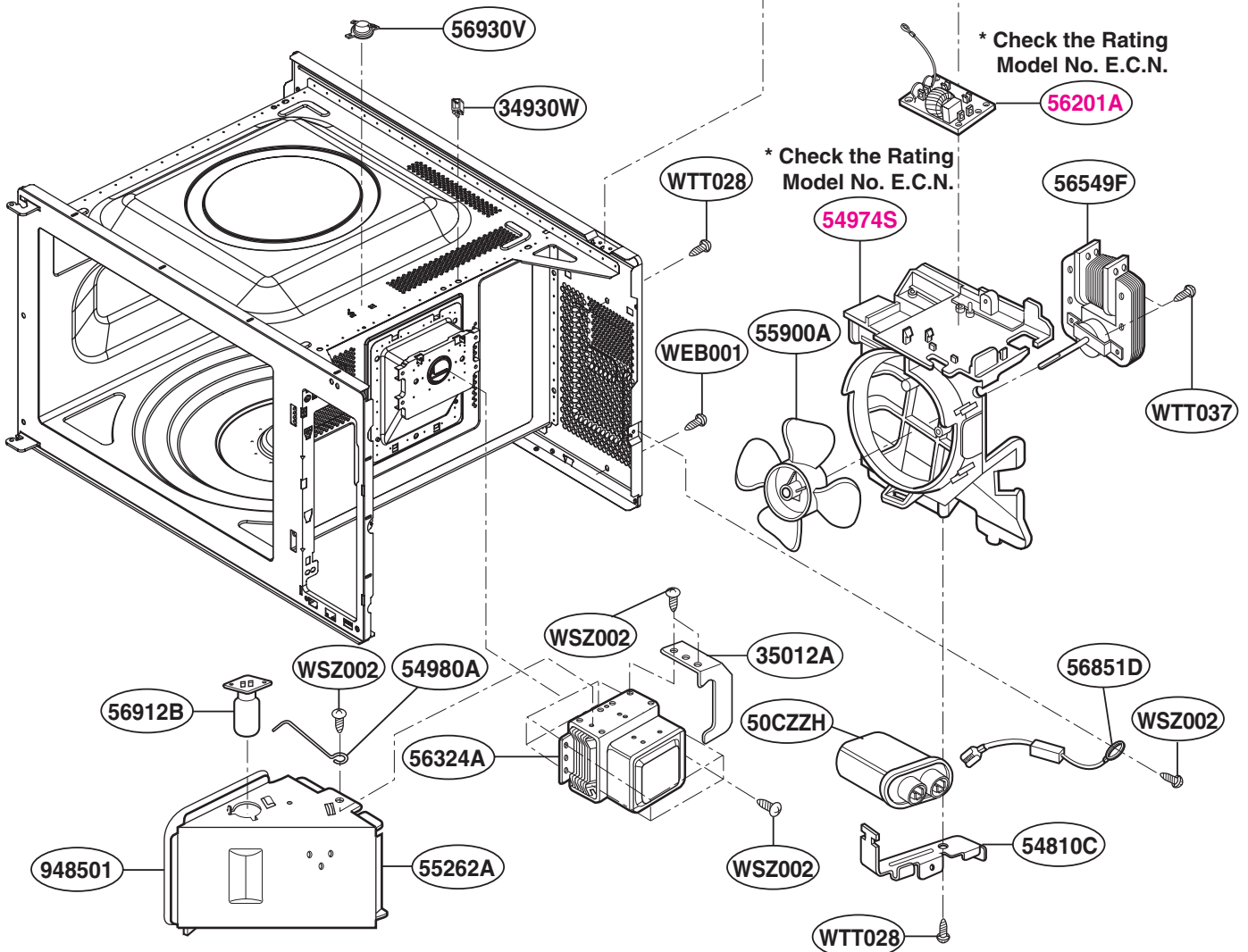
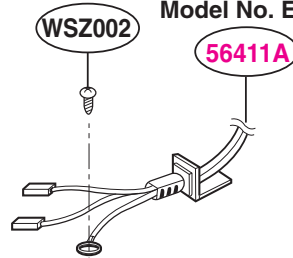
Model: MT4155SPQ-1, 2, 3
MT4155SPB-1, 2, 3
MT4155SPT-1, 2, 3
MT4155SPS-1, 2, 3

Check the rating label of **Model** and order SVC parts according to the **Model No. E.C.N.**

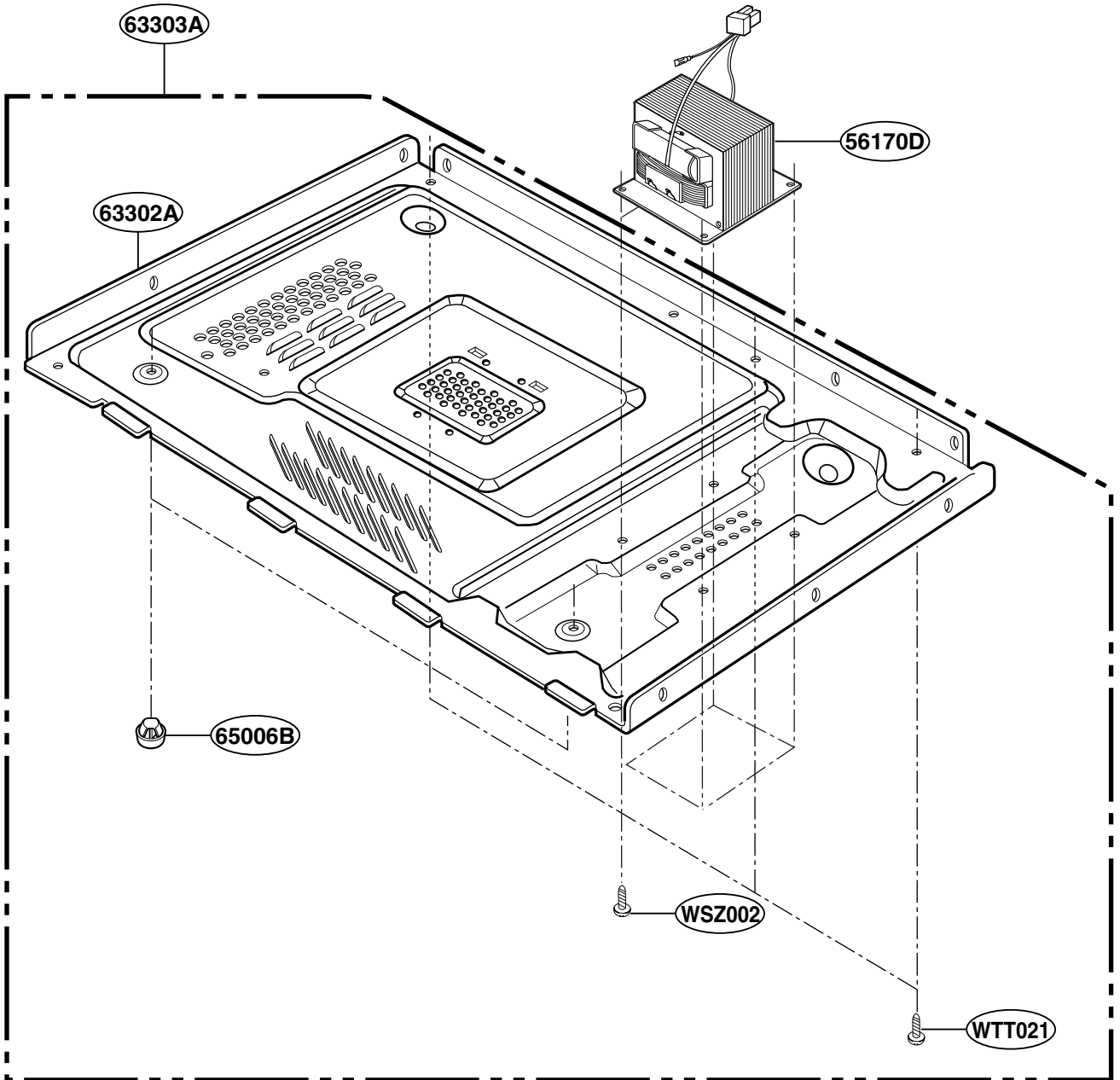
* Check the Rating Model No. E.C.N.



* Check the Rating Model No. E.C.N.



BASE PLATE PARTS



SENSOR PARTS

