

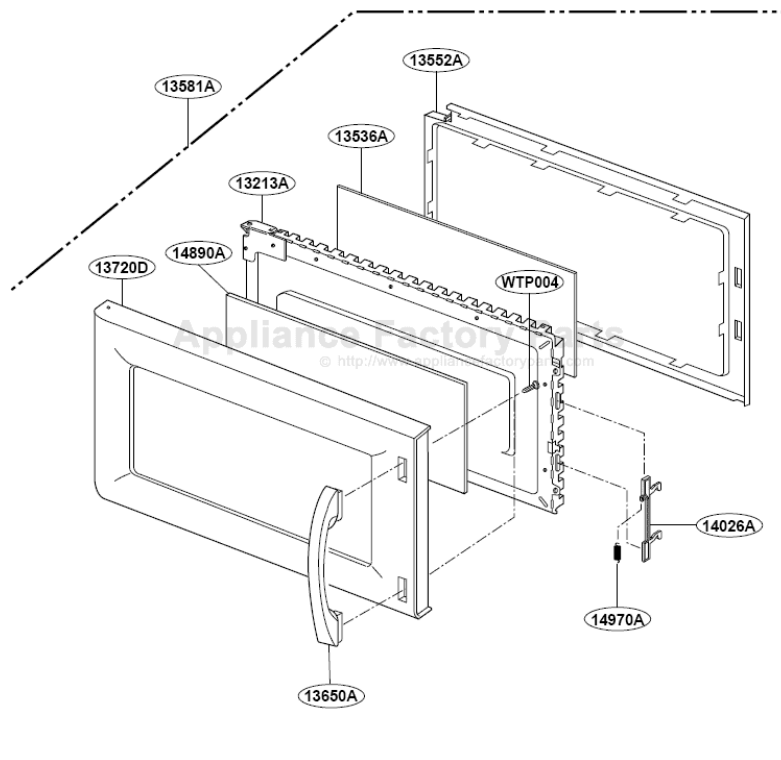
This Owner's Manual is provided and hosted by [Appliance Factory Parts](#).



ESTATE TMH14XLQ Owner's Manual

[Shop genuine replacement parts for ESTATE
TMH14XLQ](#)

DOOR PARTS

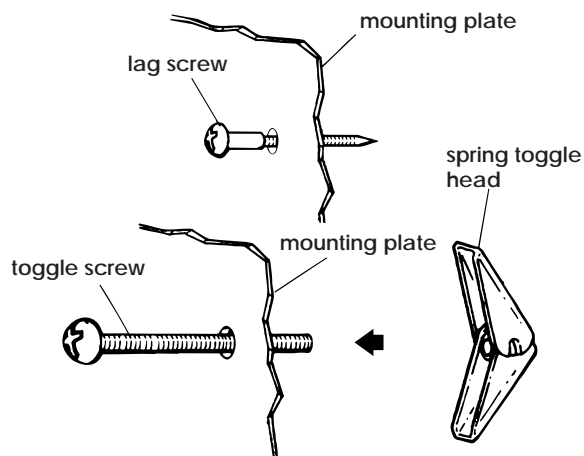
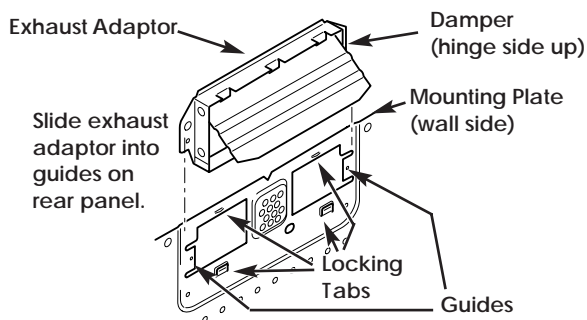
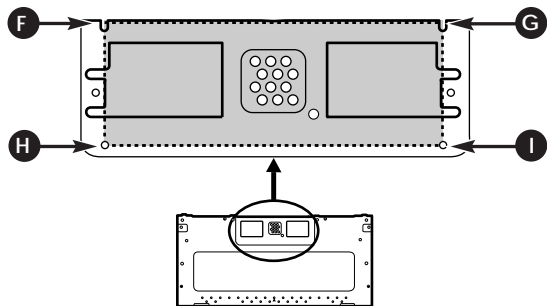


[Find Your ESTATE Microwave Parts - Select From 6 Models](#)

----- Manual continues below -----

11. To prepare the rear wall cutout opening and exhaust Adaptor/mounting plate for wall-venting:

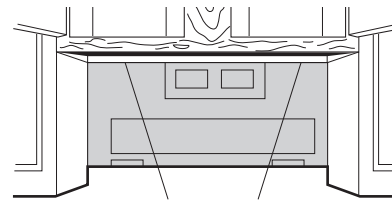
- Place the mounting plate against the rear wall.
- Using a pencil, put dots through slots F and G, and through holes H and I. Remove the mounting plate and draw lines extending through the points. This will give the location and size of the box cutout for the rear wall duct.
 - Attach the exhaust adaptor to the rear mounting plate by sliding it into the guides at the top center of the plate on the wall side. Push in securely until it is past the top locking tabs and in the lower locking tabs. Take care to assure the damper hinge is installed so that it is at the top and that the damper swings freely.
 - Carefully guide the exhaust adaptor, now attached to the mounting plate, into the house duct, before using the screws to attach the plate to the wall. This will assure proper alignment for installation.



- ## 12.
- Insert lag Screws (into wall stud) or toggle bolts (through drywall) through the holes on the mounting plate at holes "A", "B", "C", "D" and "E".

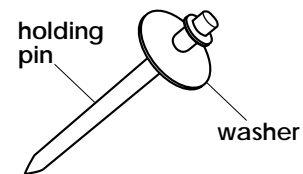
13.

Position mounting plate on the wall making sure that top of mounting plate is against bottom of cabinet or bottom of cabinet frame. Start the lag screws through the wall-stud holes and/or insert toggle screws and spring toggle heads through drywall holes. Tighten screws to secure mounting plate to wall. Check that center of plate is secured to wall.



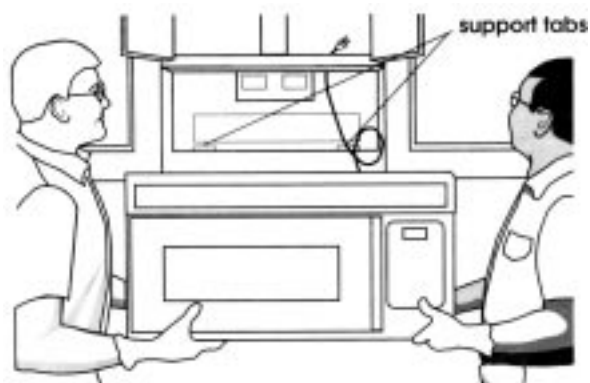
Make sure top of mounting plate is against bottom of cabinet or cabinet frame.

- ## 14.
- Slide washer onto holding pin and set inside upper cabinet.



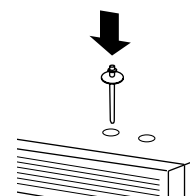
⚠ WARNING

Excessive Weight Hazard
Use two or more people to move and install microwave oven hood.
Lift microwave oven hood and hang on support tabs on bottom of mounting plate brackets. Hold microwave oven hood in place and secure to upper cabinet with the holding pin and washer.
Failure to follow these instructions can result in back or other injury.



- ## 15.
- Carefully lift microwave oven hood and hang it on support tabs at the bottom of the mounting plate. Thread power supply cord through the power supply cord hole in the bottom of the upper cabinet.

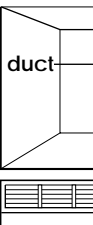
- ## 16.
- Rotate microwave oven hood upward so that top of hood is against bottom of upper cabinet or



- ## 19.
- Remove... store for possible ventless install...



- ## 20.
- Roof-venting damper/duct... of the microwave... be on top of the... (bright-colored) connector to... Note: Damper... attached to microwave oven...




- ## 21.
- Roof-venting through the wall... cabinet. Complete the roof access... See "Venting preparation", seal exterior roof...

- ## 22.
- Install... screw (dark-colored) inside of the cabinet... clamp to bundle...

- ## 23.
- Grasp... holding the rim... the opposite edge... screen without... towards the cabinet... hood. Insert rim... opening and... front side of the...

Electrical requirements

⚠ WARNING



Electrical Shock Hazard

Electrically ground microwave oven hood. Do not use an extension cord. Failure to follow these instructions could result in death, fire, or electrical shock.

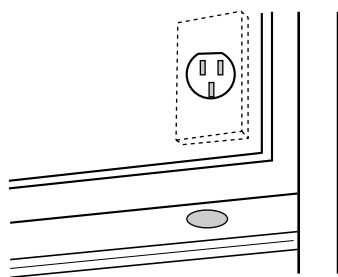
If codes permit and a separate ground wire is used, it is recommended that a qualified electrician determine that the ground path is adequate.

Do not ground to a gas pipe.

Check with a qualified electrician if you are not sure microwave oven hood is properly grounded.

Do not have a fuse in the neutral or ground circuit.

A 120-volt, 60-Hz, AC-only, 15- or 20-ampere, fused electrical supply (located in the upper cabinet as close as possible to the microwave oven hood) is required. A time-delay fuse or circuit breaker is recommended. It is recommended that a separate circuit serving only this appliance be provided.




Recommended ground method

For your personal safety, this microwave oven hood must be grounded. This microwave oven hood is equipped with a power supply cord having a 3-prong ground plug. To minimize possible shock hazard, the cord must be plugged into a mating 3-prong ground-type wall receptacle, grounded in accordance with the National Electrical Code, ANSI/NFPA 70 - latest edition (*, see Panel A), and all local codes and ordinances. (See Figure 1.) If a mating wall receptacle is not available, it is the personal responsibility and obligation of the customer to have a properly grounded, 3-prong wall receptacle installed by a qualified electrician.

Venting requirements

⚠ WARNING



Fire Hazard

Venting system must terminate to the outside.

Do Not terminate the duct in an attic or other enclosed space.

Do Not use four-inch laundry-type wall caps.

Do Not use plastic duct.

Failure to follow recommended venting procedures may result in a fire.

CAUTION: To reduce risk of fire and to properly exhaust air, be sure to duct air outside. Do Not vent exhaust air into spaces within walls or ceilings or into attics, crawl spaces or garages.

Duct needed for Installation is not included. Wall and roof caps used must have back-draft damper.

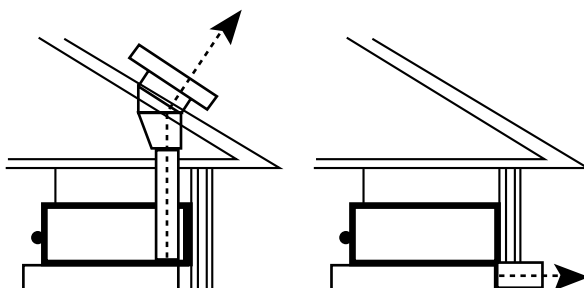
Use metal duct only. Rigid metal duct is recommended.

Flexible metal duct is Not recommended. If flexible metal duct is used, calculate each foot of flexible metal duct as two feet of straight metal duct. Flexible metal elbows count twice as much as standard elbows.

Determine which venting method (roof-venting or wall-venting) you need to use. This microwave oven hood is equipped for ventless (recirculating) installation.

The length of the duct and number of elbows should be kept to a minimum to provide efficient performance. The size of duct should be uniform. Do Not install two elbows together. Use duct tape to seal all joints in the duct system. Use caulking to seal exterior wall or roof opening around cap. Figures 2-5 show common venting methods and types of materials needed.

Note: If wall-venting method is chosen, be sure that there is proper clearance within the wall for the exhaust duct.



roof cap
6" r
dian
roun
elb
3-1/4"
roun
transi

Recommended
Use 3-1/4" x 10" the duct system transitions, wa the equivalent rectangular o best performance elbows. To ca need, add the piece used in examples:

3-1/4" x 10"

3-1/4" x 10"
90° elbow

6" duct system

90° elbows

tran