

This Owner's Manual is provided and hosted by [Appliance Factory Parts](http://ApplianceFactoryParts.com).

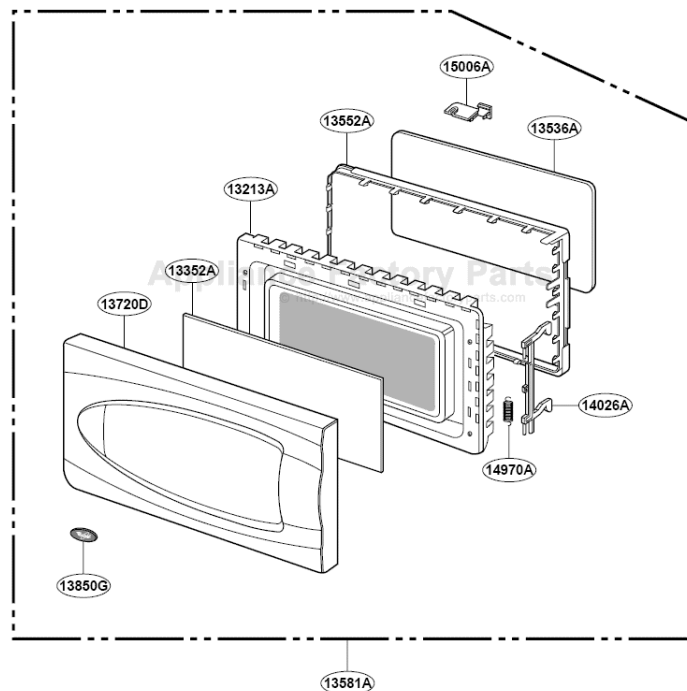


WHIRLPOOL YMT3130SHQ Owner's Manual

[Shop genuine replacement parts for WHIRLPOOL
YMT3130SHQ](#)

DOOR PARTS

YMT3130SH



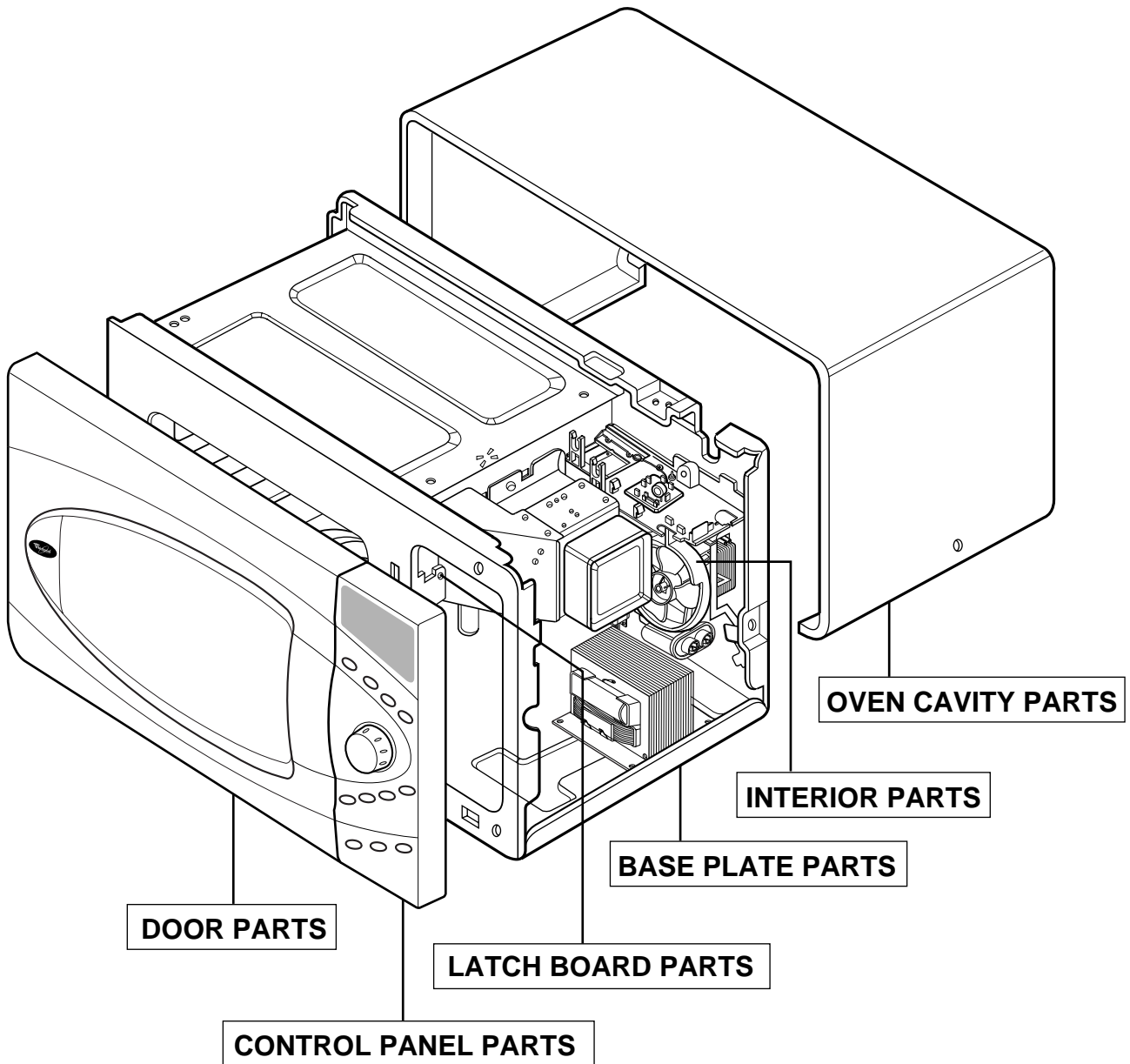
[Find Your WHIRLPOOL Microwave Parts - Select From 1350 Models](#)

----- Manual continues below -----

EXPLODED VIEW

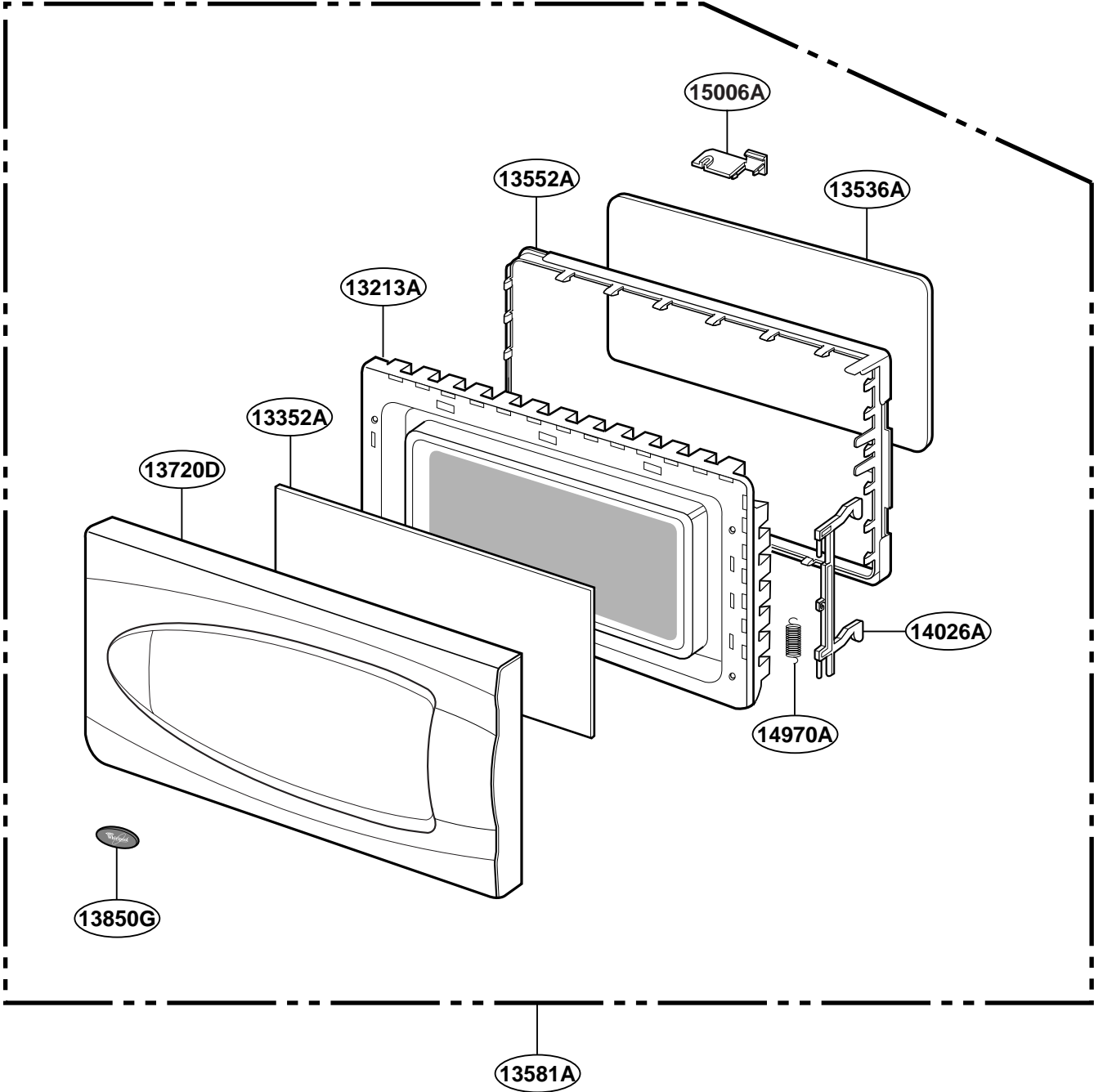
INTRODUCTION

YMT3130SH



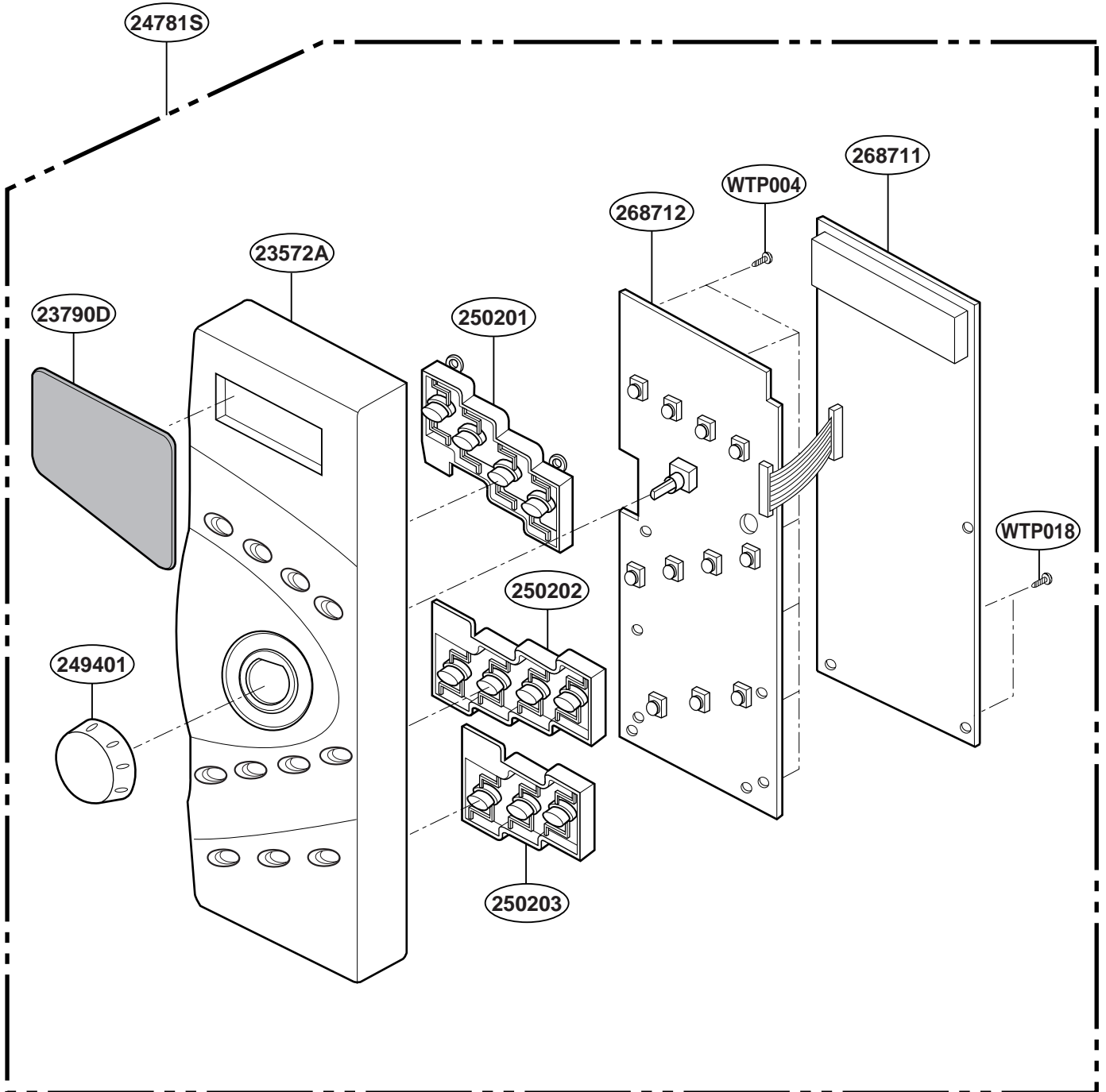
DOOR PARTS

YMT3130SH



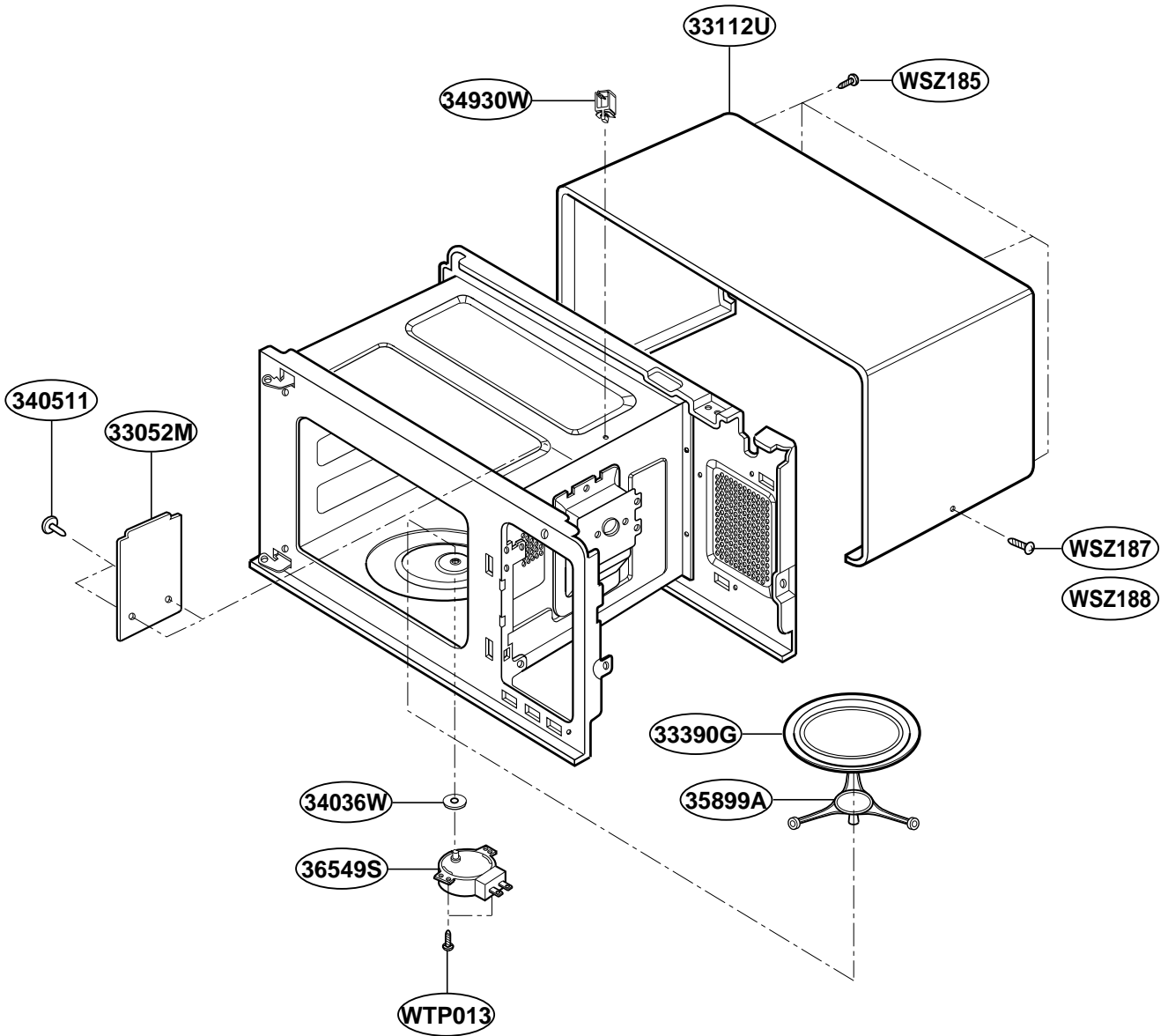
CONTROL PANEL PARTS

YMT3130SH



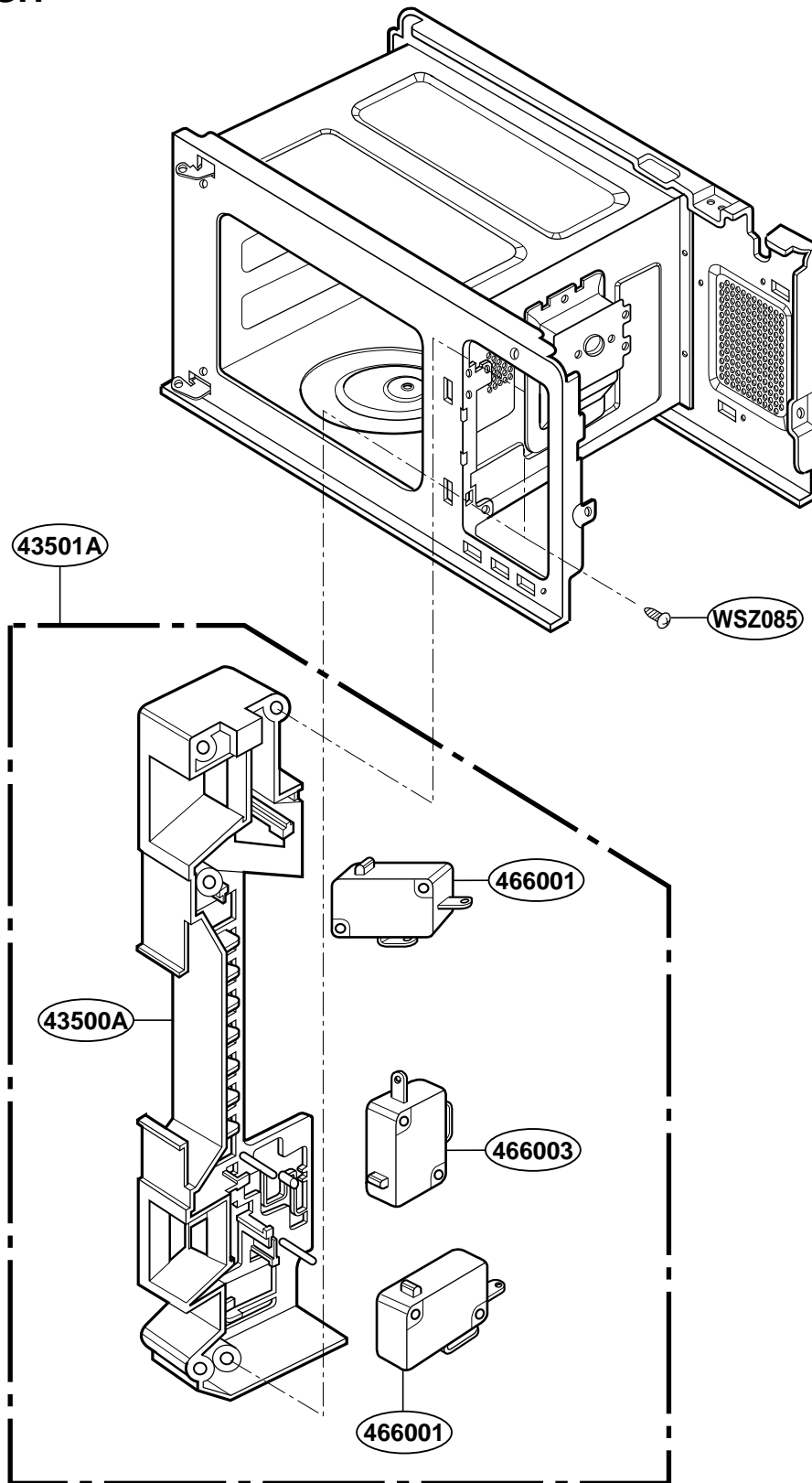
OVEN CAVITY PARTS

YMT3130SH



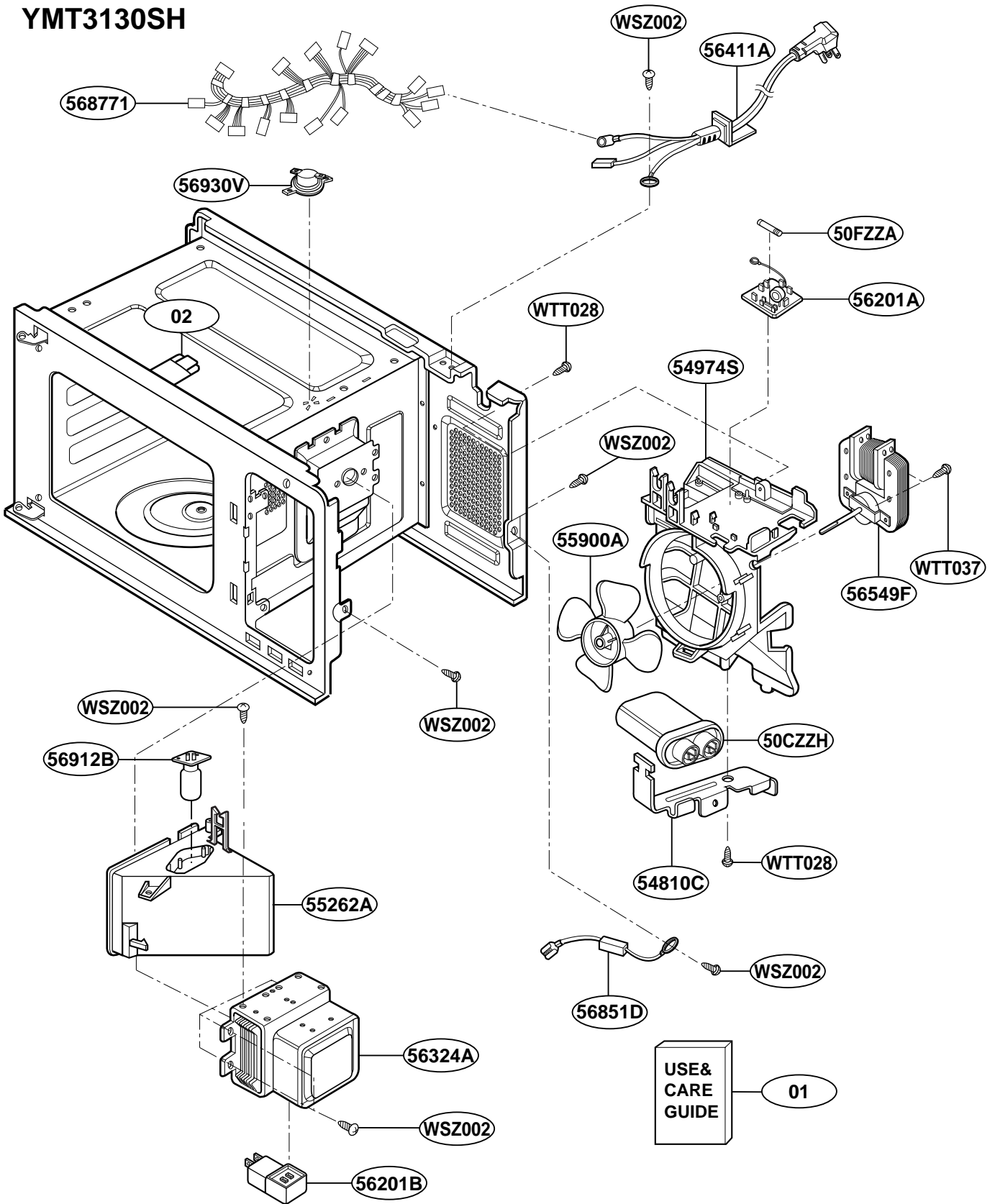
LATCH BOARD PARTS

YMT3130SH



INTERIOR PARTS

YMT3130SH



BASE PLATE PARTS

YMT3130SH

