

This Owner's Manual is provided and hosted by [Appliance Factory Parts](#).



Kenmore 580.54351800 Owner's Manual

[Shop genuine replacement parts for Kenmore
580.54351800](#)



[Find Your Kenmore Dehumidifier Parts - Select From 135 Models](#)

----- Manual continues below -----

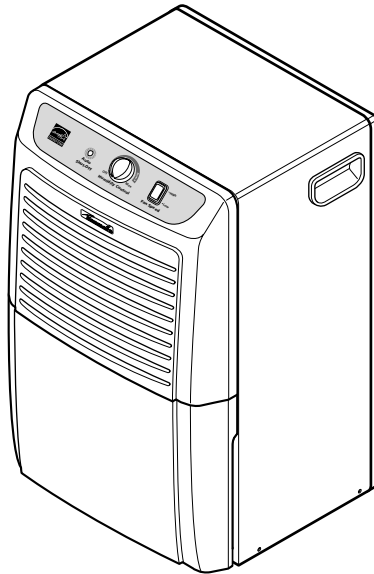
SEARS

**REPAIR
PARTS
LIST**

Model No.
580.54351800

To Call
Toll Free
For Parts:
1-800-366-PART
(1-800-366-7278)
For Service:
1-800-4-MY-HOME
(1-800-469-4663)

Kenmore[®]
DEHUMIDIFIER



The model number of your Dehumidifier can be found on the name plate on the front of the unit behind the condensate bucket

All repair parts listed are available for immediate purchase or special order when you visit your nearest Sears Service Center, or the Service Department at most Sears stores. To order parts by phone, call the toll free parts number listed to the left.

When requesting service or ordering parts, always provide the following information:

- ◆ Product Type
- ◆ Part Number
- ◆ Model Number
- ◆ Part Description

Distributed by Sears, Roebuck and Co., Hoffman Estates, IL 60179

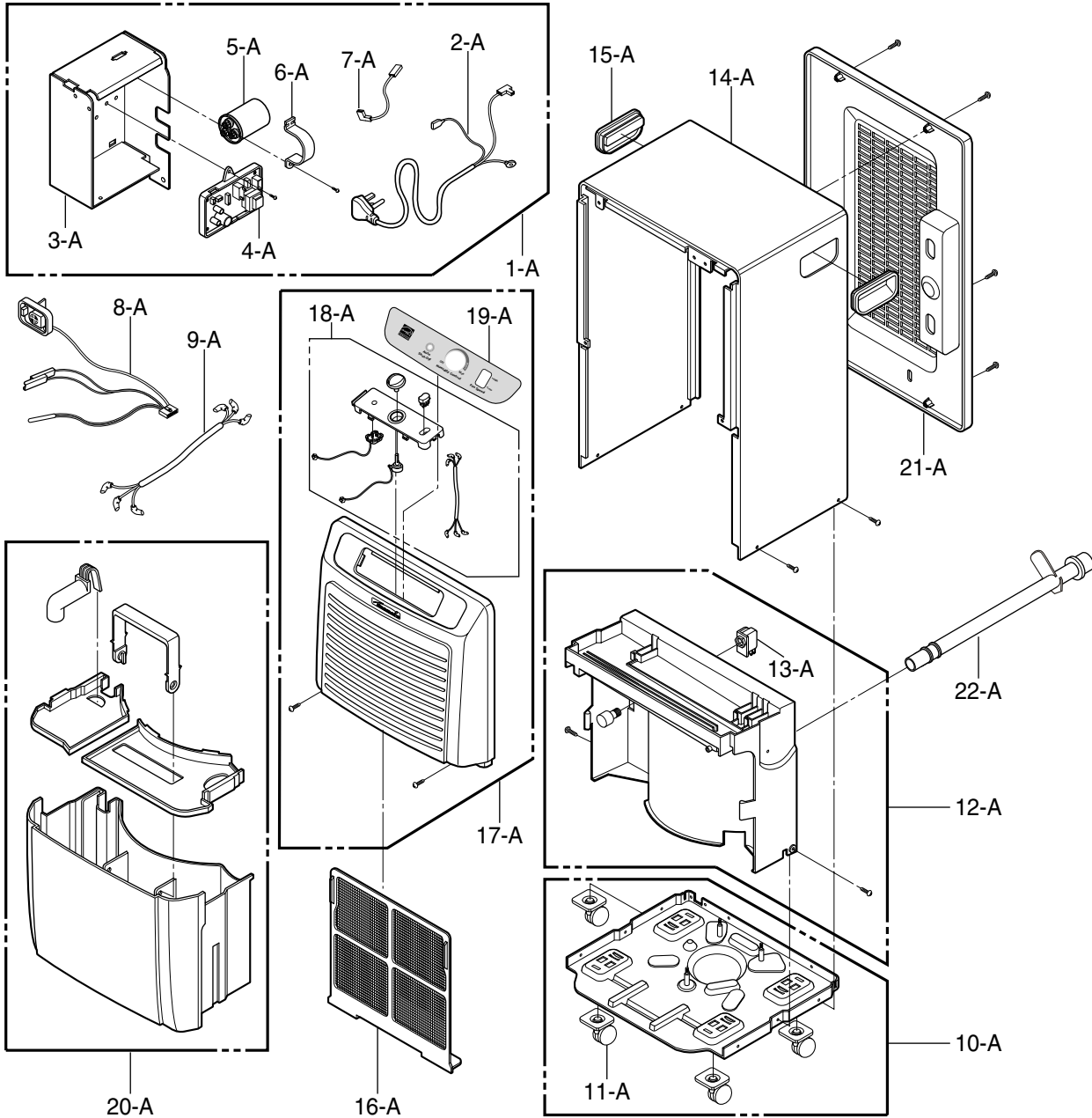
REPAIR PARTS

Dehumidifier
Model No. 580.54351800

To order Parts call Toll Free
1-800-4-MY-HOME®(1-800-469-4663)

CAUTION: Use the Kenmore part number on all orders, **not** the illustration number.

OUTER CASE PARTS AND CONTROL PART



CAUTION: Use the Kenmore part number on all orders, **not** the illustration number.

OUTER CASE PARTS AND CONTROL PART

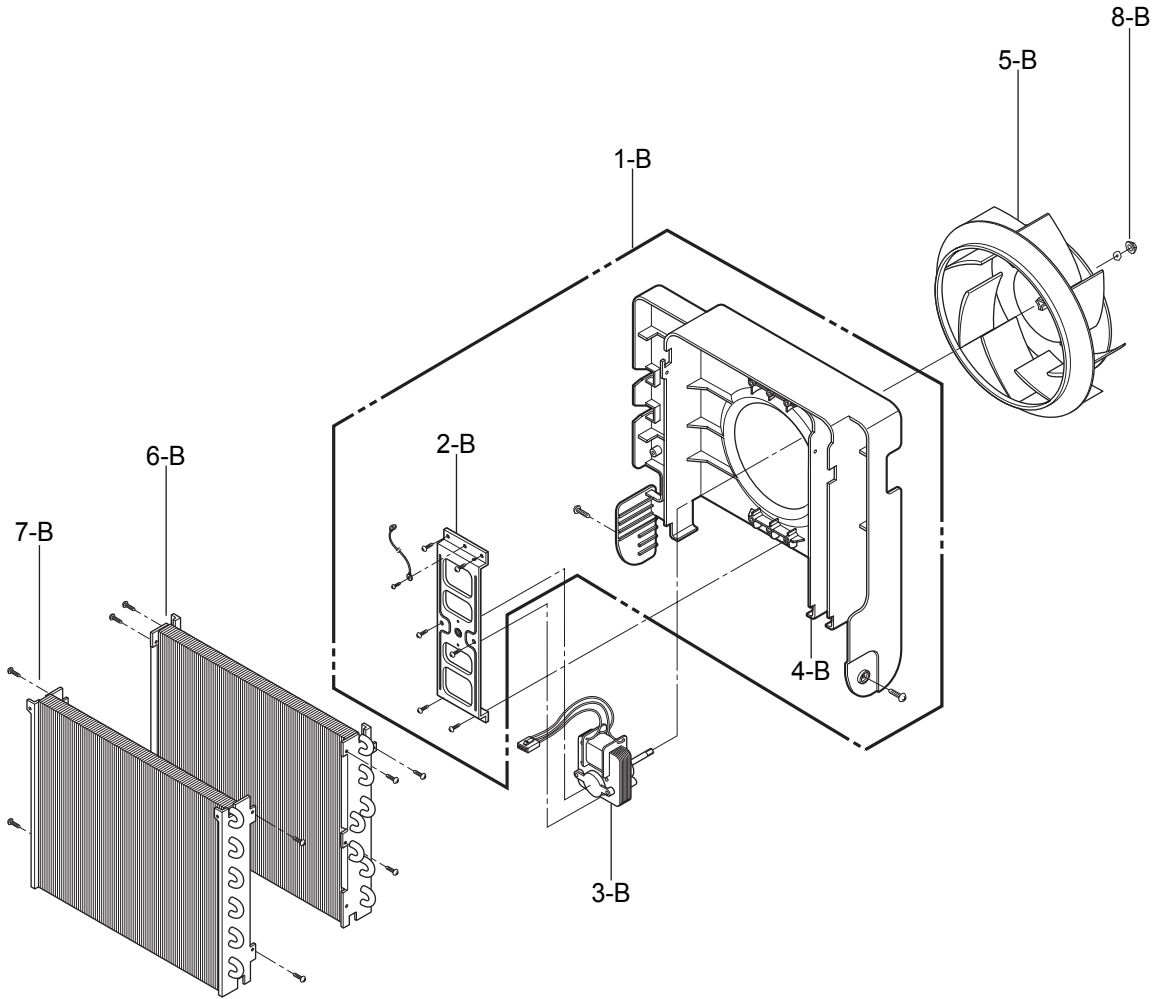
ILLUSTRATION NUMBER	PART NUMBER	DESCRIPTION
1 - A	ABQ36532601	CONTROL BOX ASSEMBLY
2 - A	6411A20001Z	POWER CORD ASSEMBLY
3 - A	4994A20079A	CONTROL BOX, SINGLE
4 - A	EBR39204301	PWB(PCB) ASSEMBLY, MAIN
5 - A	0CZZA20005J	CAPACITOR, DRAWING
6 - A	4H00442J	CLAMP CAPACITOR
7 - A	6862A20013R	CONNECTOR, ASSEMBLY
8 - A	6877A30013M	SENSOR ASSEMBLY
9 - A	6877A20025K	CONNECTOR ASSEMBLY
10 - A	3041A10042E	BASE ASSEMBLY SINGLE
11 - A	4441A30001B	CASTER ASSEMBLY, ROLLER
12 - A	3087A10019C	DRAIN PAN, ASSEMBLY
13 - A	6600A30003C	SWITCH ASSEMBLY, MICRO
14 - A	3090A10042A	CABINET
15 - A	3650A20004A	HANDLE
16 - A	5230A20040A	AIR, FILTER
17 - A	3531A10285A	GRILLE ASSEMBLY, FRONT
18 - A	3551A20122A	COVER ASSEMBLY, DISPLAY
19 - A	3831A20079H	ESCUTCHEON
20 - A	4839A10002B	TANK ASSEMBLY, BUCKET
21 - A	3530A10193B	GRILLE, REAR
22 - A	5214A20027B	HOSE CONNECTOR

= Functional Parts

* = Non-illustrated Parts

CAUTION: Use the Kenmore part number on all orders, not the illustration number.

CYCLE PARTS



CAUTION: Use the Kenmore part number on all orders, **not** the illustration number.

CYCLE PARTS

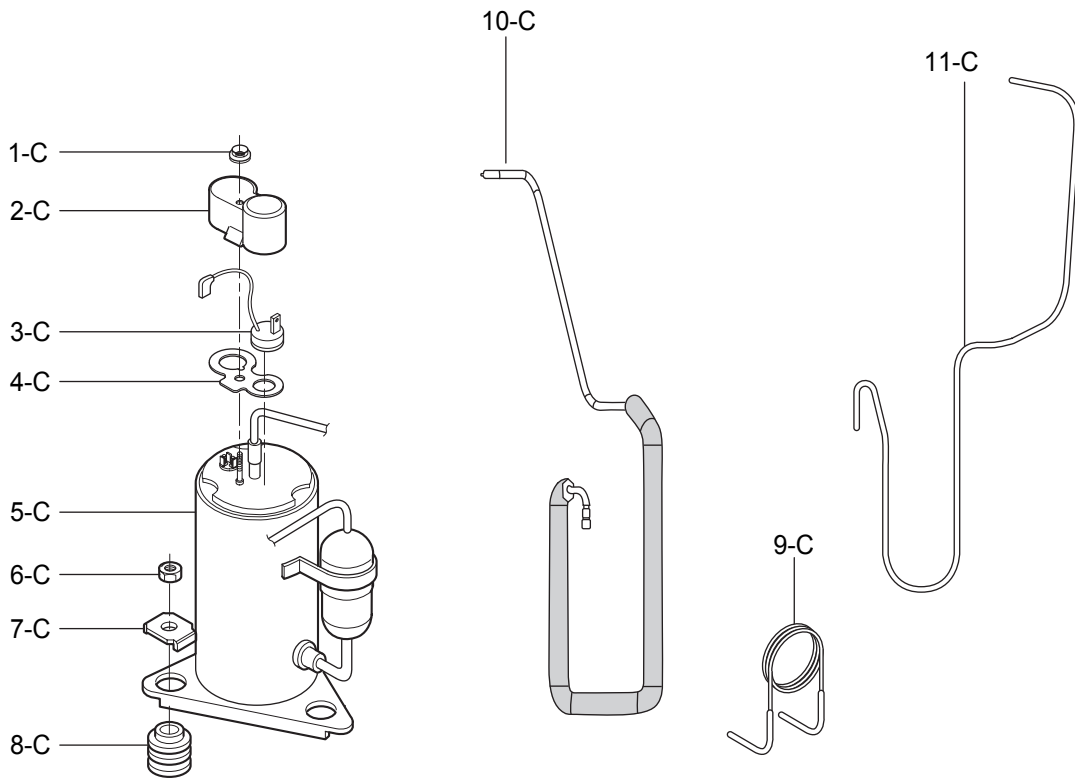
ILLUSTRATION NUMBER	PART NUMBER	DESCRIPTION
1 - B	4999A10002B	SHROUD ASSEMBLY
2 - B	4960A20009B	MOUNT, MOTOR
3 - B	4681A20040J	MOTOR ASSEMBLY, SINGLE
4 - B	4998A10034B	SHROUD
5 - B	5900A20007A	FAN, TURBO
6 - B	5403A10008C	CONDENSER ASSEMBLY
7 - B	5421A10009P	EVAPORATOR ASSEMBLY
8 - B	4H00947A	Nut,Common

= Functional Parts

* = Non-illustrated Parts

CAUTION: Use the Kenmore part number on all orders, **not** the illustration number.

COMPRESSOR PARTS



CAUTION: Use the Kenmore part number on all orders, **not** the illustration number.

COMPRESSOR PARTS

ILLUSTRATION NUMBER	PART NUMBER	DESCRIPTION
1 - C	FAD30091501	NUT, DRAWING
2 - C	MCK36802001	TERMINAL COVER
3 - C	EAF35787201	O.L.P.
4 - C	MDS36801901	GASKET
5 - C	TBZ31986001	COMPRESSOR, SET
6 - C	1NHA0801206	NUT, HEXAGON
7 - C	4810AR4155A	WASHER, PLAIN
8 - C	1WZZA31003A	BUSHING
9 - C	5211A31023A	TUBE ASSEMBLY, CAPILLARY
10 - C	5211A38801B	TUBE ASSEMBLY, SUCTION
11 - C	5211A38800B	TUBE ASSEMBLY, DISCHARGE

= Functional Parts

* = Non-illustrated Parts

Get it fixed, at your home or ours!

Your Home

For repair – **in your home** – of **all** major brand appliances, lawn and garden equipment, or heating and cooling systems, **no matter who made it, no matter who sold it!**

For the replacement parts, accessories and owner's manuals that you need to do-it-yourself.

For Sears professional installation of home appliances and items like garage door openers and water heaters.

1-800-4-MY-HOME[®] (1-800-469-4663)

Call anytime, day or night (U.S.A. and Canada)

www.sears.com www.sears.ca

For expert home solutions advice: www.managemyhome.com

Our Home

For repair of carry-in items like vacuums, lawn equipment, and electronics, call or go on-line for the location of your nearest

Sears Parts & Repair Service Center

1-800-488-1222 (U.S.A.) **1-800-469-4663** (Canada)

Call anytime, day or night

www.sears.com www.sears.ca

To purchase a protection agreement on a product serviced by Sears:

1-800-827-6655 (U.S.A.)

1-800-361-6665 (Canada)

Para pedir servicio de reparación a domicilio, y para ordenar piezas:

1-888-SU-HOGAR[®]

(1-888-784-6427)

Au Canada pour service en français:

1-800-LE-FOYER^{MC}

(1-800-533-6937)

www.sears.ca

The Sears logo is centered at the bottom of the page. It features the word "Sears" in a bold, serif font. The letter "S" is significantly larger than the other letters and has a thick, curved underline that sweeps under the "e" and "a".

© Registered Trademark / TM Trademark / SM Service Mark of Sears Brands, LLC

© Marca Registrada / TM Marca de Fábrica / SM Marca de Servicio de Sears Brands, LLC

^{MC} Marque de commerce / ^{MD} Marque déposée de Sears Brands, LLC

© Sears Brands, LLC
Part No.: MFL37558704