

## PARTS LIST

## Vacuum Cleaner

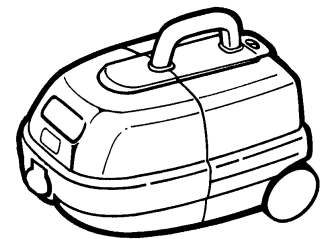
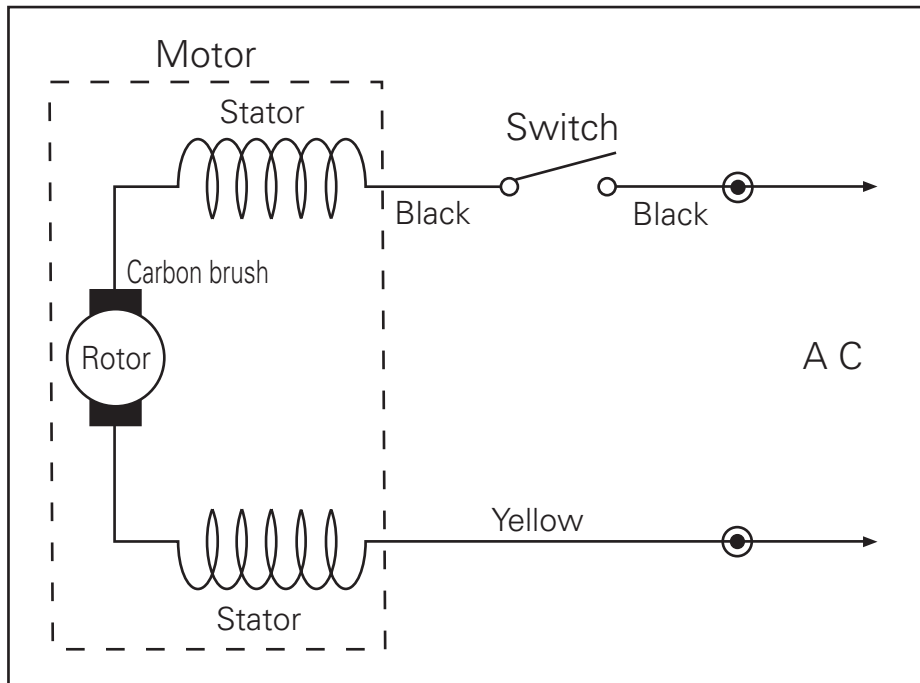
## SC-240 (U.S.A.)

### Specifications

Power source	: AC 120 V 60 Hz
Power consumption	: 6.0 A
Motor revolution	: 31,200 r.p.m.
Vacuum	: 17,500 Pa
Dimensions	: 13 - 19/32" x 9 - 17/32" x 10 - 1/4"
L X W X H	(345 x 242 x 260 mm)
Net weight	: 5 lbs. 8 ozs. ( 2.5 Kg )
Attachment	: Suction hose, Floor tool, Rotary bend, Connection pipe, Crevice tool, Upholstery brush

PRODUCT CODE NO.  
1 - 326 730 01 ( L )

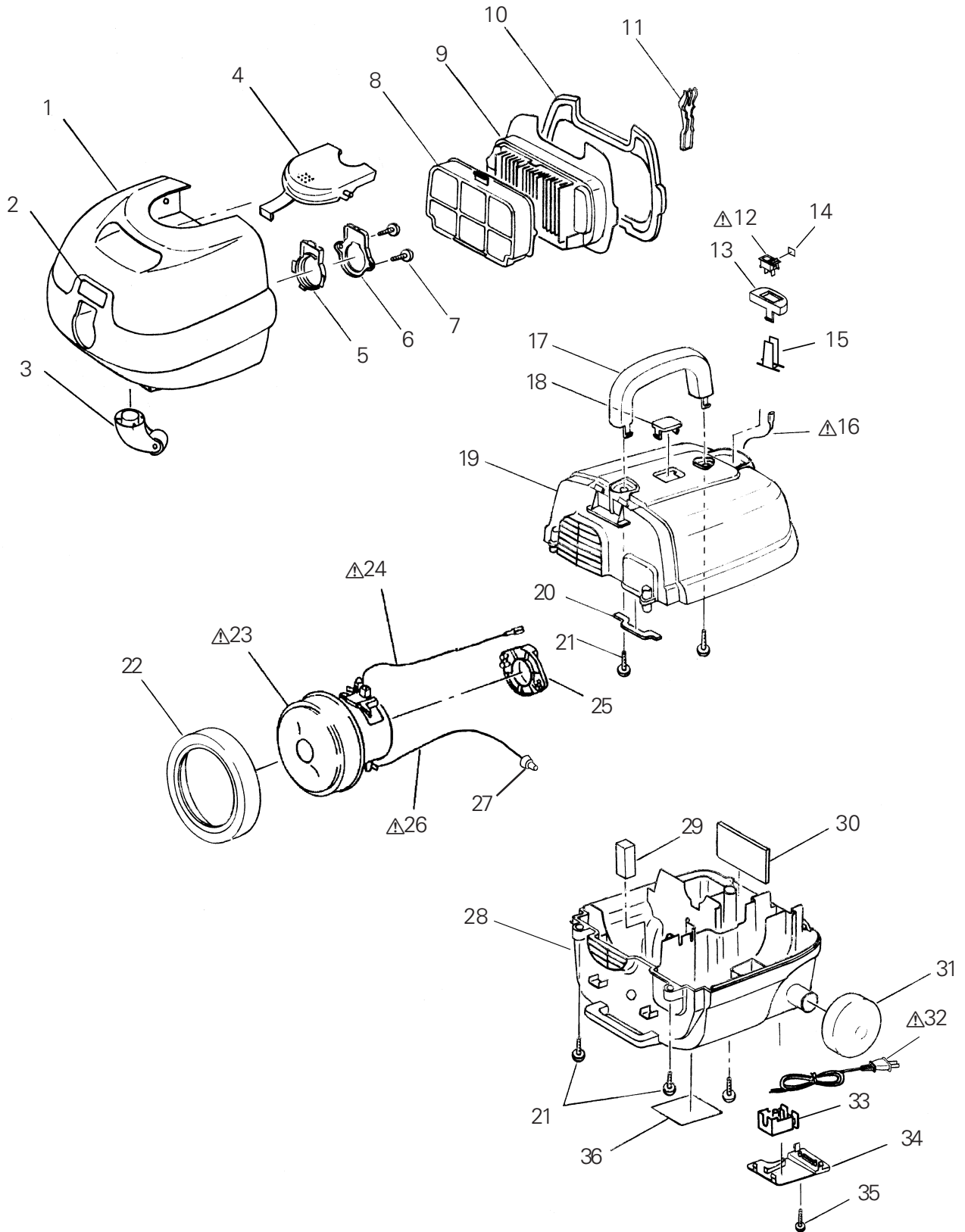
### Wiring Diagram



**Exploded View  
(Main unit)**

NOTE: The parts marked with  $\triangle$  have special characteristics of safety,  
if replace the  $\triangle$  mark parts, use only SANYO specified parts.

**SC-240(U.S.A.)**



**Parts List  
(Main unit)**

NOTE: The parts marked with  $\triangle$  have special characteristics of safety,  
if replace the  $\triangle$  mark parts,use only SANYO specified parts.

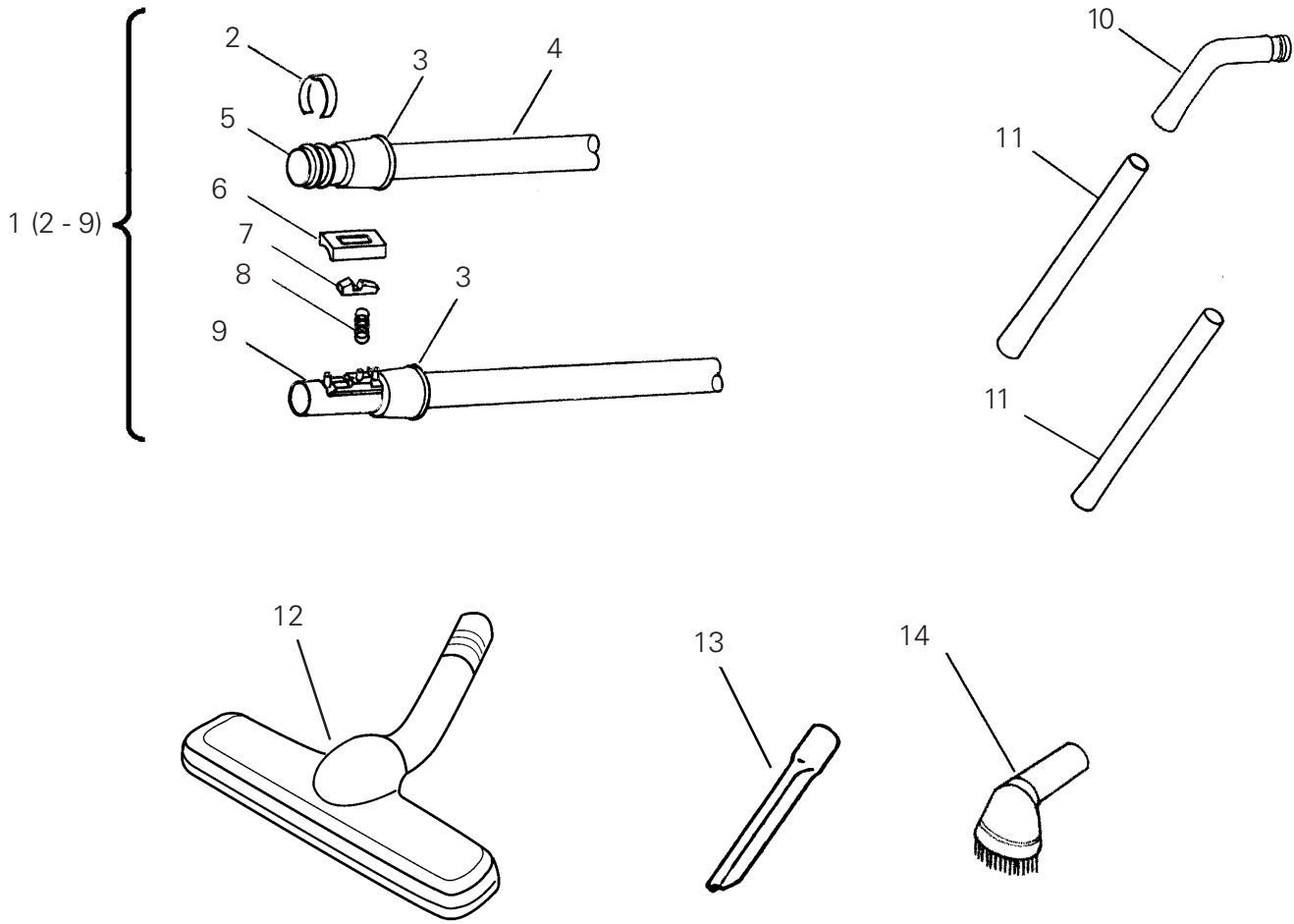
**SC-240(U.S.A.)**

Key No.	Parts No.	Description	Q'ty	Key No.	Parts No.	Description	Q'ty
1	663 000 0625	DUST BOX (B-473)	1				
2	663 000 0021	DUST BOX INSCRIPTION	1				
3	663 000 0038	CASTER	1				
4	663 000 0632	CRAMP HOOK (B-473)	1				
5	663 000 0052	AIR INLET PACKING (NN-B)	1				
6	663 000 0069	AIR INLET FITTING	1				
7	663 000 0076	SCREW (4X16)	2				
8	663 000 0083	PRE FILTER (NATURAL)	1				
9	663 000 0090	DUST FILTER ASSEMBLY	1				
10	663 000 0106	DUST FILTER PACKING (NN-B)	1				
11	663 000 0113	DUSTER ARM (NN-B)	1				
$\triangle$ 12	663 000 0120	SWITCH	1				
13	663 000 0649	SWITCH ORNAMENT (B-474)	1				
14	663 000 0656	CAUTION LABEL	1				
15	663 000 0175	SWITCH HOLDER	1				
$\triangle$ 16	663 000 0663	CORD ASSEMBLY (BLACK) L=280	1				
17	663 000 0144	HANDLE (NN-B)	1				
18	663 000 0670	CASE ORNAMENT (B-474)	1				
19	663 000 0687	CASE UPPER (B-474)	1				
20	663 000 0267	POLYURETHANE FOAM A	1				
21	663 000 0243	SCREW (4X20)	6				
22	663 000 0274	MOTOR CUSHION FRONT	1				
$\triangle$ 23	663 000 0281	MOTOR COMP. (AC 120 V)	1				
$\triangle$	663 000 0298	CARBON BRUSH ASSEMBLY	2				
$\triangle$ 24	663 000 0694	CORD ASSEMBLY (YELLOW) L=300	1				
25	663 000 0328	MOTOR CUSHION REAR	1				
$\triangle$ 26	663 000 0304	CORD ASSEMBLY (BLACK) L=350	1				
27	663 000 0700	WIRE CONNECTOR (CE-230)	2				
28	663 000 0717	CASE LOWER (B-474)	1				
29	663 000 0380	INDICATOR FILTER	1				
30	663 000 0397	OUTLET FILTER	1				
31	663 000 0403	WHEEL REAR (NN-B)	2				
$\triangle$ 32	663 000 0724	POWER CORD (U2)	1				
33	663 000 0731	CORD INLET COVER S	1				
34	663 000 0748	CORD INLET COVER (B-474)	1				
35	663 000 0427	SCREW (3X20)	1				
36	663 000 0755	NAME PLATE	1				

COLOR CODE:B-473/B-474(BLUE),NN-B(BLACK)

**Exploded View  
(Attachment)**

**SC-240(U.S.A.)**



**Parts List**

Key No.	Parts No.	Description	Q'ty
1	663 000 0441	SUCTION HOSE COMP. KEYNO.2-9	1
2	663 000 0458	ROTARY BEND SET RING (NN-B)	1
3	663 000 0465	SUCTION HOSE COVER (NN-B)	2
4	663 000 0472	SUCTION HOSE (NN-B)	1
5	663 000 0489	HOSE GRIP PIPE (NN-B)	1
6	663 000 0496	HOSE HOOK COVER	1
7	663 000 0502	HOSE HOOK	1
8	663 000 0519	HOSE HOOK SPRING	1
9	663 000 0526	HOSE JOINT PIPE A (NN-B)	1
10	663 000 0533	ROTARY BEND (NN-B)	1
11	663 000 0540	CONNECTION PIPE (NN-B)	2
12	663 000 0571	FLOOR TOOL COMP.	1
13	663 000 0588	CREVICE TOOL	1
14	663 000 0595	UPHOLSTERY BRUSH ASSEMBLY	1
	663 000 0762	INSTRUCTION MANUAL	1

Key No.	Parts No.	Description	Q'ty

COLOR CODE:NN-B(BLACK)

For Parts or Service Contact  
**SANYO FISHER SERVICE CORPORATION.**  
 21605 Plummer Street,  
 Chatsworth, CA 91311