

This Owner's Manual is provided and hosted by [Appliance Factory Parts](#).



# Kenmore 580.54701700 Owner's Manual

[Shop genuine replacement parts for Kenmore  
580.54701700](#)



[Find Your Kenmore Dehumidifier Parts - Select From 135 Models](#)

----- Manual continues below -----

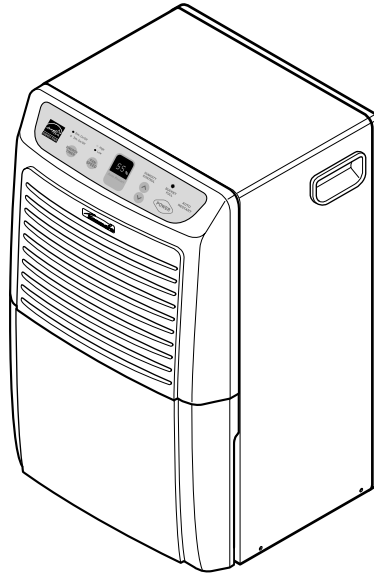
**SEARS**

**REPAIR  
PARTS  
LIST**

Model No.  
580.54701700

To Call  
Toll Free  
For Parts:  
1-800-366-PART  
(1-800-366-7278)  
For Service:  
1-800-4-MY-HOME  
(1-800-469-4663)

**Kenmore**<sup>®</sup>  
**DEHUMIDIFIER**



The model number of your Dehumidifier can be found on the name plate on the front of the unit behind the condensate bucket

All repair parts listed are available for immediate purchase or special order when you visit your nearest Sears Service Center, or the Service Department at most Sears stores. To order parts by phone, call the toll free parts number listed to the left.

When requesting service or ordering parts, always provide the following information:

- ◆ Product Type
- ◆ Part Number
- ◆ Model Number
- ◆ Part Description

---

Distributed by Sears, Roebuck and Co., Hoffman Estates, IL 60179

---

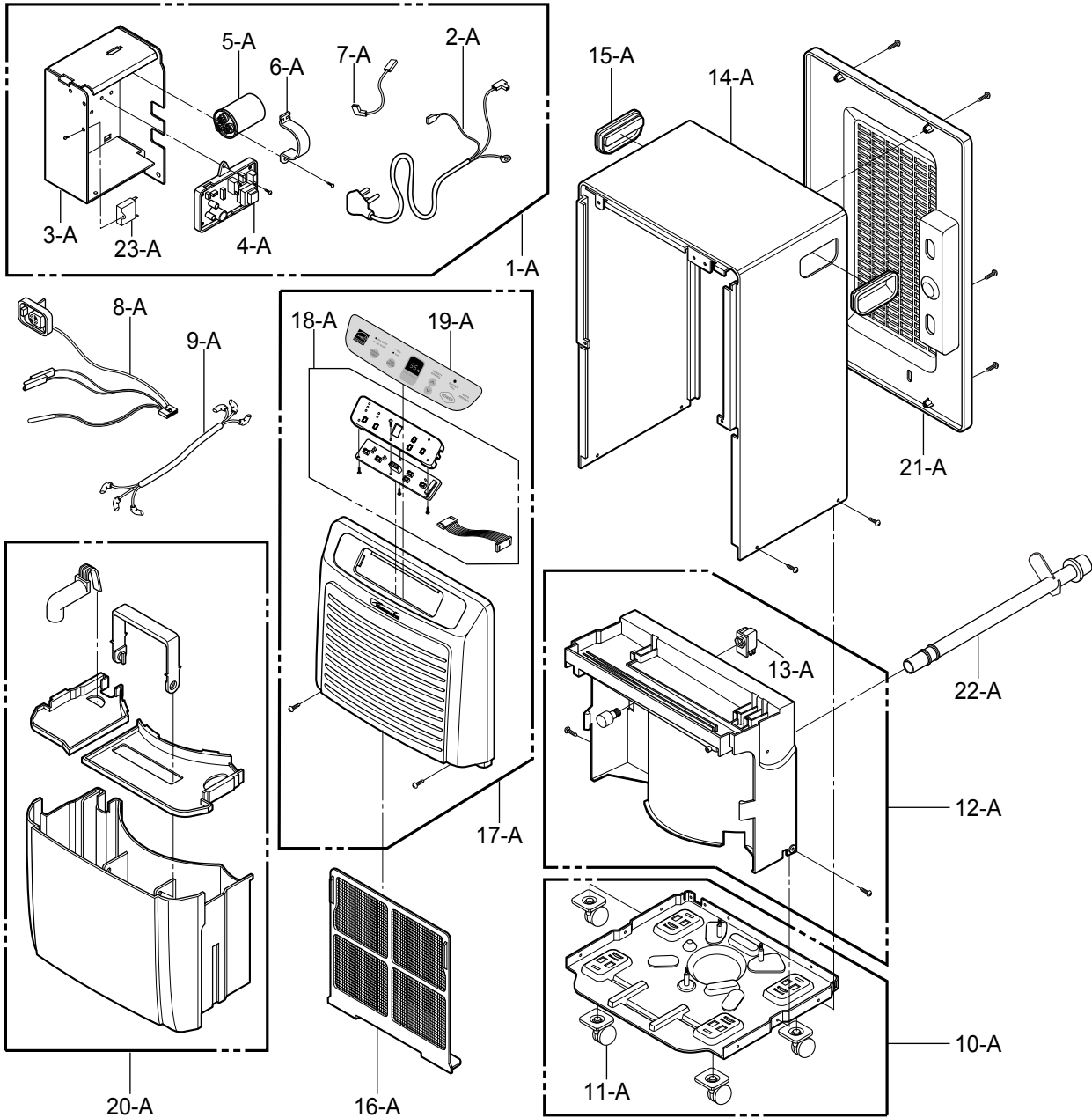
# REPAIR PARTS

Dehumidifier  
Model No. 580.54701700

To order Parts call Toll Free  
1-800-4-MY-HOME®(1-800-469-4663)

CAUTION: Use the Kenmore part number on all orders, **not** the illustration number.

## OUTER CASE PARTS AND CONTROL PART



CAUTION: Use the Kenmore part number on all orders, **not** the illustration number.

### OUTER CASE PARTS AND CONTROL PART

---

ILLUSTRATION NUMBER	PART NUMBER	DESCRIPTION
1 - A	4995A20622D	CONTROL BOX ASSEMBLY
2 - A	6411A20001Z	POWER CORD ASSEMBLY
3 - A	4994A20079A	CONTROL BOX, SINGLE
4 - A	6871A20888D	PWB(PCB) ASSEMBLY, MAIN
5 - A	0CZZA20005J	CAPACITOR, DRAWING
6 - A	4H00442J	CLAMP CAPACITOR
7 - A	6862A20013R	CONNECTOR, ASSEMBLY
8 - A	6877A30013L	SENSOR ASSEMBLY
9 - A	6877A20025L	CONNECTOR ASSEMBLY
10 - A	3041A10042A	BASE ASSEMBLY SINGLE
11 - A	4441A30001B	CASTER ASSEMBLY, ROLLER
12 - A	3087A10019E	DRAIN PAN, ASSEMBLY
13 - A	6600A30003C	SWITCH ASSEMBLY, MICRO
14 - A	3090A10042A	CABINET
15 - A	3650A20004A	HANDLE
16 - A	5230A20040A	AIR, FILTER
17 - A	3531A18012D	GRILLE ASSEMBLY, FRONT
18 - A	3551A20109D	COVER ASSEMBLY, DISPLAY
19 - A	3831A20079D	ESCUTCHEON
20 - A	4839A10002B	TANK ASSEMBLY, BUCKET
21 - A	3530A10193B	GRILLE, REAR
22 - A	5214A20027B	HOSE CONNECTOR
23 - A	3H00660V	CAPACITOR,FILM

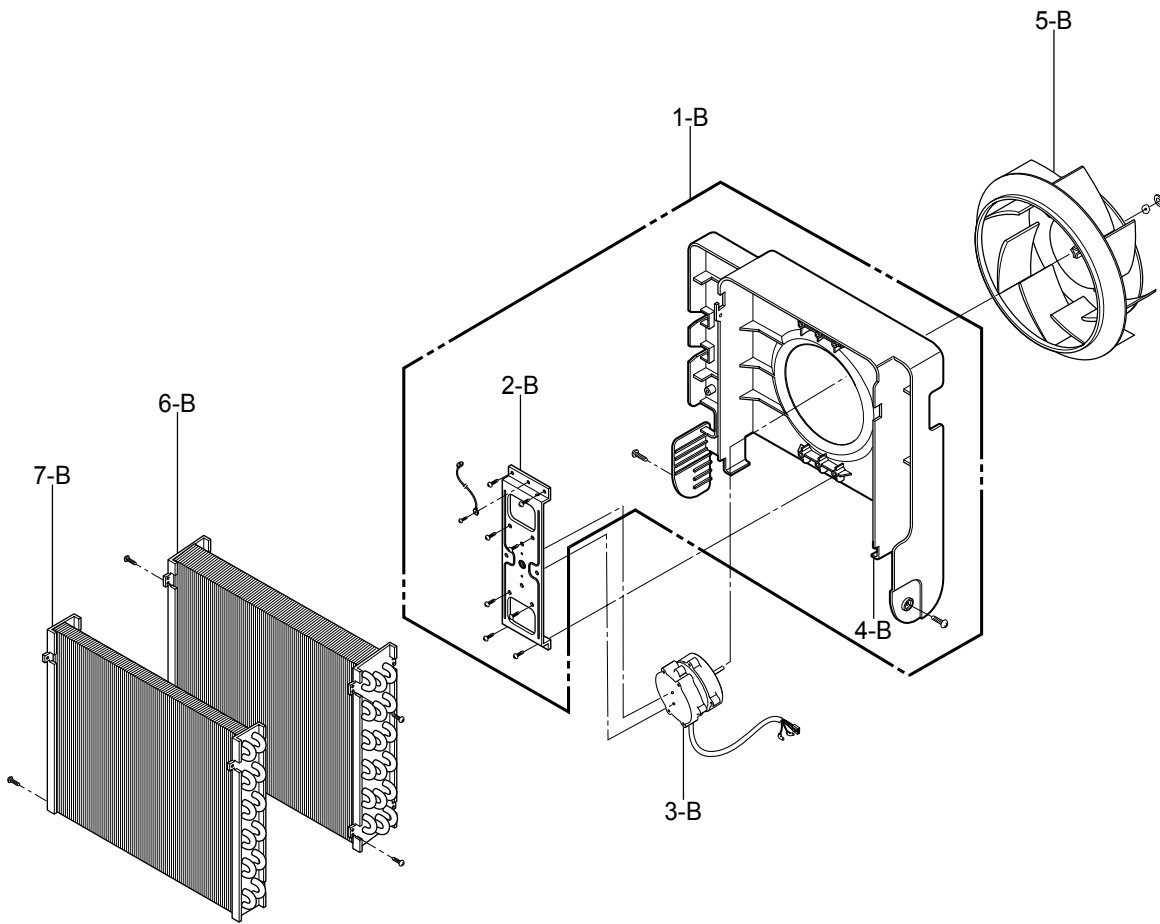
# = Functional Parts

\* = Non-illustrated Parts

CAUTION: Use the Kenmore part number on all orders, **not** the illustration number.

### CYCLE PARTS

---



CAUTION: Use the Kenmore part number on all orders, **not** the illustration number.

### CYCLE PARTS

---

ILLUSTRATION NUMBER	PART NUMBER	DESCRIPTION
1 - B	4999A10002C	SHROUD ASSEMBLY
2 - B	4960A20009D	MOUNT, MOTOR
3 - B	EAU32357502	MOTOR ASSEMBLY, SINGLE
4 - B	4998A10034C	SHROUD
5 - B	5900A20007B	FAN, TURBO
6 - B	5403A20114F	CONDENSER ASSEMBLY
7 - B	5421A10009R	EVAPORATOR ASSEMBLY

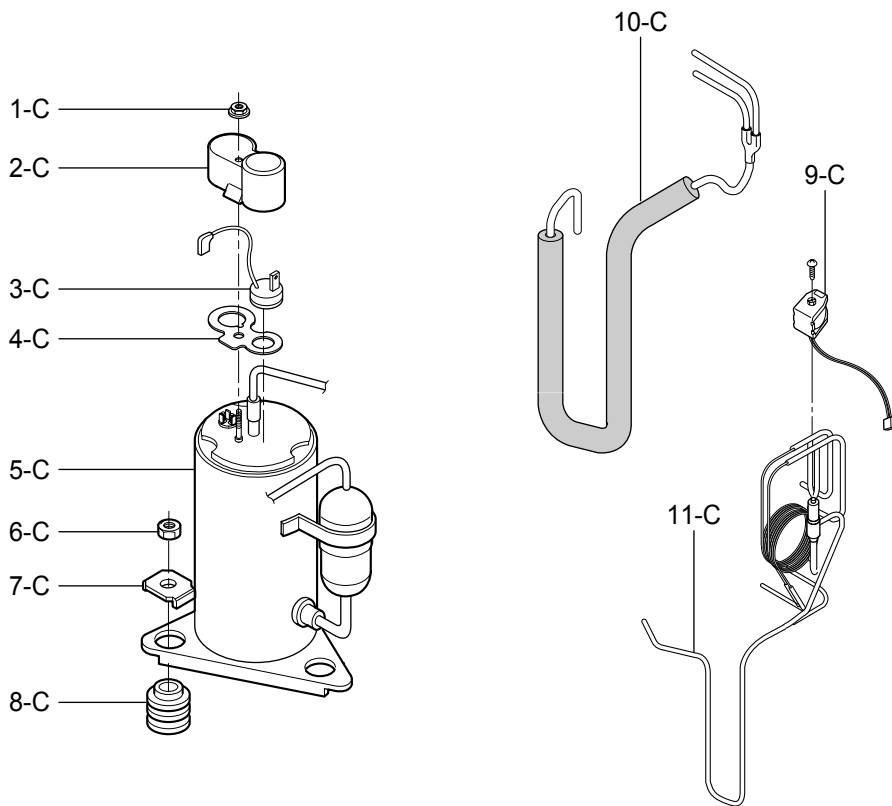
# = Functional Parts

\* = Non-illustrated Parts

CAUTION: Use the Kenmore part number on all orders, **not** the illustration number.

### COMPRESSOR PARTS

---



CAUTION: Use the Kenmore part number on all orders, **not** the illustration number.

### COMPRESSOR PARTS

---

ILLUSTRATION NUMBER	PART NUMBER	DESCRIPTION
1 - C	1NZZUTL001A	NUT, DRAWING
2 - C	3550UTL006A	TERMINAL COVER
3 - C	6750U-L048A	O.L.P.
4 - C	4986UTL001G	GASKET
5 - C	2520UCBA007	COMPRESSOR, SET
6 - C	1NHA0801206	NUT, HEXAGON
7 - C	4810AR4155A	BRACKET, WASHER
8 - C	4830A30005A	BUSHING
9 - C	6421A20003K	COIL SOLENOID ASSEMBLY
10 - C	5211A10454B	TUBE ASSEMBLY, SUCTION
11 - C	5211A11069B	TUBE ASSEMBLY, DISCHARGE

# = Functional Parts

\* = Non-illustrated Parts



# Get it fixed, at your home or ours!

## Your Home

For repair – **in your home** – of **all** major brand appliances, lawn and garden equipment, or heating and cooling systems, **no matter who made it, no matter who sold it!**

For the replacement parts, accessories and owner's manuals that you need to do-it-yourself.

For Sears professional installation of home appliances and items like garage door openers and water heaters.

**1-800-4-MY-HOME<sup>®</sup>** (1-800-469-4663)

Call anytime, day or night (U.S.A. and Canada)

[www.sears.com](http://www.sears.com)    [www.sears.ca](http://www.sears.ca)

*For expert home solutions advice: [www.managemyhome.com](http://www.managemyhome.com)*

---

## Our Home

For repair of carry-in items like vacuums, lawn equipment, and electronics, call or go on-line for the location of your nearest

### Sears Parts & Repair Service Center

**1-800-488-1222** (U.S.A.)    **1-800-469-4663** (Canada)

Call anytime, day or night

[www.sears.com](http://www.sears.com)    [www.sears.ca](http://www.sears.ca)

---

To purchase a protection agreement on a product serviced by Sears:

**1-800-827-6655** (U.S.A.)

**1-800-361-6665** (Canada)

---

Para pedir servicio de reparación a domicilio, y para ordenar piezas:

**1-888-SU-HOGAR<sup>®</sup>**

(1-888-784-6427)

Au Canada pour service en français:

**1-800-LE-FOYER<sup>MC</sup>**

(1-800-533-6937)

[www.sears.ca](http://www.sears.ca)



© Registered Trademark / <sup>TM</sup> Trademark / <sup>SM</sup> Service Mark of Sears Brands, LLC

© Marca Registrada / <sup>TM</sup> Marca de Fábrica / <sup>SM</sup> Marca de Servicio de Sears Brands, LLC

<sup>MC</sup> Marque de commerce / <sup>MD</sup> Marque déposée de Sears Brands, LLC

© Sears Brands, LLC

Part No.: MFL37558703