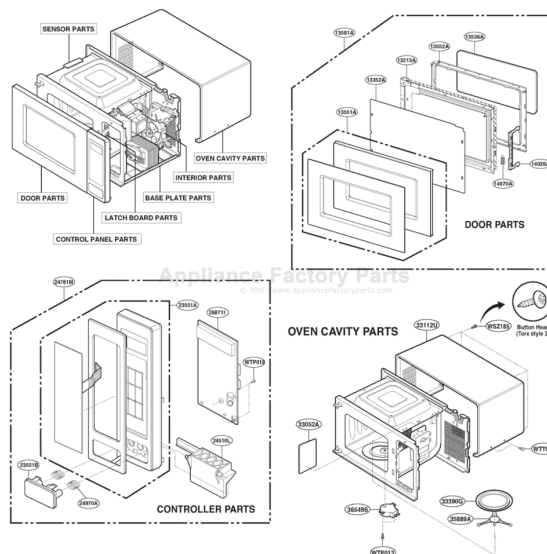


This Owner's Manual is provided and hosted by Appliance Factory Parts.



WHIRLPOOL KCMS2055SSS Owner's Manual

[Shop genuine replacement parts for WHIRLPOOL
KCMS2055SSS](#)



[Find Your WHIRLPOOL Microwave Parts - Select From 1350 Models](#)

----- Manual continues below -----

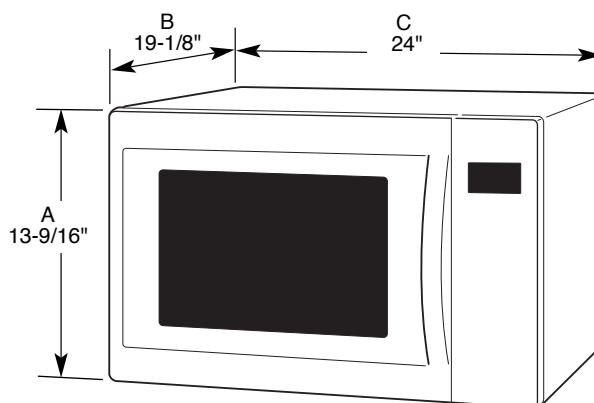
KitchenAid[®] Countertop Microwave Ovens

PRODUCT MODEL NUMBERS

KCMS2055S

Electrical: A 120-volt, 60 Hz, AC-only, 15 or 20 amp fused electrical supply with a fuse or circuit breaker is required. It is recommended that a separate circuit serving only this appliance be provided.

OVERALL DIMENSIONS



Height (A)	13-9/16"
Depth (B)	19-1/8"
Width (C)	24"

NOTE: Microwave oven can be built into a wall or cabinet over approved electric single ovens only using approved trim kits. See dealer for details.

NOTE: Do not block the exhaust vents or air intake openings. Allow a few inches of space at the back and side of the oven where the exhaust vents are located. Blocking the exhaust vents could cause damage to the oven and poor cooking results.