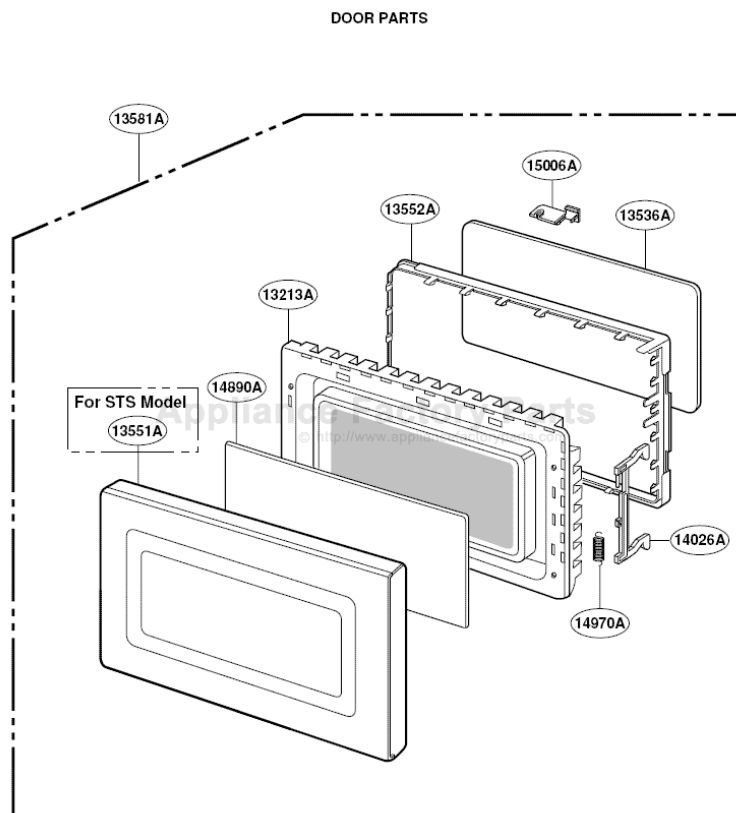


This Owner's Manual is provided and hosted by [Appliance Factory Parts](http://www.ApplianceFactoryParts.com).



Kenmore 721.61283100 Owner's Manual

[Shop genuine replacement parts for Kenmore
721.61283100](#)

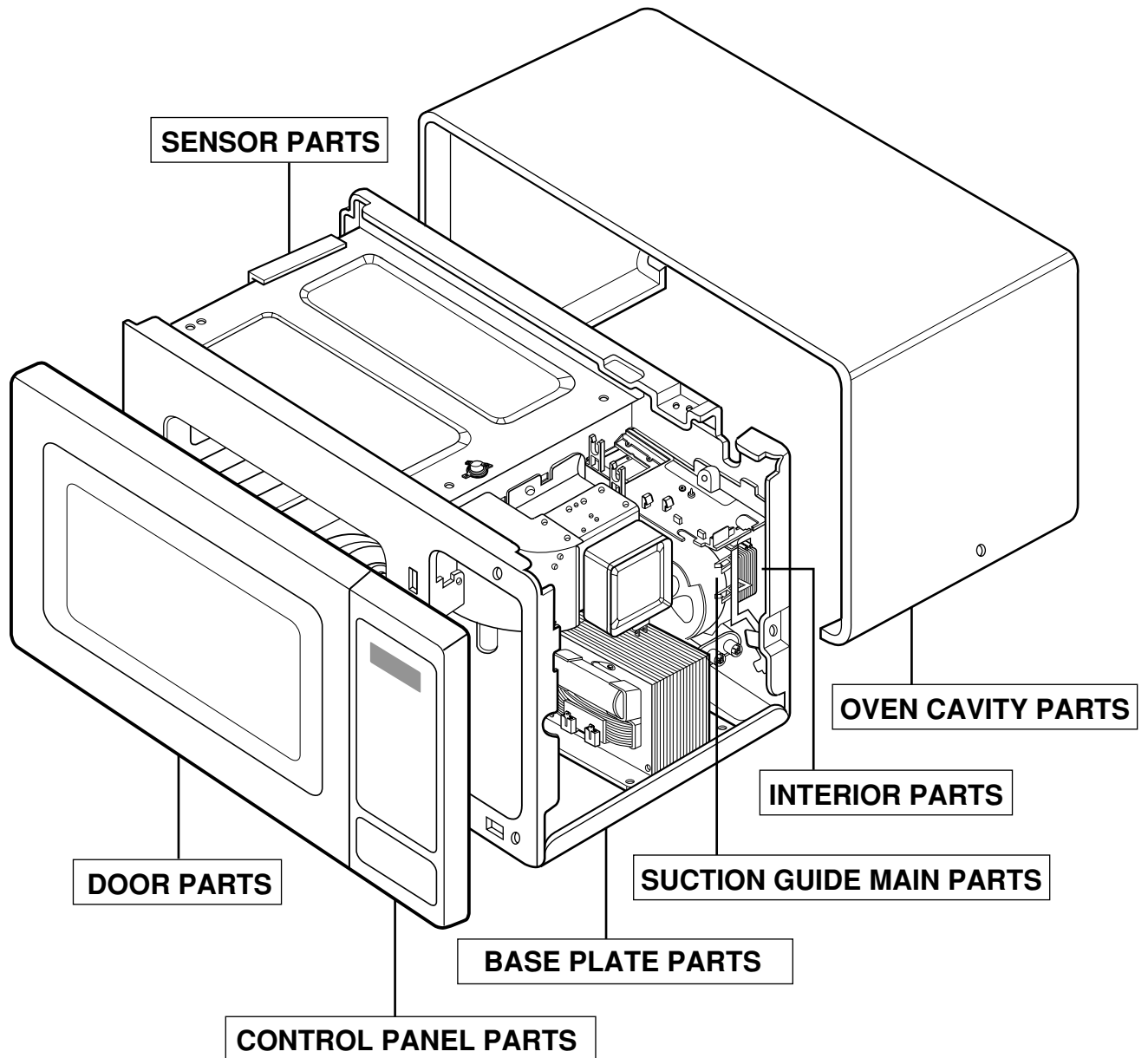


[Find Your Kenmore Microwave Parts - Select From 532 Models](#)

----- Manual continues below -----

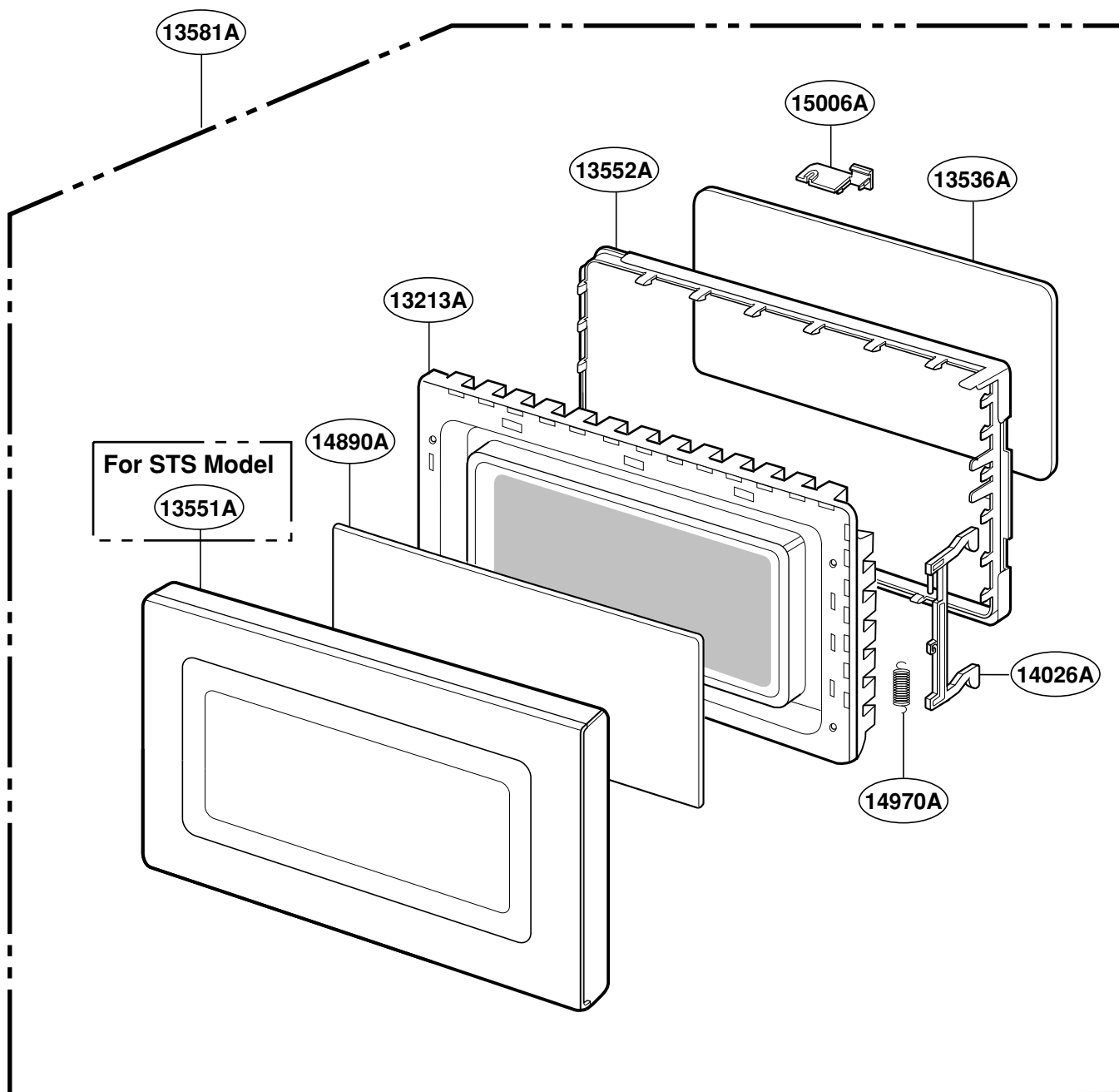
**KENMORE MICROWAVE OVEN
MODEL NO. 721.61283100**

INTRODUCTION



*** ALL SERVICE ON MICROWAVE OVENS SHOULD BE PERFORMED BY A QUALIFIED TECHNICIAN USING APPROVED TESTING EQUIPMENT. CUSTOMERS SHOULD NOT ATTEMPT TO REPLACE PARTS IDENTIFIED BY A TRIPLE ASTERISK(***)

July, 2001

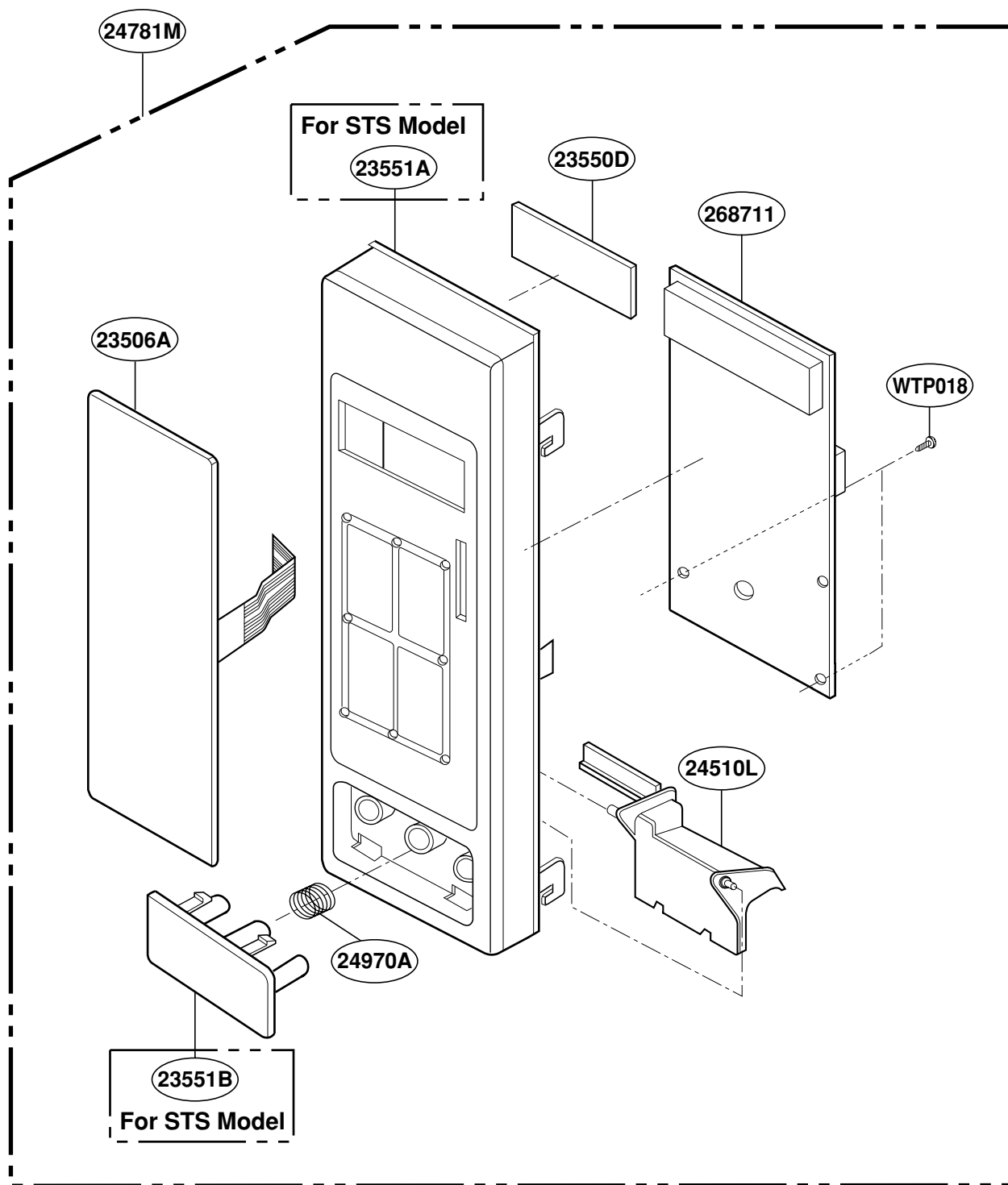
**KENMORE MICROWAVE OVEN
MODEL NO. 721.61283100****DOOR PARTS**

*** ALL SERVICE ON MICROWAVE OVENS SHOULD BE PERFORMED BY A QUALIFIED TECHNICIAN USING APPROVED TESTING EQUIPMENT. CUSTOMERS SHOULD NOT ATTEMPT TO REPLACE PARTS IDENTIFIED BY A TRIPLE ASTERISK(***)

July, 2001

KENMORE MICROWAVE OVEN
MODEL NO. 721.61283100

CONTROLLER PARTS

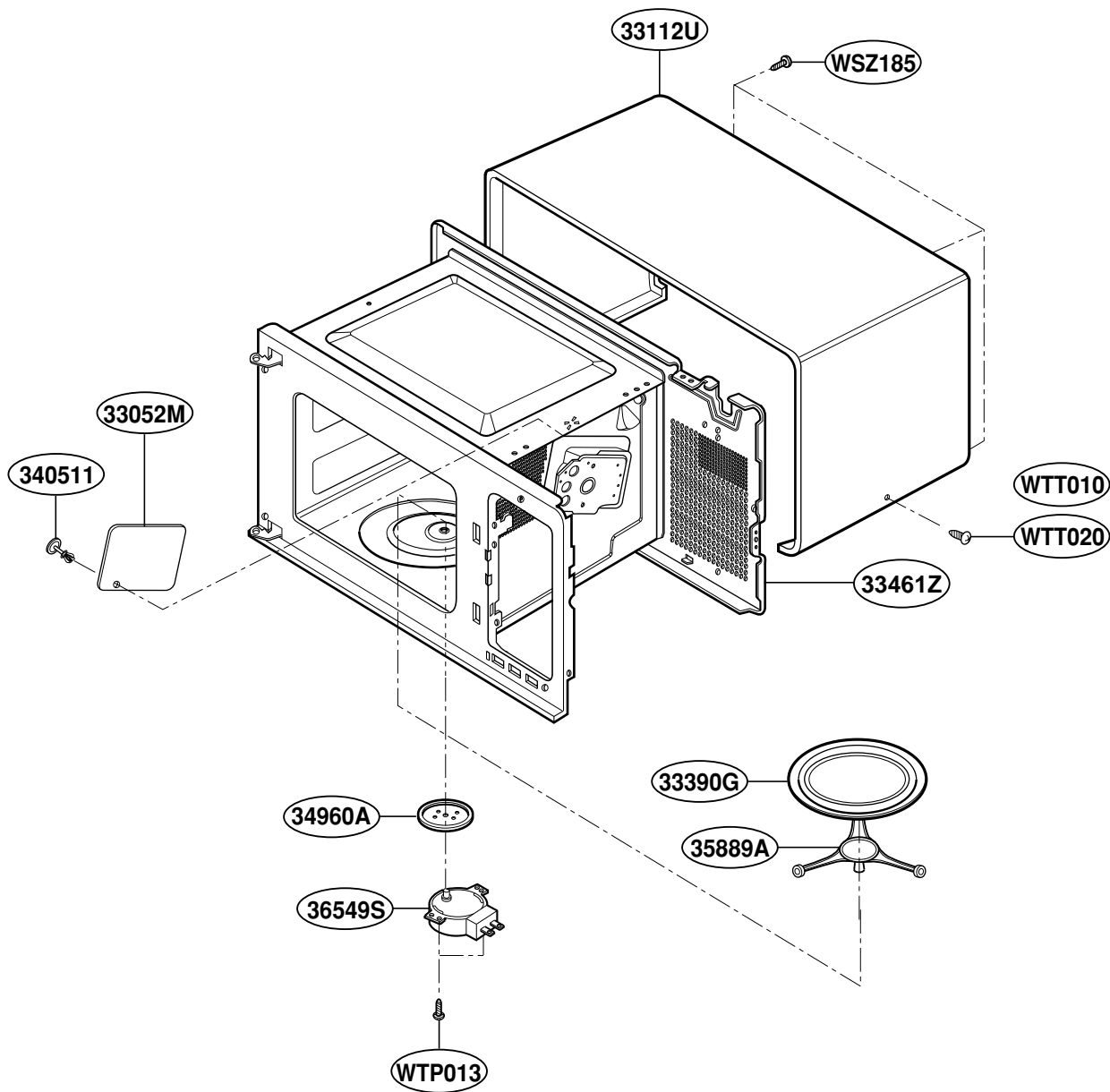


*** ALL SERVICE ON MICROWAVE OVENS SHOULD BE PERFORMED BY A QUALIFIED TECHNICIAN USING APPROVED TESTING EQUIPMENT. CUSTOMERS SHOULD NOT ATTEMPT TO REPLACE PARTS IDENTIFIED BY A TRIPLE ASTERISK(***)

July, 2001

KENMORE MICROWAVE OVEN
MODEL NO. 721.61283100

OVEN CAVITY PARTS

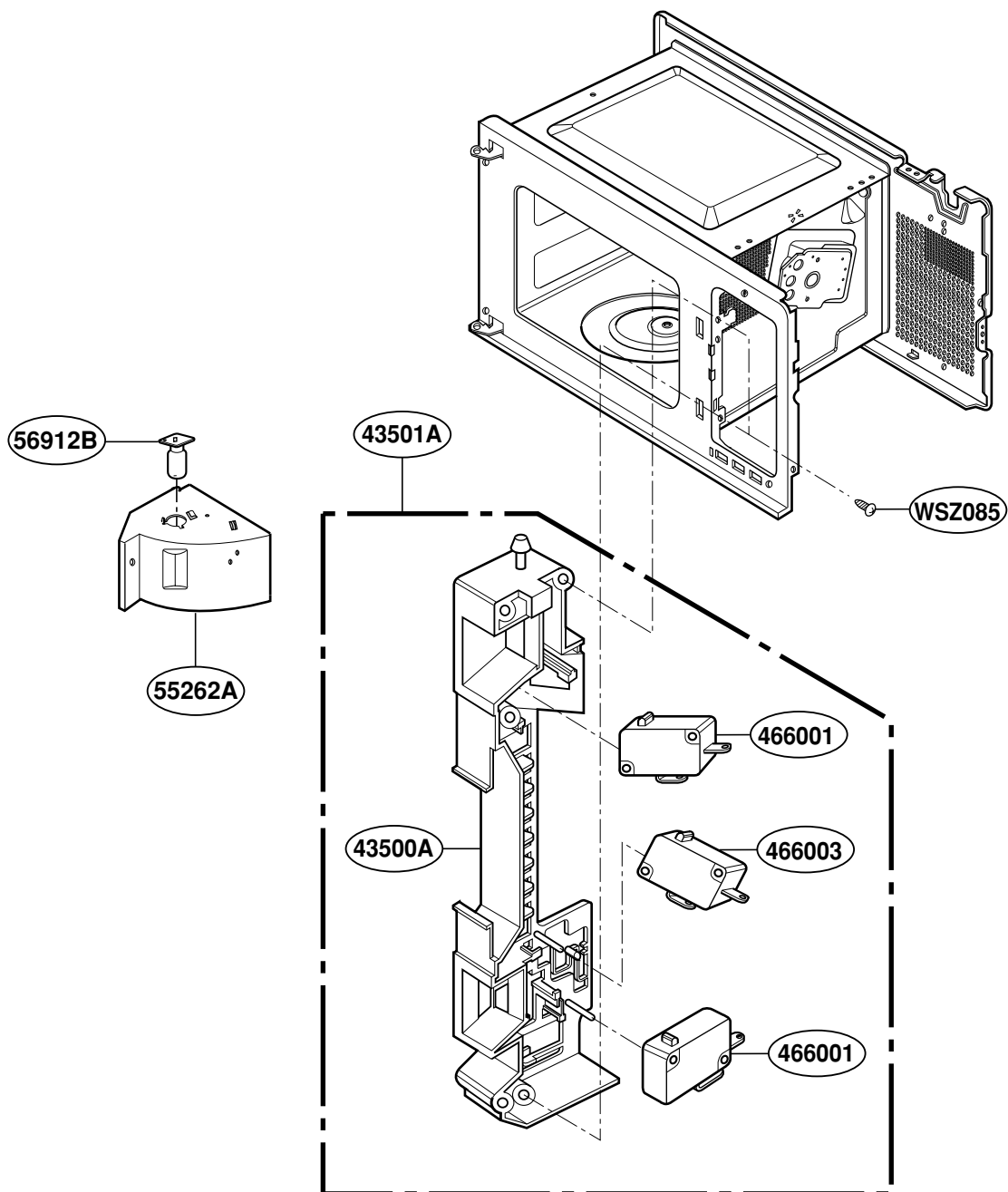


*** ALL SERVICE ON MICROWAVE OVENS SHOULD BE PERFORMED BY A QUALIFIED TECHNICIAN USING APPROVED TESTING EQUIPMENT. CUSTOMERS SHOULD NOT ATTEMPT TO REPLACE PARTS IDENTIFIED BY A TRIPLE ASTERISK(***)

July, 2001

**KENMORE MICROWAVE OVEN
MODEL NO. 721.61283100**

LATCH BOARD PARTS

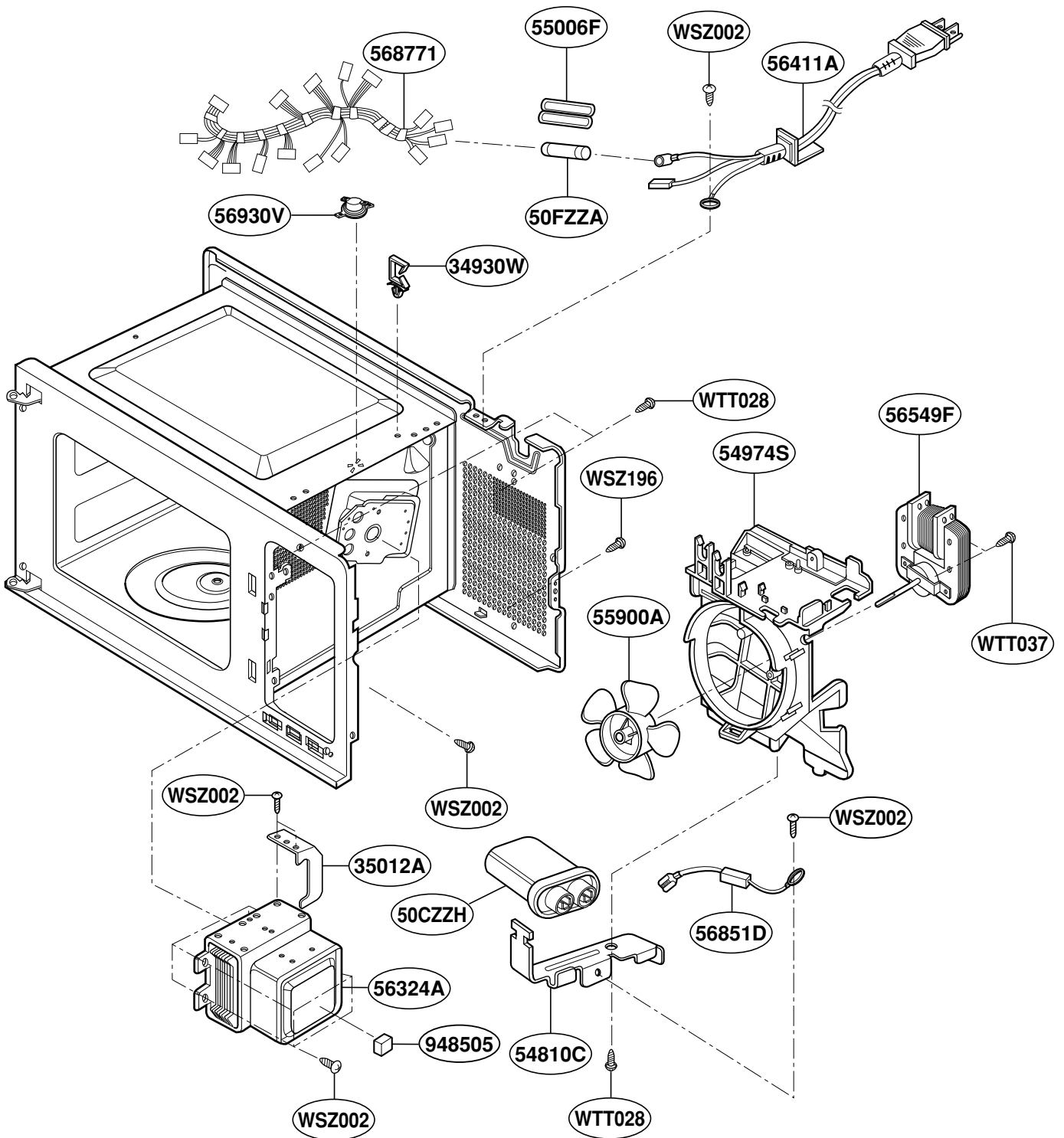


*** ALL SERVICE ON MICROWAVE OVENS SHOULD BE PERFORMED BY A QUALIFIED TECHNICIAN USING APPROVED TESTING EQUIPMENT. CUSTOMERS SHOULD NOT ATTEMPT TO REPLACE PARTS IDENTIFIED BY A TRIPLE ASTERISK(***)

July, 2001

**KENMORE MICROWAVE OVEN
MODEL NO. 721.61283100**

OVEN INTERIOR PARTS

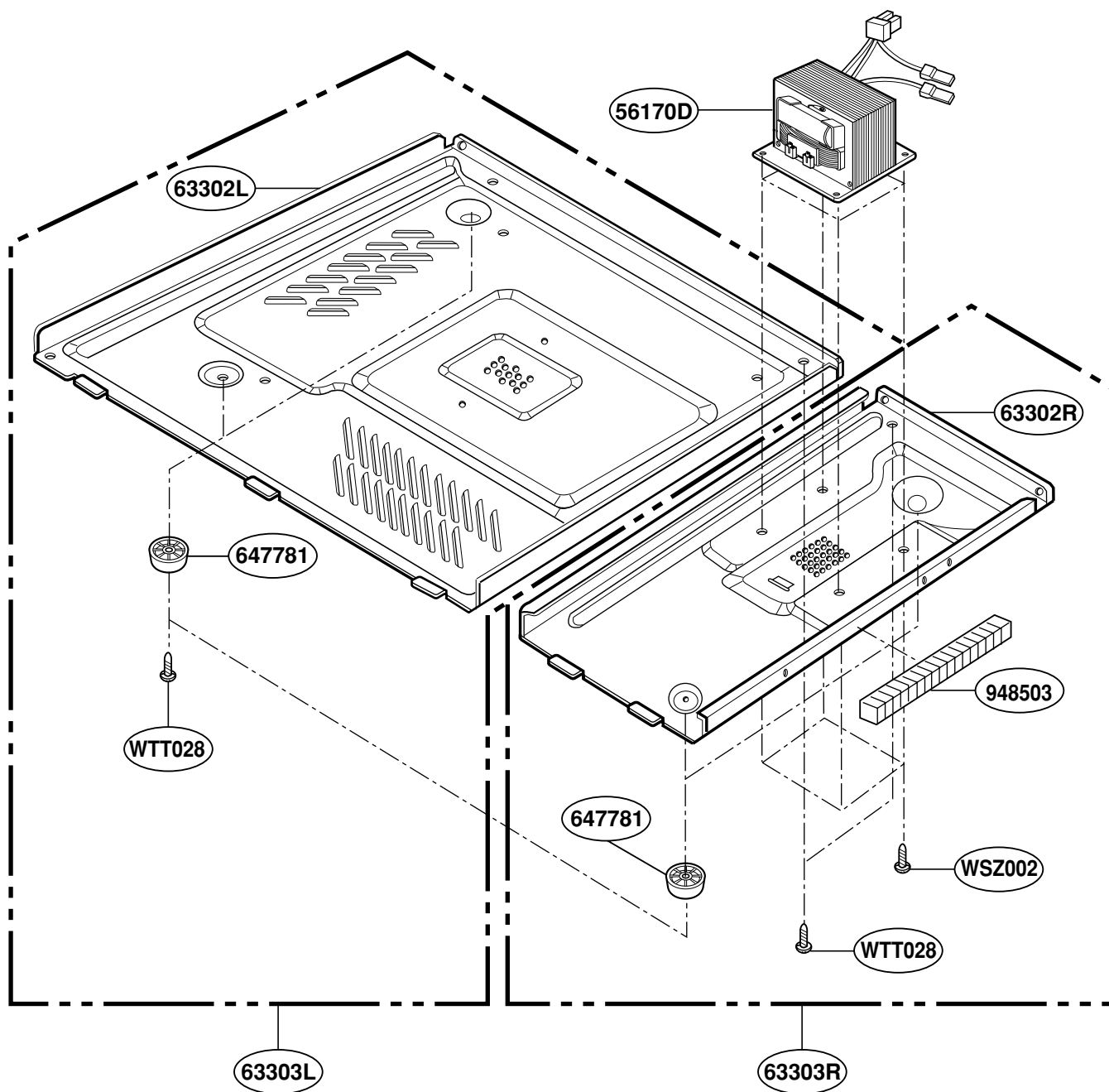


*** ALL SERVICE ON MICROWAVE OVENS SHOULD BE PERFORMED BY A QUALIFIED TECHNICIAN USING APPROVED TESTING EQUIPMENT. CUSTOMERS SHOULD NOT ATTEMPT TO REPLACE PARTS IDENTIFIED BY A TRIPLE ASTERISK(***)

July, 2001

KENMORE MICROWAVE OVEN
MODEL NO. 721.61283100

BASE PLATE PARTS



*** ALL SERVICE ON MICROWAVE OVENS SHOULD BE PERFORMED BY A QUALIFIED TECHNICIAN USING APPROVED TESTING EQUIPMENT. CUSTOMERS SHOULD NOT ATTEMPT TO REPLACE PARTS IDENTIFIED BY A TRIPLE ASTERISK(***)

July, 2001