

This Owner's Manual is provided and hosted by [Appliance Factory Parts](#).



Kenmore 721.81629600 Owner's Manual

[Shop genuine replacement parts for Kenmore
721.81629600](#)



[Find Your Kenmore Microwave Parts - Select From 532 Models](#)

----- Manual continues below -----



SEARS

MODEL 721.81622
721.81623
721.81629

DIVISION 22

BASIC FIELD MANUAL FOR MICROWAVE HOOD COMBINATION

**MODEL 721.81622600
721.81623600
721.81629600**

April, 2006

CAUTION

SAFETY PRECAUTIONS

PRECAUTIONS TO BE OBSERVED BEFORE AND DURING SERVICING TO AVOID POSSIBLE EXPOSURE TO EXCESSIVE MICROWAVE ENERGY

- a. Do not operate or allow the oven to be operated with the door open.**
- b. Make the following safety checks on all ovens to be serviced before activating the magnetron or other microwave source, and make repairs as necessary; (1) Interlock operation, (2) proper door closing, (3) seal and sealing surfaces (arcing, wear, and other damage), (4) damage to or loosening of hinges and latches, (5) evidence of dropping or abuse.**
- c. Before turning on microwave power for any service test or inspection within the microwave generating compartments, check the magnetron, wave guide or transmission line, and cavity for proper alignment, integrity, and connections.**
- d. Any defective or misadjusted components in the interlock, monitor, door seal, and microwave generation and transmission systems shall be repaired, replaced, or adjusted by procedures described in this manual before the oven is released to the owner.**
- e. A Microwave leakage check to verify compliance with the Federal performance standard should be performed on each oven prior to release to the owner.**
 - Proper operation of the microwave ovens requires that the magnetron be assembled to the wave guide and cavity. Never operate the magnetron unless it is properly installed.
 - Be sure that the magnetron gasket is properly installed around the dome of the tube whenever installing the magnetron.
 - Routine service safety procedures should be exercised at all times.
 - Untrained technicians should not attempt service without a thorough review of the test procedures and safety information contained in this manual.

FOREWORD

Read this Manual carefully. Failure to adhere to or observe the information in this Manual may result in exposing yourself to the Microwave Energy normally contained within the oven cavity.

MODEL 721.81622
721.81623
721.81629

TABLE OF CONTENTS

	(Page)
SAFETY PRECAUTIONS	Inside front page
SPECIFICATIONS	1-1
CAUTIONS	2-1
INSTALLATIONS	3-1
OPERATING INSTRUCTIONS	4-1
CONTROL PANEL	4-1
CONTROL PANEL INSTRUCTIONS	4-2
OVERALL CIRCUIT DIAGRAM	5-1
SCHEMATIC DIAGRAM	5-1
MATRIX CIRCUIT FOR TOUCH KEY BOARD	5-2
GENERAL INFORMATION FOR SERVICE	6-1
GENERAL PRECAUTIONS IN USE	6-1
TRIAL OPERATION	6-1
FEATURES AND SPECIFICATIONS FEATURES	6-1
SERVICE INFORMATION	7-1
PRECAUTIONS AND REPAIR SERVICE TIPS	7-1
MICROWAVE LEAKAGE TEST	7-2
POWER OUTPUT MEASUREMENT	7-3
DISASSEMBLY INSTRUCTIONS	7-4
INTERLOCK SYSTEM	7-12
INTERLOCK CONTINUITY TEST	7-14
TEST AND CHECKOUT PROCEDURES AND TROUBLE SHOOTING	7-15
A. TEST PROCEDURES	7-15
B. CHECKOUT PROCEDURES	7-18
C. TROUBLE SHOOTING	7-21
EXPLODED VIEW	8-1
PART REFERENCE LIST	9-1

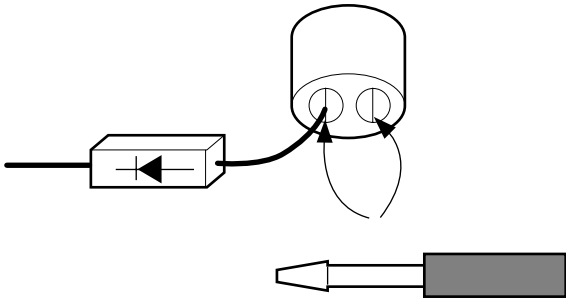
SPECIFICATIONS

Rated Power Consumption	1650W maximum (Microwave oven+Cook top lamps+Ventilation fan)
Microwave Output	1000W (IEC60705)
	Adjustable 100W through 1000W, 10 steps
Frequency	2450 MHz \pm 50 MHz
Power Supply	120 VAC, 60 Hz
Rated Current	14Amp. (Microwave oven+Cook top lamp+Ventilation fan)
Magnetron Cooling	Forced Air Cooling
Rectification	Rectification Voltage Double Half-Wave
Door Sealing	Choke System
Safety Devices	Oven TCO
	Open at 90°C \pm 5°C
	Grill Heater TCO
	Open at 145°C \pm 5°C
	Fuse(20A)
	Primary Interlock Switch
	Secondary Interlock Switch
	Interlock Monitor Switch
Magnetron	2M289-M47J1
High Voltage Capacitor	Capacitor: 1.0 μ F, 2.1 KV AC
High Voltage Diode	Diode; 350mA, 9.0 KV
Cook top Lamp	125 V, 30 W
Cavity Lamp	125 V, 30 W or 40 W
Timer	Digital, up to 99 min. 99 sec. (in each cooking stage)
Tray	Tempered Safety Glass
Overall Dimensions	29 ¹⁵ / ₁₆ "(W)x16 ⁷ / ₁₆ "(H)x15 ³ / ₈ "(D)
Oven Cavity Size	20 ¹⁹ / ₂₀ "(W)x9 ¹ / ₁₅ "(H)x14 ¹ / ₁₀ "(D)
Effective Capacity of Oven Cavity	1.6 Cu.ft.
Accessories	Owner's Manual & Cooking Guide, Installation Manual, Exhaust Adapter, Exhaust Damper, Mounting Kit and Two Filters, Rotating Ring Assembly, Shelf, Tray.

CAUTIONS

Unlike other appliances, the microwave oven is high-voltage and high-current equipment. Though it is free from danger in ordinary use, extreme care should be taken during repair.

- DO NOT operate on a 2-wire extension cord during repair and use.
- NEVER TOUCH any oven components or wiring during operation.
- BEFORE TOUCHING any parts of the oven, always remove the power plug from the outlet.
- For about 30 seconds after the oven stops, an electric charge remains in the high voltage capacitor. When replacing or checking, you must discharge the high voltage capacitor by shorting across the two terminals with an insulated screwdriver.

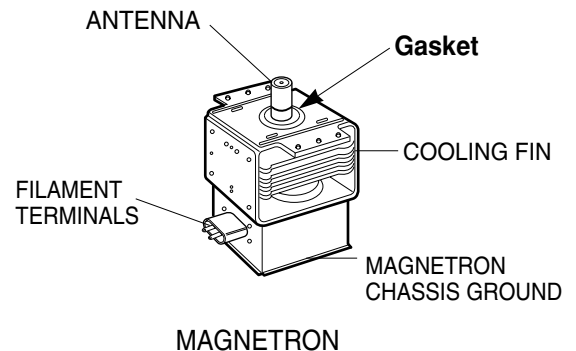


- Remove your watches whenever working close to or replacing the Magnetron.
- DO NOT touch any parts of the control panel circuit. A resulting static electric discharge may damage this P.C.B.
- NEVER operate the oven with no load.
- NEVER damage the door seal and front plate of the oven cavity.
- NEVER put iron tools on the magnetron.
- NEVER put anything into the latch hole and the interlock switches area.

MICROWAVE RADIATION

Technicians should not be exposed to the microwave energy which may radiate from the magnetron or other microwave generating device if it is improperly used or connection. All input and output microwave connections, waveguide, flange, and gasket must be secure. Never operate the device without a microwave energy absorbing load attached. Never look into an open waveguide or antenna while the device is energized.

- Proper operation of the microwave oven requires that the magnetron be assembled to the waveguide and cavity. Never operate the magnetron unless it is properly installed.
- **Be sure that the magnetron gasket is properly installed around the dome of the tube whenever installing the magnetron.**



THE OVEN IS TO BE SERVICED ONLY BY PROPERLY QUALIFIED SERVICE TECHNICIANS.

INSTALLATIONS

BEFORE YOU BEGIN, READ THE FOLLOWING INSTRUCTIONS COMPLETELY AND CAREFULLY.

PRECAUTIONS ON INSTALLATION

- A. Plug the power supply cord into a 120V AC, 60Hz, single-phase power source with a capacity of 15A or 20A.
- B. Avoid placing the unit in a location where there is direct heat or splashing water.
- C. Install the unit on the mounting plate firmly.
- D. Place the unit as far away as possible from TV, radio, telephone, etc. to prevent interference.

GROUNDING INSTRUCTIONS

For personal safety, this appliance must be fully grounded at all times.

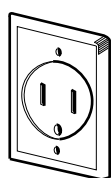
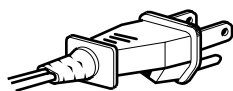
In the event of an electrical short circuit, grounding reduces the risk of electrical shock.

The plug must be plugged into an outlet that is properly installed and grounded.

CAUTION

This unit is equipped with a 3-prong plug for your safety. If the wall outlet is a grounded 3-hole type, the unit will be grounded automatically.

Plug with Ground Prong



Properly Polarized and Grounded Outlet

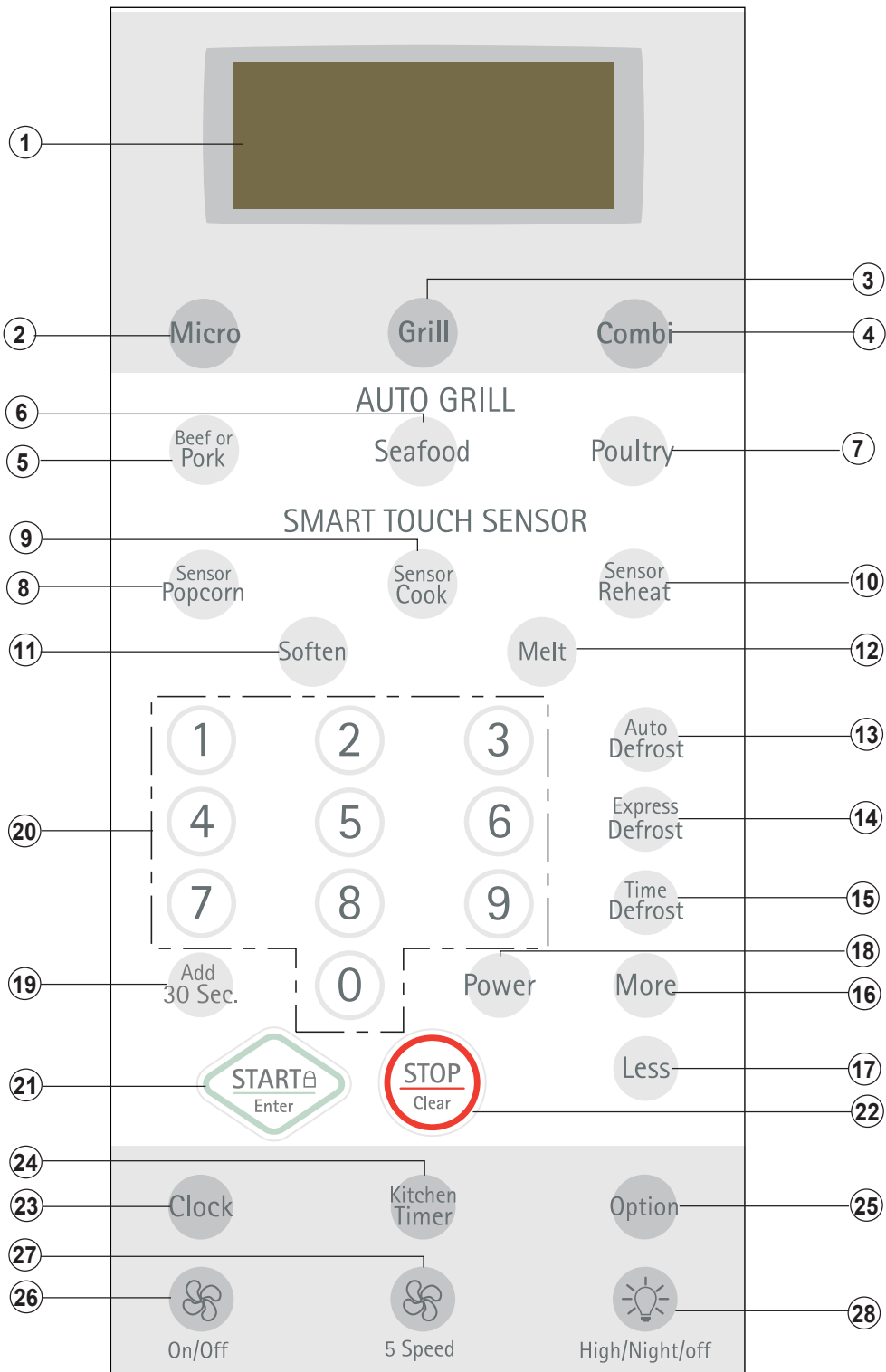
WARNING

Improper use of the grounding plug can result in a risk of electric shock.




Do not, under any circumstances, cut or remove the third ground prong from the power cord plug.

OPERATING INSTRUCTIONS

CONTROL PANEL

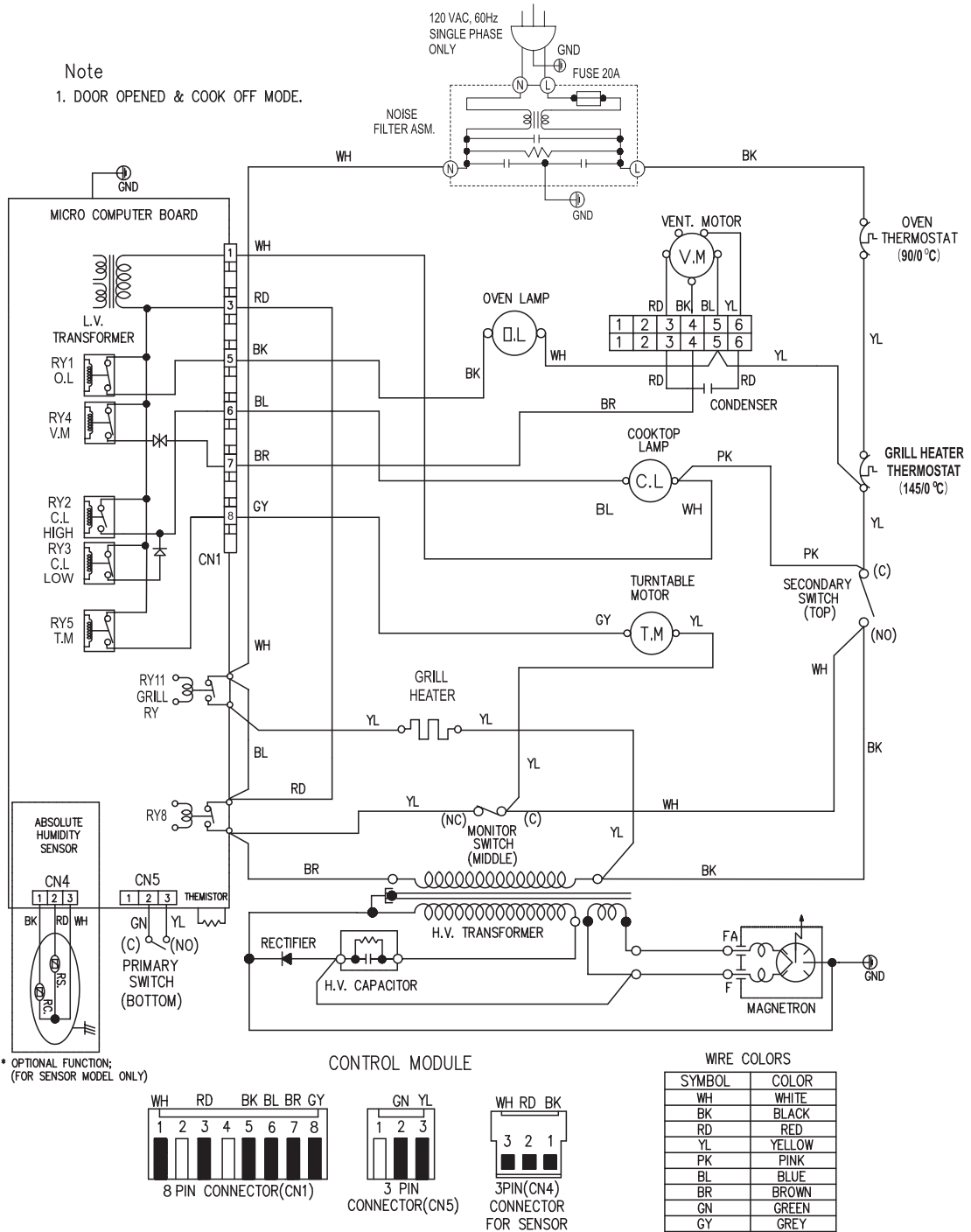


CONTROL PANEL INSTRUCTIONS

- 1. Display.** The display includes a clock and indicators to tell you time of day, cooking time settings, cook powers, quantities, weights and cooking functions selected.
- 2. MICRO.** The feature will allow you to cook food with microwave function
- 3. GRILL.** This feature will allow you to brown and crisp food quickly.
- 4. COMBI.** This feature will allow you to cook food with the microwave and the grill function at the same time.
- 5. Beef or Pork.** Touch this pad to allow you cook hamburger patties, beef steaks and pork chops easily with grill function.
- 6. Seafood.** Touch this pad to allow you cook shrimp, fish fillet, lobster tails easily with grill function.
- 7. Poultry.** Touch this pad to allow you cook chicken pieces, chicken breasts and chicken nuggets easily with grill function.
- 8. Sensor popcorn.** Touch this pad to pop popcorn with the sensor feature. The oven's sensor will tell the oven how long to cook depending on the amount of humidity it detects from the popcorn.
- 9. Sensor Cook.** Touch this pad to cook baked potato, frozen vegetable, fresh vegetable, canned vegetable, frozen entree and rice. The oven's sensor will tell the oven how long to cook depending on the amount of humidity coming from the food.
- 10. Sensor Reheat.** Touch this pad to reheat casserole, dinner plate, pizza slice and soup/sauce. The oven's sensor will tell the oven how long to cook depending on the amount of humidity coming from the food.
- 11. Soften.** Touch this pad to soften Butter, Ice Cream, Cream Cheese or Frozen Juice.
- 12. Melt.** Touch this pad to melt Butter or Margarine, Chocolate, Cheese or Marshmallow.
- 13. Auto Defrost.** Touch this pad followed by Number Pads to thaw frozen meat by weight
- 14. Express Defrost.** Touch this pad to express defrost. "GROUND BEEF 1.0 LBS TOUCH START" will appear in the display.
- 15. Time Defrost.** Touch this pad followed by Number Pads to thaw frozen meat by weight.
- 16. More.** Touch this pad to add 10 seconds of cook time each time you press it.
- 17. Less.** Touch this pad to subtract 10 seconds of cook time each time you press it.
- 18. Power.** Touch this pad after the cook time has been set, to set the amount of microwave energy released to cook the food. The higher the number, the higher the microwave power or "cooking speed."
- 19. ADD 30 SEC.** Touch this pad to set and start quickly at 100% power level.
- 20. Number Pads.** Touch number pads to enter cooking time, power level, quantities or weights.
- 21. Start/Enter.** Touch this pad to start a function or enter all entries. If you open the door after the oven begins to cook, touch Start/Enter again
- 22. Stop/Clear.** Touch this pad to erase an incorrect command, cancel a program during cooking, or to clear the Display.
- 23. Clock.** Touch this pad to enter the correct time of day.
- 24. Kitchen Timer.** Touch this pad to set the kitchen timer.
- 25. Option.** Touch this pad to change the oven default setting for sound, clock, display speed and defrost weights.
- 26. Fan () On/Off.** Touch this pad to turn the fan on or off.
- 27. Fan () 5 Speed.** Touch this pad to choose one of 5 fan speeds.
- 28. High/Night/Off ().** Touch this pad to turn the light on high, night or off.

OVERALL CIRCUIT DIAGRAM

SCHEMATIC DIAGRAM

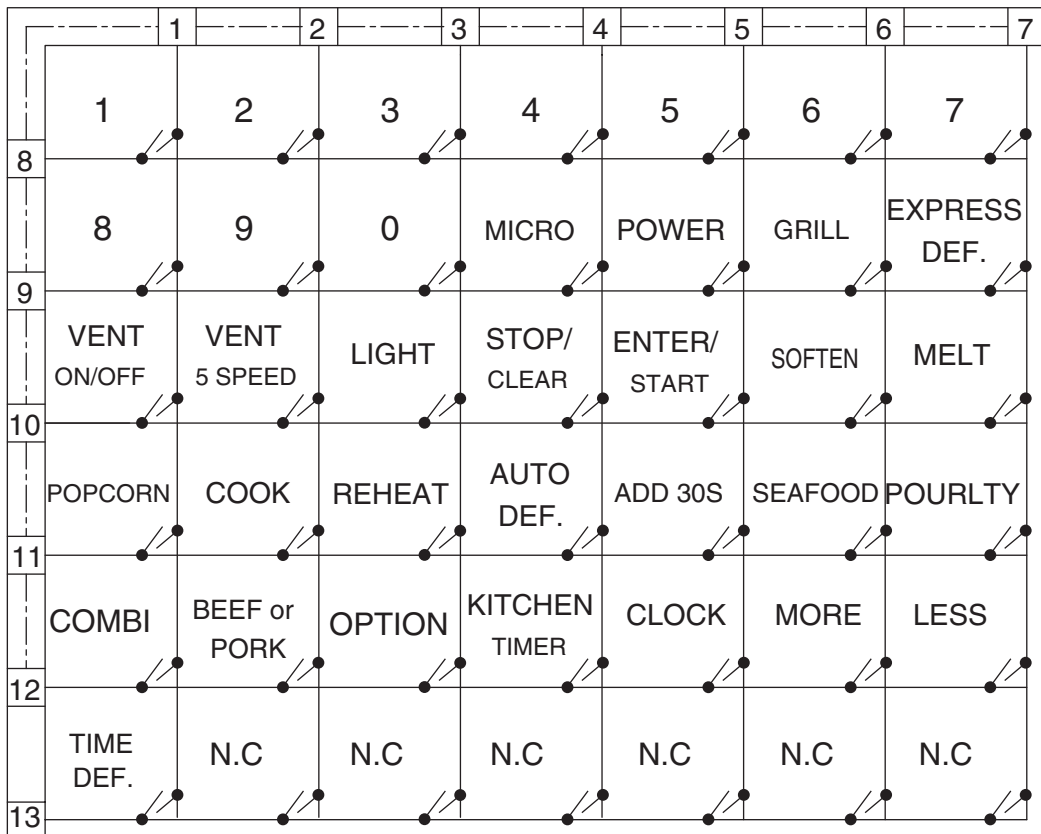


Failure Codes/Indications

Display	Likely Failure Condition	Recommended Repair Procedure
F-4 (For sensor model)	Humidity Sensor Failure	Connect a new sensor to the board. If no failure code appears when starting sensor function, replace control system assembly.

MATRIX CIRCUIT FOR TOUCH KEY BOARD

KEY MATRIX



GENERAL INFORMATION FOR SERVICE

GENERAL PRECAUTIONS IN USE

A. Never operate the unit when it is empty.

Operating the oven with no load may shorten the life of the magnetron. Whenever cooking dry foods (dried fish, bread, etc.) or a small amount of food, be sure to put a glass of water into the cooking cavity. The glass turntable may become hot after operating, be careful when touching it.

- B. Aluminum foil should be avoided because it will disrupt cooking and may cause arcing. However, small pieces may be used to cover some parts of food to slow the cooking. Any aluminum foil used should never be closer than 1 inch (2.5 cm) to any side wall of the oven.

TRIAL OPERATION

After installation, the following sequences and results should be checked carefully.

- A. Put a container filled with water (about 1 liter) into the oven, and close the door tightly.
- B. Set cooking time for 10 minutes by touching "1" and then "0" three times. "1, 0, 0, 0" appears in the display window.
- C. Touch the START key.
Make sure the cavity light comes on. The unit will begin cooking and the display window will show the time counting down by seconds.
- D. After about 5 minutes, make sure the primary interlock switch, the secondary interlock switch and the interlock monitor switch operate properly by opening and closing the door several times. Touch the START key each time the door is closed.
- E. Continue operating the unit. Two short and a long beep sound signal is heard when the time is up.
The unit will shut off automatically.
- F. Confirm the water is hot.
- G. Finally, measure the output power according to "POWER OUTPUT MEASUREMENT" on page 7-3.

FEATURES AND SPECIFICATIONS FEATURES

- A. The safety systems incorporated in this model are:
- (1) Primary interlock switch
 - (2) Secondary interlock switch
 - (3) Interlock monitor switch
 - (4) Choke system
 - (5) Magnetron thermostat
 - (6) Oven cavity thermostat
- (Note:** This thermostat located on the oven cavity will open and stop the unit from operation only if a high temperature is reached, such as, a fire created by overcooking food.)
- B. Any one of 10 power output levels ranging 100W to 1000W can be selected by the touch control and electronic computer system.

SERVICE INFORMATION

PRECAUTIONS AND REPAIR SERVICE TIPS

PRELIMINARY

A. SINCE APPROXIMATELY 2100 VOLTS EXISTS IN SOME CIRCUITS OF THIS UNIT REPAIRS SHOULD BE CARRIED OUT WITH GREAT CARE.

The filament leads of magnetron carry High Voltage with respect to ground. Extreme caution must be exercised. Never plug the unit into a power source to determine which component is defective in high voltage section.

B. TO AVOID POSSIBLE EXPOSURE TO MICROWAVE ENERGY LEAKAGE, THE FOLLOWING PRECAUTIONS MUST BE TAKEN BEFORE SERVICING.

- (1) Before the power is applied:
 - (a) Make sure the primary interlock switch, the secondary interlock switch and the interlock monitor switch operate properly by opening and closing the door several by opening and closing the door several times.
 - (b) Make sure the perforated screen and the dielectric choke of the door are correctly and firmly mounted.
- (2) After power is applied:
 - (a) Make sure the interlock switch mechanism is operating properly by opening and closing the door.
 - (b) Check microwave energy leakage. It must be below the limit of 5 mW/cm². (All service adjustments should be made for minimum microwave energy leakage readings).
- (3) Do not operate the unit until it is completely repaired, if any of the following conditions exist. The unit must not be operated.
 - (a) The door does not close firmly.
 - (b) The hinge is broken.
 - (c) The door seal is damaged.
 - (d) The door is bent or warped, or there is any other visible damage on the unit that may cause microwave energy leakage.

NOTE: Always keep the seal clean.

 - (e) Make sure that there are no defective parts in the interlock mechanism.
 - (f) Make sure there are no defective parts in the microwave generating and transmission assembly (specifically the waveguide).
- (4) The following items should be checked after the unit is repaired:
 - (a) The interlock monitor switch is connected correctly and firmly.
 - (b) The magnetron gasket is properly positioned and mounted.
 - (c) The waveguide and the oven cavity are intact. (no microwave energy leakage)
 - (d) The door can be properly closed and the safety switches work properly.
 - (e) The unit must stop when the door is opened or the time is up.

The unit must not be operated with any of the above components removed or by-passed.

MICROWAVE LEAKAGE TEST

CAUTIONS

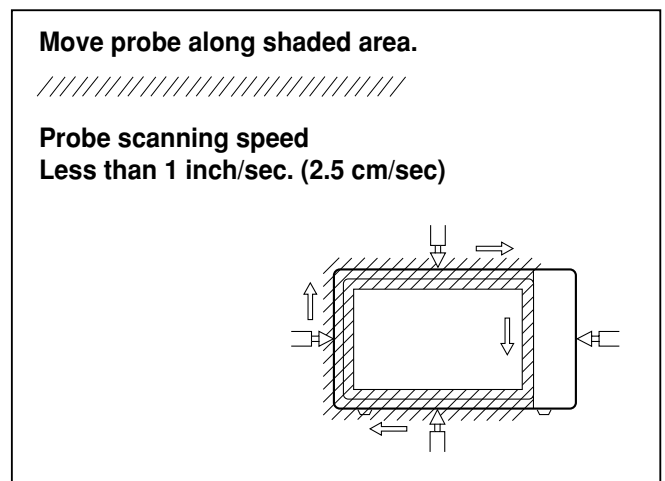
- Be sure to check microwave leakage prior to servicing the oven if the oven is operative prior to servicing.
- The service technician should inform the manufacture importer, or assembler of any certified oven unit found to have a microwave emission level in excess of 5 mW/cm² and should repair any unit found to have excessive emission levels at no cost to the owner and should ascertain the cause of the excessive leakage. The service technician should instruct the owner not to use the unit until the oven has been brought into compliance.
- If the oven operates with the door open, the service technician should:
 - Tell the user not to operate the oven.
- The service technician should check all surface and vent openings for microwave leakage.
- Check for microwave leakage after every servicing. The power density of the microwave radiation leakage emitted by the microwave oven should not exceed 4 mW/cm². Always start measuring of an unknown field to assure safety for operating technician from radiation leakage.

EQUIPMENT

- TESTER (VOLTS-DC, AC, Ohmmeter)
- Microwave survey meter
 - Holaday HI-1500
 - HI-1501
 - Narda 8100
 - 8200
- 600 cc non conductive material beaker (glass or plastic), inside diameter: approx. 3 1/2 inch (8.5 cm)
- Glass thermometer: 100°C or 212°F (1 deg scale)

MEASURING MICROWAVE ENERGY LEAKAGE

- Pour 275±15cc of 20±5°C(68±9°F) water in a beaker which is graduated to 600 cc, and place the beaker on the center of the turntable.
- Set the energy leakage monitor to 2,450 MHz and use it following the manufacturer's recommended test procedure to assure correct result.
- When measuring the leakage, always use the 2 inch (5cm) spacer supplied with the probe.
- Operate the oven at its maximum output.
- Measure the microwave radiation using and electromagnetic radiation monitor by holding the probe perpendicular to the surface being measured.



MEASUREMENT WITH THE OUTER CASE REMOVED

- (1) When you replace the magnetron, measure for microwave energy leakage before the outer case is installed and after all necessary components are replaced or adjusted. Special care should be taken in measuring the following parts.
 - Around the magnetron
 - The waveguide

WARNING: AVOID CONTACTING ANY HIGH VOLTAGE PARTS.

MEASUREMENT WITH A FULLY ASSEMBLED OVEN

- (1) After all components, including the outer panels, are fully assembled, measure for microwave energy leakage around the door viewing window, the exhaust opening and air inlet openings.
- (2) Microwave energy leakage must not exceed the values described below.

NOTES:

Leakage with the outer panels removed - less than 5 mW/cm².

Leakage for a fully assembled oven ("Before the latch switch (primary) is interrupted") with the door in a slightly opened position - less than 2 mW/cm².

NOTE WHEN MEASURING

- (1) Do not exceed meter full scale deflection.
- (2) The test probe must be removed no faster than 1 inch/sec (2.5cm/sec) along the shaded area, otherwise a false reading may result.
- (3) The test probe must be held with the grip portion of the handle. A false reading may result if the operator's hand is between the handle and the probe.
- (4) When testing near a corner of the door, keep the probe perpendicular to the surface making sure the probe is moved horizontally along the oven surface.

RECORD KEEPING AND NOTIFICATION AFTER MEASUREMENT

- (1) After adjustment and repair of any microwave energy interruption or microwave energy blocking device, record the measured values for future reference. Also enter the information on the service invoice.
- (2) The microwave energy leakage should not be more than 2 mW/cm² after determining that all parts are in good condition, functioning properly and genuine replacement parts which are listed in this manual have been used.
- (3) At least once a year, have the electromagnetic energy leakage monitor checked for calibration by its manufacturer.

POWER OUTPUT MEASUREMENT

- (1) Microwave power output measurement is made with the microwave oven supplied at its rated voltage and operated at its maximum microwave power setting with a load of (1000±5) g of potable water.
- (2) The water is contained in a cylindrical borosilicate glass vessel having a maximum material thickness of 1/8 inch (3 mm) and an outside diameter of approximately 7.6 inch (190mm).
- (3) The oven and the empty vessel are at ambient Temperature(T₀) prior to the start of the test.
- (4) The initial temperature (T₁) of the water is (10±1)°C (50°F). It is measured immediately before the water is added to the vessel. After addition of the water to the vessel, the load is immediately placed on the center of the turntable which is in the lowest position and the microwave power switched on.
- (5) The time T for the temperature of the water to rise by a value ΔT of (10±1)°K is measured, where T is the time in seconds and ΔT is the temperature rise. The initial and final water temperatures are selected so that the maximum difference between the final water temperature and the ambient temperature is 5°K.
- (6) The microwave power output P in watts is calculated from the following formula :

$$P = \frac{4187 Mw(T_2 - T_1) + 0.55Mc(T_2 - T_0)}{T}$$

is measured while the microwave generator is operating at full power. Magnetron filament heat-up time is not included. (about 3 sec)

- (7) The water is stirred to equalize temperature throughout the vessel, prior to measuring the final water temperature.
- (8) Stirring devices and measuring instruments are selected in order to minimize addition or removal of heat.

Where

P is the microwave power output, in watts:

Mw is the mass of the water, in grams:

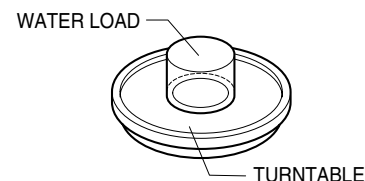
Mc is the mass of the container, in grams:

T₀ is the ambient temperature, in °C:

T₁ is the initial temperature of the water, in °C:

T₂ is the final temperature of the water, in °C:

t is the heating time in seconds, excluding the magnetron filament heat-up time.



DISASSEMBLY INSTRUCTIONS

IMPORTANT NOTES:

UNIT MUST BE DISCONNECTED FROM THE ELECTRICAL OUTLET WHEN MAKING REPAIRS, RE-PLACEMENTS, ADJUSTMENTS AND CONTINUITY CHECKS. WAIT AT LEAST ONE MINUTE, UNTIL THE HIGH VOLTAGE CAPACITOR IN THE HIGH VOLTAGE POWER SUPPLY HAS FULLY DISCHARGED.

THE CAPACITOR SHOULD BE DISCHARGED BY USING INSULATED WIRE - I.E. TEST PROBE CONNECTED TO 10K-OHM RESISTOR IN SERIES TO GROUND.

WHEN RECONNECTING THE WIRE LEADS TO ANY PART, MAKE SURE THE WIRING CONNECTIONS AND LEAD COLORS ARE CORRECTLY MATCHED ACCORDING TO THE OVERALL CIRCUIT DIAGRAM. (SPECIFICALLY SWITCHES AND HIGH VOLTAGE CIRCUIT.)

A. REMOVING POWER AND CONTROL CIRCUIT BOARD (Figures 1, 2 and 3)

- (1) Remove the screw securing the control panel assembly to the oven cavity.
- (2) Remove the control panel by pushing it upward.
- (3) Remove the connectors (CN1, CN5), wire leads (RY8, RY11) and sensor wire connector (CN4) from the circuit board.

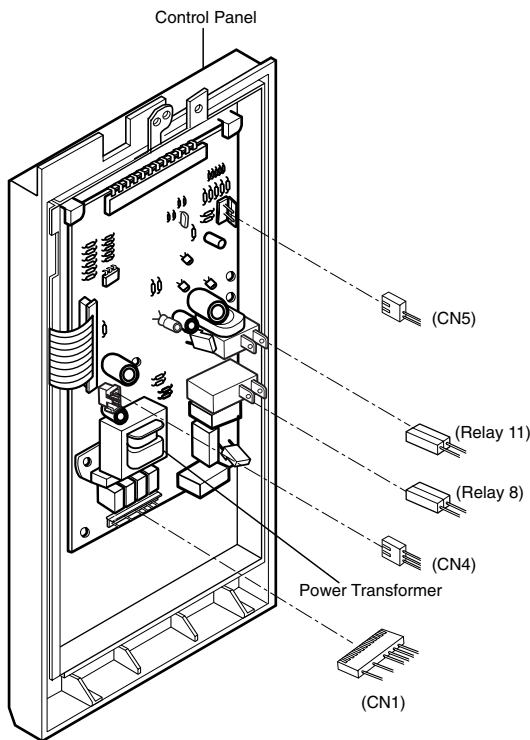


Figure 1

- (4) Remove the three screws securing the circuit board.

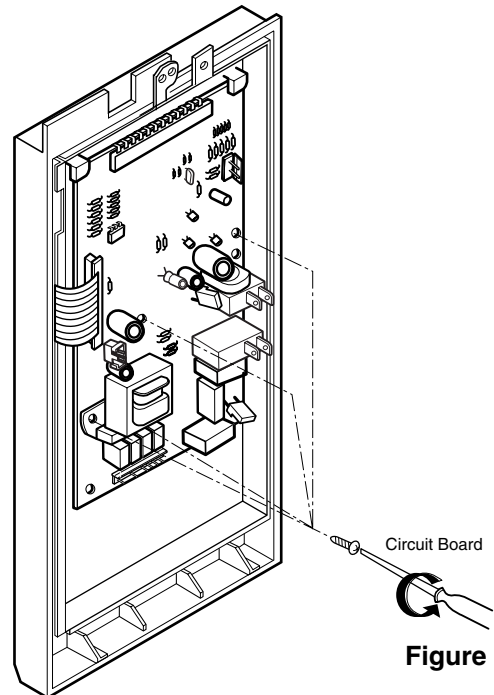


Figure 2

- (5) Remove the FPC connector from the terminal socket following "HOW TO REMOVE THE FPC CONNECTOR" on the next page.
- (6) Remove the circuit board from the control bracket carefully.

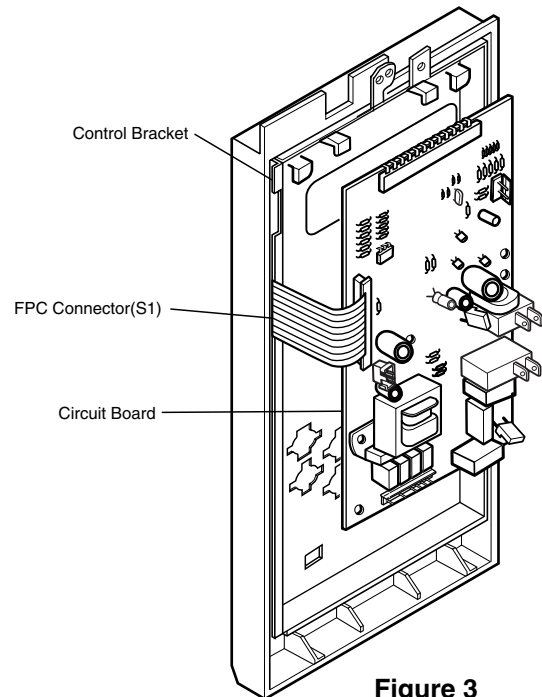


Figure 3

HOW TO REMOVE THE F.P.C. CONNECTOR

Follow the steps below as illustrated in Figures 4 and 5 to remove the F.P.C. connector.

- (1) Hold the edges of the plastic fastener with thumb and forefinger.
(Figure 4)
- (2) Lift up the lever of the plastic fastener from the terminal socket by lightly pressing the lever end with forefinger.
(Figure 5)
- (3) Remove the F.P.C. connector from the terminal socket.

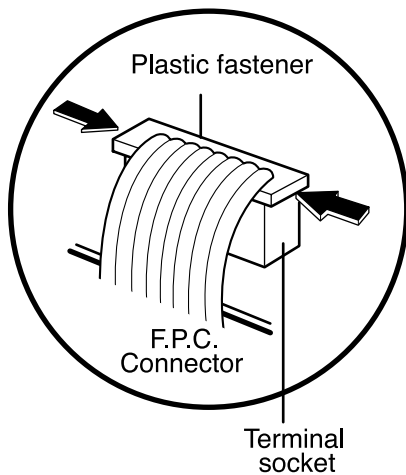


Figure 4

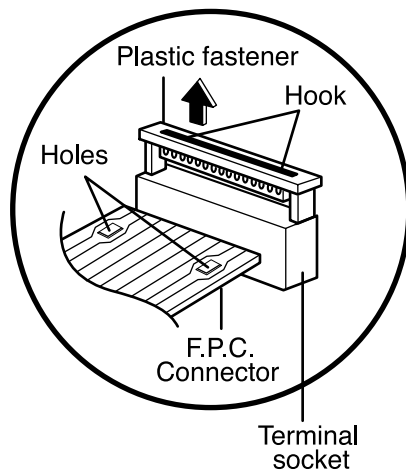


Figure 5

HOW TO INSERT THE F.P.C. CONNECTOR

Follow the steps below as illustrated in Figures 6 and 7 to insert the F.P.C. connector.

- (1) Insert the F.P.C. connector into the terminal socket securely.
- (2) Hold the plastic fastener with thumb and forefinger of the other hand, and push it slowly into the terminal socket. (Figure 6)
NOTE: When reconnecting the F.P.C. connector make sure that the holes on the F.P.C. connector are properly engaged with the hooks on the plastic fastener
- (3) Lock the plastic fastener into the hook of the terminal socket securely.
(Figure 7)

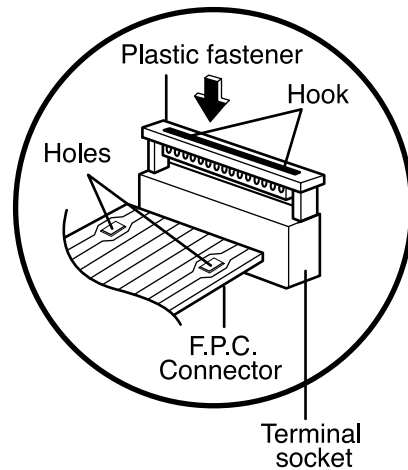


Figure 6

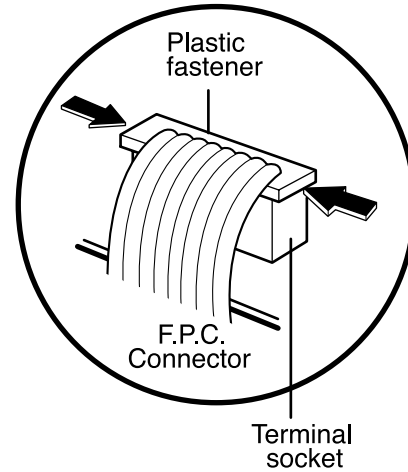


Figure 7

B. REMOVING THE OUTER CASE

(Figure 8)

- (1) Remove the vent grille by removing the two screws securing it to the outer case.
- (2) Remove the two screws securing it to the front bracket.
- (3) Remove the two screws securing it to the air duct.
- (4) Remove the mounting plate by turning the two screws securing it to the outer case.
- (5) Remove the base plate by removing the four screws securing it to the outer case. Remove the Mount, All from the outer case by removing the two screws securing it to the outer case.
- (6) Remove the four screws from the rear section.
- (7) Remove the outer case by pushing it back.

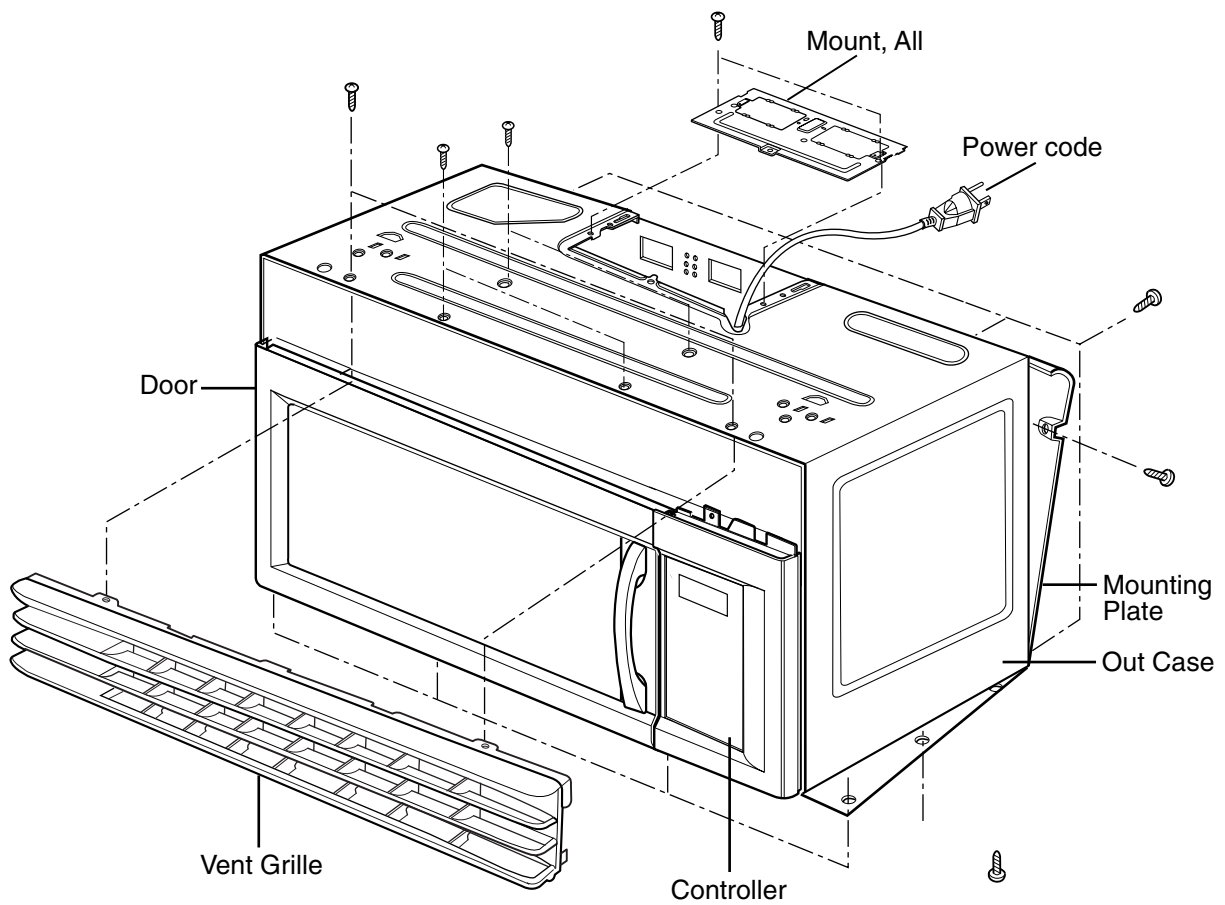


Figure 8

C. REMOVING THE DOOR INTERLOCK SWITCHES (Figures 9,10)

- (1) Disconnect the wire leads from the interlock switches.
- (2) Remove the two screws securing the Latch Board.
- (3) Make necessary replacements and check microwave energy leakage according to "ADJUSTMENT PROCEDURE" on page 7-12.

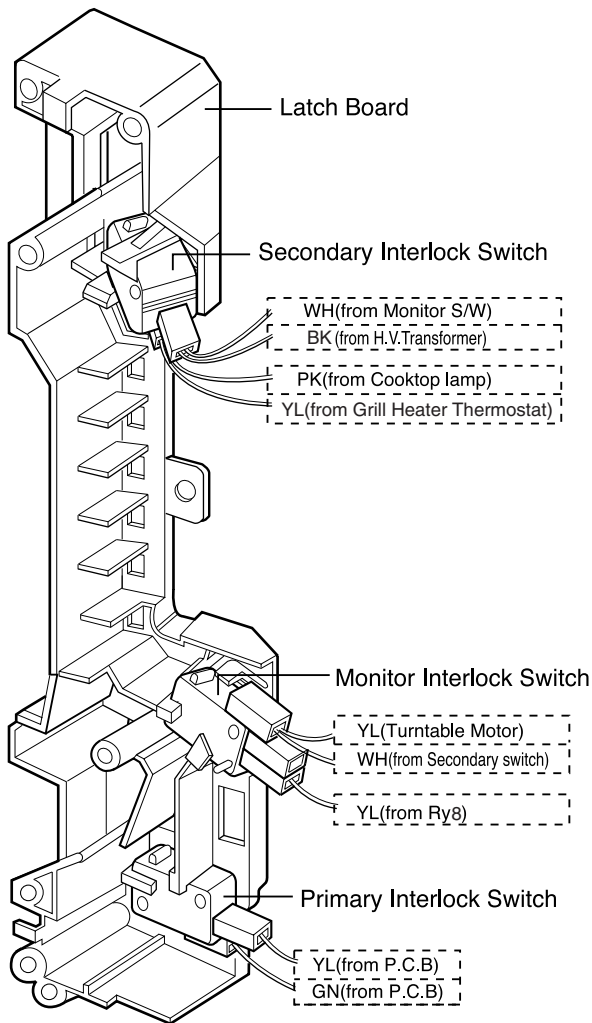


Figure 9

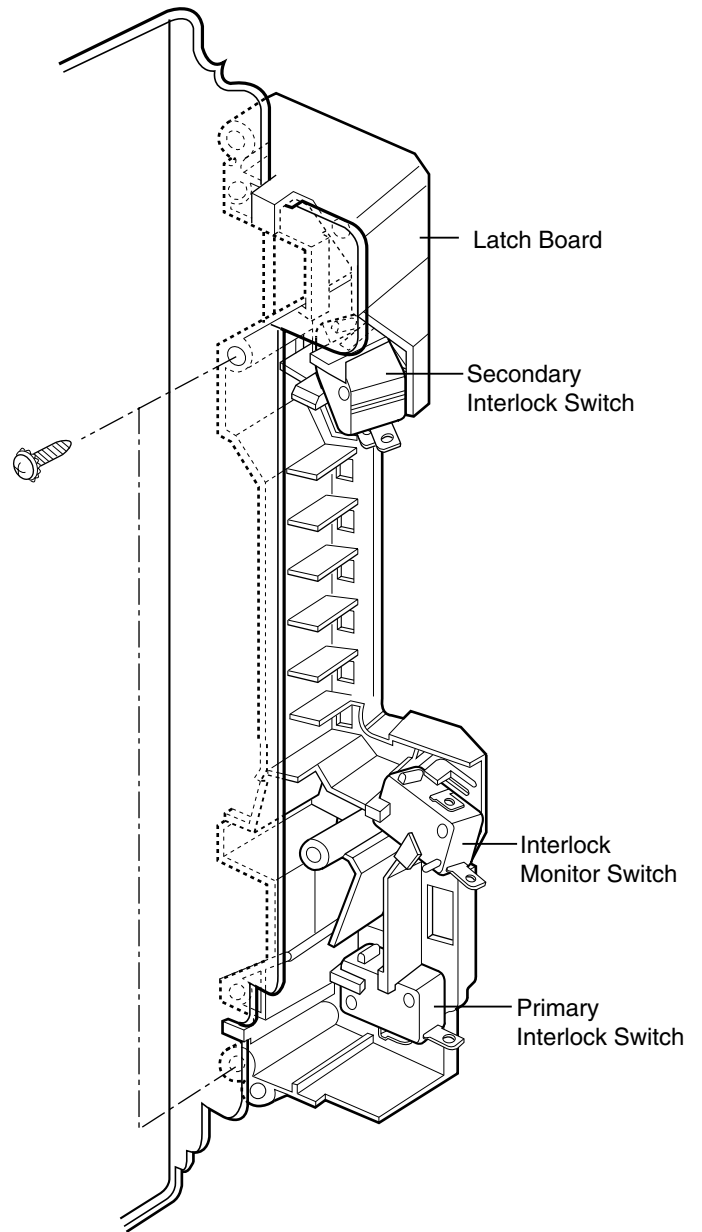


Figure 10

WIRE COLOR

SYMBOL	COLOR
WH	WHITE
BK	BLACK
BR	BROWN
RD	RED
YL	YELLOW
PK	PINK
BL	BLUE
GY	GREY
GN	GREEN
N.P.	Not Provided

D. REMOVING MAGNETRON

(Figures 11 Through 13)

- (1) Remove the vent grille.
- (2) Remove the mount, all.
- (3) Remove the outer case.
- (4) Disconnect the wireleads.
- (5) Remove the three screws and **Magnetron** very carefully.

NOTES:

- When removing the magnetron, make sure that its dome does not hit any adjacent parts, or damage may occur.
- When replacing the magnetron, be sure to install the magnetron gasket in the correct position and be sure that the gasket is in good condition.
- After replacing the magnetron, check for microwave energy leakage with a survey meter. The microwave energy leakage must be below the limit of 5 mW/cm². (All service adjustments should be made for minimum microwave energy leakage readings.)

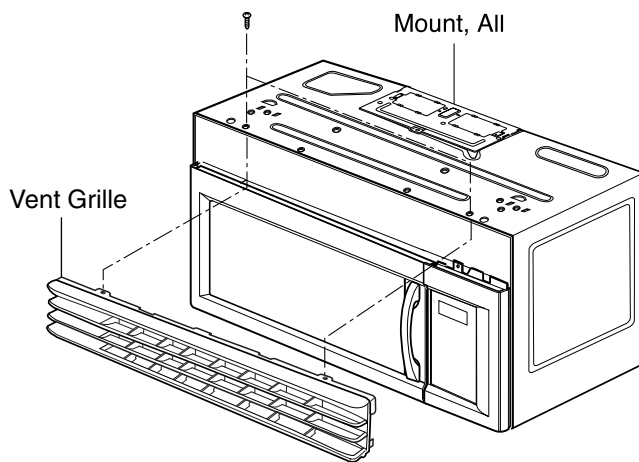


Figure 11

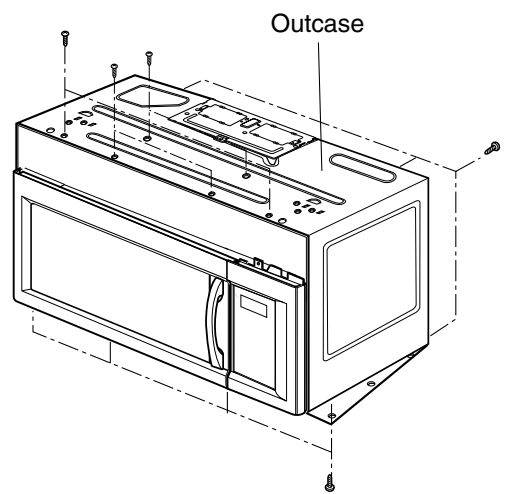


Figure 12

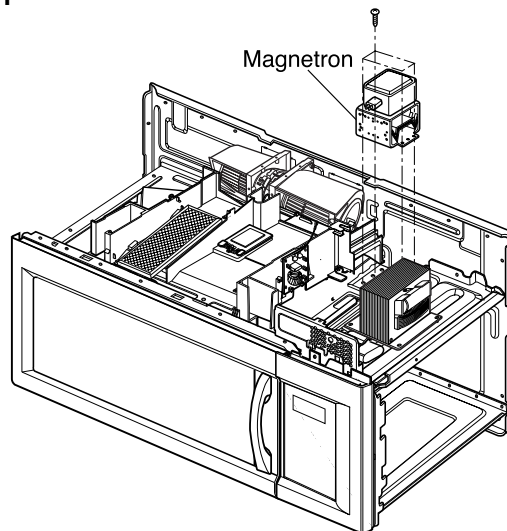


Figure 13

E. REMOVING GRILL HEATER (Figure 14)

- (1) Remove the outer case.
- (2) Remove the air duct by removing six screws securing it to the oven front plate, guide air and glasswool-L cover.
- (3) Disconnect the wire leads of air duct.
- (4) Remove the upper insulator by removing one screw.
- (5) Remove the four screws securing the heater terminal and two net screws securing the heater barrier.
- (6) Remove the heater holding bracket and remove the grill heater from the cavity.

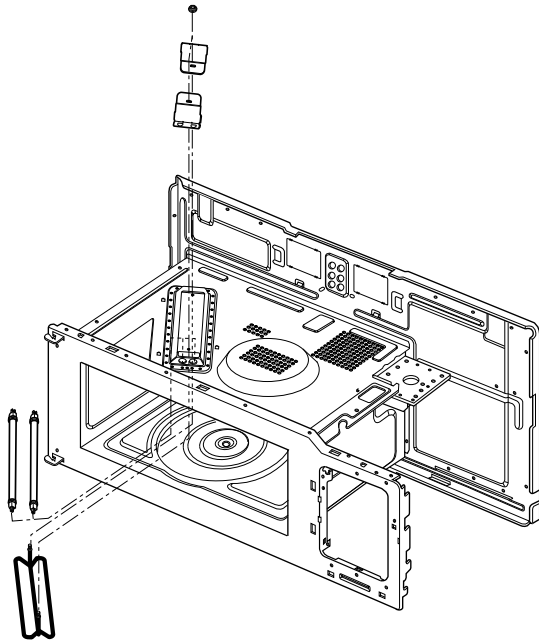


Figure 14

F. REMOVING DOOR (Figure 15)

- (1) Remove the vent grille by removing the two screws securing it to the outer case.
- (2) Lift up and draw the door.

NOTES:

- After replacing the door, be sure to check that the primary interlock switch, the secondary interlock switch and the interlock monitor switch operate normally.
- After replacing the door, check for microwave energy leakage with a survey meter. Microwave energy leakage must be below the limit of $5\text{mW}/\text{cm}^2$. (With a 275 ml water load)

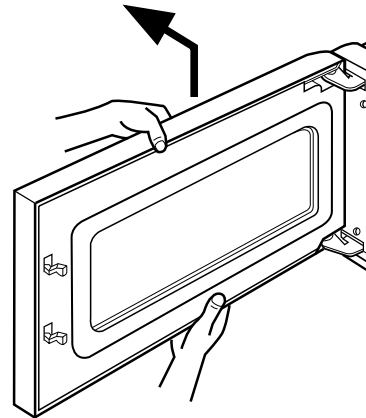


Figure 15

G. DISASSEMBLING DOOR (Figure 16)

- (1) Remove the dielectric choke by using knife blade or small screw driver, etc.
- (2) Remove the two screws securing it to the door handle.

CAUTION: Be careful not to damage door seal plate with the screwdriver.

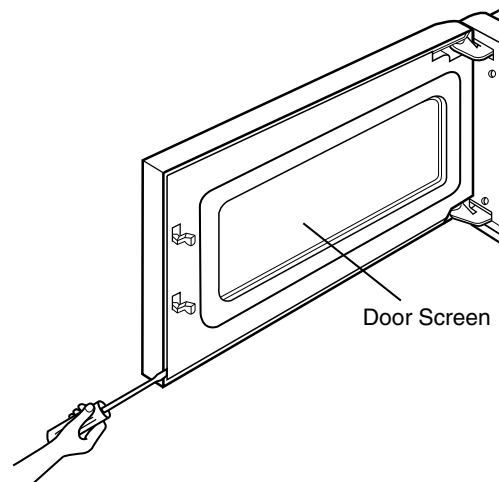
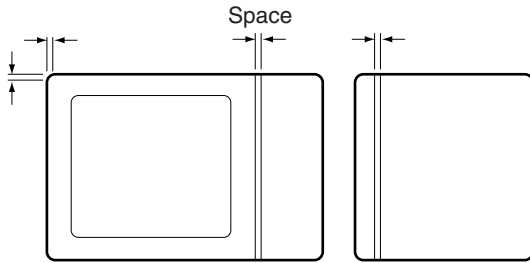


Figure 16

H. ASSEMBLING DOOR

- (1) When mounting the door assembly to the oven assembly, be sure to adjust the door assembly parallel to the chassis. Also adjust the door so there is no play between the inner door surface and oven frame assembly. If the door assembly is not mounted properly, microwaves may leak from the clearance between the door and the oven.



- (3) Carefully pull the ventilation motor assembly out of the microwave oven. (See Figure 19)

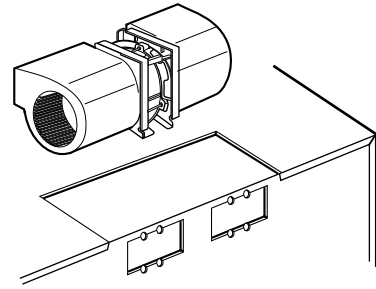


Figure 19

I. REMOVING THE VENTILATION FAN ASSEMBLY

- (1) Remove the mounting plate by removing the two screws securing it to the back plate. (See Figure 17)
- (2) Remove the two screws securing the MOUNT, ALL and one screw securing the ventilation fan assembly. (See Figure 18)

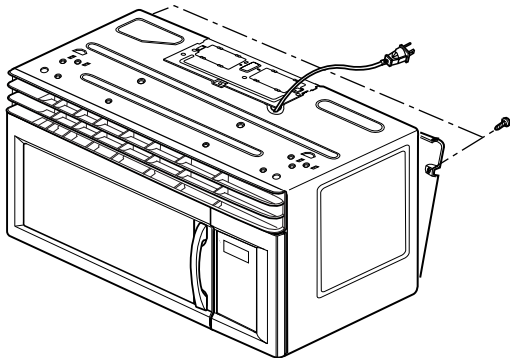


Figure 17

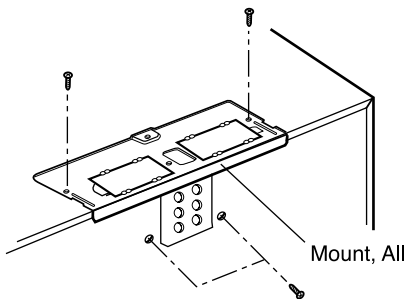


Figure 18

J. REMOVING THE TURNTABLE MOTOR

- (1) Remove the turntable.
- (2) Remove the turntable shaft VERY CAREFULLY with a slotted screwdriver. (Figure 20)
- (3) Remove the base plate by removing eight screws securing it to the oven cavity. (Figure 21)
- (4) Disconnect the leadwire from the turntable motor terminals.
- (5) Remove the two screws securing the turntable motor to the oven cavity assembly. (Figure 22)

NOTES:

- Remove the leadwire from the turntable motor VERY CAREFULLY.
- Be sure to grasp the connector not the wires when removing.

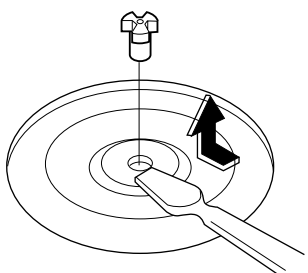


Figure 20

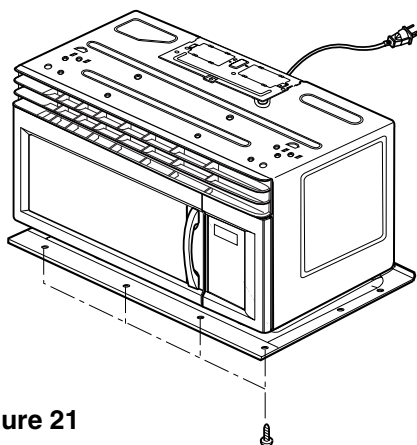


Figure 21

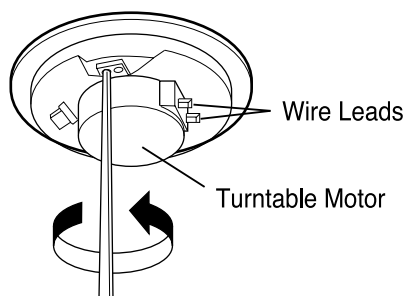


Figure 22

INTERLOCK SYSTEM

INTERLOCK MECHANISM

The door lock mechanism is a device which has been specially designed to stop the microwave activity when the door is opened during cooking and to prevent the danger resulting from the microwave leakage.

ADJUSTMENT PROCEDURES

To avoid possible exposure to microwave energy leakage, adjust the door latches and interlock switches, using the following procedure.

The Interlock Monitor and Primary Interlock Switch act as the final safety switch protecting the user from microwave energy. The terminals between "COM" and "NC" of the Interlock Monitor must close when the door is opened. After adjusting the Interlock Monitor Switch, make sure that it is correctly connected.

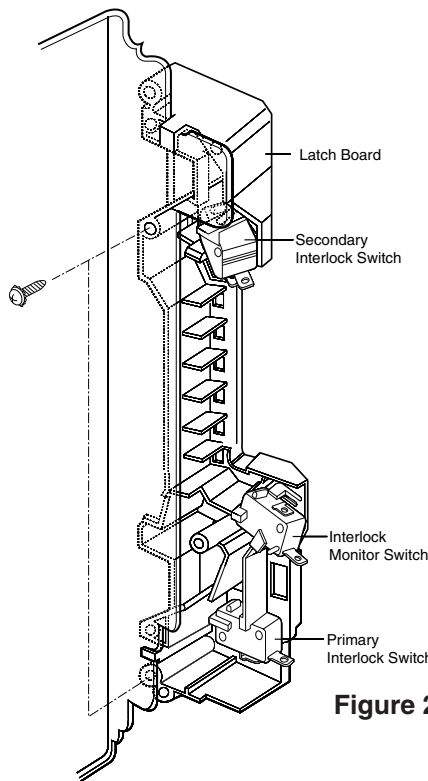


Figure 23

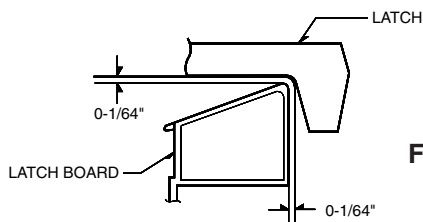


Figure 24

CHECK THE DOOR LATCH AND SWITCH CLOSING.

NOTE:

The outer cover of the microwave oven is removed.

- (1) Set the microwave oven on its side so that you can see the latch board and the switches, as shown in Figure 23.
- (2) Close the door tightly and check gaps A and B to be sure they are no more than 1/64 inch (0.5 mm). See Figure 24 for close-up view of gaps A and B (door latches). If all gaps are less than 1/64 inch (0.5 mm), adjustment of the latch board may not be necessary. Go to Steps 5 and 6 to check the sequence of the switches.

NOTE:

The correct sequence of the Primary Interlock Switch, Secondary Interlock Switch and the Interlock Monitor Switch is very important. **If any gap is larger than 1/64 inch (0.5 mm), you will need to adjust the latch board". Go to step 3 and follow all steps in order.**

ADJUST THE LATCH AND SWITCH CLOSING

- (3) Loosen the two screws holding the plastic latch board as shown.
- (4) With the oven door closed tightly, move the latch board upward toward the top of the oven and/or away from the door latch until the gaps are less than 1/64 inch (0.5 mm). Hold the latch board tightly in this position until you check the sequence of the switches in steps 5 and 6.

TEST THE LATCH AND SWITCH SEQUENCE

(5) Open the oven door slowly and watch the door latch, secondary switch, release rod and lever on the switches so they activate in the following sequence:

- Primary Interlock Switch
- Secondary Interlock Switch
- Interlock Monitor Switch

Adjust the latch board until the switches operate in this sequence. See Steps 3 and 4.

(6) Close the oven door slowly and be sure it is tightly closed. Watch the three switches to make sure they are zero to the body of the switches in the following sequence:

- Interlock Monitor Switch
- Primary Interlock Switch
- Secondary Interlock Switch

NOTE: The Interlock Monitor Switch is an added safety check on the Primary and Secondary Interlock Switches. If the Primary and Secondary Interlock Switches allow the oven to operate with the door open, the Monitor Switch will blow the fuse.

(7) When you achieve the proper sequence of switches in Steps 5 and 6, tighten the latch board screws at that point.

TEST THE MICROWAVE ENERGY LEAKAGE

Make sure the microwave energy leakage is below the limit of $1\text{mW}/\text{cm}^2$ (with a 275 ml water load) and $5\text{mW}/\text{cm}^2$ (with a 275 ml water load without the cabinet) when measured with a survey meter.

INTERLOCK CONTINUITY TEST

A. PRIMARY INTERLOCK SWITCH TEST

When the door is opened slowly, an audible **click** should be heard at the same time or successively at intervals.

If the latches do not activate the switches when the door is closed, the switches should be adjusted in accordance with the adjustment procedure.

Disconnect the wire lead from the primary switch. Connect the ohmmeter leads to the common (COM) and normally open (NO) terminal of the switch. The meter should indicate an open circuit in the door open condition.

When the door is closed, the meter should indicate a closed circuit.

When the primary switch operation is abnormal, make the necessary adjustment or replace the switch only with the same type of switch.

B. SECONDARY INTERLOCK SWITCH TEST

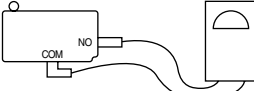


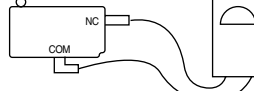


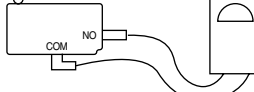


Disconnect the wire lead from the secondary switch.

Connect the ohmmeter leads to the common (COM) and normally open (NO) terminals of the switch. The meter should indicate a open circuit in the door open position. When the door is closed, the meter should indicate an closed circuit. When the secondary switch operation is abnormal, make the necessary adjustment or replace the switch only with the same type of switch.

C. MONITOR SWITCH TEST

Disconnect the wire lead from the monitor switch. Connect the ohmmeter leads to the common (COM) and normally closed (NC) terminals of the switch. The meter should indicate closed circuit in the door open condition. When the door is closed, meter should indicate an open circuit. When the monitor switch operation is abnormal, replace with the same type of switch.

NOTE: After repairing the door or the interlock system, it is necessary to do this continuity test before operating the oven.

COMPONENTS	TEST PROCEDURE	RESULTS	
		Door open	Door closed
SWITCHES (Wire leads removed)	Check for continuity of the switch with an Ohm-meter		
	Primary Switch 		
	Monitor Switch 		
	Secondary Switch 		
NOTE: After checking for the continuity of switches, make sure that they are connected correctly.			

WARNING : FOR CONTINUED PROTECTION AGAINST EXCESSIVE RADIATION EMISSION, REPLACE ONLY WITH IDENTICAL REPLACEMENT PARTS.

TYPE NO. SZM-V16-FA-63 OR VP-533A-OF OR V-5230Q FOR PRIMARY SWITCH

TYPE NO. SZM-V16-FA-62 OR VP-532A-OF OR V-5220Q FOR MONITOR SWITCH

TYPE NO. SZM-V16-FA-63 OR VP-533A-OF OR V-5230Q FOR SECONDARY SWITCH

TEST AND CHECKOUT PROCEDURES AND TROUBLESHOOTING

- CAUTIONS -

- DISCONNECT THE POWER SUPPLY CORD FROM THE WALL OUTLET WHENEVER REMOVING THE CABINET FROM THE UNIT. PROCEED WITH THE TESTS ONLY AFTER DISCHARGING THE HIGH VOLTAGE CAPACITOR AND REMOVING THE WIRE LEADS FROM THE PRIMARY WINDING OF THE HIGH VOLTAGE TRANSFORMER. (SEE FIGURE 25)
- ALL OPERATIONAL CHECKS WITH MICROWAVE ENERGY MUST BE DONE WITH A LOAD (1 LITER OF WATER IN CONTAINER) IN THE OVEN.

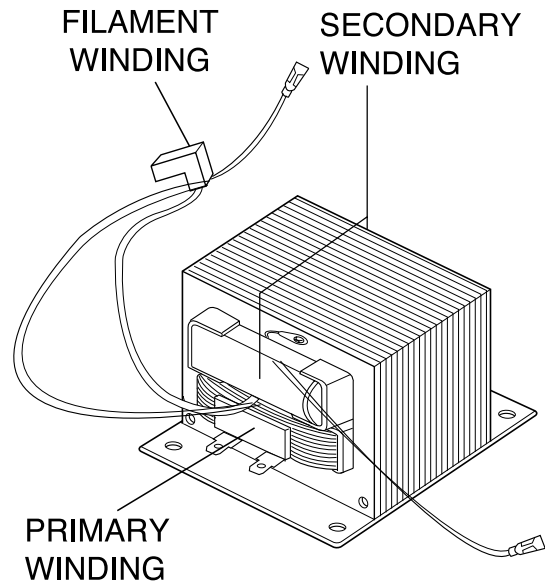
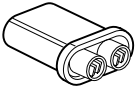
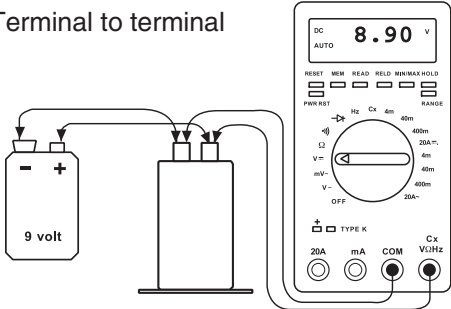
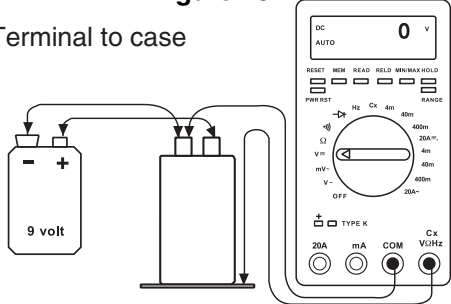
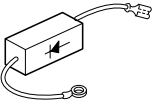


Figure 25

A. TEST PROCEDURES

COMPONENTS	TEST PROCEDURES	RESULTS
MAGNETRON (Wire leads are removed)	<ol style="list-style-type: none"> 1) Measure the resistance: Across the filament terminals of the magnetron with an ohm-meter on Rx1 scale. 2) Measure the resistance: Between each filament terminal of the magnetron and the chassis ground with an ohm-meter on high test scale. 	<p>Normal reading: Less than 1 ohm.</p> <p>Normal reading: Infinite ohms.</p> <p>NOTE: Replace the magnetron, if the magnetron checks and all of the high voltage component tests are good, but the unit still does not heat a load.</p>
HIGH-VOLTAGE TRANSFORMER (Wire leads are removed)	<ol style="list-style-type: none"> 1) Remove the wire leads. 2) Measure resistance.(ohm meter scale: Rx1) <ol style="list-style-type: none"> a. Primary winding b. Secondary winding c. Filament winding 3) Measure resistance. (ohm meter scale: Rx1000) <ol style="list-style-type: none"> a. Primary winding to ground b. Filament winding to ground 	<p>Normal readings: Approx. 0.3 to 0.5 ohm. Approx. 65 to 120 ohms. Less than 0.1 ohm.</p> <p>Normal readings: Infinite. Infinite.</p>

NOTE: A MICROWAVE ENERGY LEAKAGE TEST MUST ALWAYS BE PERFORMED WHEN THE UNIT IS SERVICED FOR ANY REASON.

COMPONENTS	TEST PROCEDURES	RESULTS
<p data-bbox="204 510 363 568">H.V. CAPACITOR</p> 	<ol data-bbox="448 192 967 349" style="list-style-type: none"> 1. Check DC 9V battery before performing tests. 2. Select the DCV scale on the meter. 3. Using the meter, battery, and jump wire, connect the items as illustrated in figures. <ul data-bbox="448 367 708 394" style="list-style-type: none"> • Terminal to terminal  <p data-bbox="635 678 754 705">Figure 26</p> <ul data-bbox="448 723 671 750" style="list-style-type: none"> • Terminal to case  <p data-bbox="635 1014 754 1041">Figure 26</p>	<p data-bbox="1002 376 1214 434">Normal: Approximately 9V</p> <p data-bbox="1002 472 1214 530">Abnormal: Approximately 0V</p> <p data-bbox="1002 725 1347 819">Normal: Approximately 0V or a value displayed in mV will be seen.</p>
<p data-bbox="204 1368 363 1426">H.V. DIODE (RECTIFIER)</p> 	<p data-bbox="448 1084 967 1111">STEP 1. Test the diode to see if it is shorted.</p> <p data-bbox="448 1122 568 1149"><i>Procedure:</i></p> <ol data-bbox="448 1155 967 1429" style="list-style-type: none"> 1. Select the ohm scale on the meter. 2. Place the meter leads across the diode as pictured in Figure 27-1. The reading should be “40M ohm,” “OL,” or a reading of infinity. 3. Reverse the meter leads. The reading should again indicate a reading of infinity. If the diode shows infinity in BOTH directions, it is NOT shorted. 4. If the diode is not shorted, proceed to step 2. <p data-bbox="448 1458 967 1485">STEP 2. Test the diode for forward biasing.</p> <p data-bbox="448 1496 568 1523"><i>Procedure:</i></p> <ol data-bbox="448 1529 967 1899" style="list-style-type: none"> 1. Select the DCV scale on the meter. 2. Using the meter, battery and jumper wire, connect the items as illustrated in Figure 27-2. This has the positive side of the battery connected to the cathode of the diode. 3. The diode should be forward biased therefore a voltage reading of approximately 4.7 VDC to 6.4 VDC will be read depending on meter, battery strength, etc. (Note: If the meter leads were reversed, a negative voltage of the same amount would be seen.) 	<p data-bbox="1002 1496 1299 1554">Normal: Approximately 4.7 - 6.4V</p>

COMPONENTS	TEST PROCEDURES	RESULTS
	<p>STEP 3. Test the diode for reverse biasing. Procedure:</p> <ol style="list-style-type: none"> Using the same scale on the meter, connect the positive side of the battery to the anode of the diode as illustrated in Figure 27-3. The diode should be reverse biased therefore a reading of 0 volt or a value displayed in mV will be seen. (The display will be erratic changing values rapidly in the mV scale.) 	<p>Normal: Approximately 0V</p>

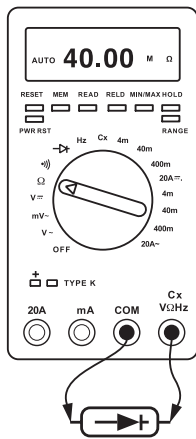


Figure 27-1

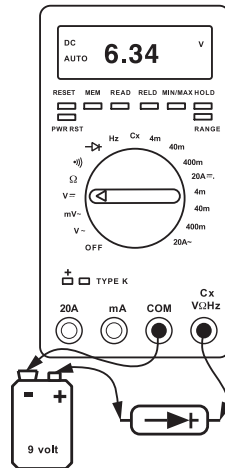


Figure 27-2

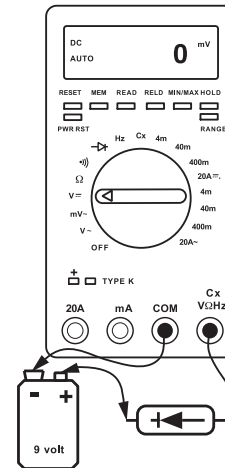


Figure 27-3

TOUCH KEY BOARD

Measure the resistance between terminal pins of connector KEY CONNECTOR.
NOTE:
When reconnecting the FPC connector, make sure that the holes on the FPC connector are properly engaged with hooks on the plastic fastener.

MATRIX CIRCUIT FOR TOUCH KEY BOARD

CONNECTOR(KEY CON)

(For detail matrix circuit of each model, refer to page 5-2.)

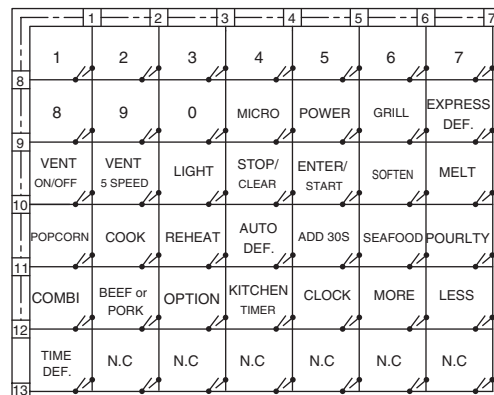


Figure 28

Resistance value	When touched	When not touched
	Less than 400 ohms	More than 1 mega ohm

FPC CONNECTOR Top

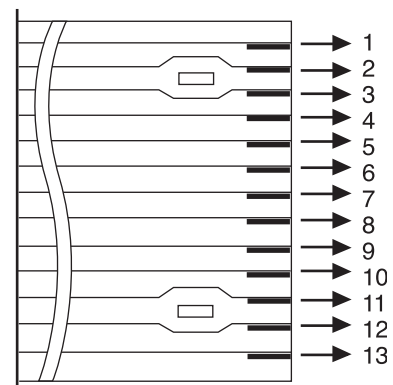


Figure 29

COMPONENTS	TEST PROCEDURES	RESULTS						
<p>RELAY8</p>	<p>1. Measure continuity. (ohm meter scale: Rx1)</p> <p>2. Remove the lead wires and operate oven at power level 1 through power level 10 .</p> <div data-bbox="600 398 802 636" style="text-align: center;"> </div> <p style="text-align: center;">Figure 30</p>	<p>POWER LEVEL</p>	<p>OPEN</p>	<p>CLOSE</p>				
	1	4 sec	18 sec					
	2	6 sec	16 sec					
	3	8 sec	14 sec					
	4	10 sec	12 sec					
	5	12 sec	10 sec					
	6	14 sec	8 sec					
	7	16 sec	6 sec					
	8	18 sec	4 sec					
	9	20 sec	2 sec					
10	22 sec	0 sec						
<p>RELAY11</p>	<p>1. Measure continuity. (ohm meter scale: Rx1)</p> <p>2. Remove the lead wires and operate oven Grill Cooking.</p> <div data-bbox="802 797 946 965" style="text-align: center;"> </div>	<table border="1" style="width: 100%; text-align: center;"> <tr> <td data-bbox="1007 775 1225 853">Grill Cooking Start</td> <td data-bbox="1225 775 1426 853">OFF</td> </tr> <tr> <td data-bbox="1007 853 1225 943"> </td> <td data-bbox="1225 853 1426 943"> </td> </tr> </table>			Grill Cooking Start	OFF		
Grill Cooking Start	OFF							
<p>HEATER ELEMENT</p>	<p>1. Remove the wire leads. 2. Measure resistance. (ohm meter scale: Rx1)</p> <div data-bbox="826 999 900 1155" style="text-align: center;"> </div>	<p>Normal: Approximately 15 to 25 ohms Abnormal: Infinite or several.</p>						
<p>VENTILATION MOTOR</p>	<p>1. Remove the lead wires. 2. Measure resistance. (ohm meter scale: Rx1)</p> <div data-bbox="762 1200 963 1335" style="text-align: center;"> </div>	<p>Normal: Approximately 20 to 40 ohms Abnormal: Infinite</p>						
<p>TURNTABLE MOTOR</p>	<p>1. Remove the wire leads. 2. Measure resistance. (ohm meter scale: Rx1000)</p> <div data-bbox="826 1458 963 1559" style="text-align: center;"> </div>	<p>Normal: Approximately 2.5 to 3.5 Kohms Abnormal: Infinite or several.</p>						
<p>ABSOLUTE HUMIDITY SENSOR (FOR SENSOR MODEL)</p>	<p>1. Disconnect sensor connector from micom computer board. 2. Measure resistance terminal to terminal (ohm meter scale: Rx1000)</p> <div data-bbox="826 1727 948 1917" style="text-align: center;"> </div>	<p>Normal: Approximately BK-RD: 6.0 Kohms RD-WH: 3.0 Kohms BK-WH: 3.0 Kohms Abnormal: Infinite or approx. 0 ohm</p>						

NOTES:

- A MICROWAVE ENERGY TEST MUST ALWAYS BE PERFORMED WHEN THE UNIT IS SERVICED FOR ANY REASON.
- MAKE SURE THE WIRE LEADS ARE IN THE CORRECT POSITION.
- WHEN REMOVING THE WIRE LEADS FROM THE PARTS, BE SURE TO GRASP THE CONNECTOR, NOT THE WIRES.

B. CHECKOUT PROCEDURES

(1) CHECKOUT PROCEDURES FOR FUSE BLOWING

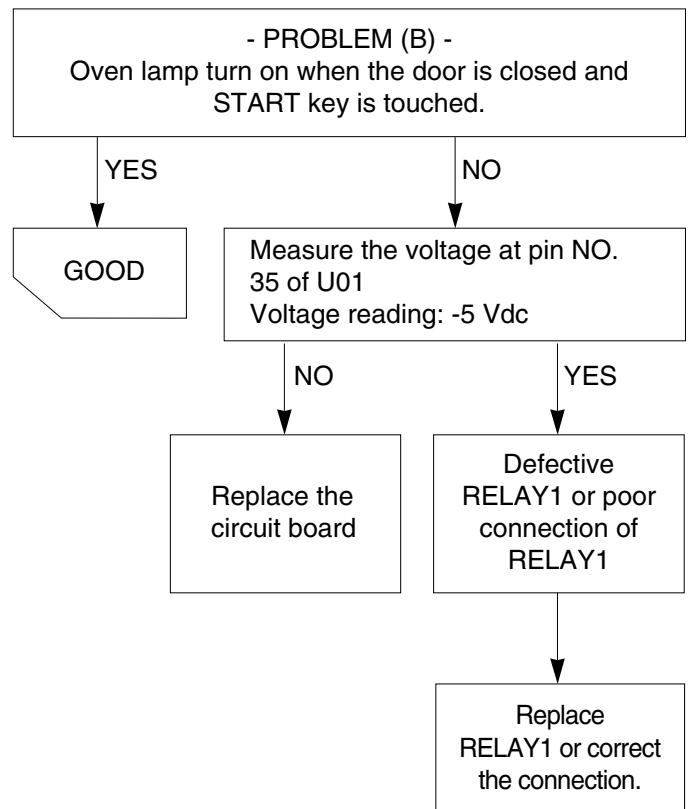
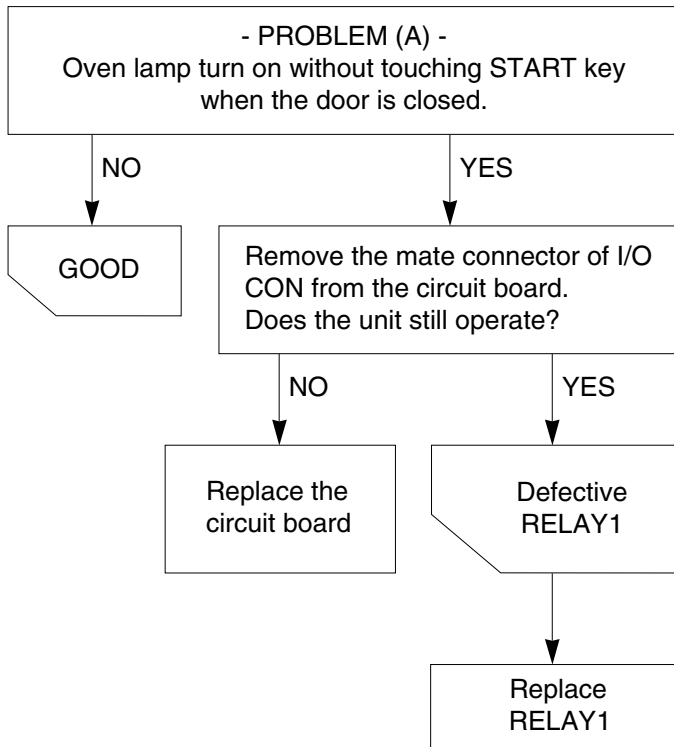
CAUTION: REPLACE BLOWN FUSE WITH 20 AMPERE FUSE.

PROBLEMS	CAUSES
Fuse blows immediately after the door is closed.	Improper operation of the primary interlock, secondary interlock switches and/or the interlock monitor switch.
Fuse blows immediately after the door is opened.	
Fuse blows when the door is closed and START key is touched.	Malfunction of the high voltage transformer; the high voltage capacitor including the diode, the magnetron, the blower motor or the circuit board.

NOTES:

- If the fuse is blown by an improper switch operation, replace all switches and the fuse at the same time. After replacing the defective switches with new ones, make sure that they are correctly connected.
- Check for microwave energy leakage according to INTERLOCK ADJUSTMENT PROCEDURES on page 7-12 when the primary interlock, secondary interlock switches and/or the interlock monitor switches are adjusted or replaced.

(2) CHECKOUT PROCEDURES FOR RELAY.



(3) CHECKOUT PROCEDURES FOR CIRCUIT BOARD

The following symptoms indicate a defective circuit board.

- 1) The start function fails to operate but the high voltage Systems, the interlock switches, the door sensing and the relay check good.
- 2) The unit with a normal relay continuously operates.
- 3) Proper temperature measurement is not obtained.
- 4) The buzzer does not sound or continues to sound.
- 5) Some segments of one or more digits do not light up, or they continue to light up, or segments light when they should not.
- 6) Wrong figures appear.
- 7) The figures of all digits.
- 8) Some of the indicators do no flicker light up.
- 9) The clock does not keep time properly.

NOTE: A MICROWAVE ENERGY LEAKAGE TEST MUST ALWAYS BE PERFORMED WHEN THE UNIT IS SERVICED FOR ANY REASON.

C. TROUBLE SHOOTING

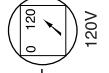
Before following this troubleshooting read "TRIAL OPERATION" on page 6-1.

- "DISPLAY" Problems, "A" thru "D"
- "HELP UP" Problems, "E" thru "F"
- "BUZZER Problems, "G"

PROBLEM - A: "PLEASE SET TIME OF DAY" does not appear in display window when power supply cord is plugged into wall outlet

1

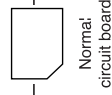
1. POWER SUPPLY
2. FUSE (See "CHECKOUT PROCEDURES FOR FUSE BLOWING" on page 7-18)
3. OVEN CAVITY THERMOSTAT



120V



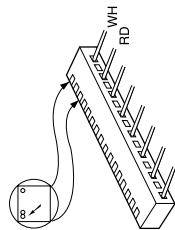
Replace circuit board



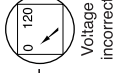
Normal circuit board



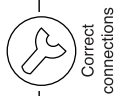
Runs



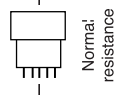
Measure voltage between pin 1 and pin 3 of connector CN1.



120V



Correct connections



Normal resistance



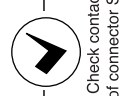
Runs

PROBLEM - B: Display does not show correct numbers and/or correct indications when programmed.

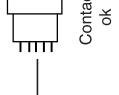
1



Normal resistance



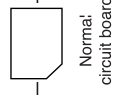
Check contact of connector S1



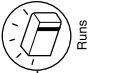
Contact ok



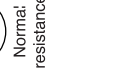
Replace circuit board



Normal circuit board



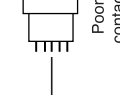
Runs



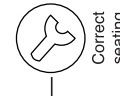
Resistance incorrect



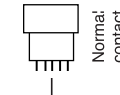
Replace touch key board.



Poor contact



Correct seating

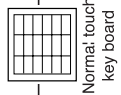


Normal contact



Runs

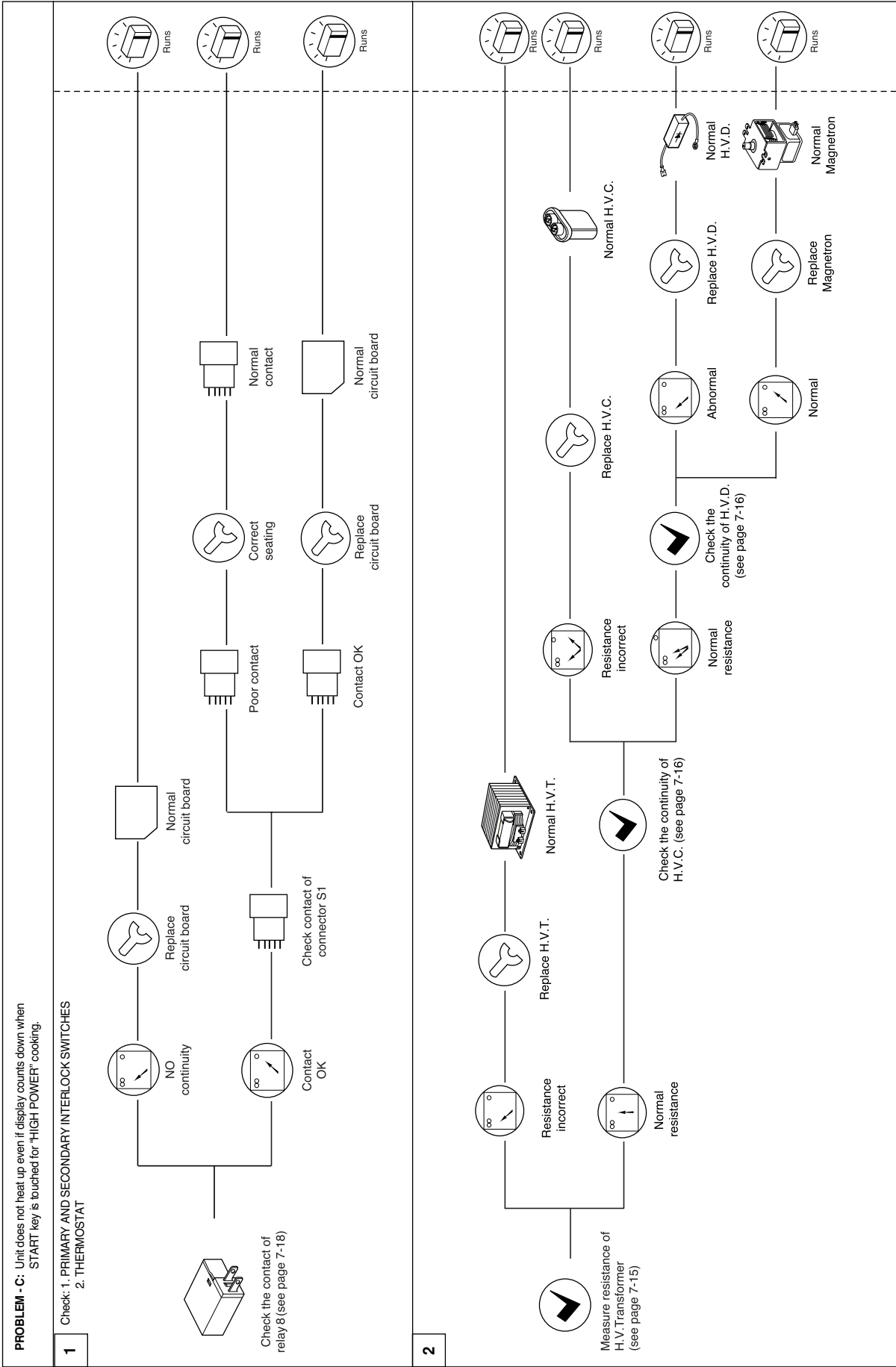
Measure resistance of touch key board after removing connector S1. (See page 7-4 and 7-17)



Normal touch key board.



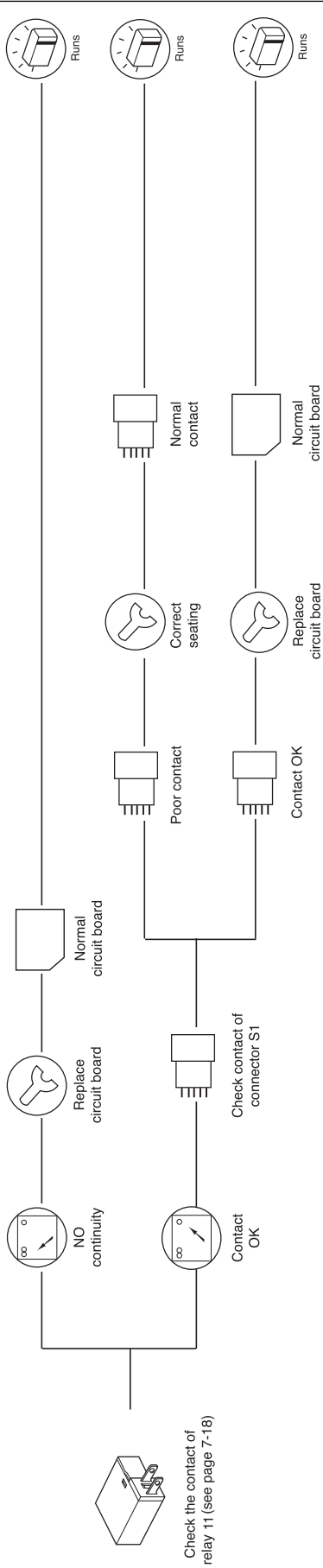
Runs



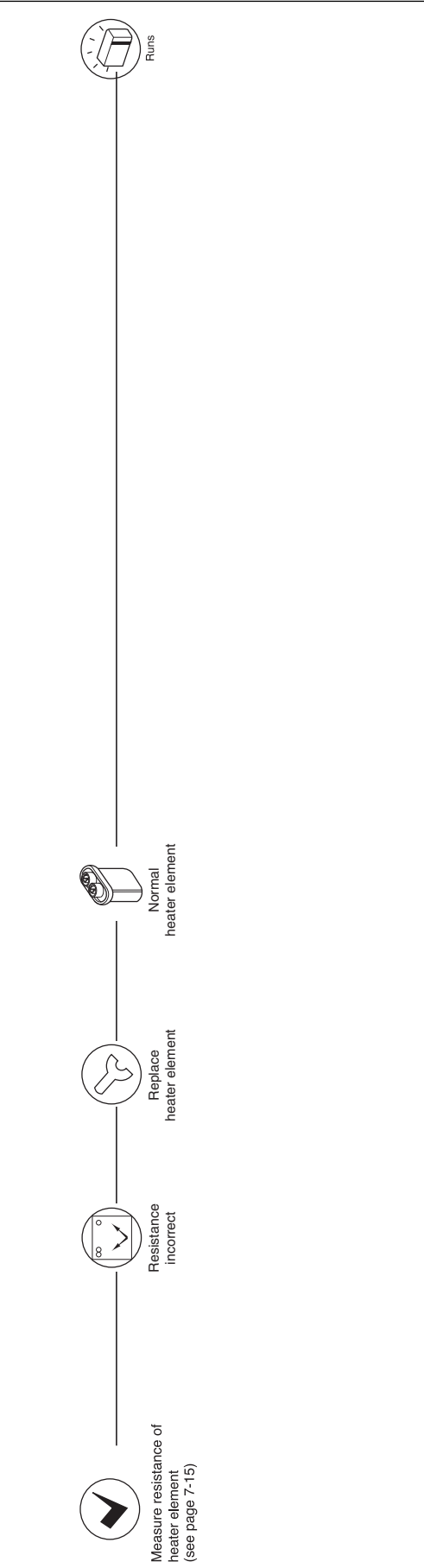
PROBLEM - D: Unit does not heat up even if display counts down when START key is touched for "GRILL" cooking.

- 1 Check: 1. PRIMARY AND SECONDARY INTERLOCK SWITCHES
2. HEATER THERMOSTAT

1



2



PROBLEM - E: No buzzing when touching the key, between stages or at end of cooking

1



Check normal operation circuit board



Replace circuit board



Normal circuit board

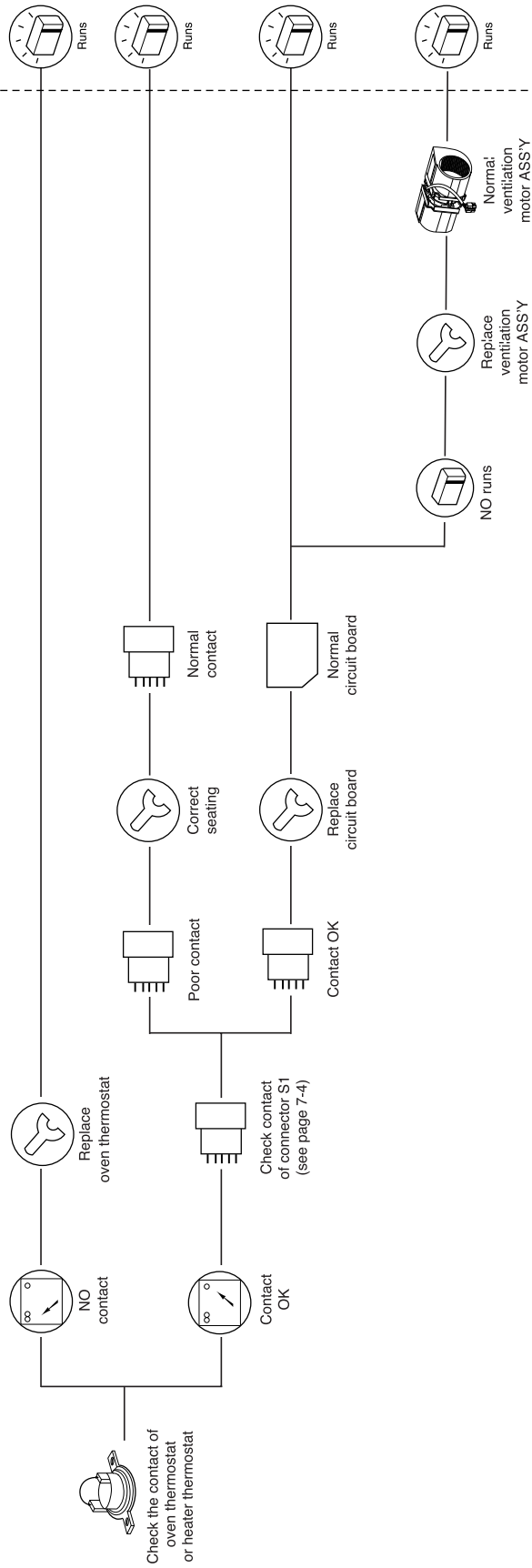


Runs

PROBLEM - F: Ventilation fan does not operate when "FAN HIGH/LOW" key is touched.

1

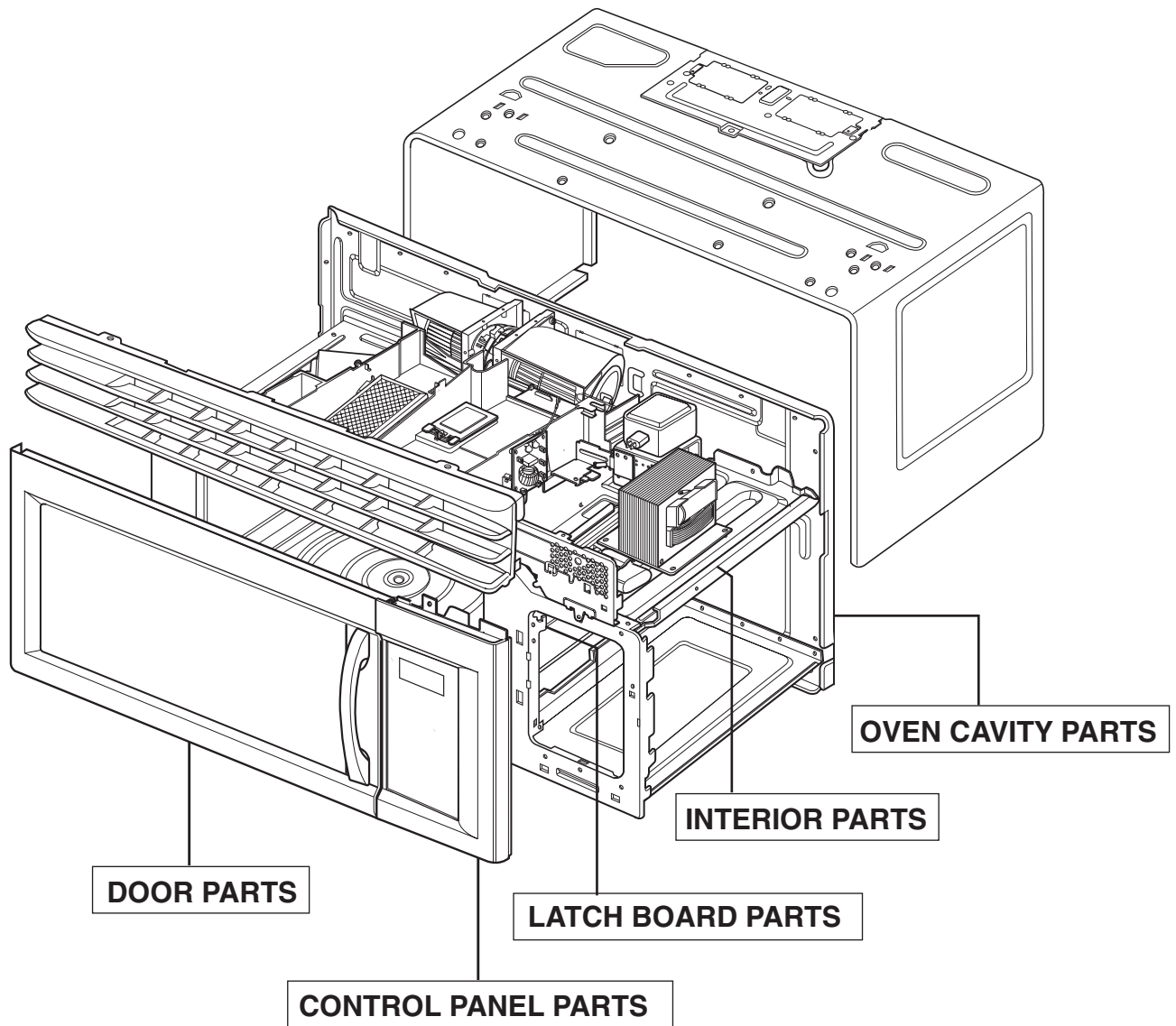
- Check: 1. POWER SUPPLY
- 2. FUSE



EXPLODED VIEW

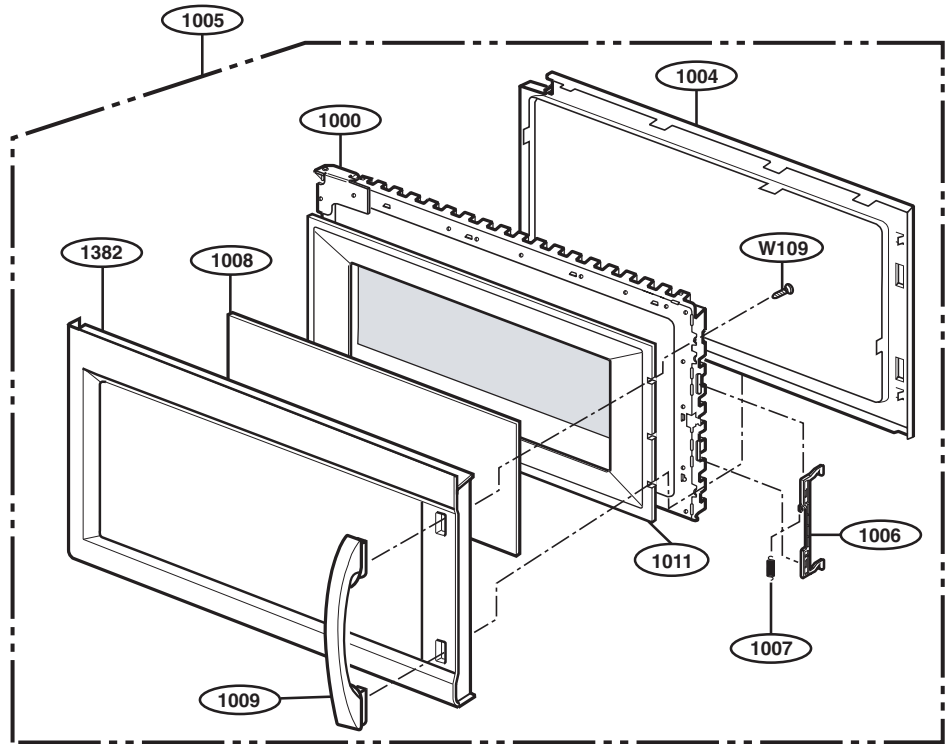
INTRODUCTION PARTS

MODEL 721.81622600
721.81623600
721.81629600

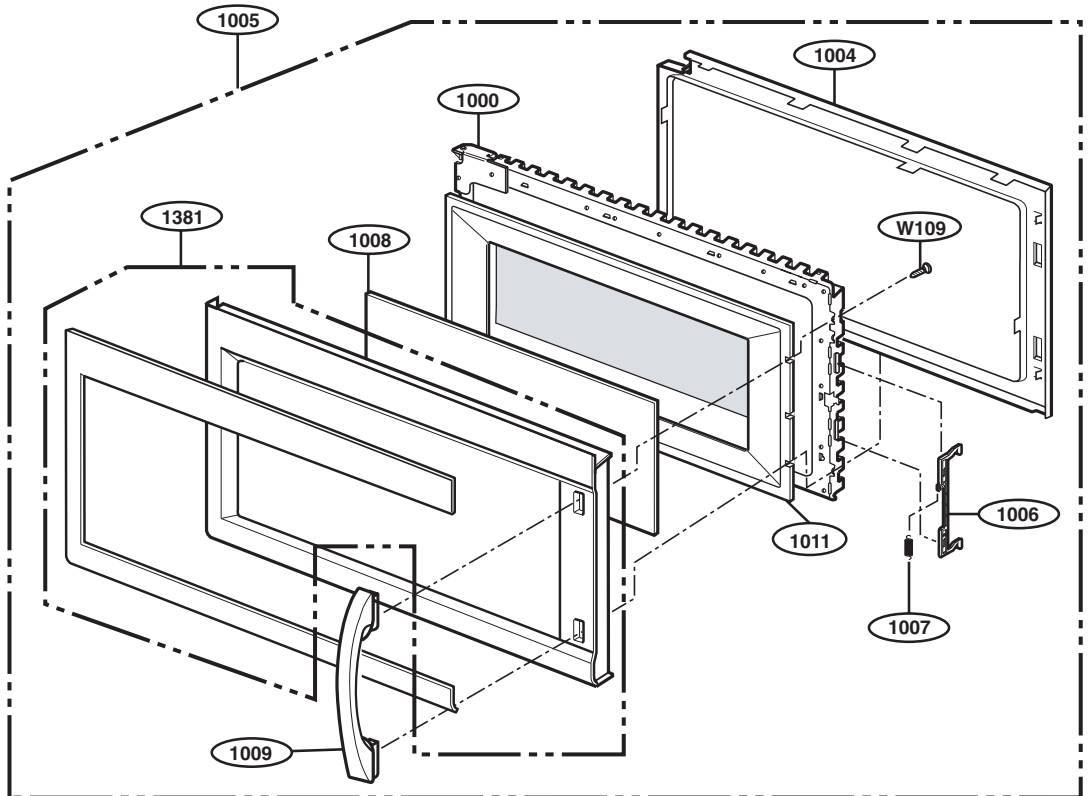


DOOR PARTS

For Model: 721.81622
721.81629

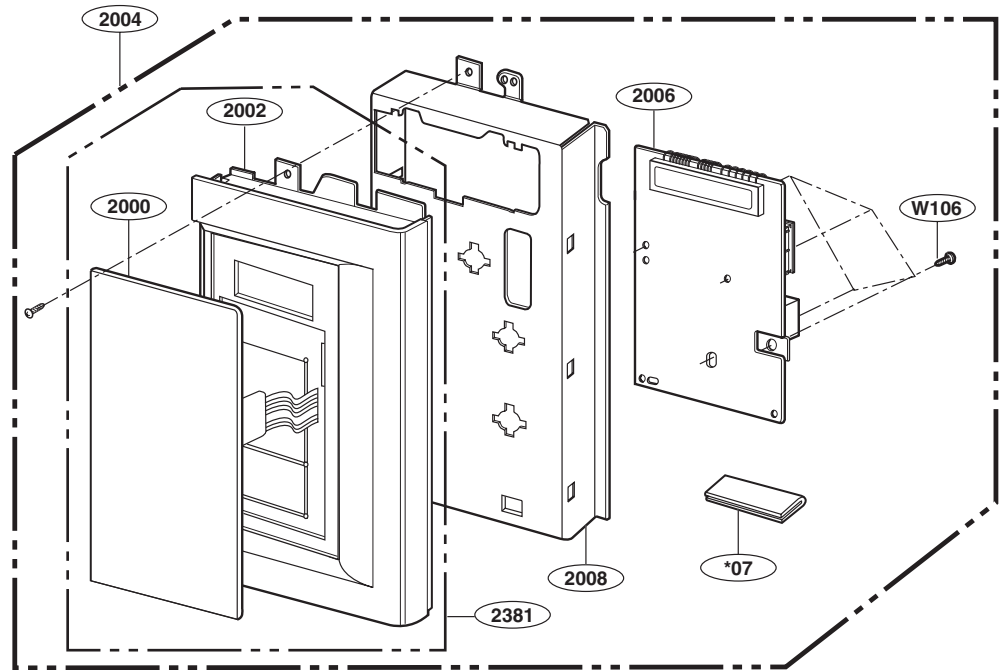


For Model: 721.81623

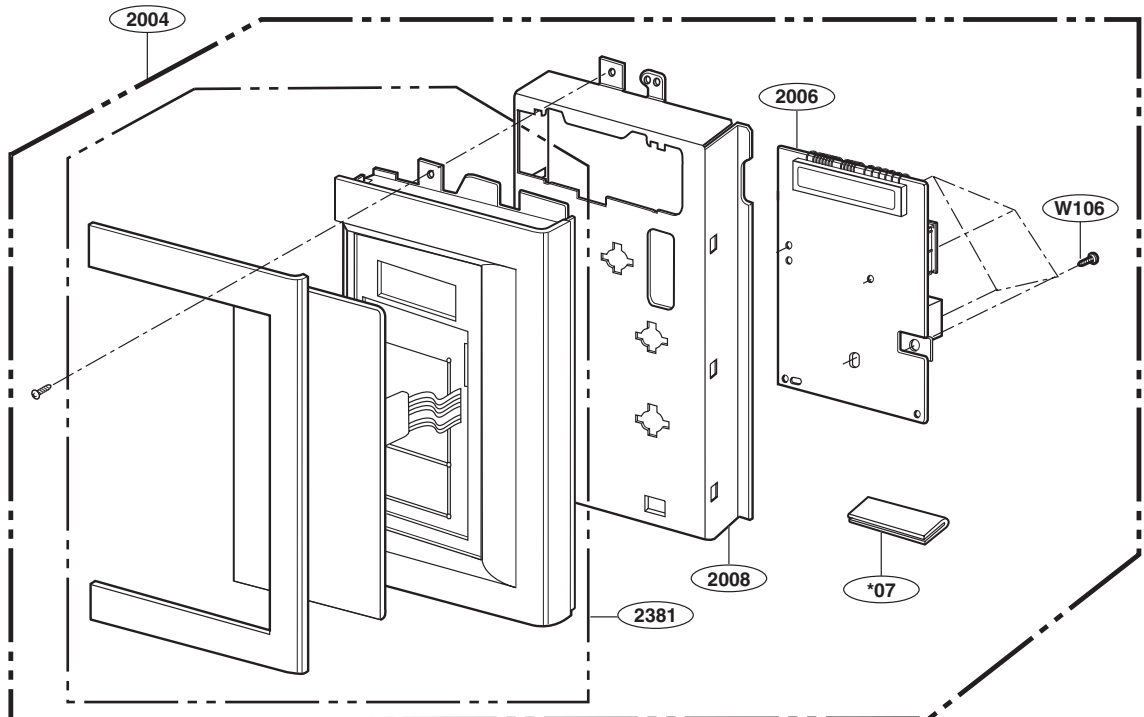


CONTROLLER PARTS

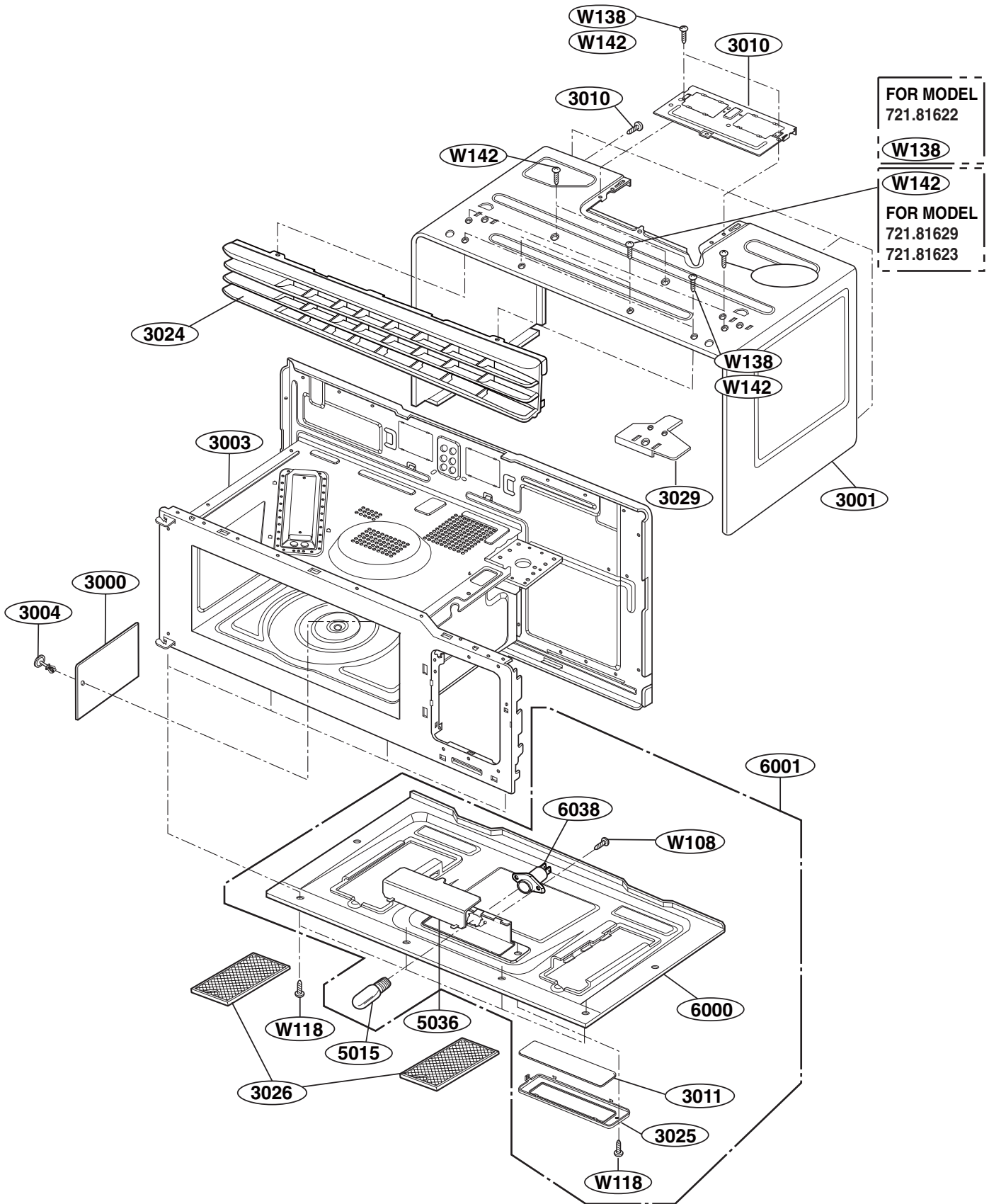
For Model: 721.81622
721.81629



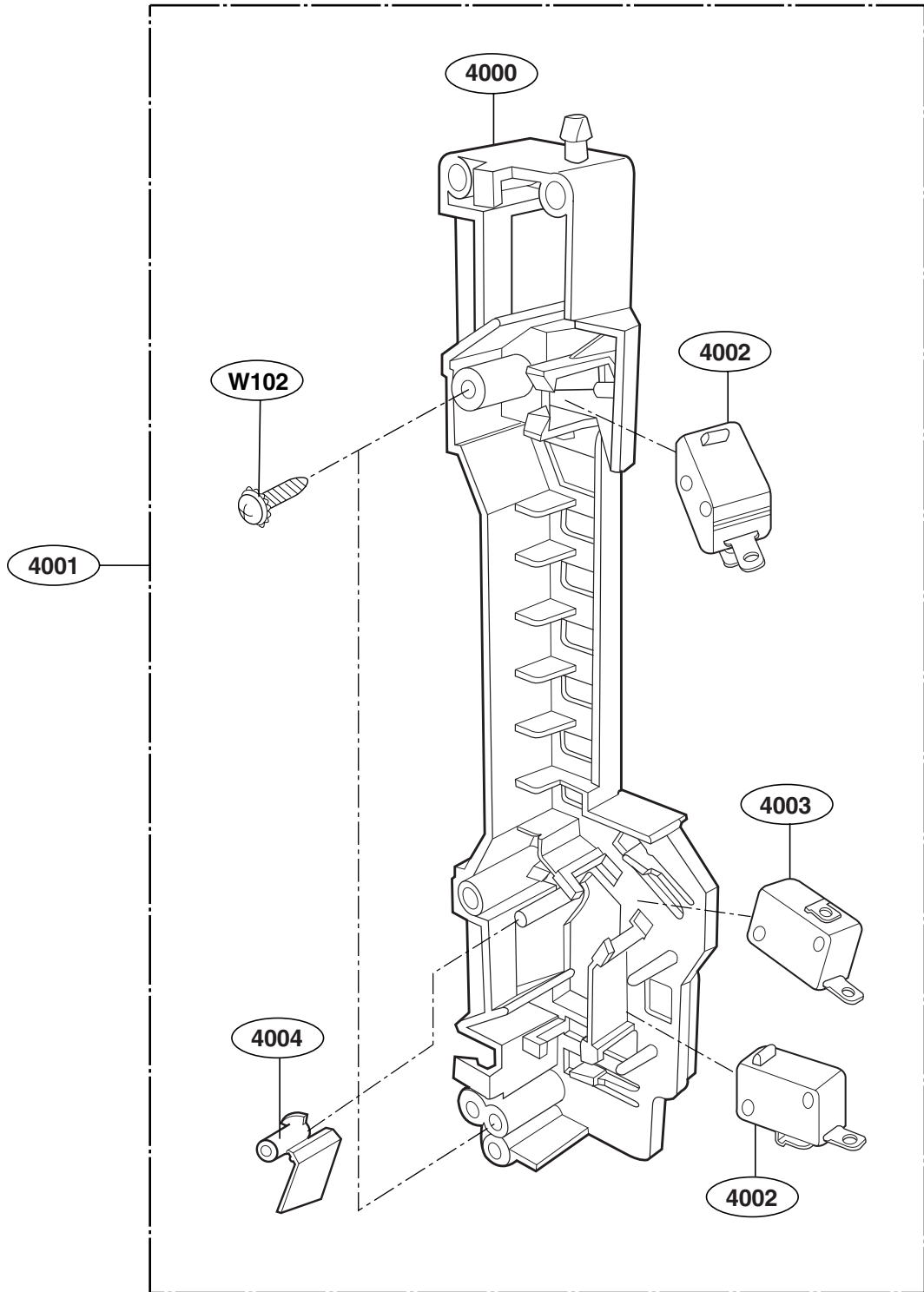
For Model: 721.81623



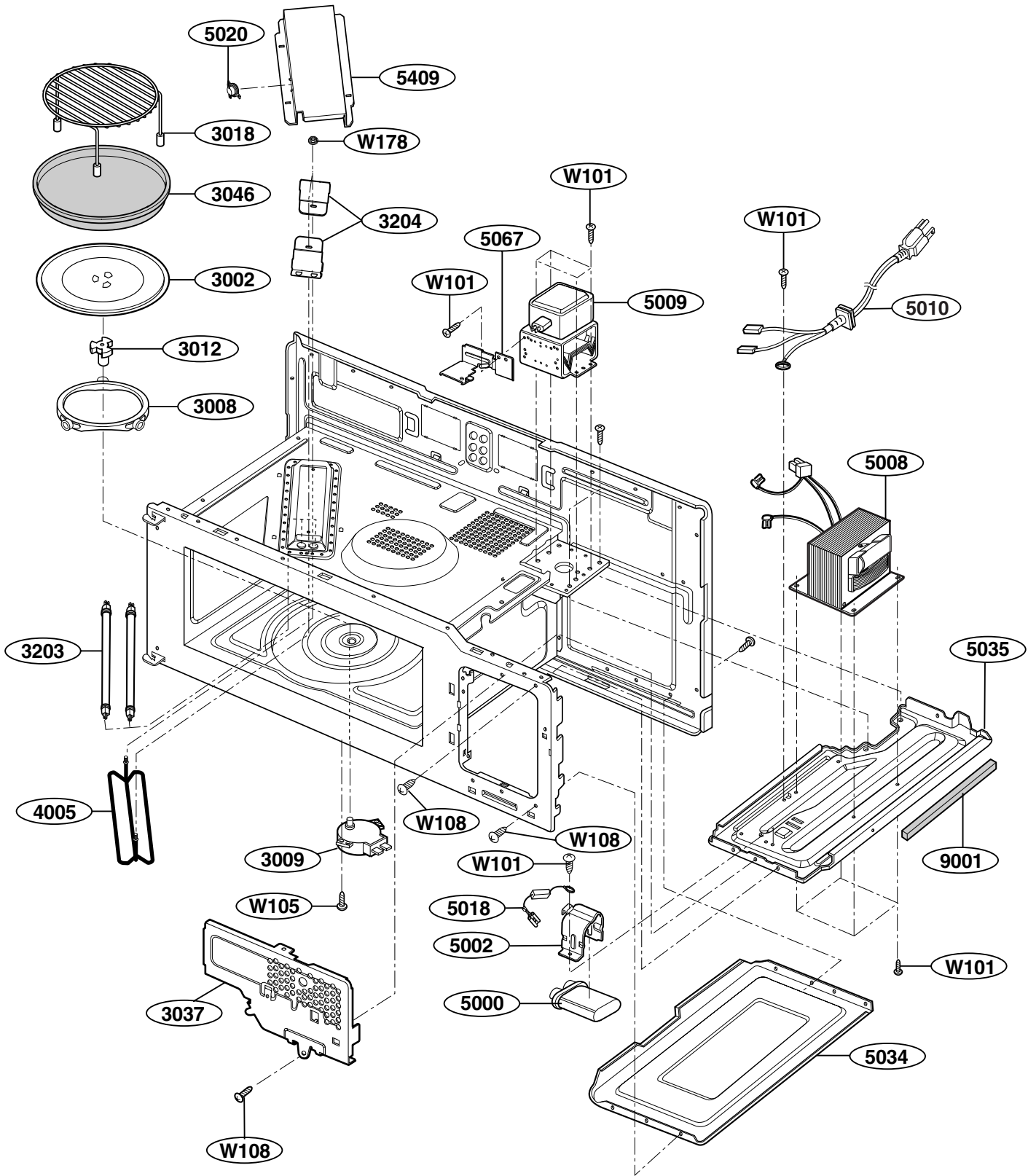
OVEN CAVITY PARTS



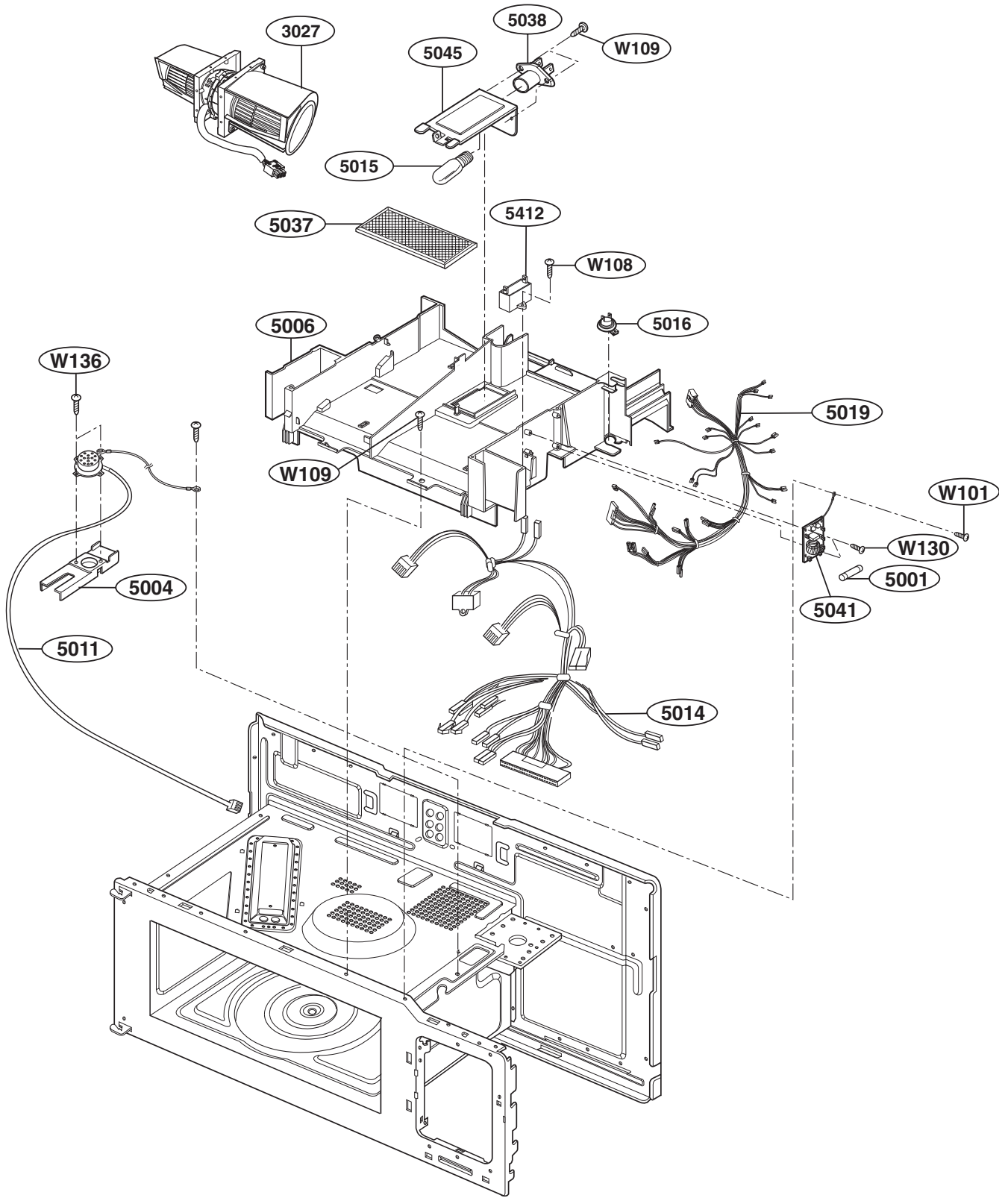
LATCH BOARD PARTS



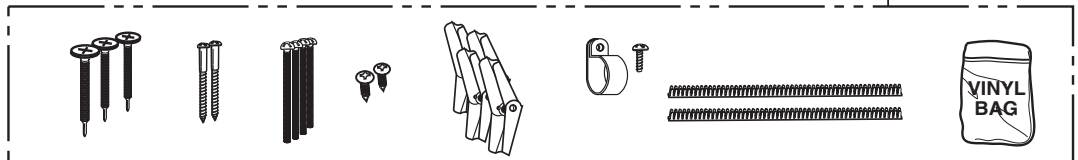
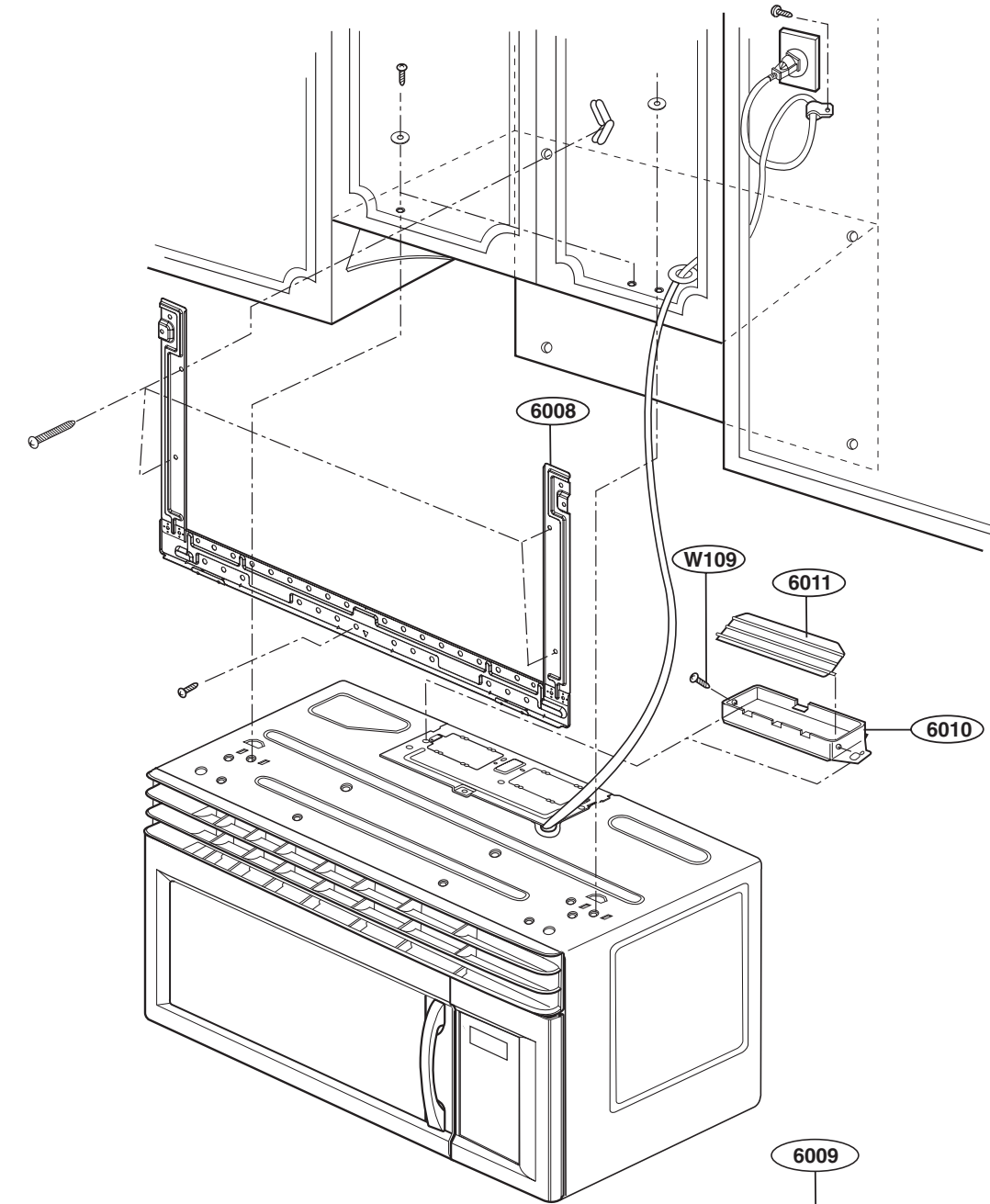
INTERIOR PARTS (I)



INTERIOR PARTS (II)



INSTALLATION PARTS



- | | | | | | | | |
|----------------|-------|----------------|-------|---------------------|-----|---------------------|-----|
| OWNERS MANUAL | *01 | SERVICE MANUAL | *02 | INSTALLATION MANUAL | *04 | COOKING GUIDE LABEL | *05 |
| UPPER TEMPLATE | *06-1 | WALL TEMPLATE | *06-2 | | | | |

P/NO : MFL30502901