

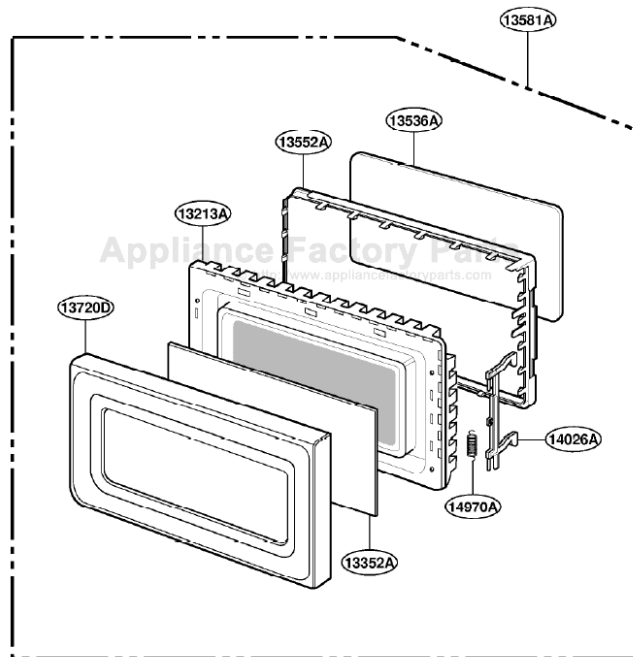
This Owner's Manual is provided and hosted by Appliance Factory Parts.



Kenmore 86910 Owner's Manual

[Shop genuine replacement parts for Kenmore 86910](#)

DOOR PARTS

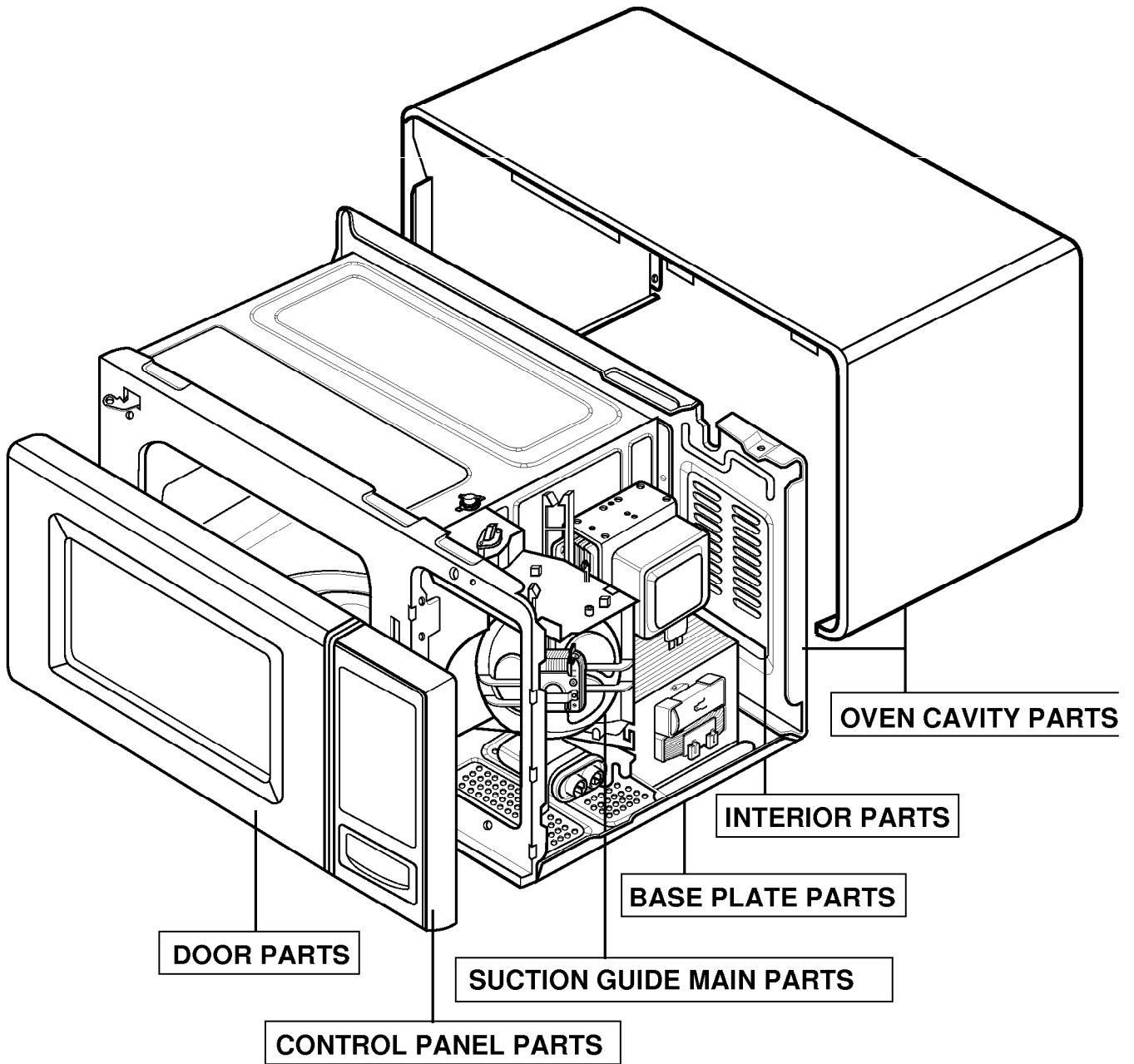


[Find Your Kenmore Microwave Parts - Select From 532 Models](#)

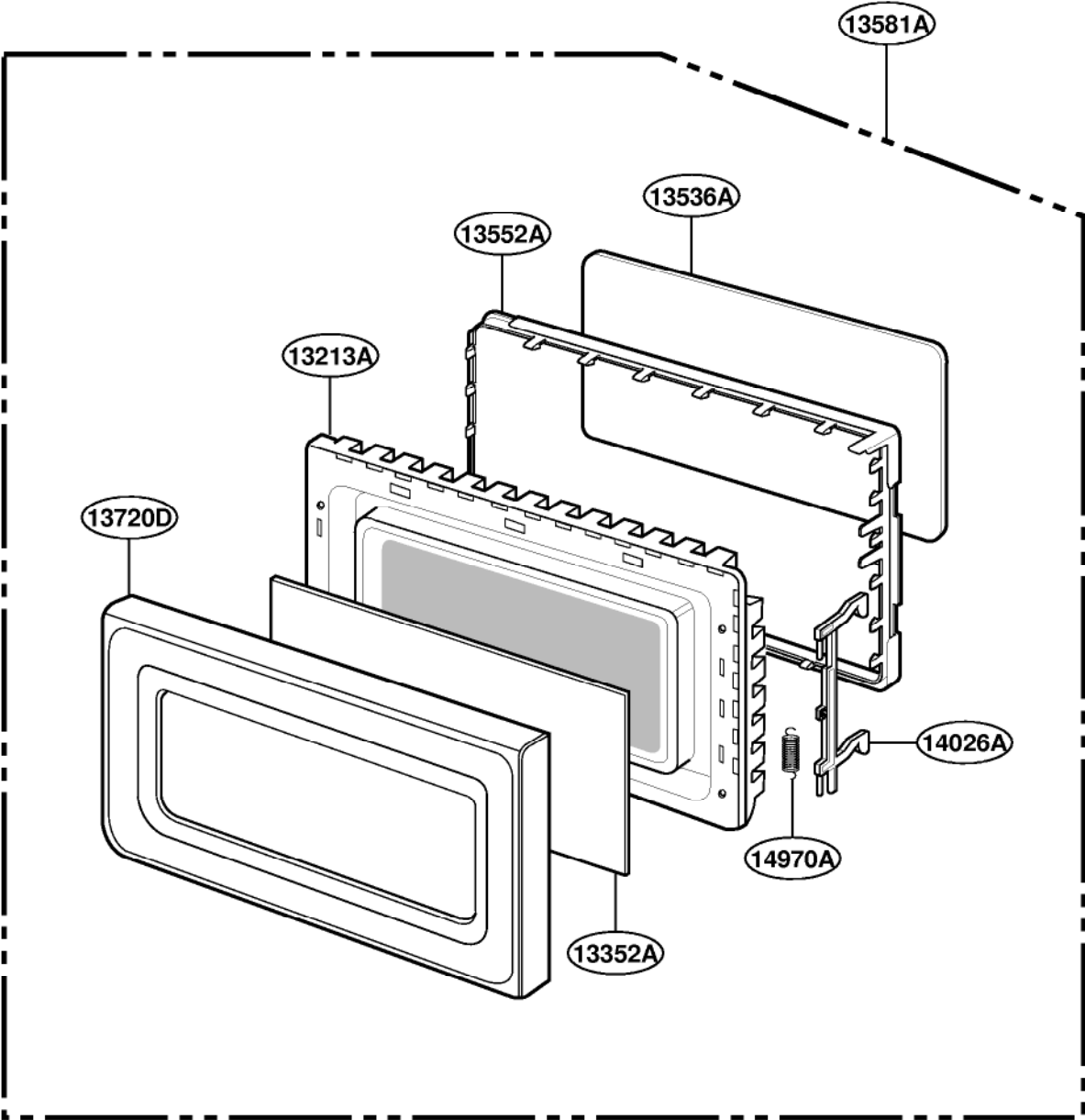
----- Manual continues below -----

EXPLODED VIEW

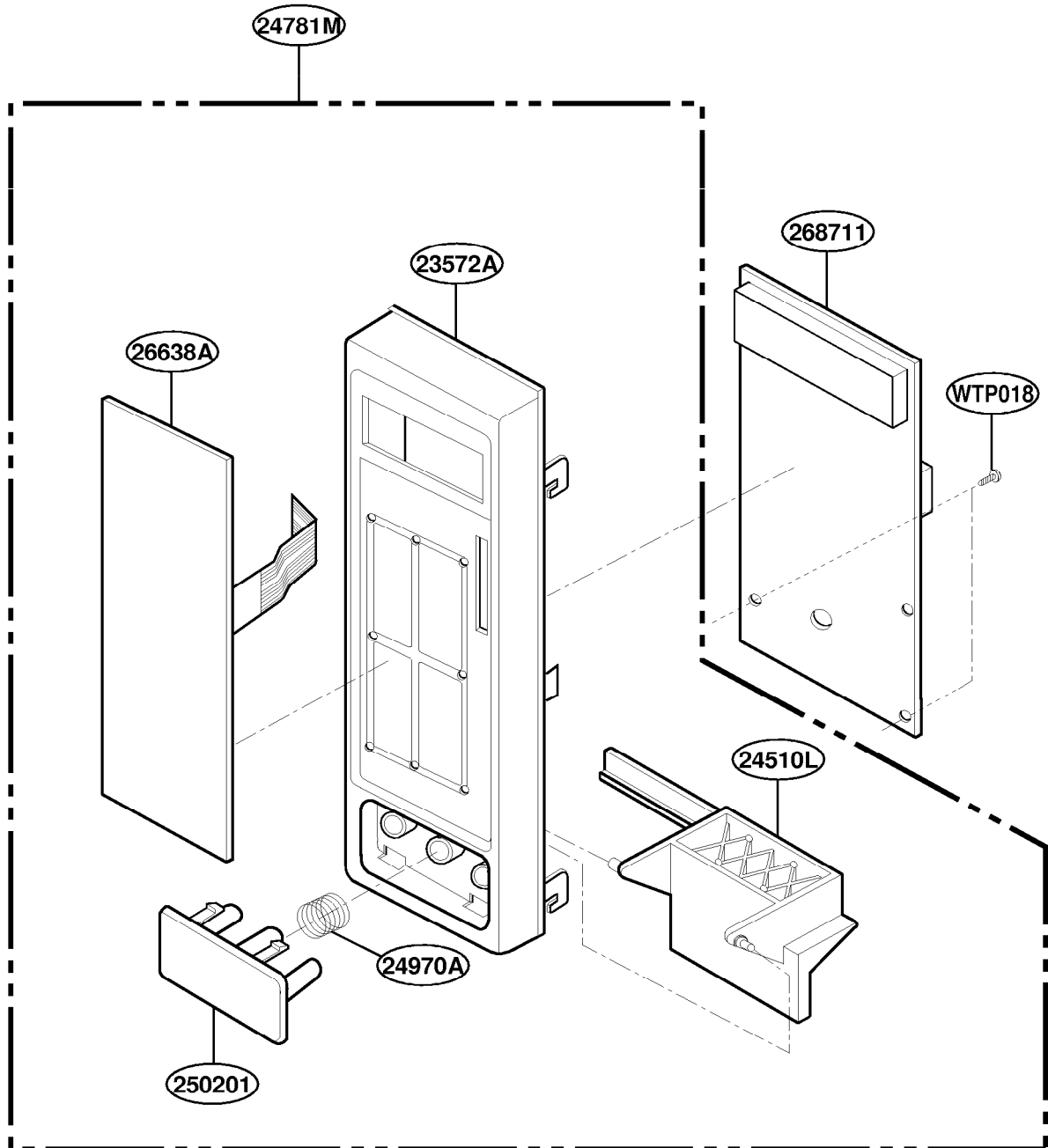
INTRODUCTION



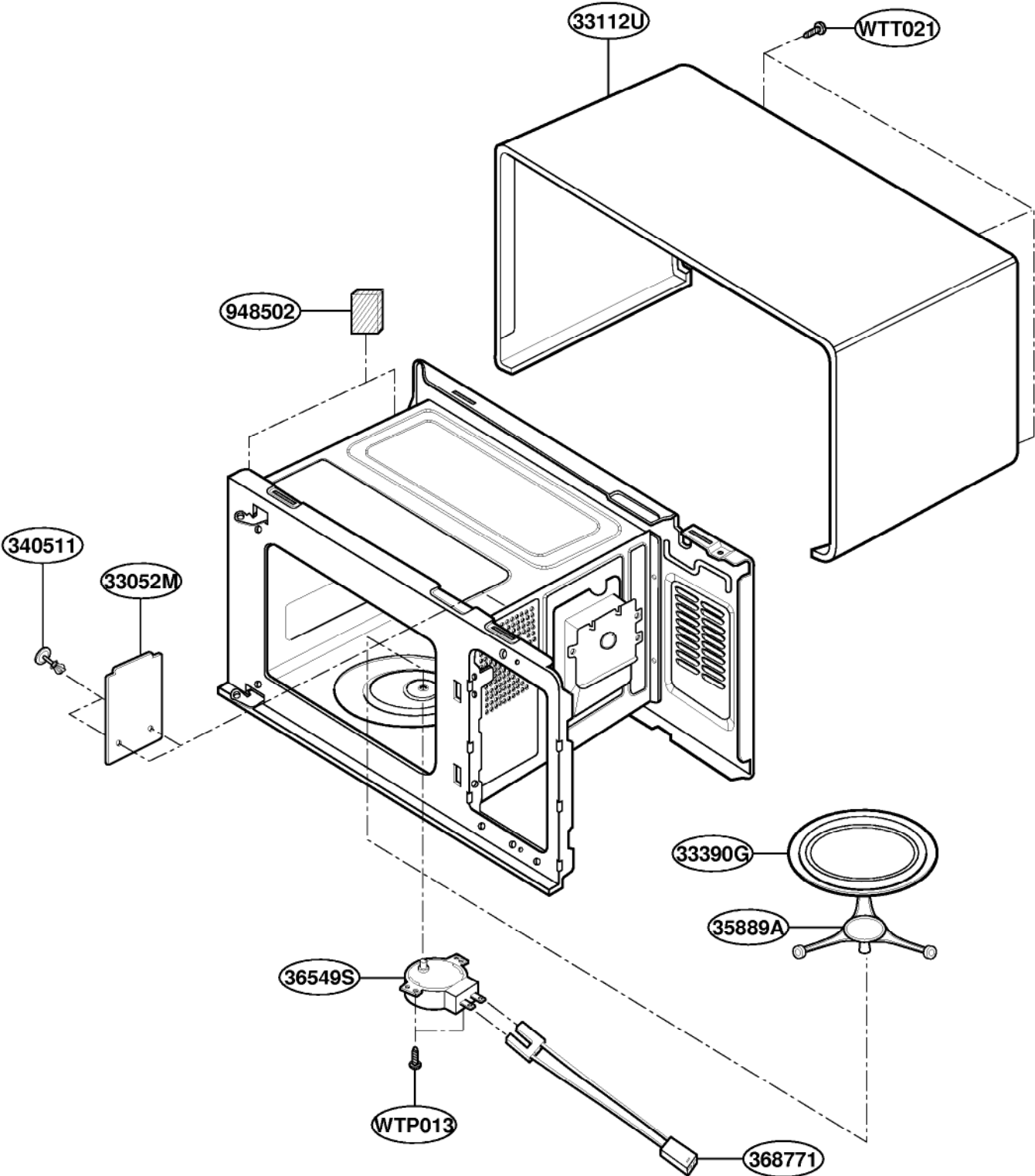
DOOR PARTS



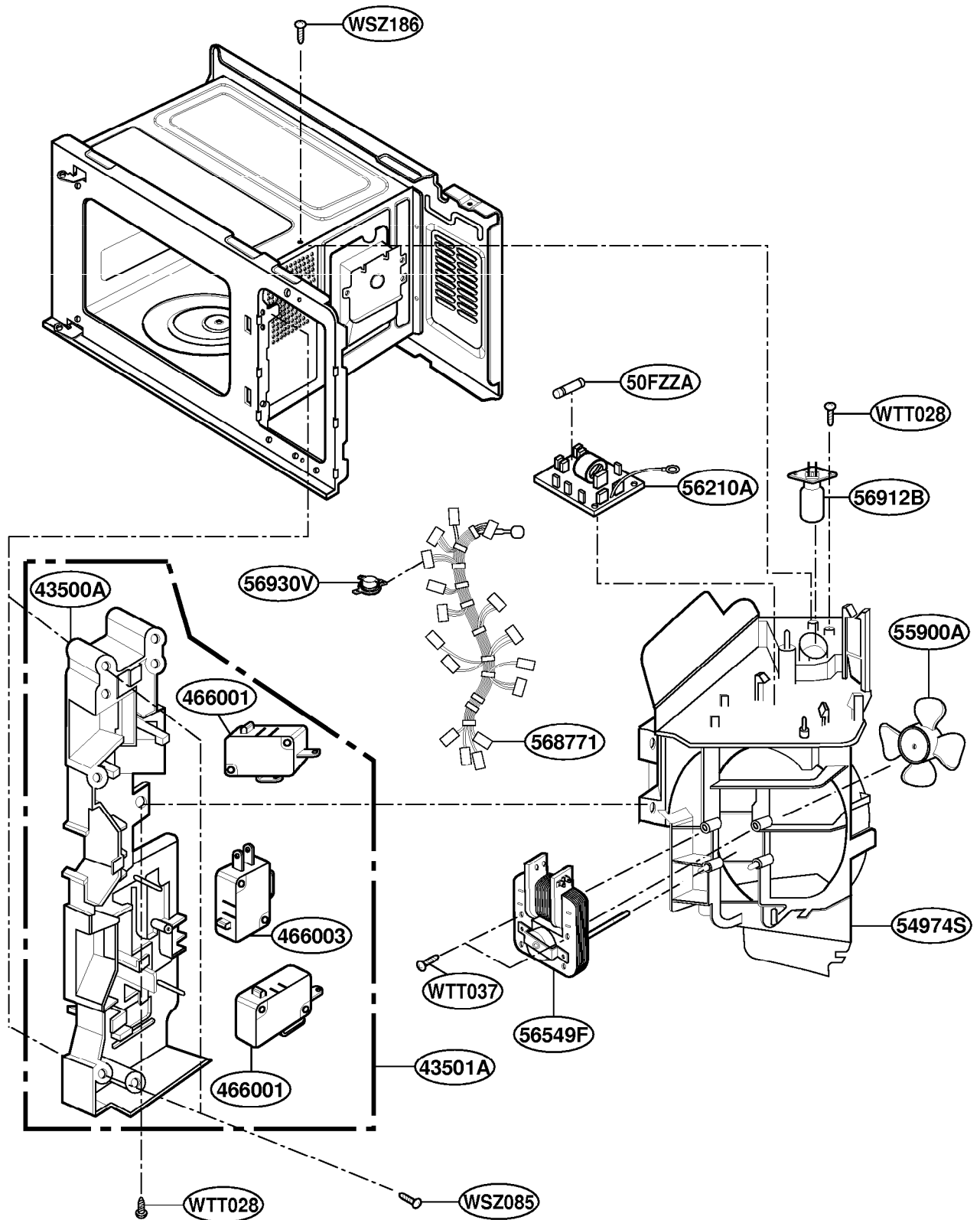
CONTROLLER PARTS



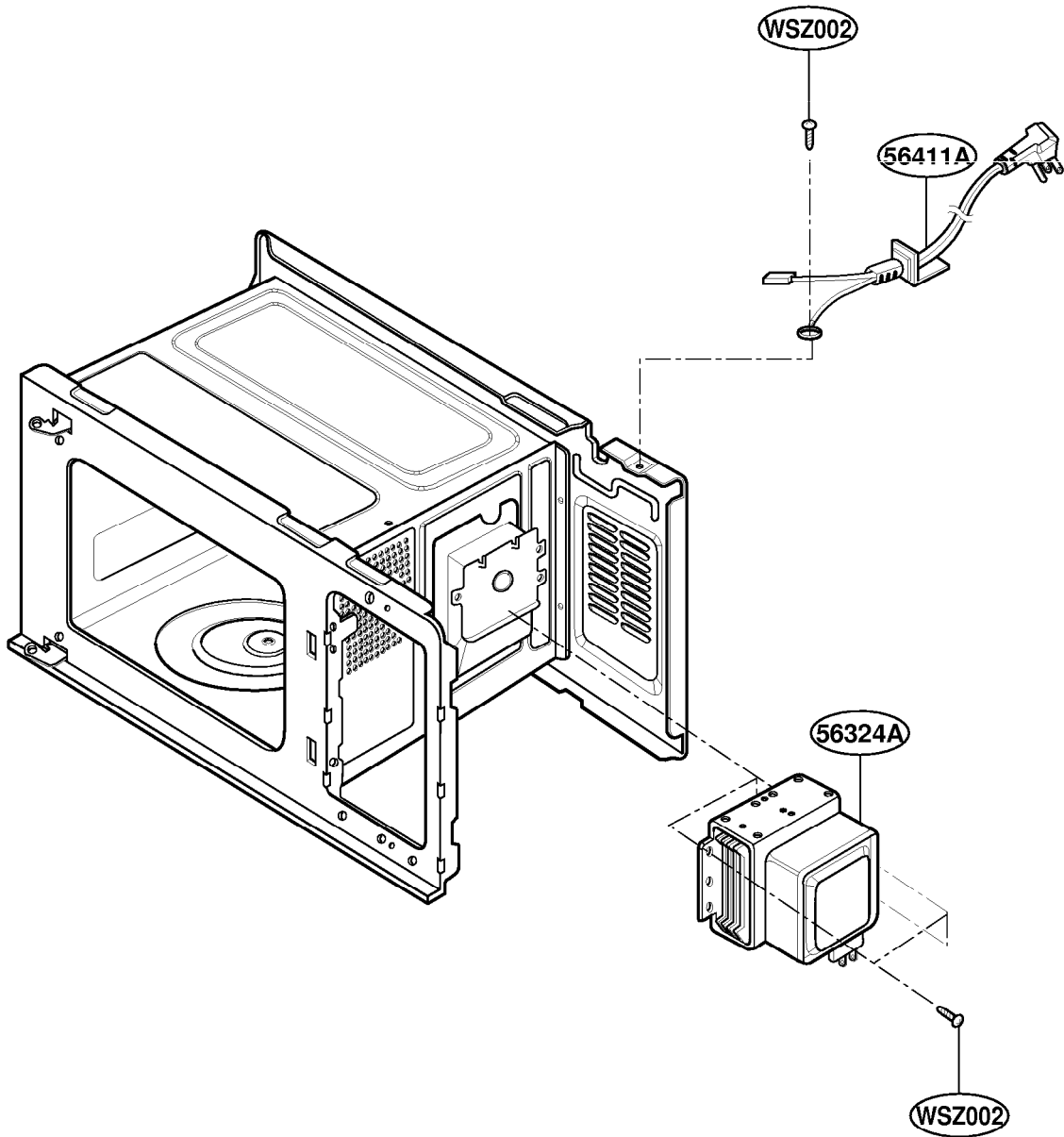
OVEN CAVITY PARTS



SUCTION GUIDE PARTS



INTERIOR PARTS



BASE PLATE PARTS

