

This Owner's Manual is provided and hosted by [Appliance Factory Parts](#).



Four Seasons FS388LP Owner's Manual

[Shop genuine replacement parts for Four Seasons
FS388LP](#)



[Find Your Four Seasons Grill Parts - Select From 5 Models](#)

----- Manual continues below -----



USE AND CARE MANUAL

For Model FS388LP



Stop! Missing a part? DO NOT RETURN PRODUCT TO STORE

The store where you made the purchase does not stock parts for this item. If you need parts, whether they are missing or damaged, please call Customer Service at 1-800-229-5647. Call us between 8:00 AM and 5:00 PM Eastern time, Monday through Friday or email us at saleshelp@sureheat.com

FOR YOUR SAFETY:

1. Read this Manual before attempting to assemble or operate your grill.
2. Follow safety instructions.
3. Check for leaks according to the directions in this Manual before operating your grill, even if purchasing an assembled grill.
4. Keep this Manual for future reference.
5. Contact **1-800-229-5647** should you need assembly assistance or have any questions.

THIS GRILL IS FOR OUTDOOR USE ONLY.

If stored indoors, then detach and leave propane cylinder outside.


General Safety Instructions


IMPORTANT SAFETY INFORMATION



- Read this manual carefully before using your grill to reduce the risk of fire, burn hazard or other injury.
- Extreme care should be used because of the high temperatures produced by this appliance. CHILDREN SHOULD NOT BE LEFT UNATTENDED IN AN AREA WHERE THE GRILL IS BEING OPERATED.
- This appliance must be kept clear from combustible materials, gasoline or other flammable vapors and liquids. Do not allow flammable materials to come in contact with grate, burner or hot surfaces.
- Use only outdoors and provide good ventilation to avoid carbon monoxide build-up which could result in injury or death.
- Do not repair or replace any part of this appliance unless it is specifically recommended in this manual. A qualified service technician should conduct all other service.
- Follow the installation and servicing instructions provided with this product. Have your grill installed by a qualified service technician.
- Locate the main gas supply valve so that you know how to shut the gas off to your grill.
- If you smell gas, make sure all gas connections are tight before operation. If you continue to smell gas call a qualified technician.
- When lighting a burner, always pay close attention to what you are doing and be certain you are pushing the igniter that lights the burner you intend on using.
- Always keep your face and body as far away from the grill as possible when lighting to reduce the risk of burn.
- Extinguish all flames and do not smoke while engaging gas and igniting the grill.
- A minimum distance of at least 24" must be maintained from any combustible material on both sides and the back of the grill. Do not place the grill under any overhead unprotected combustible construction.

RECOGNIZE SAFETY SYMBOLS, WORDS AND LABELS

 **WARNING** WARNING indicates a potentially hazardous situation which, if not avoided, could result in death or serious injury.

 **DANGER** NOTE indicates an important piece of information that needs to be observed to ensure the proper operation of your grill.

 **DANGER**

If you smell gas:

1. Shut off gas to the appliance
2. Extinguish any open flame
3. Open lid
4. If odor continues, keep away from the appliance and immediately call your gas supplier or your fire department.

 **WARNING**

1. Do not store or use gasoline or other flammable liquids or vapors in the vicinity of this or any other appliance.
2. An LP cylinder not connected for use shall not be stored in the vicinity of this or any other appliance.

INSTALLER: Please retain these instructions with the owner so that they may maintain them for future reference.

General Safety Instructions

⚠ WARNING

DO NOT use the rotisserie in the rain.

⚠ WARNING

Electrical Grounding Instructions

This appliance (rotisserie motor) is equipped with a three-prong (grounding) plug for your protection against shock hazard and should be plugged directly into a properly grounded three-prong receptacle. Do not cut or remove the grounding prong from this plug.

⚠ WARNING

Keep any electrical supply cords and the fuel supply hose away from any heated surfaces.

⚠ WARNING

The Spare L.P. Gas Tank Barrier must be installed to prevent storage of spare L.P. Gas Tanks. Failure to comply with these instructions could result in a fire or explosion that could cause serious bodily injury, death, or property damage.

FOR YOUR SAFETY

If you smell gas:

1. Shut off gas to the appliance.
2. Extinguish any open flames.
3. Open grill hood.
4. If odor continues, immediately call your gas supplier and local Fire Dept.

⚠ WARNING

CALIFORNIA PROPOSITION 65 -WARNING: The Burning of gas cooking fuels generates some by products which are on the list of substances which are known by the State of California to cause cancer or reproductive harm. California law requires businesses to warn customers of potential exposure to such substances. To minimize exposure to these substances, always operate this unit according to the use and care manual, provide good ventilation when cooking with gas.

⚠ WARNING

This appliance is not intended to be installed in or on recreational vehicles or boats.

⚠ WARNING

NOTE: DO NOT operate the main burners and infrared back burner at the same time. This can cause warping of the roll top grill hood.

⚠ WARNING

DO NOT use the grill in garages, breezeways, sheds or any enclosed area. Never operate the grill in enclosed areas as this could lead to a carbon monoxide buildup, which could result in injury or death. Place the grill on a level surface. Avoid moving the grill while it is in operation.

⚠ WARNING

Always have a qualified service technician perform difficult conversions or modifications.

⚠ WARNING

Never attach an unregulated gas line to the appliance. Connection to an unregulated gas line can cause excessive heat or fire.

TESTED IN ACCORDANCE WITH ANSI Z21.58b-2006/CSA 1.6b-2006 STANDARD FOR OUTDOOR COOKING GAS APPLIANCES. THIS GRILL IS FOR OUTDOOR USE ONLY.

Installation must conform with local codes, this unit should be installed in accordance with the National Fuel Gas Code No. Z223.1/NFPA 54, National Gas and Propane Installation Code, CSA B149.1 or Propane Storage and Handling Code, B149.2

FOR YOUR SAFETY

DO NOT store or use gasoline or other flammable vapors and liquids in the vicinity of this or any other appliance.

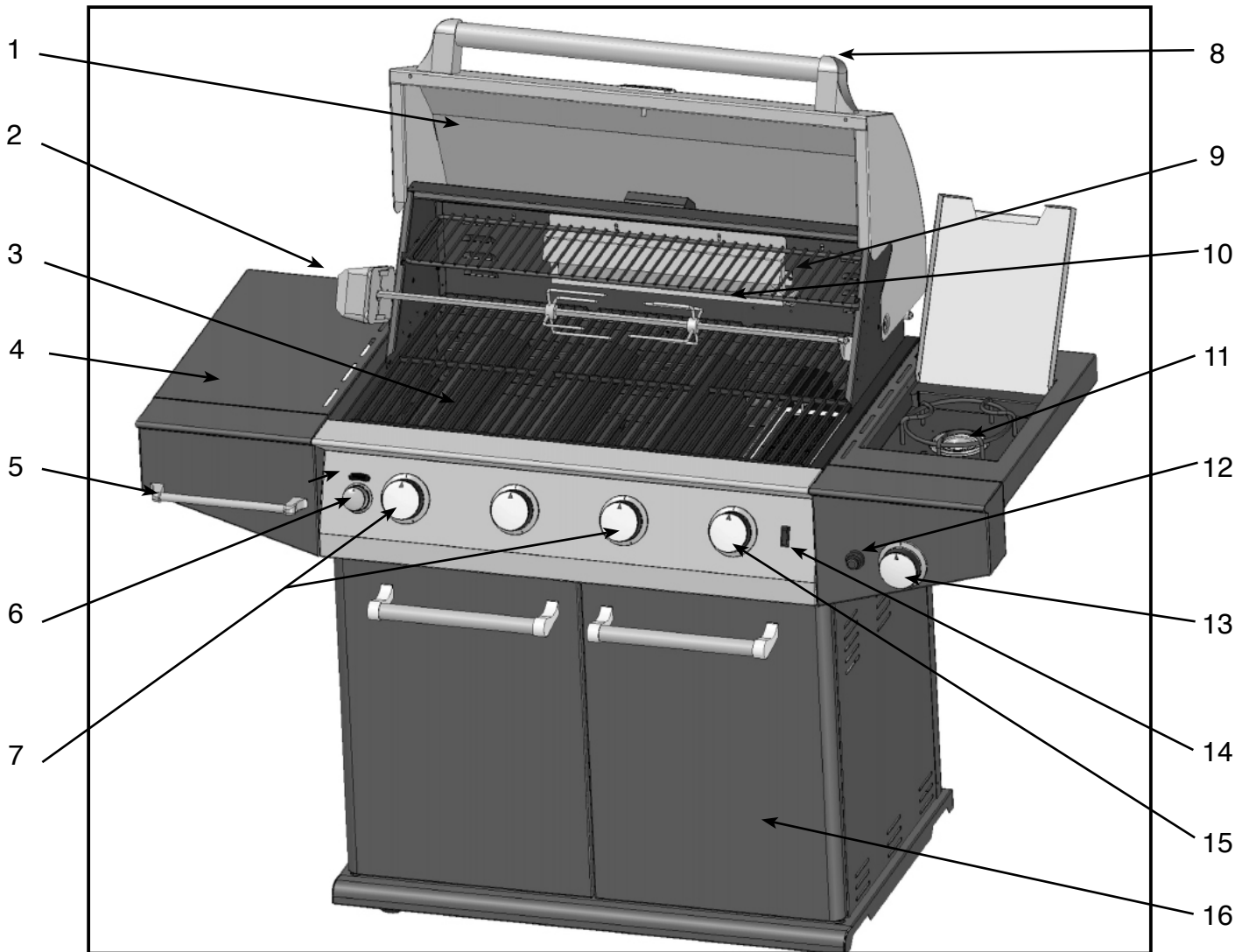
An **LP cylinder** not connected for use shall not be stored in the vicinity of this or any other appliance.

⚠ WARNING

DO NOT try lighting this appliance without reading the “**LIGHTING INSTRUCTIONS**” section of this manual.

FOR OUTDOOR USE ONLY

Grill Features



- | | |
|---------------------------------------|--|
| 1. Roll top grill hood | 10. Rear Infrared burner |
| 2. Rotisserie kit | 11. Side burner |
| 3. Grilling/cooking surface | 12. Electronic igniter: main burners, side burner, rear infrared burner and searing burner |
| 4. Side shelf | 13. Control Knob: Side burner |
| 5. Towel bar | 14. Inside light Switch |
| 6. Control knob: Rear infrared burner | 15. Control Knob: Searing burner |
| 7. Control knobs: Main burners | 16. Cart with doors |
| 8. Hood Handle | |
| 9. Bread warming rack | |

Getting Started



Self-tapping screw x 17



Phillips pan head screw x 2

Getting Started

1. Please follow the steps in the order that they are presented.
2. Assemble the grill where you plan to use it.
3. You may want to place an old towel or cloth at the assembly site to prevent nuts and bolts from becoming lost.
4. Have a friend help. An assistant can make the assembly easier by holding the parts in place while you fasten the nuts and bolts.
5. To be ready to barbecue immediately, have a L.P. gas cylinder filled by an authorized L.P. dealer or cylinder exchange center.

Unpacking the Grill Parts

1. Remove and set aside all inner boxes and parts from the master carton.
2. Remove and set aside all wrapping paper and additional packaging from the parts.
3. Do not destroy carton or packing until your grill is completely assembled and operating to your satisfaction.

Tools needed to assemble grill:

Phillips screwdriver
Adjustable wrench
1/2" wrench or socket
1/4" nut driver or socket

TOOLS NOT INCLUDED

WARNING

Failure to follow all Danger, Warnings, and For Your Safety notices in this Grill Guide may result in serious bodily injury or death, fire or an explosion causing damage to property.

DANGER

Perform a Gas Leak Test explained later in this Grill Guide before operating your grill.

Grill Assembly

STEP ONE

- a. Remove the four (4) wheel channel assembly nuts and two (2) bolts from the wheel channel assemblies.

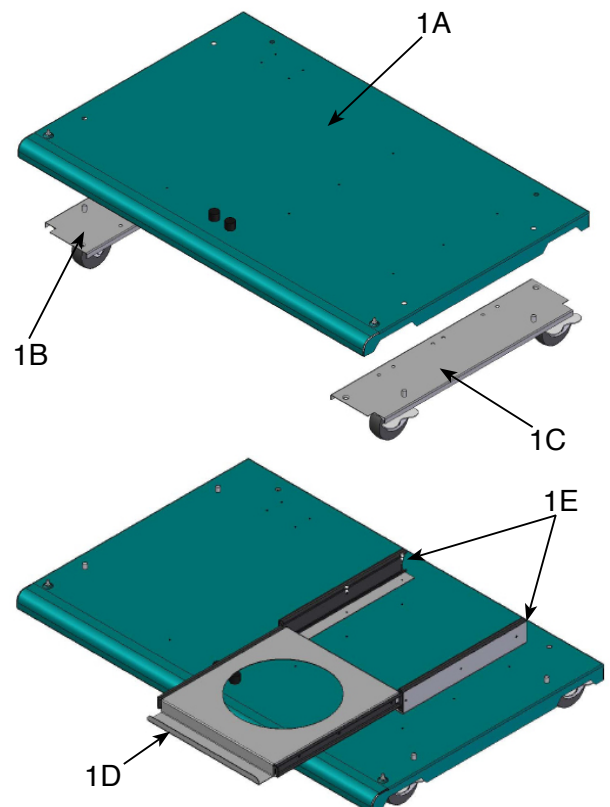
Note: The bolts are hand tightened to the wheel channels.

- b. Set the Cart Base (1A) on the floor and then lay the Wheel Channel left (1B) on the left side and the Wheel Channel Right (1C) on the right side of the cart base. The rubber door stops should be facing the front.

- c. Pick up the left side of the cart base and set the caster assembly left in place by inserting the attached bolts through the two (2) holes in the cart base.

- d. Pick up the right side of the cart base and set the caster assembly right in place by inserting the attached bolts through the two (2) holes in the cart base.

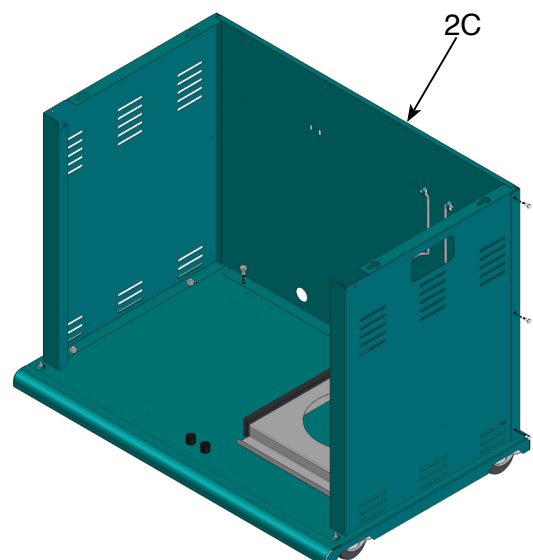
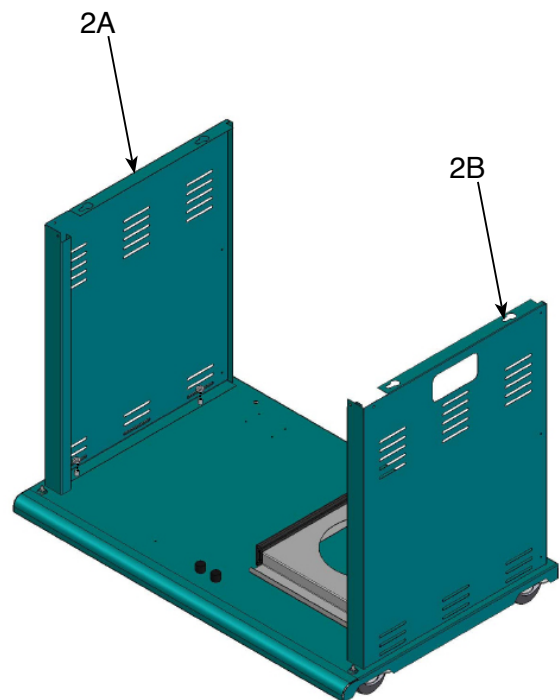
- e. Pull the Tank Tray (1D) out of the Slide Rail Brackets (1E), then place it on the Cart Base, the handle of the tray facing Front. Attach three (3) self-tapping screws through the pre-drilled holes on the Left Bracket into the Cart Base. Repeat on the Right Bracket. Then Slide the tray back into the Bracket.



Grill Assembly

STEP TWO

- a. Place the Cart Side Left (2A) onto the two (2) wheel channel assembly bolts, make sure the large flange is toward the front of the cart base
- b. Secure the cart side left in place by hand tightening the wheel channel assembly nuts onto the wheel channel assembly bolts.
- c. Repeat to install the Cart Side Right (2B).
- d. Place the Cart Back (2C) onto the grill cart base.
- e. Then place two bolts through the holes on the bracket and cart base, then tighten the holes to the thread hole on the cart base.
- Note: Make sure that the cart back flanges cover the cart sides.**
- f. Attach three (3) self-tapping screws through the holes on the cart side left into the cart back. Repeat on cart side right.
- g. Tighten all four (4) wheel channel assembly nuts and two (2) bolts with a wrench.



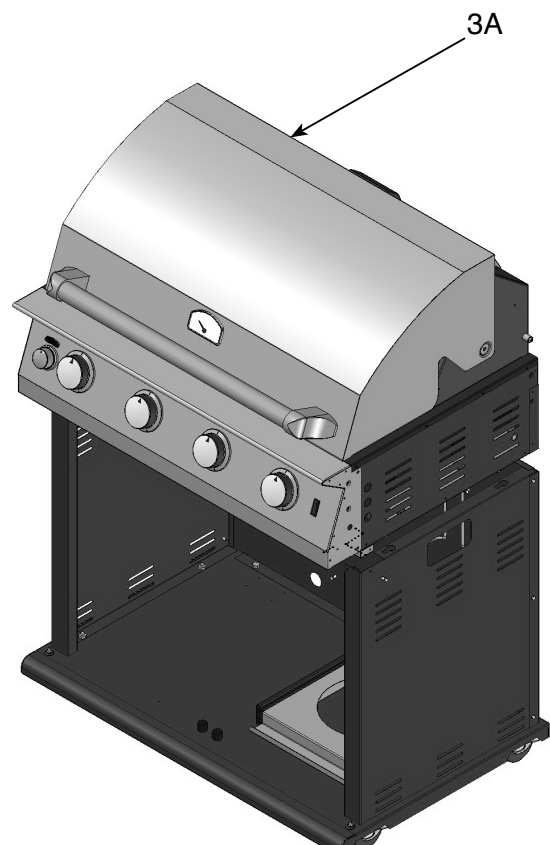
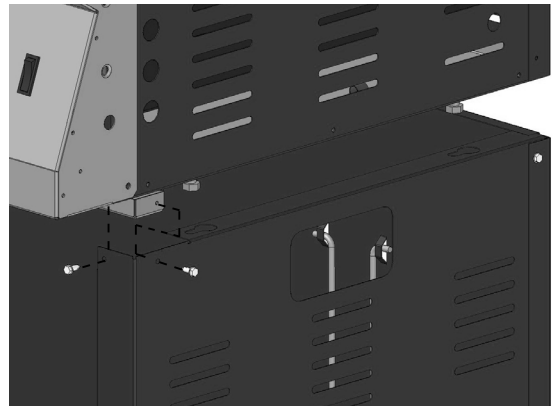
Grill Assembly

STEP THREE

- a. Remove parts from inside grill hood and remove the power transformer package from the grill back, then tilt the Grill Head Assembly (3A) onto it's back.

WARNING: Keep hands and fingers away from grill hood when moving Grill Head Assembly. Grill hood is loose and will open and close when moving into place.

- b. Loosen the four (4) grill mounting bolts so that there is approximately 1/4" between the bolt head and grill bottom.
- c. Have someone help you pick up the grill head, place the transformer into the cart put it on the cart base, then set it squarely on top of the cart.
- d. Make sure the four (4) bolts fall through the large opening in the "key hole" slots in the cart sides.
- e. Slide the grill forward in the "key hole" slots until the back of the grill head matches the cart back. Check on the inside of the cart to make sure that both sides of the grill are flush with the cart.
- f. Install four (4) self-tapping screws into the top front and right cart flanges.
- g. Tighten the four (4) grill head mounting bolts underneath the grill to secure the grill to the cart.



Grill Assembly

STEP FOUR

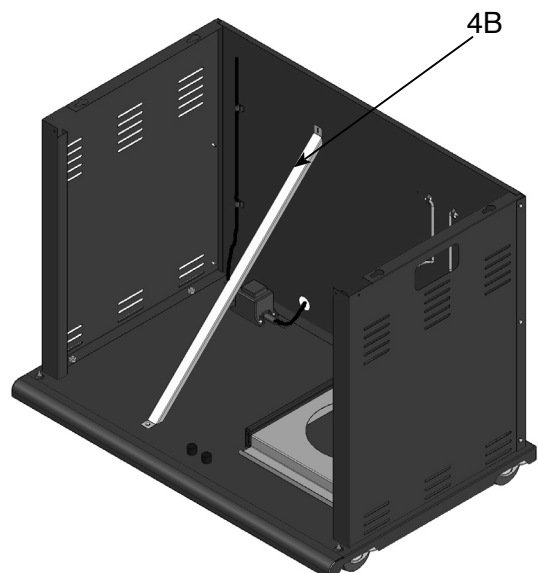
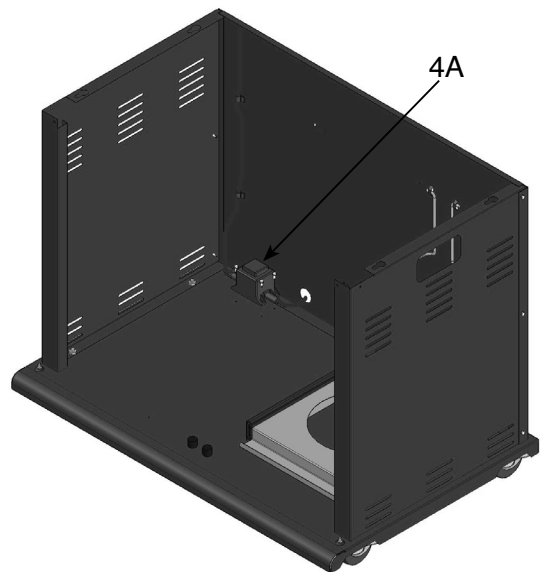
- a. Secure the Power Transformer (4A) wire on the cart back with two pre-installed wire clips.
- b. Use four (4) self-tapping screws to secure the transformer on the cart base.

Note: Slide the outlet plug out from the bottom hole on the cart back.

- c. Attach one end of the Spare L.P. Gas Tank Barrier (4B) to the cart back with a M5 screw and M5 nut, then attach the flat end of the barrier to the pre-drilled hole in the cart base with a self-tapping screw.



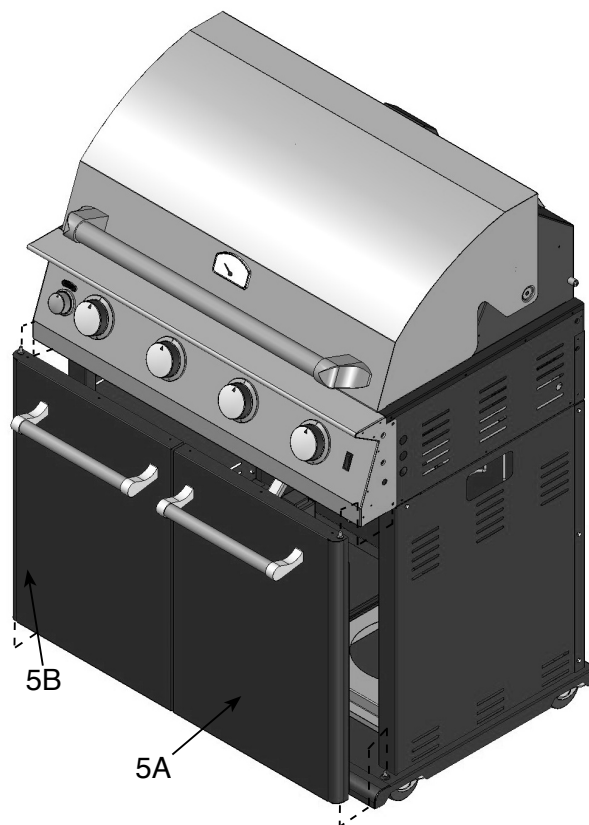
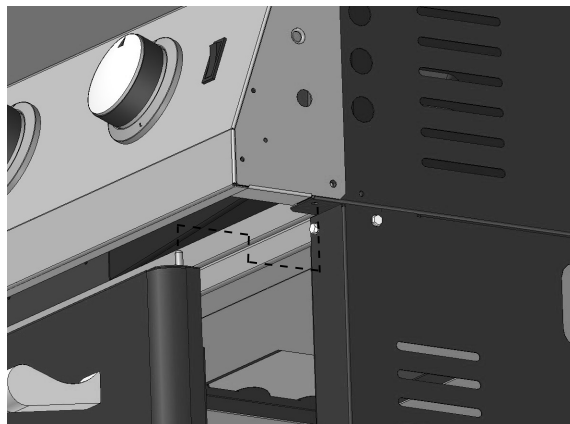
⚠ WARNING The Spare L.P. Gas Tank Barrier must be installed to prevent storage of spare L.P. Gas Tanks. Failure to comply with these instructions could result in a fire or explosion that could cause serious bodily injury, death, or property damage.



Grill Assembly

STEP FIVE

- a. Place Cart Door Right (5A) on an angle over the right side door pivot.
- b. Tilt the top of the door toward the grill, while depressing the top door pivot pin above the door edge.
- c. Move the door slightly until the pin locks into place in the hole on bottom of the front face.
- d. Repeat steps a - c for Cart Door Left (5B) installation.



Grill Assembly

STEP SIX

a. Lay the Side Shelf Left Assembly (6A) on its side. Use one (1) supplied phillips pan head screw to attach one of the Handle Ends (6B) to the front of the shelf.

Note: Be careful not to scratch the side of the shelf.

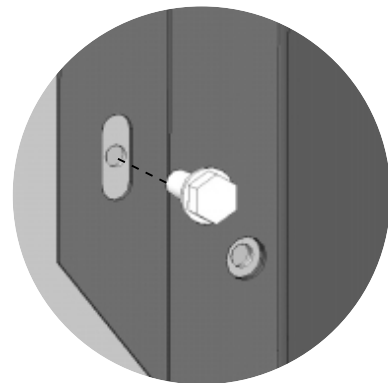
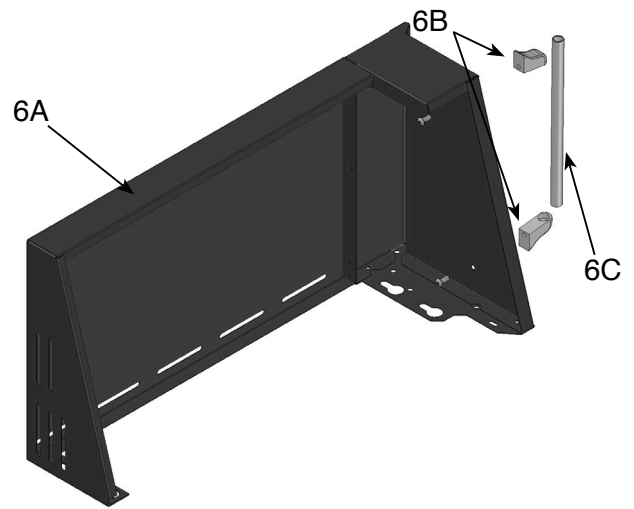
b. Slide one end of the Handle Bar (6C) into the installed handle end. Attach the second handle end using the supplied phillips head screw while holding the assembly in place.

c. Loosen the four (4) 5/16-24 Hex Head screws on the left side of the grill as shown.

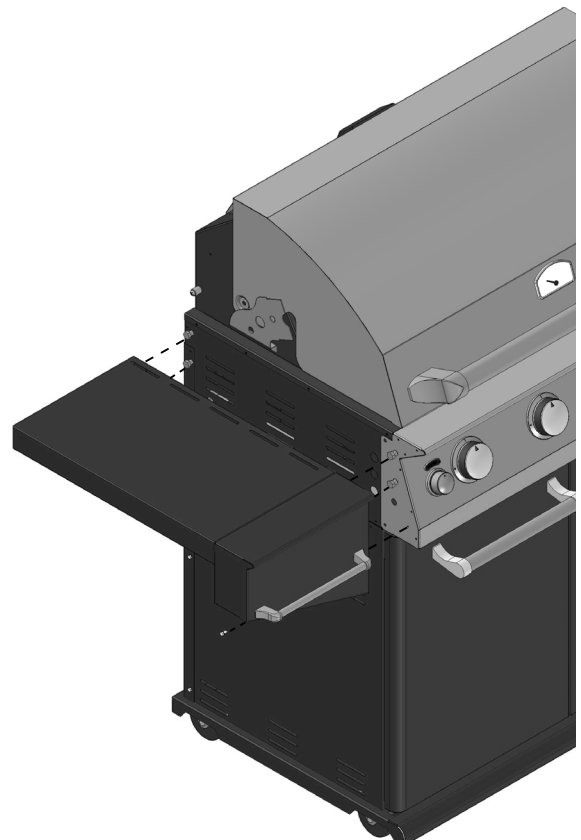
d. Attach the left shelf by inserting the four screws on the side of the grill head into the holes on the left shelf.

e. Tighten the screws with a wrench.

f. Install one self-tapping screw into the bottom front slotted hole of the shelf. This will permanently lock the shelf in place.



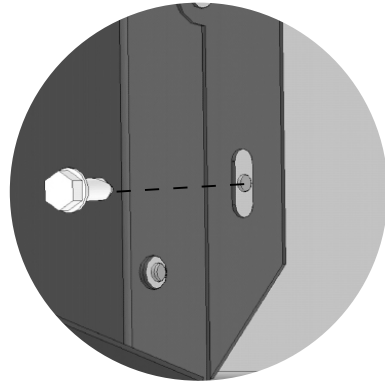
Close view for Step 6f



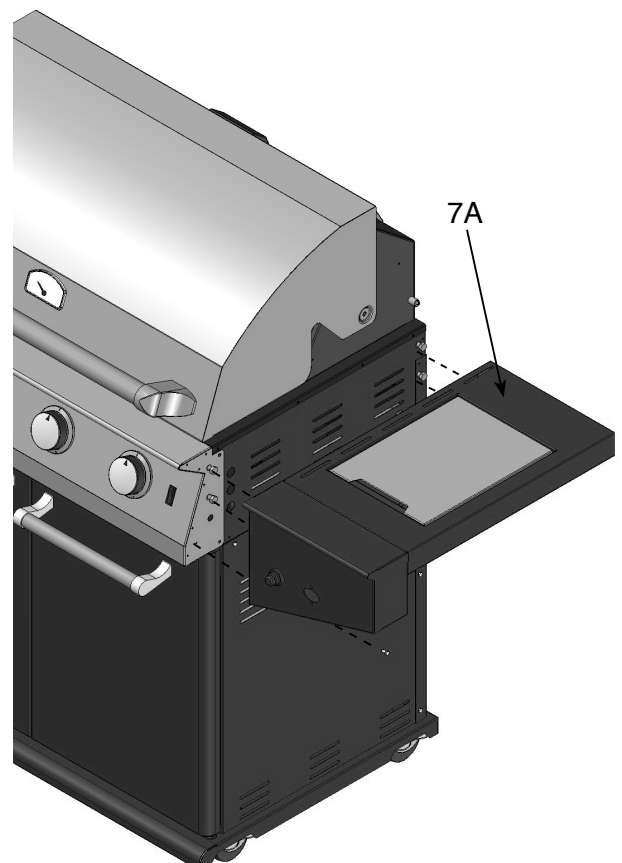
Grill Assembly

STEP SEVEN

- a. On the inside bottom of the side burner assembly you will find the brass burner cap attached with tape. Remove and set aside.
- b. Feed the side burner gas supply hose assembly through the large square hole in the side of the cart.
- c. Loosen the four (4) 5/16-24 Hex Head Screws on the right side of the grill.
- d. Attach the Right Side Burner Shelf (7A) by inserting the four (4) screws on the side of the grill head into the holes on the right shelf.
- e. Tighten the screws with wrench.
- f. Install one self-tapping screw into the bottom front slotted hole of the shelf. This will permanently lock the shelf in place.



Close view for Step 7f



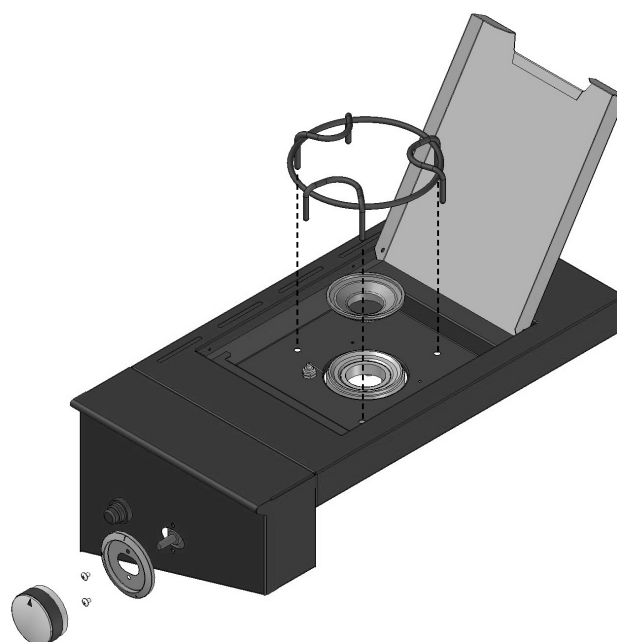
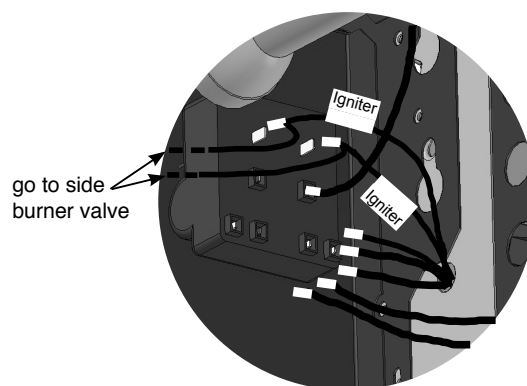
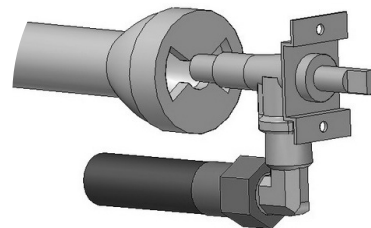
Grill Assembly

STEP EIGHT

- a. Remove two screws from the side burner valve assembly.
- b. Carefully insert the valve assembly into the cast side burner. You will need to angle the tube into the burner assembly. Make certain that the hose is pointing down when the valve is put in place. Then push the valve stem out through the opening in the front of the side burner shelf assembly, lining up the holes on the valve assembly with the holes on the side burner shelf.
- c. Place bezel into place, with the "OFF" position pointing up, making sure to line up holes.
- d. Attach bezel & valve to side burner shelf with screws removed in step 8a.
- e. Press knob onto valve stem assembly.
- f. Unscrew the black plastic cap from the igniter module on the side burner front face.
- g. Install AA battery, negative end in first.
- h. Install the black cap and tighten securely.
 - i. Connect the two thinner wires labeled "igniter" fed through the front hole on the side of the grill head to the two external terminal tabs, connect the other two final terminals to the side burner valve.
- j. Insert the other five igniter wires (two from the rear hole and three from the front hole) fed through the hole on side of grill head into the remaining five holes.

Note: The side burner igniter wire is pre-assembled on one of the tabs.

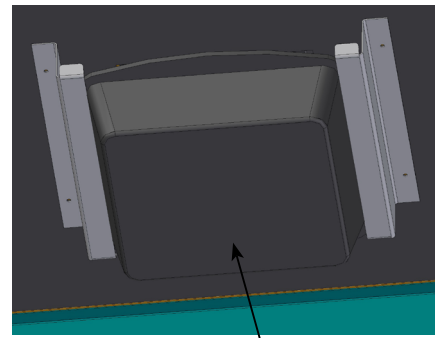
Note: The igniter is designed in such a way that it does not matter which terminal tab is used when connecting igniter wires.
- k. Center the brass burner cap on top of the side burner head.
- l. Place the side burner grate on to the side burner tray. Make sure that the three larger legs rest into the holes in the side burner tray.



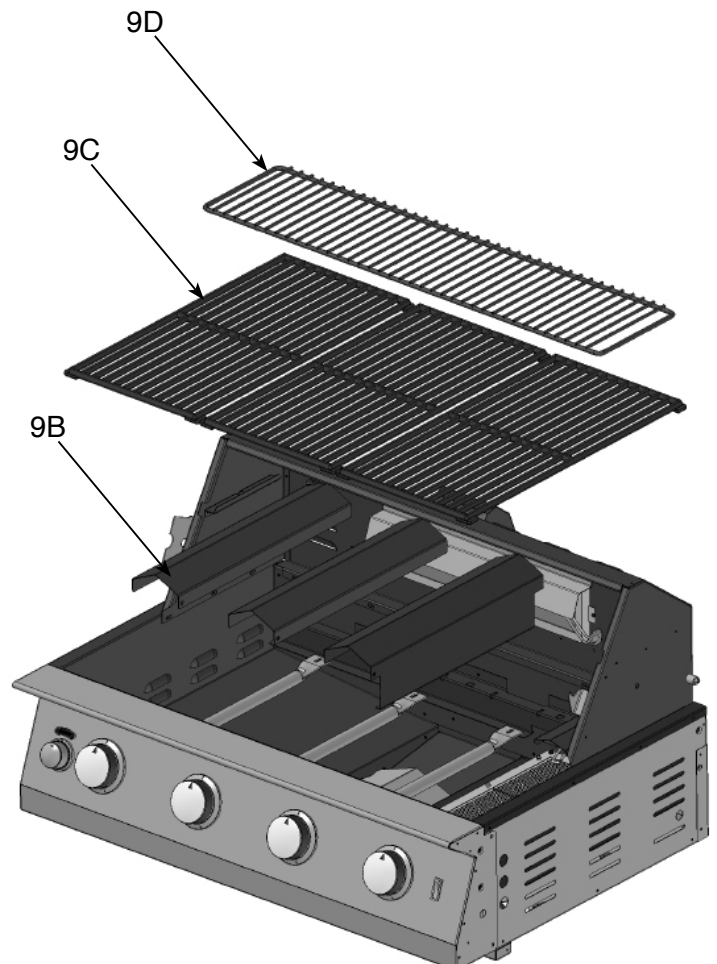
Grill Assembly

STEP NINE

- a. Place the Drip Pan (9A) on the drip pan guides underneath the grill head.
- b. Insert the Flavor Grids (9B) into the cut outs with triangle ridges facing up. Make sure the flavor grid with the long side is installed next to the bottom IR burner.
- c. Install Main Cooking Grates (9C) on the ledges provided on the grill to create your cooking surface.
- d. Slide the Bread Warming Grate (9D) through the cutouts on the hood support sides and rest it on the brackets.



The finished grill should look like the figure on the cover of this Use and Care Manual. Clean the outside of the grill using only a soft cloth and non-abrasive soap and water or approved stainless steel cleaner.



Gas Requirements

GENERAL INFORMATION

 **WARNING** Never attach an unregulated gas line to the appliance. Connection to an unregulated gas line can cause excessive heat or fire.

Verify the type of gas supply to be used, either Natural Gas (N.G.) or Liquid Propane (L.P.), and make sure the serial plate agrees with that of the supply. Conversion kits are available separately for an additional cost which will enable you to convert your grill from L.P. to N.G. or to convert your grill from N.G. to L.P. Please see your local dealer for more information.

 **WARNING** Always have a qualified service technician perform difficult conversions or modifications.

For natural gas installations, an installer must supply a gas shutoff valve that is easily accessible to the grill. All installer supplied parts must conform to local codes, or in the absence of local codes, with the National Electrical Code, ANSI/NFPA 70- 2002, and the National Fuel Gas Code, NFPA 54-2002/ANSI Z223.1-2002.

All pipe sealants must be an approved type and resistant to the actions of L.P. gases. Never use pipe sealant on flare fittings. All gas connections should be made by a competent qualified service technician and in accordance with local codes and ordinances. In the absence of local codes, the installation must comply with the National Fuel Gas Code, NFPA 54-2002/ANSI Z223.1-2002. Gas conversions kits may be purchased separately. When ordering gas conversion kits, have the model number, and the type of gas (N.G. or L.P.) used for your grill.

This grill and its individual shut off valve must be disconnected from the gas supply piping system during any pressure testing of that system at test pressures in excess of 1/2 PSIG (3.5 kPa.).

This grill must be isolated from the gas supply piping system by closing its individual manual shut-off valve during any pressure testing of the gas supply piping system at test pressures equal to or less than 1/2 PSIG (3.5 kPa.).

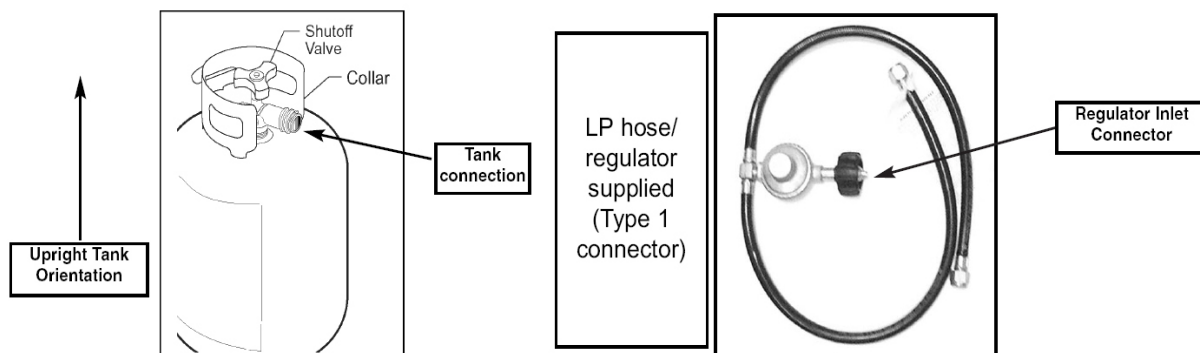
The installation of this grill must conform with local codes, or in the absence of local codes, with National Fuel Code, NFPA 54-2002/ANSI Z223.1a-2002.

Installation in Canada must be in accordance with the Standard CSA B149.1 or B149.2 (installation code for gas burning appliances and equipment) and local codes.

Gas Requirements

L.P. GAS INSTALLATION

Four Seasons™ Gas Grills that are set to operate with L.P. gas come with a high capacity hose and regulator assembly. **(Note: Only use the pressure regulator and hose assembly supplied with the grill or a replacement pressure regulator and hose assemblies specified by Four Seasons™).** This assembly is designed to connect directly to a standard 20 lb. L.P. cylinder. L.P. Cylinders are not included with the grill. L.P. Cylinders they can be purchased separately at an independent dealer.



L.P. TANK INFORMATION

Never use a dented or rusted L.P. tank or cylinder with a damaged valve.

L.P. cylinders are equipped with an O.P.D (Overfilling Prevention Device). The device shuts off the flow of gas to a cylinder after 80% capacity is reached. This limits the potential for release of gas when the cylinder is heated, averting a fire or possible injury.

The L.P. cylinder must have a shut-off valve terminating in an L.P. gas supply cylinder outlet specified, as applicable, for connection No. 510 in the standard for compressed gas cylinder valve outlet and inlet connection ANSI/CGA-V-1. Cylinders must not be stored in a building, garage, or any other enclosed area. (The L.P. cylinder must have an overfill protection device, OPD, and a collar to protect the cylinder valve.)

The L.P. gas supply cylinder must be constructed and marked in accordance with the specifications for L.P. gas cylinders of the U.S. Department of Transportation (DOT) or the National Standard of Canada, CAN/CAS-B339, "Cylinders, Spheres and Tubes for the Transportation of Dangerous Goods and Commission."

L.P. TANK USE

- **When turning the L.P. tank on, make sure to open the valve SLOWLY two (2) complete turns to insure proper gas flow. Most gas tanks now come equipped with a leak detector mechanism internal to the tank, when gas is allowed to escape rapidly it shuts off the gas supply. Opening the valve rapidly may simulate a gas leak, causing the safety device to activate, restricting gas flow causing low flames. Opening the valve slowly will insure this safety feature is not falsely triggered.**
- When not in use, gas supply cylinder valve is to be in the "OFF" position.
- The tank supply system must be stored upright to allow for vapor withdrawal.
- The regulator and hose assembly must be inspected before each use of the grill. If there is excessive abrasion or wear or if the hose is cut, it must be replaced prior to the grill being used again.
- Cylinders must be stored outdoors out of the reach of children and must not be stored in a building, garage or any other enclosed area.
- Only a qualified gas supplier should refill the L.P. tank.
- Place dust cap on cylinder valve outlet whenever the cylinder is not in use. Only install the type of dust cap on the cylinder valve outlet that is provided with the cylinder valve. Other types of caps or plugs may result in leakage of propane.

⚠ WARNING

DO NOT store a spare L.P. gas cylinder under or near the grill. Never fill the cylinder beyond 80% full.

If this information is not followed exactly, a fire causing death or serious injury may occur.

Pre Operation Leak Testing

GENERAL INFORMATION

Although all gas connections on the grill are leak tested prior to shipment, a complete gas tightness check must be performed at the installation site due to possible shifting during shipment, installation or excessive pressure unknowingly being applied to the unit. Periodically check the whole system for leaks and immediately check the system if the smell of gas is detected.

BEFORE TESTING

1. Do not smoke while leak testing.
2. Extinguish all open flames.
3. Never leak test with an open flame.
4. Mix a solution of equal parts mild detergent or liquid soap and water.

TESTING

1. Turn off the burner control knobs.
2. Turn the top knob of the fuel supply cylinder counter-clockwise (right to left) two (2) rotations to open.
3. Apply the soap solution to connections of the fuel supply assembly. If no soap bubbles appear, there is no gas leak. If bubbles form at the connections, a leak is detected. If a leak is detected, immediately turn off the gas supply, tighten any leaking fittings, turn gas on, and repeat steps 1-3.
4. Turn off the knob on the fuel supply cylinder.
5. Turn on the burner control knobs for a moment to release the pressure in the hose, then turn the control knobs back off.
6. Wash off soapy solution with cold water and towel dry.

Check all gas supply fittings before each use and each time the gas supply cylinder is connected to the regulator. Have a qualified service technician leak test the grill any time a part of the gas system is replaced.

Also it is recommended to perform a leak test at least once a year whether or not the L.P. gas supply cylinder has been disconnected.

WARNING

When leak testing this appliance, make sure to test and tighten all loose connections, including the side burner. A slight leak in the system can result in a low flame, or hazardous condition. Most L.P. gas tanks now come equipped with a leak detector mechanism internal to the tank, when gas is allowed to escape rapidly, it shuts off the gas supply. A leak may significantly reduce the gas flow making the grill difficult to light or causing low flames.

WARNING

If you cannot stop a gas leak turn off the gas supply and call your local gas or the dealer you purchased the appliance from. If necessary, replace the faulty part with the manufacturer's recommended replacement part. A slight leak could cause a fire.

Lighting the Grill

Do not attempt to "Light" the grill if the odor of gas present!!

BEFORE LIGHTING

⚠ WARNING Important! Before Lighting:

- Check the gas supply line for cuts, wear or abrasion.
- Always keep your face and body as far away from the grill as possible when lighting.

GRILL BURNER LIGHTING

Lighting the Grill with electronic igniter

1. Make sure all control knobs are in the "OFF" position.
2. Open the gas supply valve located on top of your L.P. tank.

ATTENTION: When turning the L.P. tank on, make sure to open the valve very **SLOWLY** two (2) complete turns to insure proper gas flow.

3. Always open the hood before attempting to light.
4. Push and turn one of the control knobs counter-clockwise to the "HIGH" position. Continue push the knob. You will hear a snapping sound. It may be necessary to hold the knob for about 4 seconds. (See Fig. 20)

NOTE: If the burner does not light in 4 seconds, turn the knob to the "OFF" position and wait 5 minutes before trying again.

5. Repeat above steps to light remaining burners.

Match Lighting

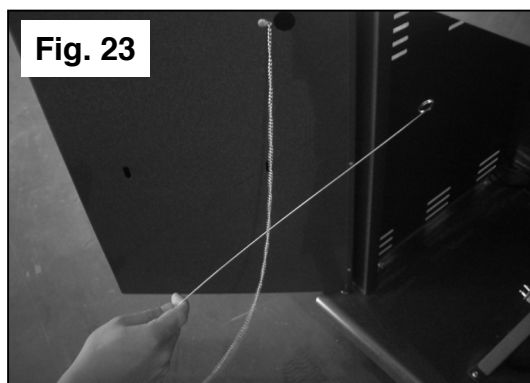
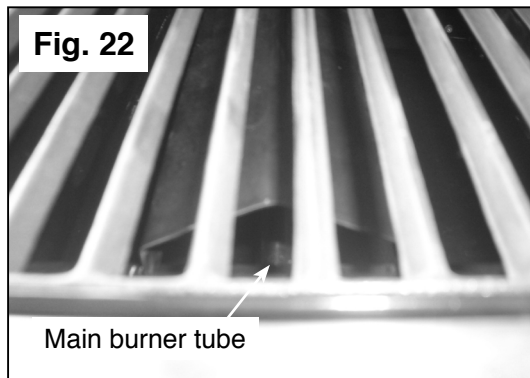
If by chance the electronic igniter does not light the burner, the burner may be lit with a match attached to the match extender, located on the inside of the cart door.

Keep your face as far away from the grill surface as possible and pass the match extender through the spaces in the grill grates to the ports of the burner between the flavor grids. Position the match near the burner ports and push and turn the control knob counter-clockwise to the "HIGH" position. (See Fig. 21-22)

The match extender can be stored inside the cart door by sliding the extender ring through the opening on the inside, back of the cart door. (See Fig. 23)

NOTE:

If the grill will not light after several attempts see the trouble-shooting section of this manual. Turn the control knobs to the OFF position when not in use.



Using the Grill and Side Burner

GRILL LOCATION

⚠ WARNING Do not use the grill in garages, breezeways, sheds or any enclosed area. Never operate the grill in enclosed areas as this could lead to a carbon monoxide buildup, which could result in injury or death. Place the grill on a level surface. Avoid moving the grill while it is in operation.

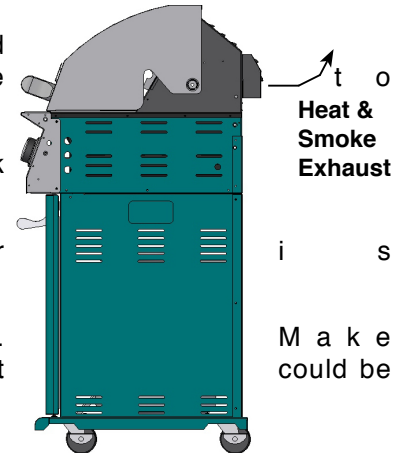
NOTE: The grill will operate best if it is not facing directly into the wind.

Clearance to combustible construction - A minimum of 24" from the sides and back must be maintained from the gas grill above and below the cooking surface adjacent vertical combustible construction.

Clearance to non-combustible construction - A minimum of 10" clearance from the back of the grill to non-combustible construction is required for the lid to fully open.

Storage of an outdoor gas cooking appliance indoor is permissible only if the cylinder disconnected and removed from the appliance.

⚠ WARNING Heat and smoke exhaust out of the back of the grill hood opening. Be sure not to have the grill back facing your home or anything that could be damaged by heat or smoke.



GENERAL RULES

Do not leave the grill unattended while cooking!

1. Make sure the grill has been leak tested and is properly located.
2. Light the grill burners using the instructions provided in this manual.
3. Turn the control knobs to desired temperature "High, Medium, or Low" and preheat the grill for 10 minutes before cooking.
4. Adjust heat settings to meet your cooking needs for desired results.
5. Allow grill to cool down, wipe off any splatters or grease and clean the drip tray as needed.
6. Do not put a cover on the grill while it is still hot as it could start a fire.



Keep any electrical supply cords and the fuel supply away from any heated surfaces.

SIDE BURNER LIGHTING

Push and turn the control knob to the "HIGH" position. Continue push the knob. You'll hear a snapping sound. It may be necessary to hold the knob for about 4 seconds. If the burner does not light in 4 seconds, turn the knob to the "OFF" position and wait 5 minutes before trying again. (See Fig. 24)

MATCH LIGHTING

If by chance the electronic igniter does not light the burner, the burner may be lit with a match. Attach the match to the match extender, located inside the right cart door.

Keep your face as far away from the grill surface as possible and hold a match, attached to the match extender, near the burner ports, then push and turn the control knob counter-clockwise to the "HIGH" position. (See Fig. 25)



Using the Rotisserie Burner

The grill rotisserie system is designed to cook items from the back using infrared heat. The rotisserie burner is an infrared type which provides intense searing radiant heat. Preferred by chefs over other cooking methods, this intense heat sears in the natural juices and nutrients found in quality cuts of meats.

Remove the warming rack from the grill when using the rotisserie to prevent warping from the intense heat of the infrared unit.

NOTE: The rotisserie spit rod is centered between the grill hood and the burners. It may be necessary to remove the grates and flavor grids when cooking larger portions of meat on the rotisserie. This is by design, since this configuration gives you the most possible room above and below the rod for larger pieces of meat.

Once lit, the rotisserie burner will reach cooking temperature in 1 minute. The orange/red glow will even out in about 5 minutes. The rotisserie motor is equipped with metal gears and is capable of turning up to 12 lbs. of food. The motor is mounted on a bracket on the left side of the grill by sliding the motor over the bracket with the cord facing the back of the grill. Make sure the rotisserie motor is completely seated on the bracket prior to operating. Make sure the rotisserie cord is away from any hot surfaces.

⚠ WARNING Electrical Grounding Instructions

This appliance (rotisserie motor) is equipped with a three-prong (grounding) plug for your protection against shock hazard and should be plugged directly into a properly grounded three-prong receptacle. Do not cut or remove the grounding prong from this plug.

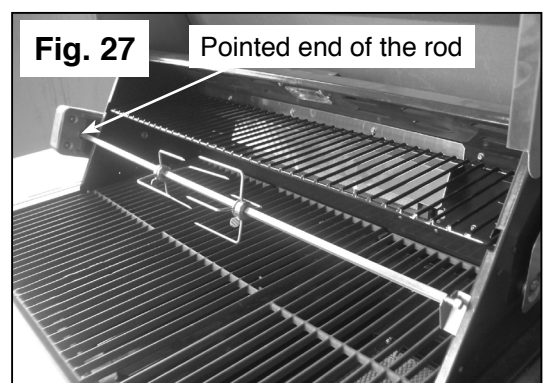
ATTACHING THE ROTISSERIE

The motor is mounted on a bracket on the left side of the grill by sliding the motor over the bracket with the cord facing the back of the grill. (See Fig. 26)

With the rotisserie motor in place and plugged into an electrical outlet, it is now ready to operate. Slide one of the meat forks onto the rod (prongs facing away from the rounded end). Push the rod through the center of the food, then slide the second meat fork onto the rod (prongs toward the food). Center the food to be cooked on the rod, then push the meat forks firmly together. Tighten the thumb screws. It may also be necessary to wrap food with butcher's string, (never use nylon or plastic string) to secure loose portions. (See Fig. 27)

Once the food is secure, insert the pointed end of the rotisserie rod into the motor assembly and rest the other end on the support on the right-hand side of the grill. (If needed, remove the cooking grates for more room). Turn the power switch to the "ON" position to start the rotisserie motor.

NOTE: Remove the rotisserie when not in use. Store the unit indoors when not in use. Remove warming shelf when using rotisserie.



⚠ WARNING
Do not use the rotisserie in the rain.

Rotisserie Lighting

ROTISSERIE LIGHTING

Open the lid. Push and turn the control knob for the rotisserie counter-clockwise to the "HIGH" position. **Continue push the knob and wait 5 seconds.** You'll hear a snapping sound. If the burner does not light in 4 seconds, turn the control knob to "OFF" and wait 5 minutes before trying again. Once lit, turn the control knob to the desired setting. (See Fig. 28)

If the igniter does not function, the burner can be lit by holding a lit match to the burner while the control knob is turned counter-clockwise to "HIGH". (See Fig. 29)

NOTE: After the first use the stainless steel around the a normal reaction of premium stainless steel due to heat infrared panel will also darken after initial use. This is also



Fig. 28



Fig. 29



NOTE: Do not operate the main burners and infrared back burner at the same time. This can cause warping of the roll top grill hood.

Care and Maintenance

⚠ WARNING

HOOD SHOULD NOT BE CLOSED FOR LONG PERIODS WHEN INFRARED BURNER IS IN USE.

INFRARED BURNER CLEANING

After each use, it is necessary to burn the bottom infrared burner with the hood open for at least five minutes to vaporize any food drippings or particles. Failure to perform this step will damage the burner. It may occasionally be necessary to brush, blow, or vacuum accumulated ash from the burner surface. Do so carefully and only when the burner is cool.

AVOID WATER DAMAGE TO INFRARED BURNER

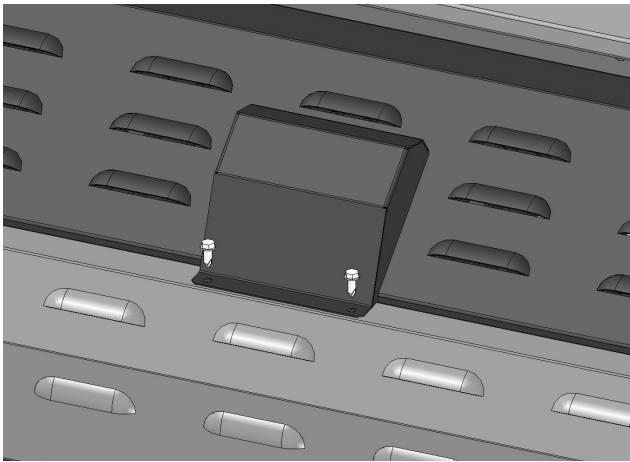
Never allow water to contact the infrared burner as damage will result. Water damage is not covered by your warranty.

Grill Light Maintenance

The light bulb in your grill will need to be replaced occasionally. **Only use the light bulb supplied with the grill or a replacement lamp specified by Four Seasons™.**

Light bulb replacing instructions:

- 1, Disconnect the light wires from the transformer wires under the grill head assembly.
- 2, Remove the two (2) self-tapping screws secure the light cover on the back.
- 3, Remove the light cover.
- 4, Open the lid and remove the self-tapping screw secure the light bulb in position and remove the light bulb.
- 5, Reinstall the new light bulb in position and attach the wires to the transformer wires under the grill head assembly.



Step 2



Step 4

⚠ WARNING

Always unplug light cord when not in use.

⚠ WARNING

Do Not use grill light in the rain.

Bottom Infrared Cooking Tips

Even with an expert chef, infrared cooking can be quite a challenge. If you follow these simple suggestions, you will soon be making juicier, more savory foods than you have ever experienced before. In general, foods will cook in less time than they would take an ordinary grill. If you rotate food regularly (about every 2 minutes), extreme charring is avoided.

Infrared grills work by producing concentrated heat which quickly sears the meat. Searing holds in flavor and juices while allowing the surface to soak in smoke and food aroma that is produced as grease and drippings are vaporized by the infrared burner. The outcome is a crisp, flavorful exterior with a tender, moist interior - just the outcome you want with most grilled foods.

HOW TO GRILL WITH BOTTOM INFRARED BURNER

- Place food on grill grids and turn every 2 to 2 1/2 minutes until food is cooked to desired doneness. Do not let food cook more than 2 1/2 minutes without turning.
- Perfect cross sear marks can be made by rotating food 90°

We recommend that you turn food being grilled on an infrared burner every two minutes during the cooking period. Never allow food to cook more than 2 1/2 minutes without turning.

Food Item

Approx. Cook Time

Chicken Breast, boneless	8-10 min.
Chicken Breast, bone-in	20-24 min.
Hamburger, 1/2 thick	5 min. Medium
	6 min. Well Done
Steak, 1" thick	6 min. Rare
	8 min. Medium
	10 min. Well Done

These are recommended times only. Due to variations in cuts of meat and personal taste, your cooking times may vary. Use your discretion when using your infrared burner.

CONTROLLING FLARE-UPS

NEVER ATTEMPT TO CONTROL A FLARE-UP DOUSING WITH WATER. BURNER DAMAGE WILL RESULT AND VOID YOUR WARRANTY.

With proper care, flare-ups should not present a problem with your grill. Minimize flare-ups by:

- Properly pre-heating the grill
- Trimming excess fat from meat
- Cleaning grill regularly to avoid grease build-up
- Repositioning meat during cooking

If flare-up occurs, move meat to a different portion of the grill until the flare-up is under control.

Care and Maintenance

PROTECTION OF INFRARED BURNERS

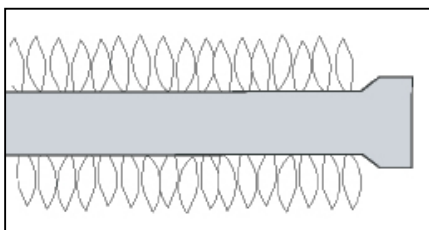
The burners of your grill are designed to provide a long life of satisfactory performance. However, there are steps you must take to prevent cracking of the burner's ceramic surfaces, which will cause the burners to malfunction. The following are the most common causes of cracks and the steps you must take to avoid them. **Damage caused by failure to follow these steps is not covered by your grill warranty.**

IMPACT WITH HARD OBJECTS - Never allow hard objects to strike the ceramic. You should take particular care when inserting or removing cooking grids and accessories into or from the grill. If objects such as these fall onto ceramic, it is likely to crack the ceramic.

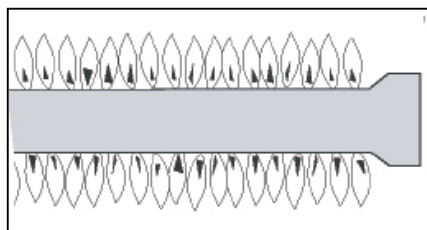
IMPAIRED VENTILATION OF HOT AIR FROM GRILL - In order for the burners to function properly, hot air created by the burners must have a way to escape, the burners may become deprived of oxygen, causing them to backfire, especially if the burner output is set at HIGH. If this occurs repeatedly, the burners may crack. This is the reason your grill was designed with ventilation louvers. These design features give the hot air an escape route. Accordingly, never operate your grill with very little or no open space at the cooking surface (the cooking grids provide sufficient space). Also, never cover the ventilation louvers with foil or other materials that prevent air flow. Specifically, do not cover the entire surface with foil, a large pan, etc.

GENERAL MAINTENANCE

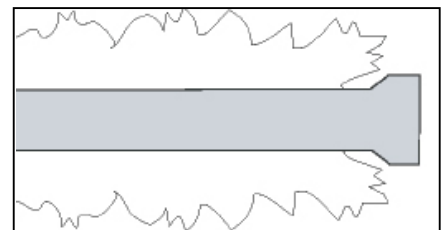
- Keep outdoor cooking gas appliance area clear and free from combustible materials, gasoline and other flammable vapors and liquids.
- Do not obstruct the flow of combustion and ventilation air.
- Keep the ventilation openings of the cylinder enclosure free and clear from debris.
- Visually check the burners



Normal: Soft blue flames



Out of Adjustment: Hard blue flames- too much air



Poor Combustion: wavy, yellow flames- too little air

Care and Maintenance

DRIP TRAY

The drip tray should be cleaned periodically to prevent heavy buildup of debris.

NOTE: Allow the drip tray to cool before attempting to clean.

Important: Do not leave the grill outside during inclement weather unless it is covered. Rain water can collect inside of the grill, the grill cart or the drip tray if left uncovered. If the drip tray is not cleaned after use and the grill is left uncovered, the drip tray will fill with water causing grease and water to spill into the grill cart. We recommend cleaning and storing the drip tray after every use.

COOKING GRATES

The cooking grate can be cleaned immediately after cooking is completed and after turning off the grill. Wear a barbecue mitt and scrub the cooking grates with a damp cloth. If the grill is allowed to cool down, cleaning the grates will be easier if removed from the grill and cleaned with a mild detergent.

STAINLESS STEEL

After initial usage, areas of the grill may discolor from the intense heat given off by the burners, this is normal.

Purchase a mild stainless steel cleaner and rub in the direction of the grain of the metal. Specks of grease can gather on the surface of the stainless steel and bake on to the surface and give a worn appearance. For removal, use a non-abrasive oven cleaner in conjunction with a stainless cleaner.

NOTE: Always scrub in the direction of the grain.

IGNITER ACCESS (UNDER SIDE BURNER SHELF)

To remove igniter, unscrew igniter push button and locking nut from front panel of the side burner and igniter will fall out through the bottom.

PORCELAIN PARTS

Certain parts of your grill have a porcelain coating. Porcelain is a glass-based product, and is highly durable to standard wear and tear. However, porcelain is sensitive to concussive blows, which can create interlaced micro-fractures, or “spider-webs.” Please take care not to strike any porcelain covered parts with solid objects, drop them, or create any other concussive blows. These interlaced micro-fractures are common and may lead to minor chipping. Neither the chipping nor the interlaced micro-fractures will adversely affect the performance of your grill, and are not covered under the warranty for porcelain parts.

Troubleshooting Your Grill

GENERAL TROUBLE SHOOTING

You should inspect the burners at least once a year or immediately if any of the following conditions occur:

- The smell of gas.
- Flames appearing mostly yellow. (some yellow at the tips is OK)
- The grill will not get hot enough.
- Burners make a snapping noise.
- The grill heats unevenly.

SPIDER AND INSECT WARNING

Spider and insects can nest in the burners of this or any other grill and cause the gas to flow from the front of the burner. This is a very dangerous condition which can cause a fire to occur behind the valve panel, thereby damaging the grill and making it unsafe to operate. We recommend you check the grill and remove any spiders, insects and webs at least once a year to reduce this risk.

BEFORE CALLING CUSTOMER SERVICE

If the grill does not function properly, use the following checklist.

Problem	SOLUTION
Grill will not light when the knob is pushed.	<ul style="list-style-type: none">• Is your gas supply turned on? <hr/> <ul style="list-style-type: none">• Is there gas in your L.P. tank? Check your gas level. <hr/> <ul style="list-style-type: none">• Is one of your burners turned on? Allow up to four seconds of gas flow to ignite. <hr/> <ul style="list-style-type: none">• Is your igniter working? You should hear a snapping sound when you press the igniter? If you hear a snapping sound can you see a spark at the electrodes? <p>Note - You will need to remove your cooking grates and flavor grids to see the electrodes.</p> <hr/> <ul style="list-style-type: none">• Check to see if your igniter battery is installed correctly with the positive side to the outside. <hr/> <ul style="list-style-type: none">• Check your igniter battery and replace if needed. <hr/> <ul style="list-style-type: none">• Check for loose wire connections to the igniter or electrodes. <hr/> <ul style="list-style-type: none">• Check to see if debris is blocking the electrodes. <hr/> <ul style="list-style-type: none">• If the igniter is not working can you light the grill with a match? <hr/>

Troubleshooting Your Grill

Problem

SOLUTION

Grill will not light with a match or low heat with dial set to "High" position.

- Is your gas supply fully turned on?
- Is there gas in your L.P. tank? Check your gas level.
- Shut off gas supply, disconnect gas line at tank, reconnect the line to the tank.
- Make sure all the knobs are in the "OFF" position, then open the gas supply valve on the L.P. tank very slowly 1/4 turn, then open fully (at least two full turns). Check Flame.
- Check to insure the gas supply line or hose is not kinked.
- If only one burner appears low, check and clean the burner ports if clogged or dirty.
- Check for leaks.

Note: PreHeating time can take from 5 to 10 minutes.

Flame is erratic

- Check gas connection
- look for kinked hose.
- make sure gas supply valve is fully open.
- Gas level may be low.
- Grill may be in need of cleaning.

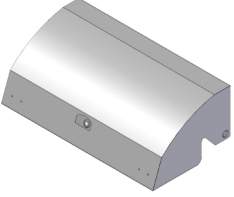
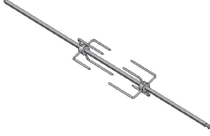
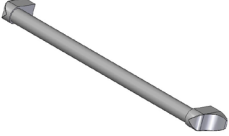
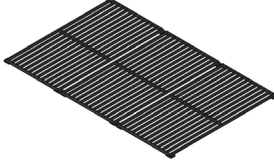


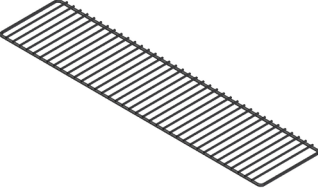

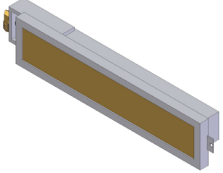
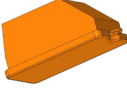


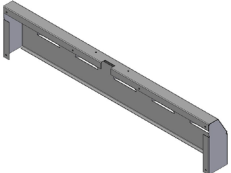
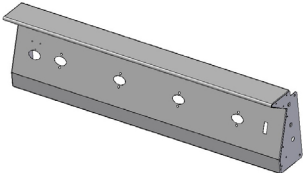

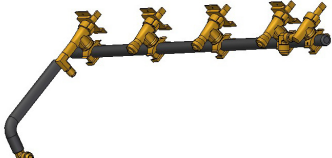
Flareups

- Check flavor grids and cooking grates for excess food or grease buildup.
 - Ensure grill is not placed directly in the path of wind.
 - Be sure drip tray is clean, (do not use aluminum foil on drip tray.)
- Note: Some flareups may be inevitable if cooking greasy foods.**

Burner flame is mostly yellow or orange, possibly in conjunction with smell of gas.

- Check the burner inlet for obstructions. Particularly at air inlets for each burner.
- Grill may be in an area that is too windy.

Replacement Part List

	Hood Assembly FCBJ3308001 1 set		Spit Rod & Forks FCTG3307005 1 set
	Hood Handle Assy. FCTG3307014 1 set		Main Cooking Grates FCTG3307004 1 set
	Temp. Gauge FCCS0007030 1 pcs		Flavor Grids FCCS0007004 1 set
	Bread Warming Rack FCBJ3308003 1 pcs		Main Burner Tube FCBJ3308007 1 pcs
	Back IR Burner Assy. FCBJ3308004 1 set		Inside Lamp FCBJ3308008 1 pcs
	Back IR Igniter FCCS0007022 1 pcs		Lamp Cover FCBJ3308009 1 pcs
	Back IR cover FCBJ3308005 1 pcs		Front Face Assy. FCBJ3308010 1 set
	Rotis Motor FCCS0007021 1 pcs		Manifold & Valve Assy. FCBJ3308011 1 set

Replacement Part List



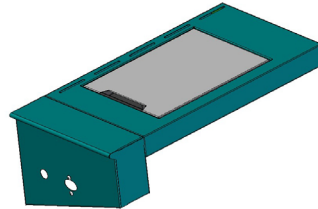
Large Bezel
FCCS0007033
1 pcs



Side Burner Grate
FCTG2707026
1 pcs



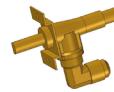
Large Knob
FCBJ3308002
1 pcs



Side Burner Right Assy.
FCBJ3308013
1 set



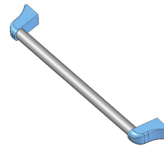
Small Knob
FCBJ3308006
1 pcs



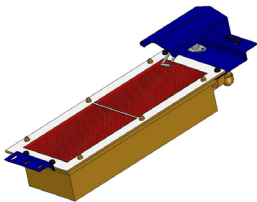
Side Burner Valve
FCBJ3308037
1 pcs



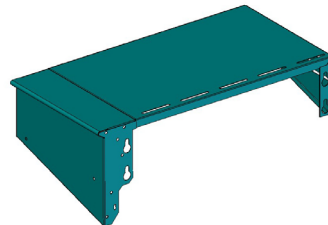
Small Bezel
FCTG3007026
1 pcs



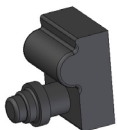
Towel Bar
FCTG3007020
1 set



Bottom IR Burner Assy.
FCCS0007005
1 set



Left Side Shelf
FCBJ3308014
1 set



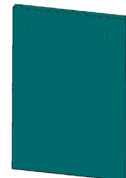
Igniter Module 6 poles
FCBJ3308012
1 pcs



Cart Door Left
FCBJ3308015
1 set



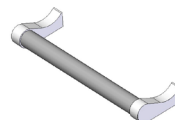
Side Burner Casting
FCBJ3308036
1 pcs



Cart Door Right
FCBJ3308016
1 set



Side Burner Brass Cap
FCTG3007023
1 pcs



Cart Door Handle Assy.
FCTG3307015
1 set

Replacement Part List

	<p>Cart Back FCBJ3308017 1 set</p>		<p>Side Burner Igniter w/ Wire FCTG2608030 1 pcs</p>
	<p>Cart Side Left FCBJ3308018 1 pcs</p>		<p>Drip Pan FCCS0007037 1 pcs</p>
	<p>Cart Side Right FCBJ3308019 1 pcs</p>		<p>Wheel Channel Left Assy. FCBJ3308025 1 set</p>
	<p>Cart Base FCBJ3308020 1 set</p>		<p>Wheel Channel Right Assy. FCBJ3308026 1 set</p>
	<p>Tank Tray FCBJ3308021 1 set</p>	<p>Not Shown:</p>	
	<p>Transformer w/ Wires FCBJ3308022 1 pcs</p>	<p>FCBJ3308027 FCBJ3308028 FCBJ3308029 FCBJ3308030 FCCS0007023 FCCS0007044 FCBJ3308032 FCCS0007036 FCCS0007038 FCBJ3308035</p>	<p>Main Igniter w/ Wire 880 Main Igniter w/ Wire 700 Main Igniter w/ Wire 500 Bottom IR Igniter Wire Back IR Igniter Wire Flex Line For Bottom IR Flex Line For Back IR Regulator w/ Hose Cart Door Magnet Catch "Four Seasons" Logo</p>
	<p>Tank Barrier Bar FCBJ3308023 1 pcs</p>		
	<p>Lamp Switch FCBJ3308024 1 pcs</p>		

LIMITED WARRANTY

Sure Heat Mfg warrants that for 2 years from the date of purchase, the stainless steel panels will not break due to defects in material or workmanship. All other components of this grill are warranted free from defects in material and workmanship for one year from the date of purchase. Sure Heat Mfg. at its option, will repair or replace this product or any component of the product found to be defective during the warranty period. Replacement will be made with a new manufactured product or component. if the product is no longer available, replacement may be made with a similar product of equal value. This warranty does not include transportation or shipping costs of any kind. This is your exclusive warranty.

This warranty is valid for the original retail purchaser from the date of initial retail purchase and is not transferable. Keep the original sales receipt. Proof of purchase is required to obtain warranty parts.

This warranty does not cover normal wear of parts such as scratches and dents of the stainless steel components or damage resulting from any of the following:

- negligent use or misuse of the product, including exposing the product to chemicals or cleaning products not approved by Sure Heat Mfg.
- corrosion, rust or discoloring of any kind.
- use or installation contrary to specified instructions and applicable building codes, including heating the product to temperatures above its rated specifications which can cause considerable warping
- disassembly, including removal of the product from a built-in installation
- damage resulting from accident, alteration, misuse, abuse, hostile environments, or improper installation
- repair or alteration
- acts of God, such as fire, flood hurricanes, and tornadoes
- gas cylinders, propane tanks or other fuel delivery systems, including connections to a household fuel supply
- usage other than single-family household use such as commercial or industrial use
- minor warping or discoloration of parts, which is normal and not a defect under this warranty

DO NOT RETURN THIS PRODUCT TO THE PLACE OF PURCHASE

If the Grill does not operate properly, first thoroughly carry out the instructions provided with the unit to ensure that the appliance is installed correctly and check the trouble shooting section in the use and care manual.

We recommend you return the warranty registration card so that you can be contacted with any questions of safety arise that could affect you. The return of the warranty registration card is not a condition for warranty coverage.

Because of continuing product improvement these specifications are subject to change without notice.

If you have other questions or need replacement parts contact our
Customer Service Hotline at (800) 229-5647 or
visit our website at www.sureheat.com

Sure Heat Manufacturing 1861 West Oak Parkway Marietta, GA 30062