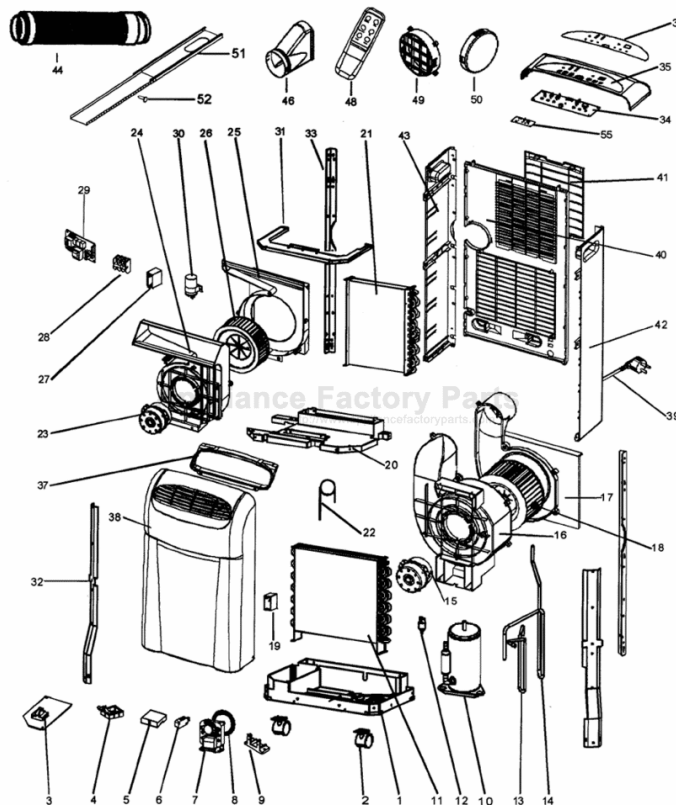


This Owner's Manual is provided and hosted by [Appliance Factory Parts](#).



DE'LONGHI NF90 Owner's Manual

[Shop genuine replacement parts for DE'LONGHI NF90](#)



[Find Your DE'LONGHI Air Conditioner Parts - Select From 155 Models](#)

----- Manual continues below -----

Important safeguards

- Use this appliance only as described in this instruction manual. As with any electrical appliance, the instructions aim to cover as many eventualities as possible. Caution and common sense should be used when operating and installing this air conditioner.
- This appliance has been manufactured to cool and dehumidify domestic environments and should not be used for other purposes.
- It is dangerous to alter or modify the unit's characteristics in any way.
- The appliance must be installed in line with the relevant national legislation.
- Should repairs be necessary, contact the nearest authorized De'Longhi Repair Service Center. Unauthorized DeLonghi servicing can be dangerous.
- This appliance is to be used by adults only; keep away from children.
- In the case that the power cord becomes damaged, this must be substituted only by specialized personnel authorized by the manufacturer, to protect against fire.
- Always ensure the appliance is grounded. If you have any doubts check with a qualified electrician.
- We strongly discourage the use of an extension cord due to potential safety hazards. For temporary situations, use only CSA certified and UL Listed 3-wire grounded extension cord, rated 15 A, 125 V.
- Before cleaning or maintenance operations, always unplug the unit from the outlet.
- Do not pull on or place strain on the power cord when moving the appliance.
- The appliance should not be installed where the atmosphere may contain combustible gases, oil or sulphur, or near heat sources.
- Do not rest hot or heavy objects on the appliance.
- Clean the filters at least once a week.
- Avoid using heaters near the unit.
- The unit should be transported in a vertical position. If this is not possible secure the unit at an angle, do not lie it horizontally.
- Before transporting the unit, drain the unit. After transportation, wait at least 1 hour before switching the unit on.
- The packaging materials can be recycled. You are therefore recommended to place them in the special containers for differentiated waste collection.
- This appliance is fitted with a special safety device. When the compressor switches off, this device prevents it from switching on again for at least 3 minutes.
- **WARNING:** Handling the cord on this product will expose you to lead, a chemical known to the State of California to cause (cancer, and) birth defects or other reproductive harm. Wash hands after handling.

SAVE THESE INSTRUCTIONS THIS PRODUCT IS FOR HOUSEHOLD ONLY

DESCRIPTION

- | | |
|---------------------------------------|---------------------------------------|
| 1 air outlet grille | 11 wall flange |
| 2 control panel | 12 air exhaust hose |
| 3 castors | 13 accessory for wall mounting |
| 4 handles | 14 window bracket grille |
| 5 filter | 15 window bracket cap |
| 6 evaporator air intake grille | 16 window bracket |
| 7 air exhaust hose housing | 17 6 screws |
| 8 condenser air intake grille | 18 window outlet |
| 9 power cable | 19 rubber pipe |
| 10 drainage hose | 20 remote control |

Preparing for use

ELECTRICAL CONNECTIONS

Before plugging the appliance into the mains socket, check that:

- The mains power supply corresponds to the value indicated on the rating plate on the back of the appliance;
- The mains socket and electrical circuit are adequate for the appliance;
- The mains socket matches the plug. If this is not the case, have the plug replaced;
- The mains socket is adequately earthed. **Failure to follow these important safety instructions absolves the manufacturer of all liability.**

GB

The power cable must be replaced by a qualified professional only.

The instructions below will enable you to prepare your air conditioner for operation as efficiently as possible.

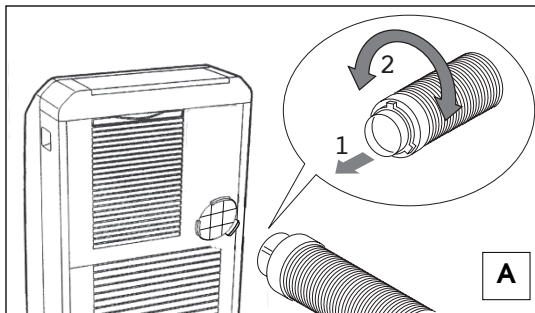
Before use, make sure the air intake and outlet grilles are unobstructed.

AIR-CONDITIONING WITHOUT INSTALLATION

Just a few simple steps and your comfort is ensured with your air conditioner:

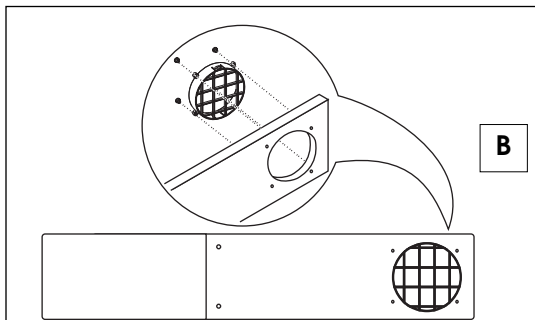
- Fit the air exhaust hose **12** in the housing **7** at the back of the appliance.

Insert it as shown in figure **A**.

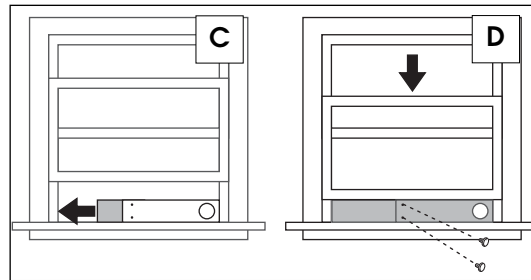


Sash window

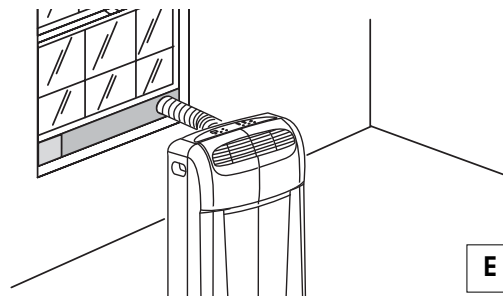
- Attach the window bracket grille **14** to the window bracket **16** with the four screws provided **17** (fig. **B**).



- Open the window.
- Place the window bracket **16** in the window, extending it to fit the width of the window (fig. **C**).



- Once the bracket is extended, it can be locked into its width by tightening the two screws provided.
- Close the window (fig. **D**).
- Place the air conditioner near the window. Insert the exhaust hose **12** into the window bracket grille **14** (fig. **E**). Make sure the air exhaust hose is unobstructed.



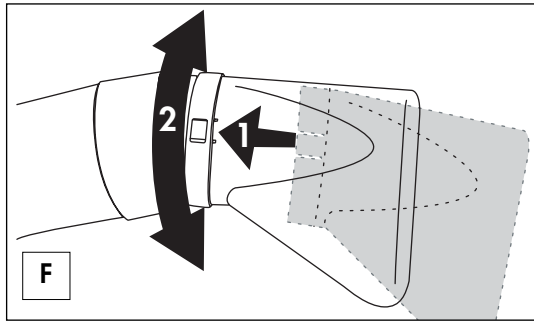
- When not used, the window bracket can be closed off with the cap **15** provided.

Keep the air hoses as short and free of curves as possible to avoid constrictions.

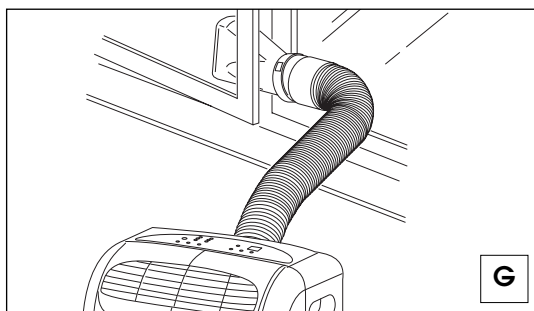
Preparing for use

French window

- Attach the window outlet **18** to the air exhaust hose **12** (fig. F).



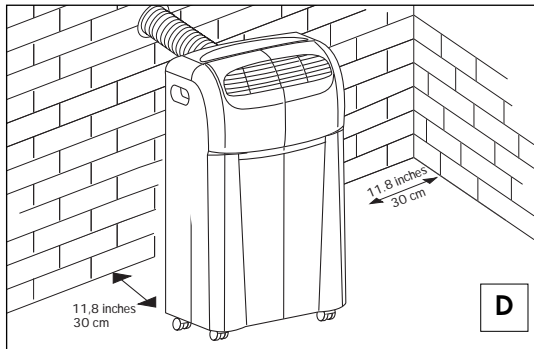
- Open the French window slightly and position the outlet **12**, as shown in figure G



Keep the air hoses as short and free of curves as possible to avoid constrictions.

SEMI-PERMANENT INSTALLATION

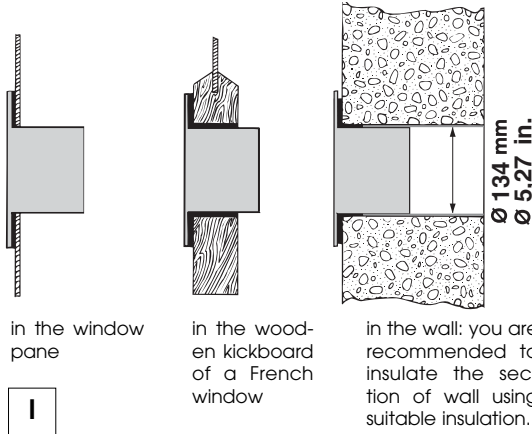
If required, your appliance can also be installed semi-permanently (Fig. H).



Proceed as follows:

- Drill a hole (Ø134mm) in an outside wall or through a window pane.

Respect the height and dimensions of the hole given in figure I.



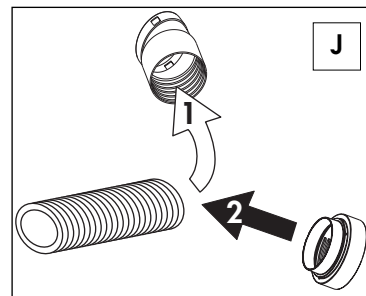
in the window pane

in the wooden kickboard of a French window

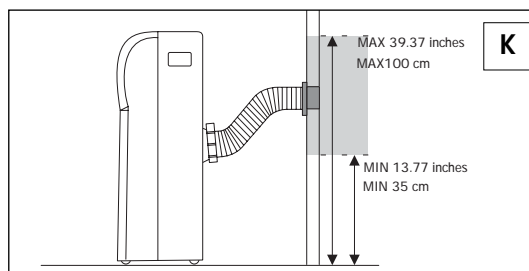
in the wall: you are recommended to insulate the section of wall using suitable insulation.

- Fit the wall flange **11** into the hole.
- Fit the air exhaust hose **7** in the relevant hose located on the rear side of the appliance. (fig. A page 5).

- Remove the plastic end of the hose **12** by unscrewing it and in its place screw the wall mounting accessory **13** (fig. J).



- Fit the end of the hose **12** to the wall flange **11** as shown in fig. K.



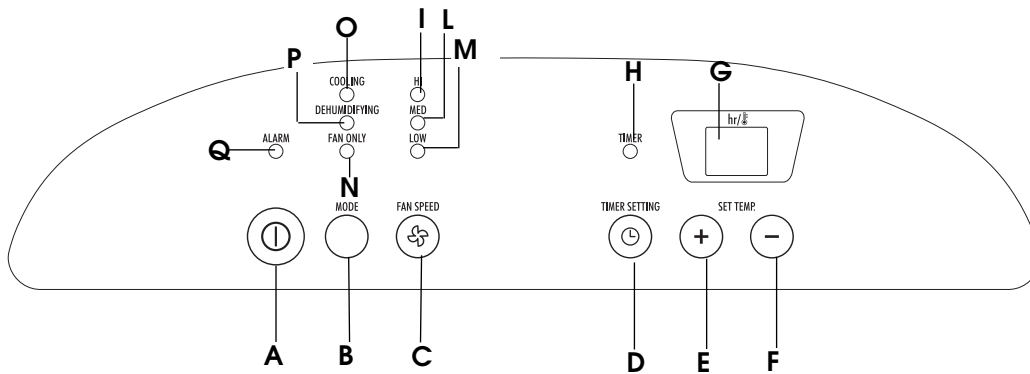
When the hose **12** is not fitted, the hole can be closed with the flange cap.

NOTE: When installing the air conditioner semi-permanently, you should leave a door slightly open (as little as 1 cm) to guarantee correct ventilation.

Control panel

THE CONTROL PANEL

GB



DESCRIPTION OF THE CONTROL PANEL

A ON/OFF button

B MODE selection button

Air conditioning, dehumidifying, fan.

C Fan speed selection button (HIGH/MED/LOW)

D Timer button

E Programmed operation increase temperature/time button

F Programmed operation decrease temperature/time button

G Display Displays the temperature values set and the programmed operating time

H Timer in operation indicator light

I/L/M Fan speed lights

N Fan mode light

O Air-conditioning mode light

P Dehumidifying mode light

Q Alarm light

Operation

TURNING THE APPLIANCE ON

Plug the appliance into the mains.

Press the **ON/OFF** button (**A**) (when turned on, the air conditioner starts operating in the same mode as when it was turned off).

The display shows the room temperature.

Press the **MODE** button (**B**) until the indicator light corresponding to the required mode lights up:

Light (**O**): air-conditioning mode

Light (**N**): fan mode

Light (**P**): dehumidifying mode

AIR-CONDITIONING MODE

Ideal for hot humid weather when you need to cool and dehumidify the room.

To set operation of the appliance correctly, press the + (**E**) or - (**F**) buttons until the desired temperature is displayed (to change from °F to °C degrees or viceversa, press for few seconds both buttons **E** and **F**).

Then select the fan speed by pressing the FAN button (**C**) until the indicator light corresponding to the required fan speed lights up:

HIGH: the air conditioner operates at maximum to reach the required temperature as rapidly as possible

MED: reduces noise levels but still maintains a good level of comfort

LOW: for silent operation

The most suitable temperature for the room during the summer varies from 75°to 81°F (24 to 27°C) You are recommended, however, not to set a temperature much below the outdoor temperature.

FAN MODE

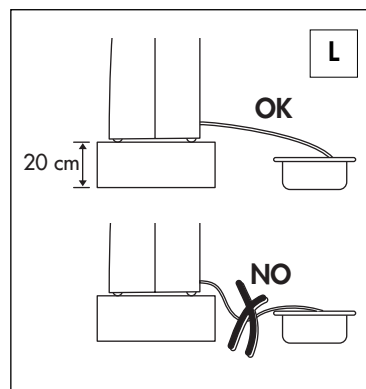
Adjust fan speed by pressing the FAN button (C) as described for the air-conditioning mode. Remember that the higher the speed, the more air is filtered. If you select "LOW" speed, less air is filtered but the appliance is also less noisy.

GB

DEHUMIDIFYING MODE

Ideal for reducing the humidity in a room (spring or autumn, damp rooms, rainy spells, etc). In this mode the room temperature can be slightly increased.

1. In this mode do not use the air exhaust hose.
2. When the room temperature is low the fan speed is automatically set to low. When the room temperature is high the fan speed can be adjusted by the user pressing the push button "C".
3. When the appliance is operating in dehumidifying mode, you should ideally use the continuous drain function and hose supplied as standard (19). The appliance should be placed on a perfectly horizontal surface a maximum of 20 cm high to facilitate collection of the drained water (fig. L). Lock the two front wheels of the appliance using the special lever incorporated in the wheels. **Important:** While in operation, the appliance vibrates. It is therefore important to make sure it is positioned stably on the surface and away from the edges to avoid it falling.



If you cannot use the continuous drain function, dehumidifying is still possible but you must empty the internal tank through the drain outlet at the back every 45 minutes or so.

When the dehumidifying mode is selected, the light (P) comes on.

PROGRAMMING THE TIMER

The timer can be used to delay appliance start up or shut down. This avoids wasting electricity by optimizing operating periods.

How to programme delayed start up

- Plug the appliance into a mains socket and press the ON/OFF button (A), then select the required operating mode and other settings (temperature, fan speed, etc).
- Press the ON/OFF button (A) again to place the appliance in standby mode.
- Press the timer button (D). The timer light "H" flashes.
- Use the + (E) or - (F) buttons to set the number of hours delay before the appliance comes on.
- The time increases or decreases in steps of one hour.

The indicator light (H) flashes until the appliance starts up.

You can set the appliance to come on with a delay of up to 12 hours.

To cancel the timer programme, press the timer button (D) again.

Light (H) stops flashing.

How to programme delayed shut down

- Delayed shut down can be programmed in any operating mode (air conditioning / fan/ dehumidifying).
- Press the timer button (D). The timer light "H" flashes.
- Use the + (E) or - (F) buttons to set the number of hours delay before the appliance goes off.

The time increases or decreases in steps of one hour.

The light (H) flashes until the appliance turns off as programmed.

At the set time, the air conditioner shuts down and remains in standby.

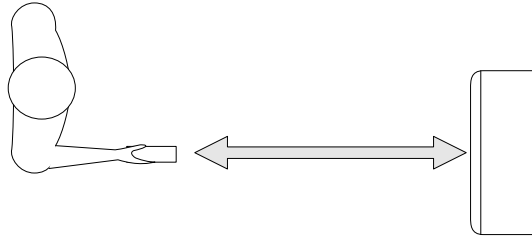
To cancel the timer programme, press the timer button (D) again.

Light (H) stops flashing.

Using the remote control unit (Certain models only)

MODELS WITH REMOTE CONTROL

- Point the remote control at the receiver on the air-conditioner.
- The remote control should be handled with **extreme care and respect**. Do not drop it, expose it to direct sunlight, or leave it near sources of heat.

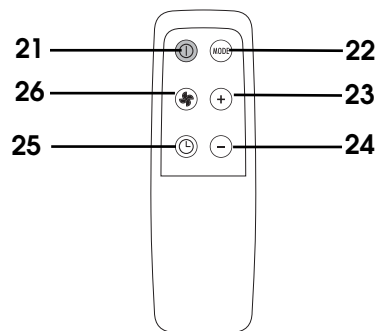


DESCRIPTION OF THE REMOTE CONTROL

- 21) "ON/OFF" button
- 22) "MODE" button
- 23) Programmed operation temperature increase button
- 24) Programmed operation temperature decrease button
- 25) "TIMER" button
- 26) Fan speed selection button (HIGH/MED/LOW).

Replacing the batteries

- Remove the cover on the rear of the remote control;
- Replace the old batteries with two new LR03 "AAA" 1.5V batteries, inserting them correctly (see the instructions inside the battery compartment);
- Replace the cover.



If the remote control unit is replaced or discarded, the batteries must be removed and disposed of in accordance with current legislation as they are harmful to the environment.

Do not mix old and new batteries.

Do not mix alkaline, standard (carbon-zinc) or rechargeable (nickel-cadmium) batteries.

Do not dispose of batteries in fire. Batteries may explode or leak.

TURNING THE APPLIANCE ON

Plug the appliance into the mains.

Press the **ON/OFF** button (21) (when turned on, the air conditioner starts operating in the same mode as when it was turned off).

Press the **MODE** button (22) to select the required mode

COOLING

DEHUMIDIFYING

FAN ONLY

On the control panel, the light corresponding to the selected mode comes on.

For air conditioning/dehumidifying/fan only settings and programming the timer, see page.8-9.

Tips

To get the best from your air conditioner, follow these recommendations:

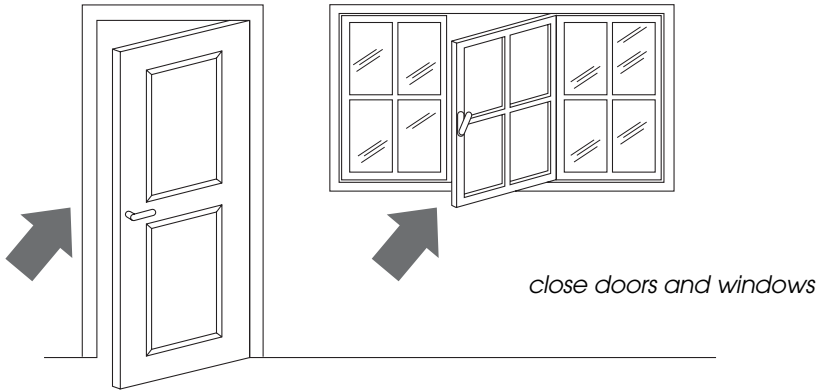
- close the windows and doors in the room to be air conditioned.

The only exception is when the appliance is installed through a hole in the wall.

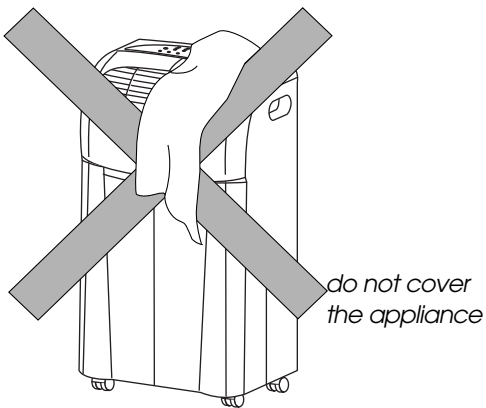
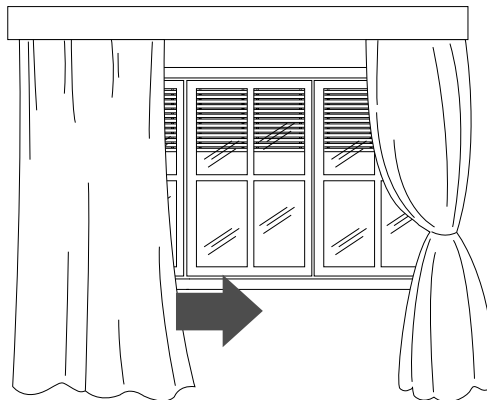
In this case, you are recommended to leave a slight draught through a door or window to guarantee correct ventilation.

- Never use the appliance in very damp rooms (laundries for example).
- Never use the appliance outdoors.

GB



- Protect the room from direct exposure to the sun by partially closing curtains and/or blinds to make the appliance much more economical to run;
- Never rest objects of any kind on the air conditioner;
- Never obstruct the air intake **6** or outlet **1** grilles;
- Make sure there are no heat sources in the room.



- Make sure the air conditioner is on a **level** floor.

Cleaning

Before cleaning or maintenance, turn the appliance off by pressing the ON/OFF button (A) or in models with remote control unit, by pressing the ON/OFF button 21, then always unplug the appliance from the mains socket.

CLEANING THE CABINET

You should clean the appliance with a slightly damp cloth then dry with a dry cloth.

For safety reasons, never wash the air conditioner with water.

Precautions

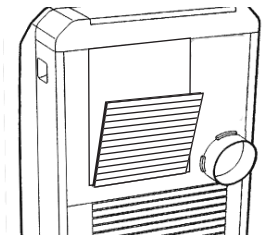
Never use petrol, alcohol or solvents to clean the appliance. Never spray insecticide liquids or similar.

CLEANING THE AIR FILTERS

To keep your air conditioner working efficiently, you should clean the dust filter every week of operation.

The filter is housed in the intake grille.

To clean the filters, remove the filter as shown in figure M



M

Use a vacuum cleaner to remove the dust collected on the filter.

If it is very dirty, immerse in warm water and rinse a number of times.

The water should never be hotter than 40°C.

After washing, leave the filter to dry.

Put the filter back in its housing.

START OF SEASON CHECKS

Make sure the power cable and plug are undamaged and the earth system is efficient. Follow the installation instructions precisely.

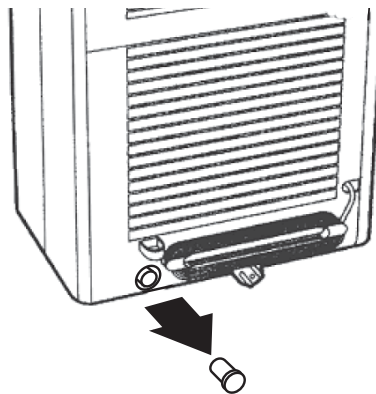
END OF SEASON OPERATIONS

To empty water from the appliance circuit completely, remove the hose on the back of the appliance and remove the cap.

Run off any water left completely (figure N).

When all the water has been drained, put the hose back in its housing.


Clean the filter and dry thoroughly before putting back.



N

Troubleshooting

GB

PROBLEM	CAUSE	REMEDY
The air conditioner does not come on	<ul style="list-style-type: none">• no electricity• it is not plugged into the mains• the safety device has tripped	<ul style="list-style-type: none">• wait• plug into the mains• contact your service centre
The air conditioner works for a short time only	<ul style="list-style-type: none">• the air exhaust hose has a constriction• the air exhaust hose is blocked• there are bends in the air exhaust hose	<ul style="list-style-type: none">• position the exhaust hose correctly• check there are no obstacles obstructing air discharge• eliminate the bends
The air conditioner works, but does not cool the room	<ul style="list-style-type: none">• window open• there are heat sources in the room (burner, lamp, etc)• the exhaust hose is detached• air filter clogged• the air conditioner is not powerful enough for the conditions or size of the room	<ul style="list-style-type: none">• close the window• eliminate the heat source• connect the exhaust hose• clean or replace the filter
Particular odour in the room	<ul style="list-style-type: none">• il filtro dell'aria è intasato	<ul style="list-style-type: none">• pulire il filtro o sostituirlo
The air conditioner does not operate for about three minutes after turning it on	<ul style="list-style-type: none">• the safety device has tripped	<ul style="list-style-type: none">• wait for three minutes
The alarm light  comes on	<ul style="list-style-type: none">• the tank inside the appliance is full.	<ul style="list-style-type: none">• empty the tank by means of the hose on the back of the appliance (see "End of season operations on page 12).

Technical specification

TECHNICAL SPECIFICATION

Power supply voltage	see rating plate
Max. absorbed power during air conditioning	"
Refrigerant	"
Cooling capacity	"

LIMIT CONDITIONS

Room temperature for air conditioning 69.8 ÷ 95°F (21 ÷ 35°C)

Appliance dimensions:

• width	18.1 inc.	460 mm
• height	32.9 inc.	840 mm
• depth	12.5 inc.	320 mm
• weight	79.4 Lbs	36 kg

Transport, filling, cleaning, recovery and disposal of refrigerant should be performed by a technical service centre appointed by the manufacturer only.
The appliance should be disposed of by a specialist centre appointed by the manufacturer only.

**NEVER TURN THE APPLAIANCE UPSIDE DOWN OR ON ITS SIDE.
IF THIS OCCURS, WAIT AT LEAST 1 HOURS BEFORE TURNING THE APPLI-
ANCE ON**

SAFETY PLUG

The appliance is fitted with a safety plug to protect the power cable.
If power is cut off, unplug from the mains and make sure the power cable is undamaged.
If the cable is damaged, call the service center immediately.
If power cuts off frequently and the power cable is undamaged, contact a qualified electrician.

OPERATION OF THE SAFETY PLUG

If the safety device incorporated in the plug trips and cuts off the power supply, check that the power cable and plug are not damaged.
If the power cable is undamaged, to restore operation press the "RESET" button.
To verify correct operation of the plug, press the "TEST" button periodically and make sure the appliance disconnects. If this is not the case, contact the service center.
To restore operation, press the "RESET" button.

Limited Warranty

De'Longhi is the distributor of Kenwood home appliances.
This warranty applies to all home appliances with De'Longhi or Kenwood brand names.

GB

FOR CONTIGUOUS UNITED STATES ONLY

Limited Warranty

We warrant each De'Longhi AIR CONDITIONER to be free from defects in material and workmanship. From the purchase date, our obligation under this warranty is to provide one (1) year free parts and labor on the entire AIR CONDITIONER, with an additional four (4) years free on any part of the sealed system consisting of the compressor, evaporator, condenser and factory connected refrigerant tubing. Labor and all other parts during the additional four (4) year warranty are to be paid by the owner. All AIR CONDITIONERS in need of repair are to be shipped to an authorized De'Longhi service center at the owner's expense, and De'Longhi will then incur the return shipping costs. After the first five (5) years of ownership, all expenses (all parts, labor and shipping) are to be paid by the owner of the unit. This warranty shall apply only if the AIR CONDITIONER is used in accordance with the factory directions that accompany it, and on an Alternating Current (AC) circuit. This warranty is in lieu of all other warranties and representations, expressed or implied, and all other obligations or liabilities on our part. We do not authorize any other person or company to assume for us any liability in connection with the sale or use of our AIR CONDITIONER. This warranty shall not apply to any AIR CONDITIONER that has been repaired or altered outside our factory nor shall it apply to any AIR CONDITIONER that has been subjected to misuse, negligence or accidents.

If repairs become necessary, see contact information below:

U.S. Residents:

Please contact our toll free hotline at 1-800-322-3848 or log onto our website at www.delonghi.com.

For all accessories, spare parts or replacement parts, please contact our parts division at 1-800-865-6330.

CANADA Residents:

Please contact our toll free hotline at 1-888-335-6644 or log onto our website at www.delonghi.com.

Other countries:

Please visit: www.delonghi.com.