

This Owner's Manual is provided and hosted by [Appliance Factory Parts](#).



DE'LONGHI TCH6590ER Owner's Manual

[Shop genuine replacement parts for DE'LONGHI
TCH6590ER](#)

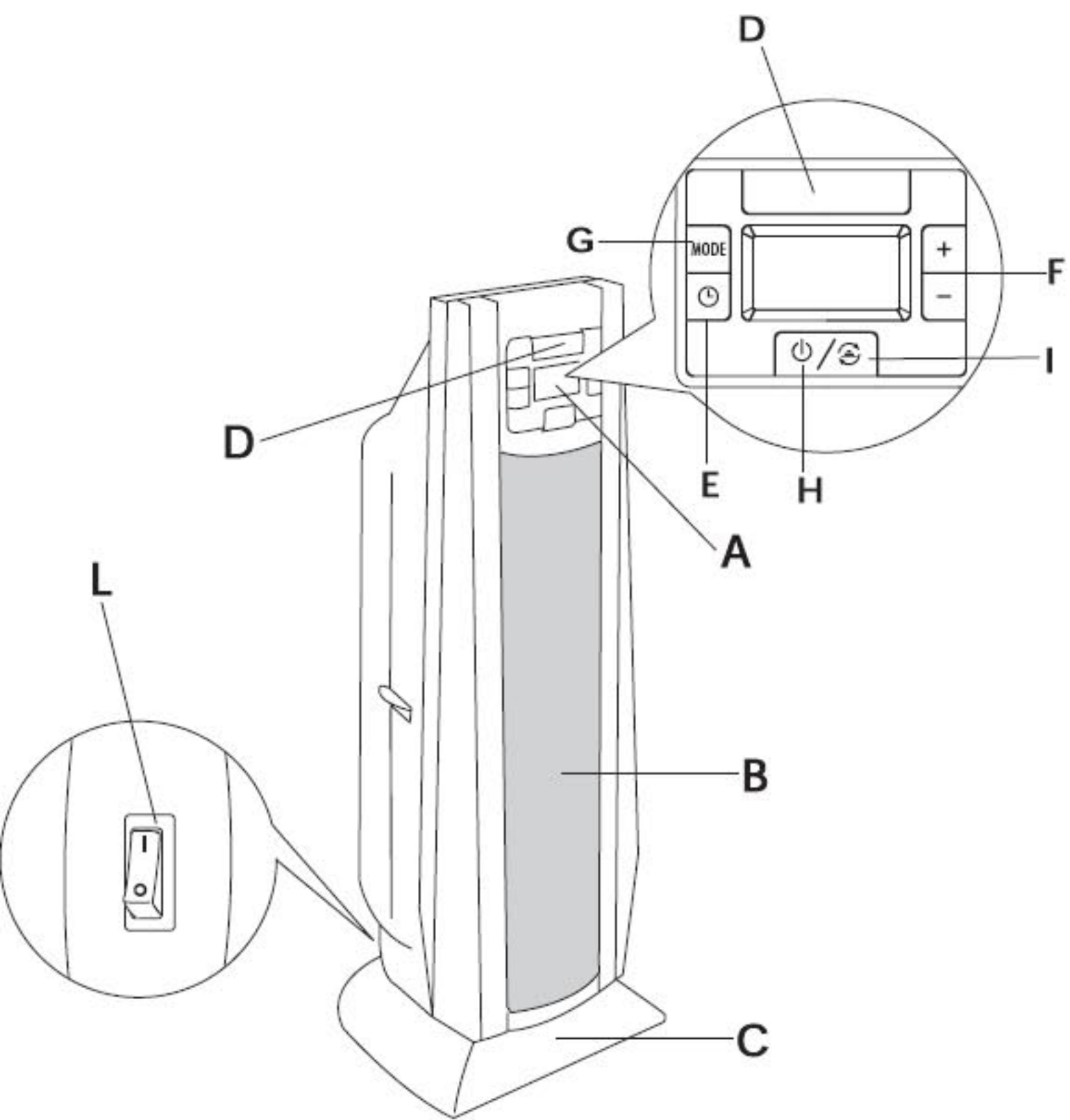


[Find Your DE'LONGHI HVAC Parts - Select From 166 Models](#)

----- Manual continues below -----



TOWER CERAMIC HEATER



DESCRIPTION OF APPLIANCE

- A Control panel
- B Air outlet grille
- C Base
- D Pilot lamp
- E Set time button
- F Temperature adjustment
- G MODE button
- H STAND-BY button
- I Oscillating button
- L ON/OFF button

ELECTRICAL CONNECTION

- Before plugging the appliance into the mains socket, check that the main voltage corresponds to the value indicated on the rating plate.
- THIS APPLIANCE COMPLIES WITH DIRECTIVE 89/336/EEC ON RADIO INTERFERENCE SUPPRESSION.

Installation

The appliance can be used on any rigid horizontal surface.

In order to avoid electric circuit overload, do not use the same socket for other appliances.

OPERATION AND USE

1. Make sure the appliance is off before plugging into the mains.
2. Plug the appliance into an appropriate outlet.
3. To turn the appliance on, the switch (L) at the back must be in the I position. The pilot lamp (D) light also comes on and remains lit as long as the appliance is on.
4. Press button H to turn the appliance on.
5. The appliance starts up in **LOW** mode (minimum heat output). The display shows the current room temperature.
6. Press the **MODE** button (G) to switch to **HIGH** mode (maximum heat output). The display shows the current room temperature.
7. Press the **MODE** button (G) again to switch the appliance to **AUTO** mode. The display shows the temperature set point. Use the + and - buttons to adjust the set point. After a few seconds, room temperature is shown on the display.
8. Press the **MODE** button (G) again to switch the appliance back to **LOW** mode. If the **MODE** button is pressed continuously, the appliance switches through the modes in sequence: **LOW** → **HIGH** → **AUTO**.
9. To turn the appliance off, press button H and place the switch (L) on the b

Timer function

This function can be activated during any operating mode. The timer can set the time the appliance remains in operation, from 1 to 8 hours.

Each time you press the button (E), the operating time increases by one hour. When the timer has been set, the time decreases in steps of one hour and is displayed. At the end of the set time the appliance goes off.

If you do not want to use the appliance with the timer, when the display shows the timer, press the button (E) again to return to manual operation.

Frost prevention mode

You can keep the room at a temperature of around 5°C to prevent the room from freezing with minimal energy consumption.

Press the **MODE** button (G) until **AUTO** is displayed. Press the button "-" to set the set point of (5°C). When the room temperature drops below the set temperature, the appliance comes on automatically.

USING THE REMOTE CONTROL

The remote control should be handled with care, so avoid dropping it and avoid exposure to moisture.

1. Press the **STAND-BY** button (H).
2. To use the oscillate (I), **SET TIME** (E), **MODE** (G) and temperature adjustment (F), refer to the "OPERATION AND USE" section.
3. To replace the batteries, remove the cover on the back of the remote control. The remote control uses two AAA type alkaline batteries (included but packed separately).
4. Do not mix used and new batteries with different values.

MAINTENANCE

- Always unplug the heater before cleaning.
- **During the season when the appliance is in use, clean the air intake grille regularly using a vacuum cleaner.**
- Never use abrasive powders or solvents.

Warnings

- Do not use this heater near showers, bathtubs, sinks, swimming pools, etc.
- Always use the heater in an upright position.
- Do not use the heater to dry laundry. Never obstruct the intake and outlet grilles (damaged or blocked).
- The appliance is not intended for use by persons (including children) with reduced sensory or mental capabilities, or lack of experience and knowledge, unless given supervision or instruction concerning use of the appliance by a person responsible for their safety. Children should be supervised to ensure that they do not play with the appliance.
- The heater must be positioned at least 50 cm from furniture or other objects.
- Do not use the appliance near walls, furniture, curtains, etc.
- The use of extension leads is not recommended. However if they cannot be avoided, use only those with a maximum capacity of 16A and 2500W.

The heater is fitted with a safety device which switches it off in the event of overheating (eg. obstruction of air intake and outlet grilles, motor turning too fast). To reset, unplug the appliance from the mains socket for a few minutes, then plug in again.



WARNING: In order to avoid overheating, never under any circumstances touch the appliance during operation, as this would lead to dangerous overheating.

CAUTION: In order to avoid a hazard due to inadvertent resetting of the appliance, the appliance must not be supplied through an external switching device, such as a timer, connected to a circuit that is regularly switched on and off by the utility.

Important information for correct disposal of the product in accordance with Directive 2002/96/EC.



At the end of its working life, the product must not be disposed of as household waste. It must be taken to a special local authority differentiated waste collection point or a dealer providing this service.

Disposing of a household appliance separately avoids possible negative consequences for the environment and health deriving from inappropriate disposal. It enables the constituent materials to be recovered to obtain secondary energy and resources. As a reminder of the need to dispose of household appliances separately, the product is marked with a crossed-out wheeled trash bin.