

This Owner's Manual is provided and hosted by [Appliance Factory Parts](http://www.appliancefactoryparts.com).



Centro 85-3014-8,4900IR LP (2009) Owner's Manual

[Shop genuine replacement parts for Centro
85-3014-8,4900IR LP \(2009\)](#)



[Find Your Centro Grill Parts - Select From 150 Models](#)

----- Manual continues below -----

CENTRO



CENTRO 4900IR

Assembly Manual

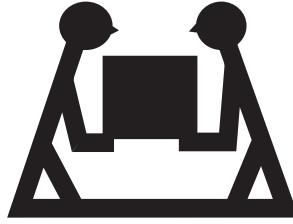
85-3014-8 (G51208) Propane
85-3015-6 (G51211) Natural Gas

LIMITED 5-YEAR WARRANTY

Read and save manual for future reference.

**Assemble your grill immediately.
Missing or damaged parts should be
claimed within 30 days of purchase.**

**For product inquiries, parts, warranty and troubleshooting support,
please call 1-877-707-5463.**



HEAVY ARTICLE NEEDS 2 TO LIFT

THIS MANUAL MUST REMAIN WITH THE PRODUCT AT ALL TIMES

To ORDER non-warranty replacement parts or accessories, or to register your warranty, please visit us on the web at www.centrobbqs.com.

⚠ CAUTION

Sharp edges. Wear gloves when assembling your grill.

⚠ CAUTION

Read and follow all safety statements, assembly instructions, and use and care directions before attempting to assemble and cook.

⚠ INSTALLER OR ASSEMBLER/CONSUMER

This manual should be kept with the BBQ at all times.

⚠ WARNING

Failure to follow all of the Manufacturer's instructions could result in hazardous fires, explosions, property damage, or serious personal injury or even death.

Follow all leak check procedures carefully prior to operation of barbecue, even if grill was dealer assembled. Do not try to light this barbecue without reading the Lighting Instructions section of this manual.

⚠ DANGER

1. If you smell Gas:

- a. Shut off gas to the appliance
- b. Extinguish any open flame
- c. Open lid
- d. If odor continues, keep away from the appliance and immediately call your gas supplier or your fire department

2. Do not store or use gasoline or other flammable vapours and liquids in the vicinity of this or any other appliance.

3. An LP cylinder not connected for use shall not be stored in the vicinity of this or any other appliance.

4. Requires two people to complete the assembly process.

5. Beware of sharp edges.

THIS BARBECUE IS FOR OUTDOOR USE ONLY

CONTACT CALL CENTRE IF ANY PARTS ARE MISSING

1-877-707-5463

PARTS LIST (PROPANE) FOR 85-3014-8 (G51208)

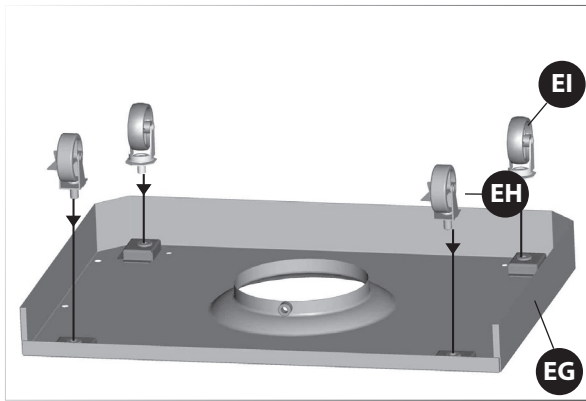
Item	Qty.	Description	Part No.	Item	Qty.	Description	Part No.
AA	1	Top Lid	G512-2900-01	CO	1	Upper Back Panel	G512-0045-01
AB	1	Lid Handle	G512-0001-01	CP	1	Heat Shield	G512-0026-01
AC	1	Lid Handle End Cap-Left	G617-0004-01				
AD	1	Lid Handle End Cap-Right	G617-0005-01	DA	1	Side Shelf Table- Left	G512-3900-01
AE	1	Logo Plate	G412-0001-01	DB	1	Side Shelf Fascia- Left	G617-0034-01
AF	1	Thermometer	G412-0003-01	DC1	1	Sear Zone Wind Shield	G617-0066-01
AG	2	Screw for Top Lid	G501-0005-01	DC2	1	Sear Zone Support Frame	G617-0058-01
AH	2	Lid Bumper	G508-0063-01	DD	1	Side Zone Burner	G617-5200-01
				DE	1	Electrode Set, Sear Zone	G610-0009-01
BA	1	Burner Box Assembly	G512-0200-01	DF1	1	Lid Sear Zone	G512-0030-01
BA1	1	Rotisserie Burner Brace	G512-0015-01	DF2	1	Lid Handle Sear Zone	G607-0040-01
BB	1	Upper Side Panel- Left	G617-0500-01	DG	1	Side Shelf Wind Shield	G512-0046-01
BC	1	Upper Side Panel- Right	G617-0600-01	DH	1	Cooking Grate Sear Zone	G617-0060-01
BD	2	Main Burner-A	G607-0700-A1	DI	1	Cooking Griddle Sear Zone	G617-0061-01
BE	1	Main Burner-B	G502-1800-A1	DJ	1	Side Shelf Table-Right	G512-3800-01
BF	1	Carryover Assembly	G502-0012-01	DK	1	Side Shelf Fascia-Right	G617-0026-01
BG	3	Flame Tamer	G617-0019-01				
BH	3	Cooking Grate, Burner Box	G512-0028-02	EA	1	Cart side panel-Left	G617-0700-01
BI	1	Warming Rack	G512-0004-01	EB	1	Cart Side Panel, Right	G617-0800-01
BJ	1	Rotisserie Burner	G617-2900-01	EC	1	Pillar, Left	G512-1600-01
BK1	1	Electrode Set, Rotisserie Burner	G411-0002-01	ED	1	Pillar, Right	G512-1700-01
BK2	1	Ground Wire, Rotisserie Burner	G411-0004-01	EE	2	Magnet Assembly	G501-0016-01
BK3	1	Wind Shield, Rotisserie	G617-0036-01	EF	1	Door Assembly	G512-5300-01
BL	1	Match Holder	G608-0019-01	EG	1	Bottom Shelf	G512-0900-01
				EH	2	Wheel with Lock	G401-0061-01
CA	1	Manifold Assembly with Coupling	G512-5400-01	EI	2	Wheel	G606-0027-01
CB	1	Regulator	G433-0034-01	EJ	1	Towel Bar	G511-0050-02
CC	1	Valve, Sideburner	G512-0040-01				
CD	1	Metal Hose, Sideburner	G608-0039-01				
CE1	1	Rotisseries Flexible Hose	G411-0013-01	F1	1	Hardware Pack	G512-B008-01
CE2	1	Rotisseries LP Orifice	G411-0013-02	F2	1	Instruction Manual	G512-M008-01
CF1	1	Electronic Igniter Assembly	G508-0075-01	F3	1	Safety & Care Manual	G412-M004-02
CF2	1	Electronic Ignition Button	G501-0072-01				
CG1	1	Electrode Set, Main Burner	G617-0017-01				
CG2	1	Ground Wire, Main Burners	G411-0004-01				
CH	3	Control Knob Assy	G412-4500-01				
CI	1	Rotisserie Knob Assy	G617-4200-01				
CJ	1	Series Logo	G512-0033-01				
CK	1	Control Panel	G512-0017-03				
CL	1	Front Brace	G512-0044-01				
CM	1	Grease Tray	G512-1000-01				
CN	1	Grease Cup	G416-0015-01				

PARTS LIST (NATURAL GAS) FOR 85-3015-6 (G51211)

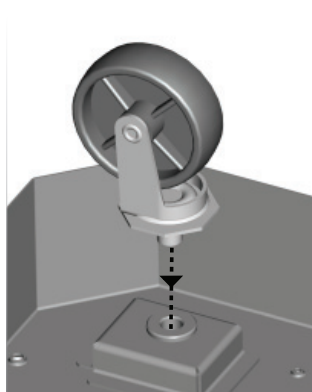
Item	Qty.	Description	Part No.	Item	Qty.	Description	Part No.
AA	1	Top Lid	G512-2900-01	CO	1	Upper Back Panel	G512-0045-01
AB	1	Lid Handle	G512-0001-01	CO	1	Heat Shield	G512-0026-01
AC	1	Lid Handle End Cap-Left	G617-0004-01				
AD	1	Lid Handle End Cap-Right	G617-0005-01	DA	1	Side Shelf Table- Left	G512-3900-01
AE	1	Logo Plate	G412-0001-01	DB	1	Side Shelf Fascia- Left	G617-0034-01
AF	1	Thermometer	G412-0003-01	DC1	1	Sear Zone Wind Shield	G617-0066-01
AG	2	Screw for Top Lid	G501-0005-01	DC2	1	Sear Zone Support Frame	G617-0058-01
AH	2	Lid Bumper	G508-0063-01	DD	1	Sear Zone Burner	G617-5200-01
				DE	1	Electrode Set, Sear Zone	G610-0009-01
BA	1	Burner Box Assembly	G512-0200-01	DF1	1	Lid Sear Zone	G512-0030-01
BA1	1	Rotisserie Burner Brace	G512-0015-01	DF2	1	Lid Handle Sear Zone	G607-0040-01
BB	1	Upper Side Panel- Left	G617-0500-01	DG	1	Side Shelf Wind Shield	G512-0046-01
BC	1	Upper Side Panel- Right	G617-0600-01	DH	1	Cooking Grate Sear Zone	G617-0060-01
BD	2	Main Burner-A	G607-0700-A1	DI	1	Cooking Griddle Sear Zone	G617-0061-01
BE	1	Main Burner-B	G502-1800-A1	DJ	1	Side Shelf Table-Right	G512-3800-01
BF	1	Carryover assembly	G502-0012-01	DK	1	Side Shelf Fascia-Right	G617-0026-01
BG	3	Flame Tamer	G617-0019-01				
BH	3	Cooking Grates	G512-0028-02	EA	1	Cart Side Panel-Left	G617-0700-01
BI	1	Warming Rack	G512-0004-01	EB	1	Cart Side Panel, Right	G617-0800-01
BJ	1	Rotisserie Burner	G617-2900-01	EC	1	Pillar, Left	G512-1600-01
BK1	1	Electrode Set, Rotisserie Burner	G411-0002-01	ED	1	Pillar, Right	G512-1700-01
BK2	1	Ground Wire, Rotisserie Burner	G411-0004-01	EE	2	Magnet Assembly	G501-0016-01
BK3	1	Wind Shield, Rotisserie	G617-0036-01	EF	1	Door Assembly	G512-5300-01
BL	1	Match Holder	G608-0019-01	EG	1	Bottom Shelf	G512-2500-01
				EH	2	Wheel with Lock	G401-0061-01
CA	1	Manifold Assembly with Coupling	G512-5700-01	EI	2	Wheel	G606-0027-01
CB	1	Natural Gas Hose	G501-0099-01	EJ	1	Towel Bar	G511-0050-02
CC	1	Valve, Sideburner	G512-0041-01				
CD	1	Metal Hose, Sideburner	G608-0039-01				
CE1	1	Rotisserie Flexible Hose	G601-0072-01	F1	1	Hardware Pack	G512-B008-01
CE2	1	Rotisserie LP Orifice	G601-0072-02	F2	1	Instruction Manual	G512-M008-01
CF1	1	Electronic Igniter Assembly	G508-0075-01	F3	1	Safe & Care Manual	G412-M004-02
CF2	1	Electronic Ignition Button	G501-0072-01				
CG1	1	Electrode Set, Main Burner	G617-0017-01				
CG2	1	Ground Wire, Main Burners	G411-0004-01				
CH	3	Control Knob Assy	G412-4500-01				
CI	1	Rotisserie Knob Assy	G617-4200-01				
CJ	1	Series Logo	G512-0033-01				
CK	1	Control Panel	G512-0017-03				
CL	1	Front Brace	G512-0044-01				
CM	1	Grease Tray	G512-1000-01				
CN	1	Grease Cup	G416-0015-01				

ASSEMBLY INSTRUCTIONS

1



Back view

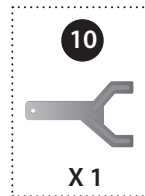


Close up

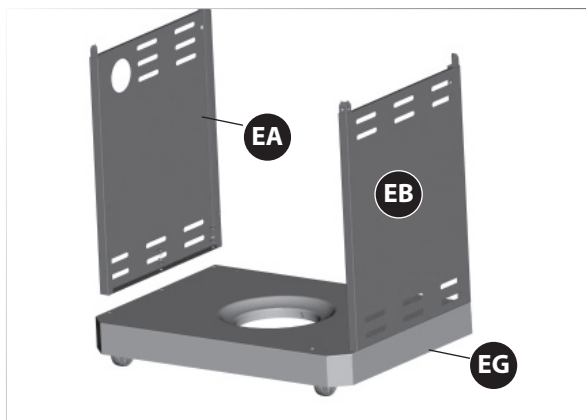
Separate the 2 different types of wheels, 2 locking wheels (EH) and 2 regular wheels (EI).

Attach the locking wheels (EH) to the back of the bottom shelf (EG) and the regular wheels (EI) to the front of the bottom shelf (EG).

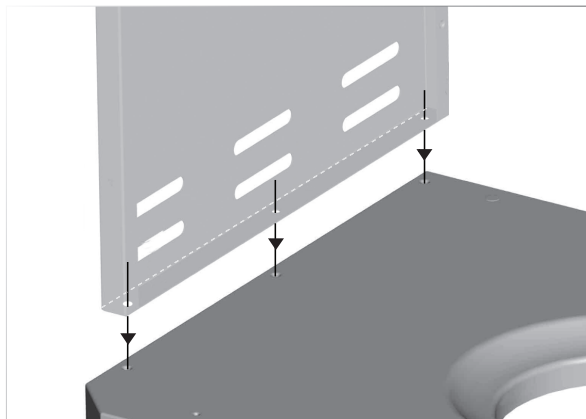
To secure the 4 wheels, hand tighten first. Then, tighten further using the wrench provided in the hardware pack.



2



Front view

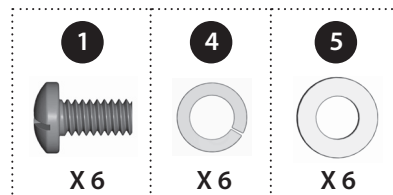


Close up

Ensure that the wheels are firmly locked in the "ON" position before continuing.

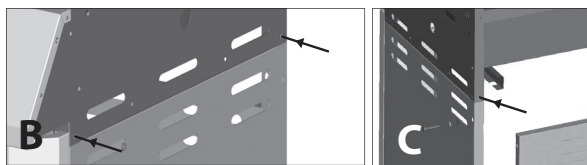
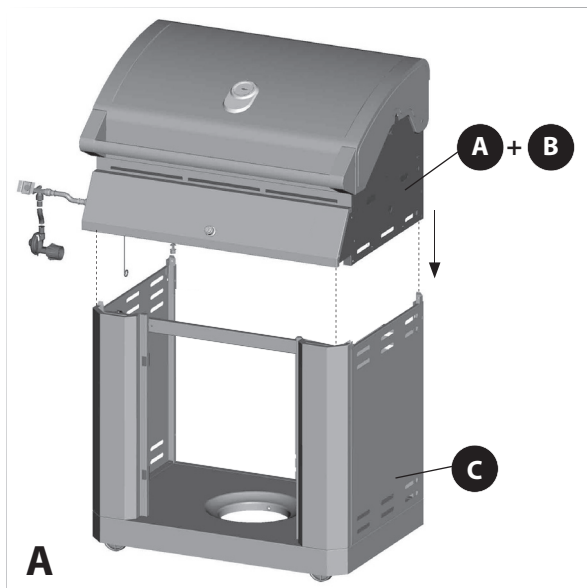
Assemble the left side panel (EA) and the right side panel (EB) to the bottom shelf (EG).

YOU WILL NEED:



ASSEMBLY INSTRUCTIONS

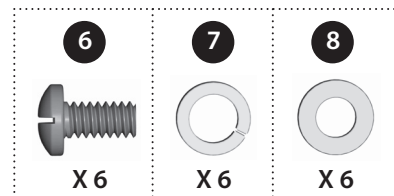
5



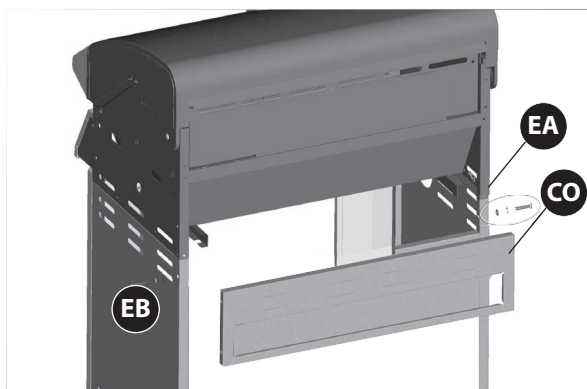
THIS STEP REQUIRES 3 OR MORE PEOPLE. DO NOT ATTEMPT ALONE. EXTREMELY HEAVY.

- Position the top lid and burner box assembly (A and B) onto cart assembly (C) as shown.
- Use the hardware to connect both parts, on the left and right sides, at the three points indicated in figure B and C.

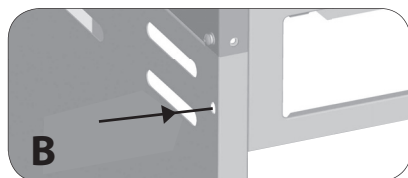
YOU WILL NEED:



6



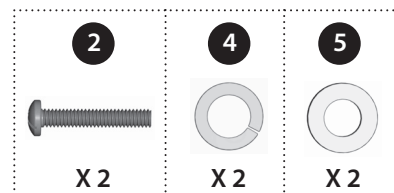
Back view



Attach the upper back panel (CO) to both the left and right side panels (EA and EB).

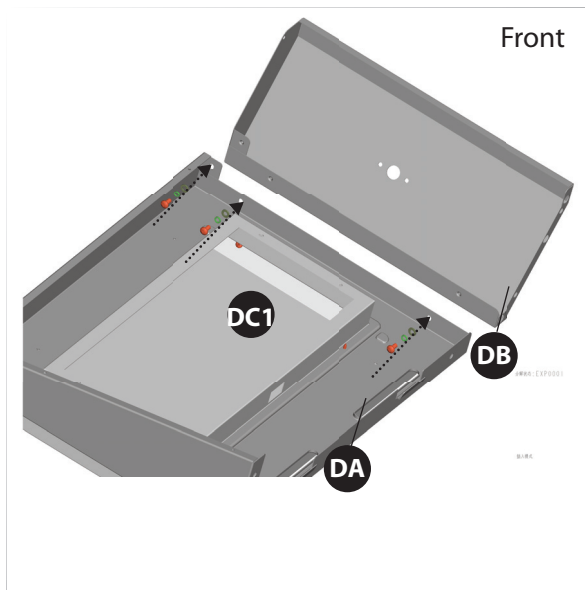
Only install hardware in the bottom portion of the back panel (CO), as shown in figure B.

YOU WILL NEED:



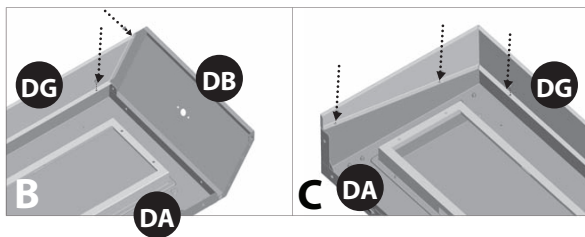
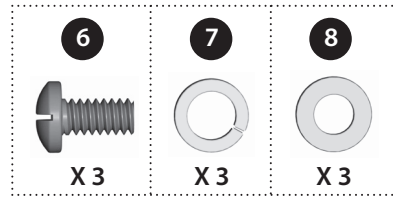
ASSEMBLY INSTRUCTIONS

9



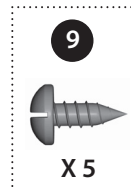
a. Attach the left shelf fascia (DB) to the left side shelf table (DA).

YOU WILL NEED:

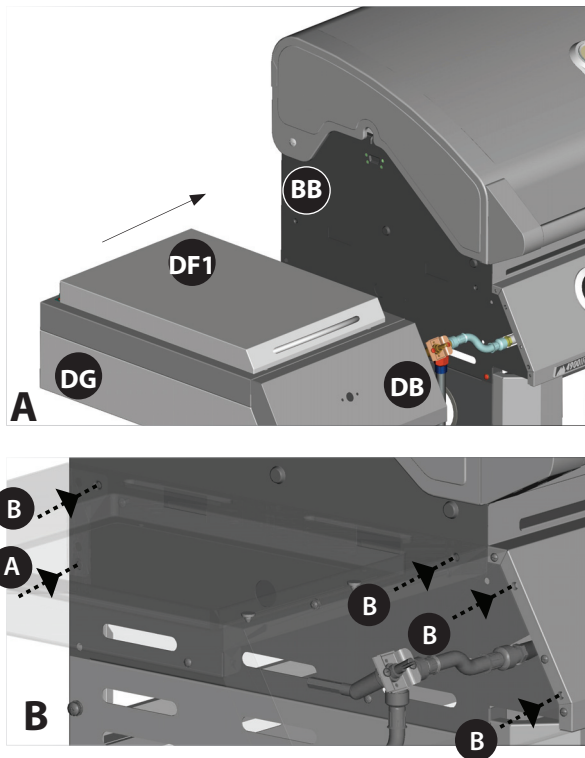


b. Assemble the Side shelf wind shield (DG) to the left side shelf table (DA), and the left side shelf fascia (DB), as shown in Figure B and C.

YOU WILL NEED:



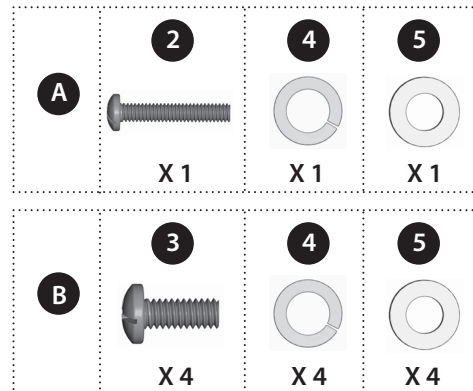
10



TIP: To position the left side shelf assembly, insert the two hooks on the side shelf assembly into the two openings located on the upper left side panel (BB).

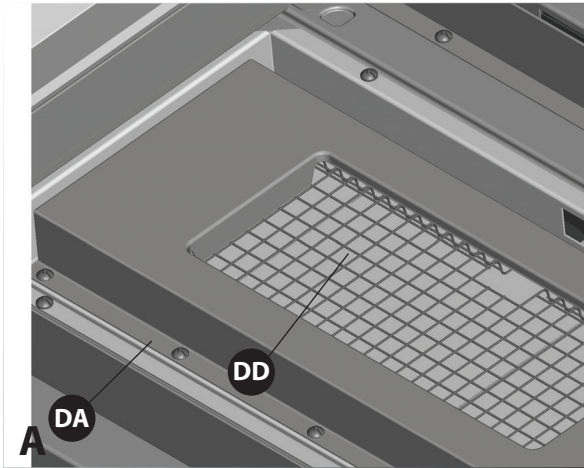
Assemble the left side shelf assembly to the cart assembly, as shown in figure B.

YOU WILL NEED:

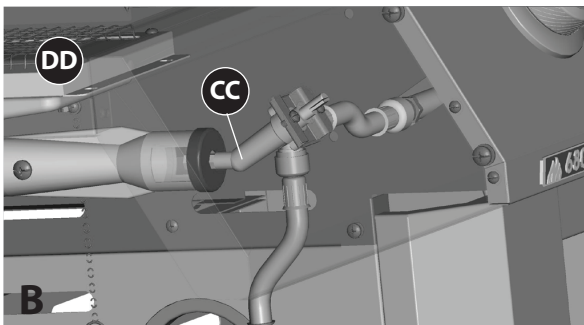


ASSEMBLY INSTRUCTIONS

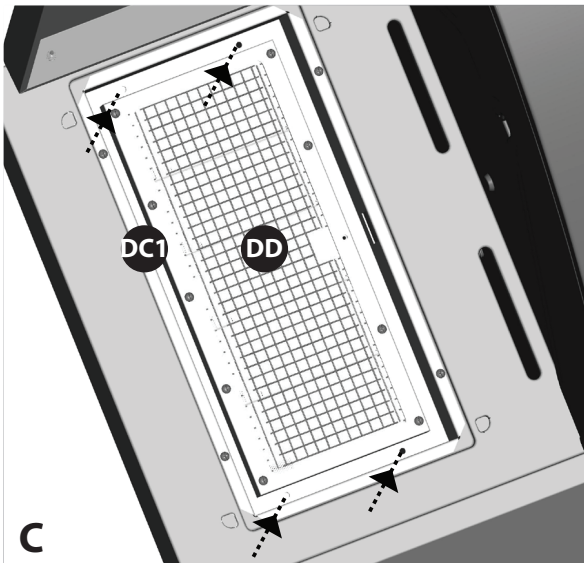
12



a. Position the Sear Zone burner (DD) through the opening in the left side shelf (DA).

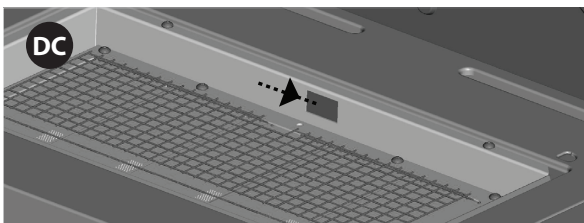
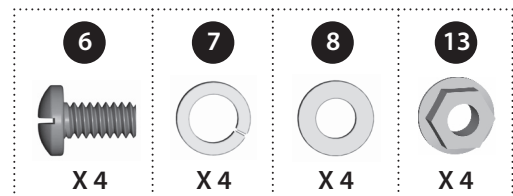


b. Make sure that the Sear Zone burner (DD) engages the Sear Zone burner valve (CC), gas jet, as shown in figure B.



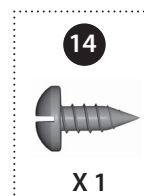
c. Assemble the Sear Zone burner (DD) to the Sear Zone support frame (DC1), at the 4 points indicated in figure C.

YOU WILL NEED:



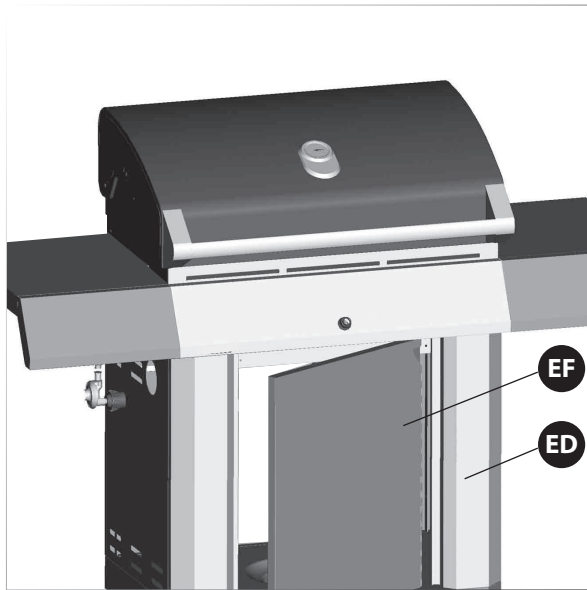
d. Feed the Sear Zone electrode wire (DE) from underneath the Sear Zone burner (DD), through the small opening on the right side of the Sear Zone support frame (DC1). Align and assemble the electrode using the self tapping screw provided, as shown in figure D.

YOU WILL NEED:



ASSEMBLY INSTRUCTIONS

14



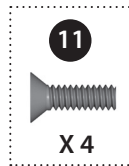
TIP: Before attempting to assemble the door (EF) to the right pillar (ED), locate the two clasps on the door hinge. Next, locate the two small openings on the right side pillar (ED).

a. Hold the door (EF) perpendicular to the BBQ Cart. Align the two clasps on the door hinge (EF), with the two holes on the right side pillar (ED). Once aligned, push the two clasps into the openings, and immediately push down to lock clasps in place.



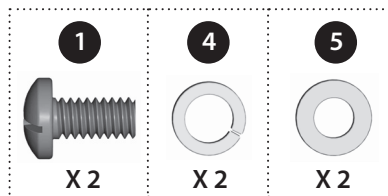
b. Assemble the door (EF) to the right pillar (ED), as shown in figure B, using the screws provided.

YOU WILL NEED:



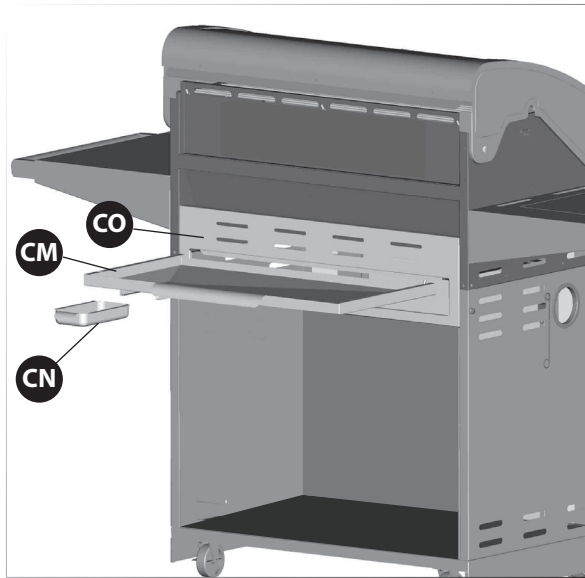
b. Assemble the towel bar (EJ) onto door (EF).

YOU WILL NEED:



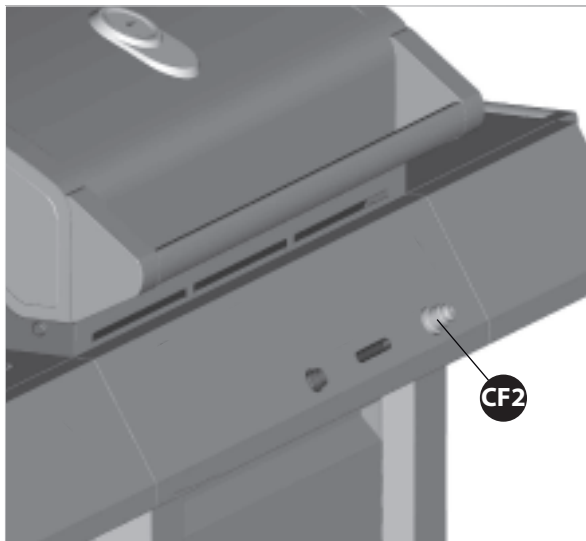
ASSEMBLY INSTRUCTIONS

17



- Insert the grease tray (CM) into the opening in the upper back panel (CO), making sure to engage tracks located under burner box.
- Place the grease cup (CN) onto the tracks, located on the underside of the grease tray (CM).

18



Unscrew the electronic ignitor button (CF2) and insert one AA battery into the electronic igniter battery compartment, with the positive end facing outward.

*** Battery not included.**