

This Owner's Manual is provided and hosted by [Appliance Factory Parts](#).



# BROAN QTXE150 FAN Owner's Manual

[Shop genuine replacement parts for BROAN QTXE150  
FAN](#)



[Find Your BROAN HVAC Parts - Select From 1309 Models](#)

----- Manual continues below -----

# BROAN<sup>®</sup>

MOD

## QTXE SERIES

To register the  
[www.broan.com](http://www.broan.com)

## FAN / LIGHT / NIGHT LIGHT

### READ AND SAVE THESE INSTRUCTIONS

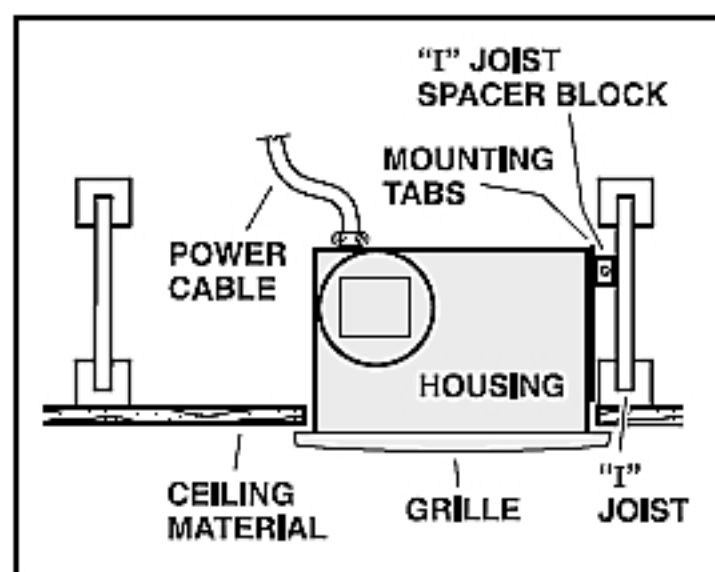
**WARNING**



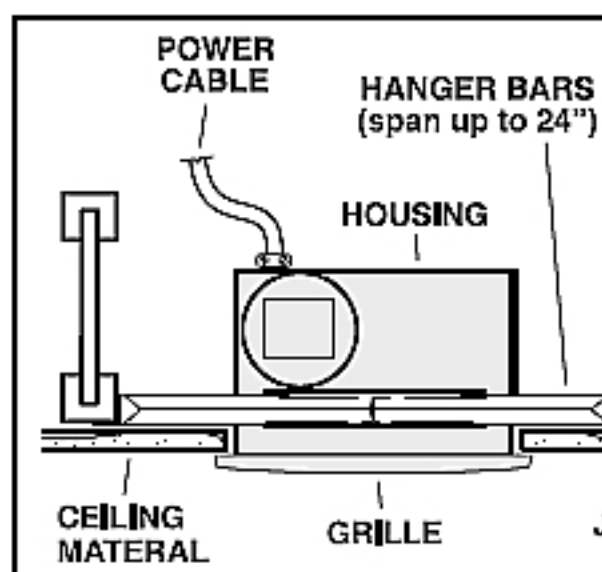
**TO REDUCE THE RISK OF FIRE, ELECTRIC SHOCK, OR INJURY TO PERSONS, OBSERVE THE FOLLOWING:**

1. Use this unit only in the manner intended by the manufacturer. If you have questions, contact the manufacturer at the address or telephone number listed in the warranty.
2. Before servicing or cleaning unit, switch power off at service panel and lock the service disconnecting means to prevent power from being switched on accidentally. When the service disconnecting means cannot be locked, securely fasten a prominent warning device, such as a tag, to the service panel.
3. Installation work and electrical wiring must be done by a qualified person(s) in accordance with all applicable codes and standards, including fire-rated construction codes and standards.
4. Sufficient air is needed for proper combustion and exhausting of gases through the flue (chimney) of fuel burning equipment to prevent backdrafting. Follow the heating equipment

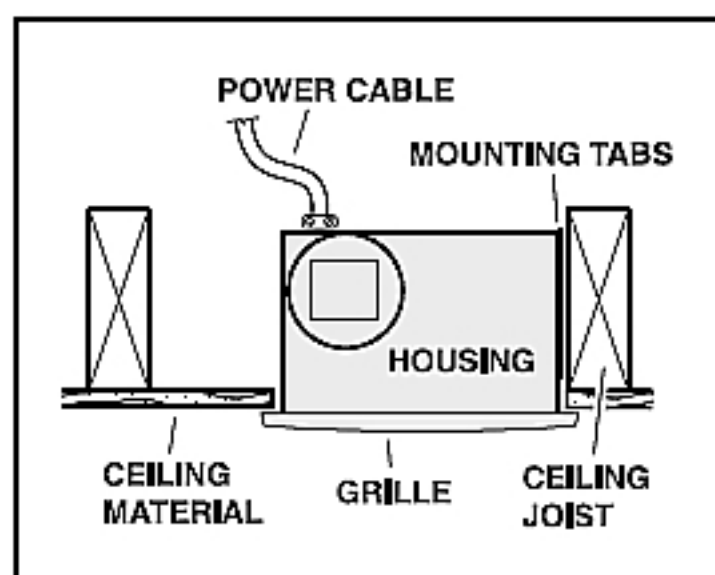
## TYPICAL INSTALLATIONS



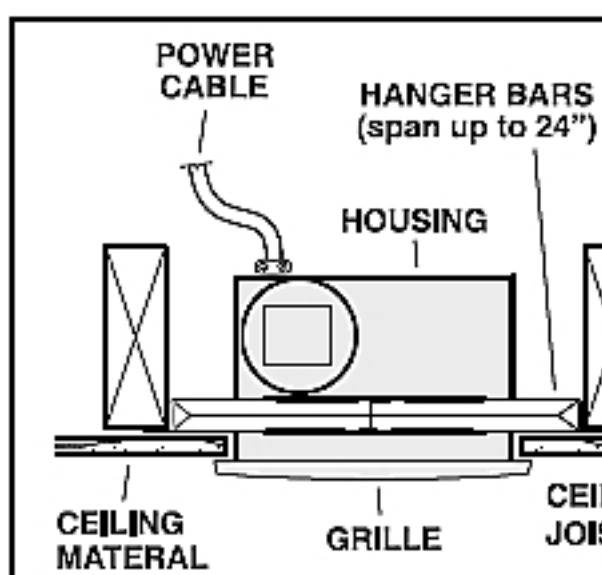
Housing mounted to joists.



Housing mounted anywhere between joists using hanger bars.



Housing mounted to joists.



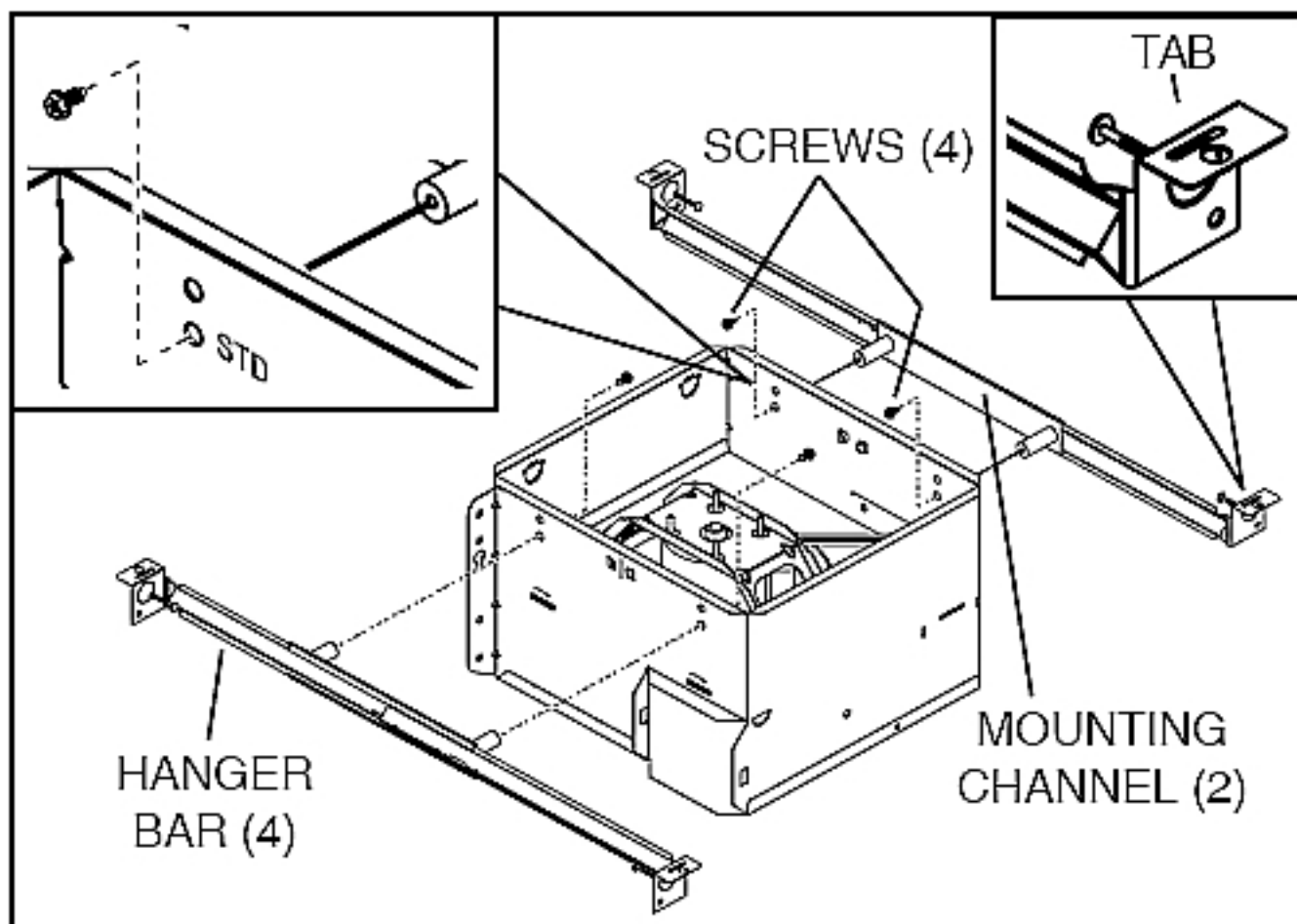
Housing mounted anywhere between joists using hanger bars.

# BROAN<sup>®</sup>

MOD

## 1b. Mount housing anywhere between trusses, joists, or I-joists using hanger bars.

Sliding hanger bars are provided to allow for accurate positioning of housing anywhere between framing. They can be used on all types of framing (I-joist, standard joist, and truss construction) and span up to 24”.



Attach the MOUNTING CHANNELS to the housing using the SCREWS supplied. Make sure TABS face “up” as shown. Use the set of channel mounting holes (marked “STD”) to mount the housing flush with the bottom of the drywall. Use the other set of holes (not marked) to mount the housing flush with the top of the drywall.

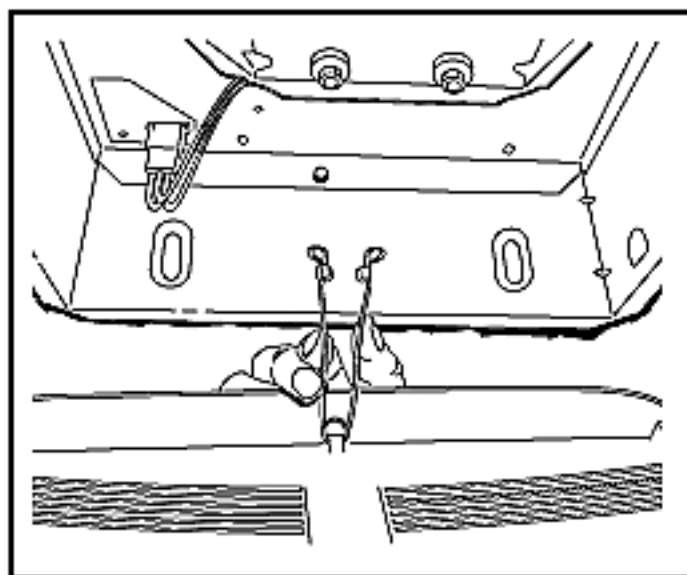
## INSTALL GRILLE

### 5. Finish ceiling.

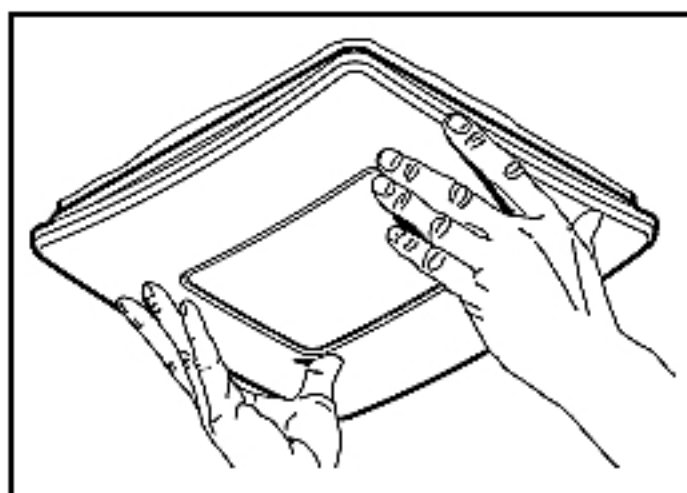
Install ceiling material. Cut out around housing.

### 6. Attach grille to housing.

Squeeze grille springs and insert them into slots on each side of housing.



### 7. Push grille against ceiling.



### 8. Remove



1

15

