

This Owner's Manual is provided and hosted by [Appliance Factory Parts](#).



BROAN QTRE090 FL Owner's Manual

[Shop genuine replacement parts for BROAN QTRE090
FL](#)



[Find Your BROAN HVAC Parts - Select From 1309 Models](#)

----- Manual continues below -----

BROAN®

MODEL QTRE090FL FAN / LIGHT / NIGHT LIGHT

READ AND SAVE THIS

WARNING

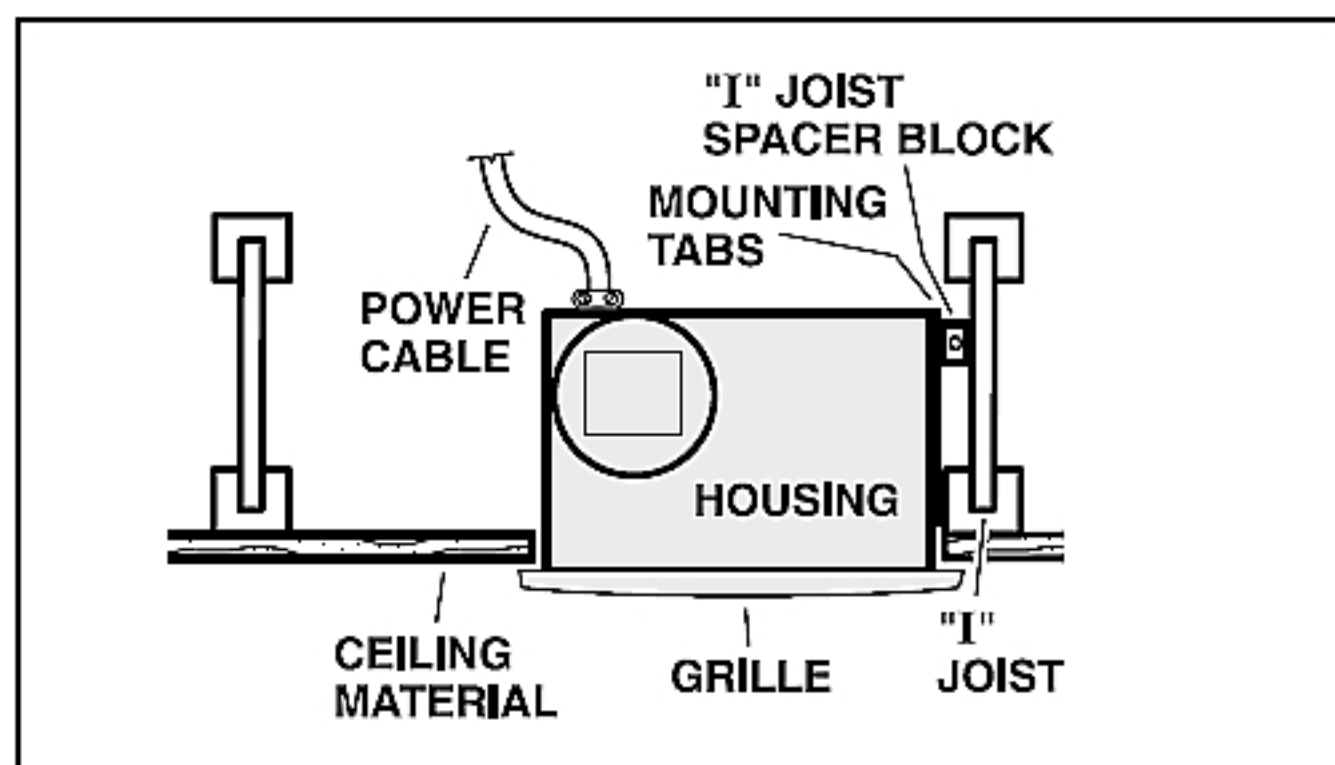


TO REDUCE THE RISK OF FIRE, ELECTRIC SHOCK, OR INJURY TO PERSONS, OBSERVE THE FOLLOWING:

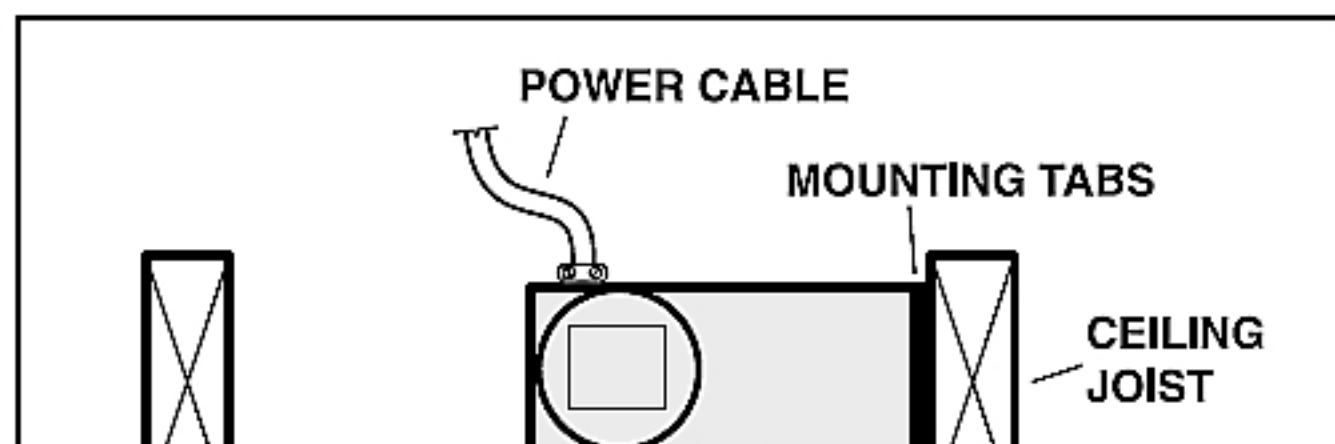
1. Use this unit only in the manner intended by the manufacturer. If you have questions, contact the manufacturer at the address or telephone number listed in the warranty.
2. Before servicing or cleaning unit, switch power off at service panel and lock the service disconnecting means to prevent power from being switched on accidentally. When the service disconnecting means cannot be locked, securely fasten a prominent warning device, such as a tag, to the service panel.
3. Installation work and electrical wiring must be done by a qualified person(s) in accordance with all applicable codes and standards, including fire-rated construction codes and standards.
4. Sufficient air is needed for proper combustion and exhausting of gases through the flue (chimney) of fuel burning equipment to prevent backdrafting. Follow the heating equipment

BROAN®

TYPICAL INSTALLATIONS



Housing mounted to I-joists.
Use I-joist spacer block (provided).

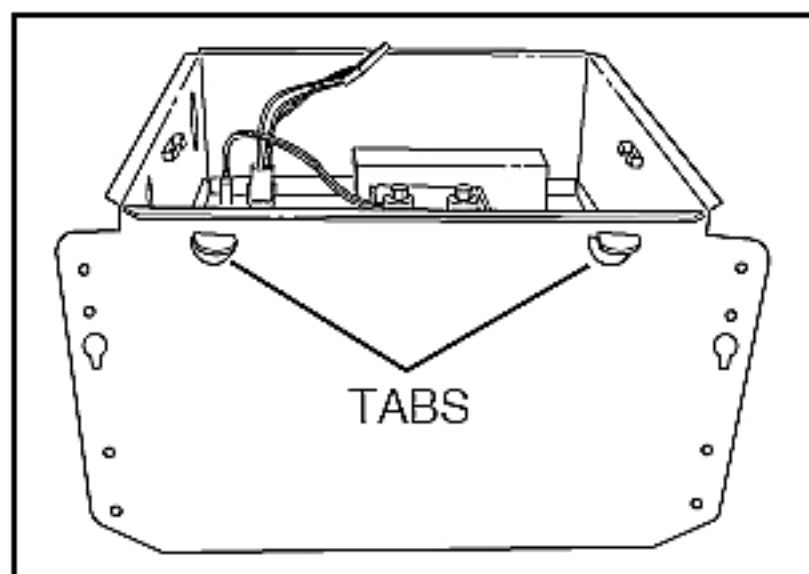


BROAN[®]

INSTALL HOUSING & DUCT

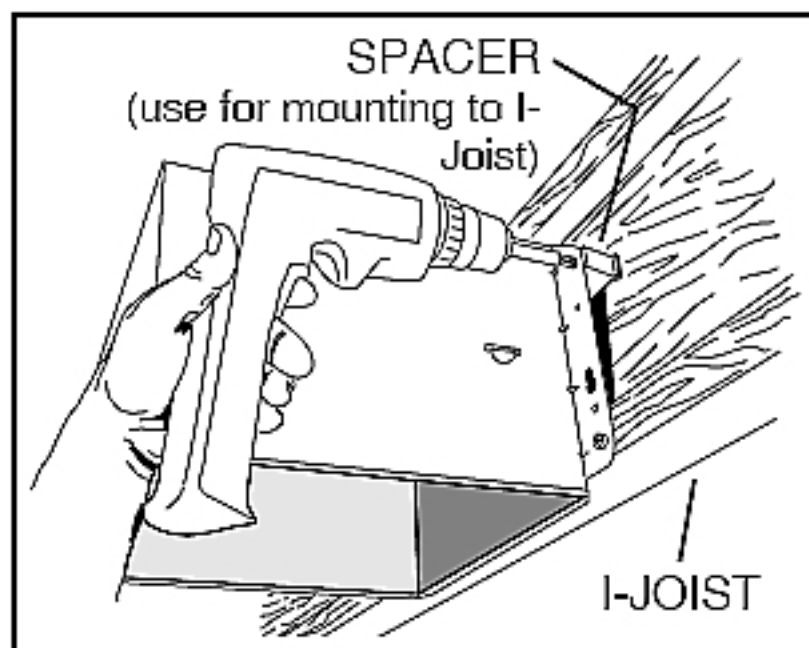
1. Bend housing tabs.

Use a pliers to bend housing **TABS** out to 90°.



2. Mount housing to joist.

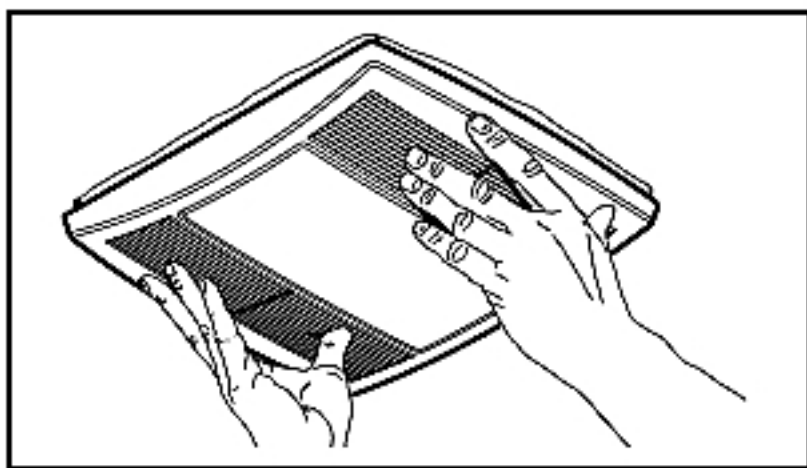
Hold housing in place so that the housing tabs contact the bottom of the joist. The housing mounts with four (4) screws or



nails. Screw or nail housing to joist through lowest holes in each mounting flange, then through highest holes. NOTE: Mounting to **I-JOIST** (shown) requires use of **SPACERS** (included) between the highest hole of each mounting

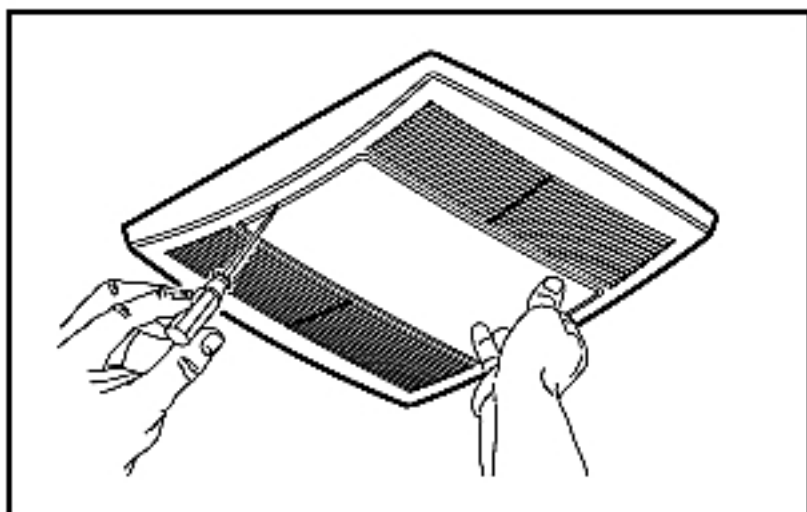
BROAN®

- 8. Push grille against ceiling.**



- 9. Remove light lens.**

Carefully insert a small flat-blade screwdriver between grille and lens. Pry lens out.



- 10. Install light bulbs.**

Fluorescent bulb supplied.

Purchase a 4W incandescent night light bulb.

Insert bulbs into their sockets. Replace lens.

