

This Owner's Manual is provided and hosted by [Appliance Factory Parts](#).



BROAN QTR100 Owner's Manual

[Shop genuine replacement parts for BROAN QTR100](#)



[Find Your BROAN HVAC Parts - Select From 1309 Models](#)

----- Manual continues below -----

BROAN®

MODEL QTR100 VENTILATION FAN

READ AND SAVE THESE

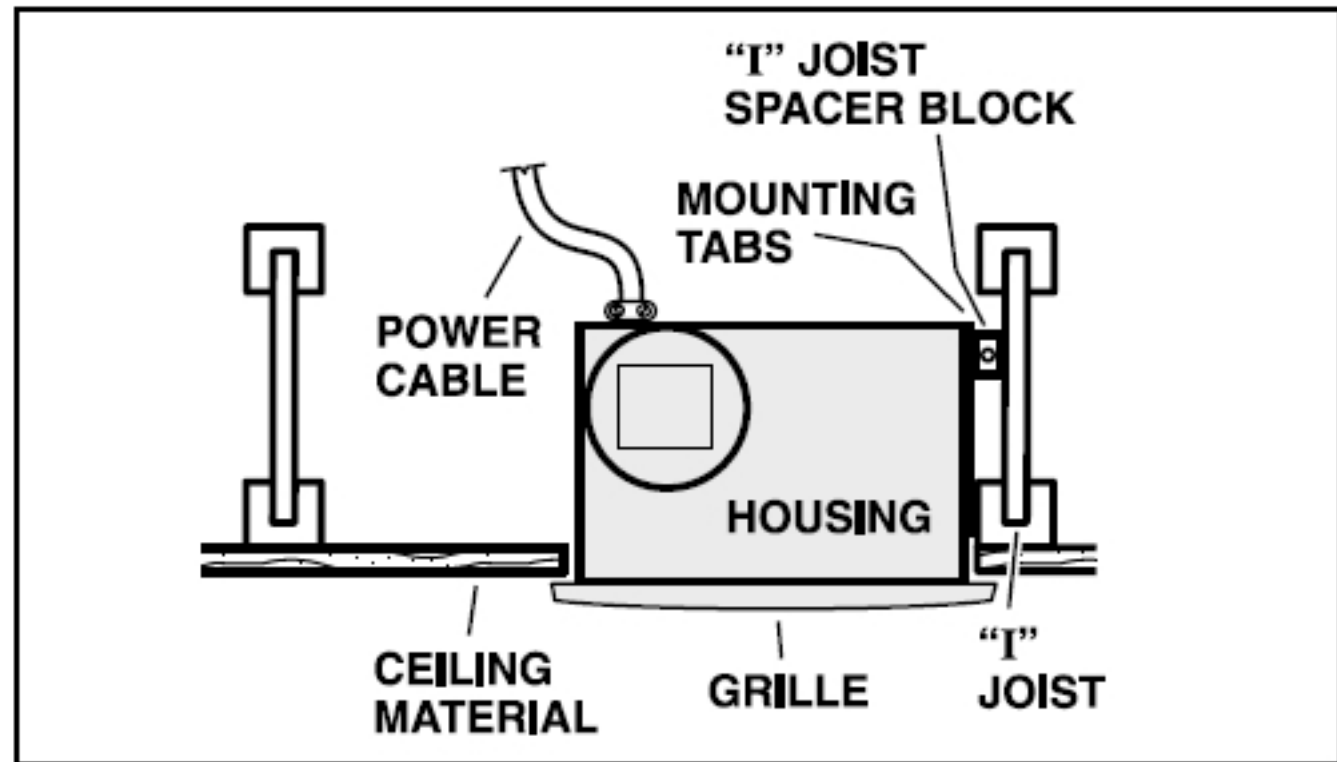
WARNING



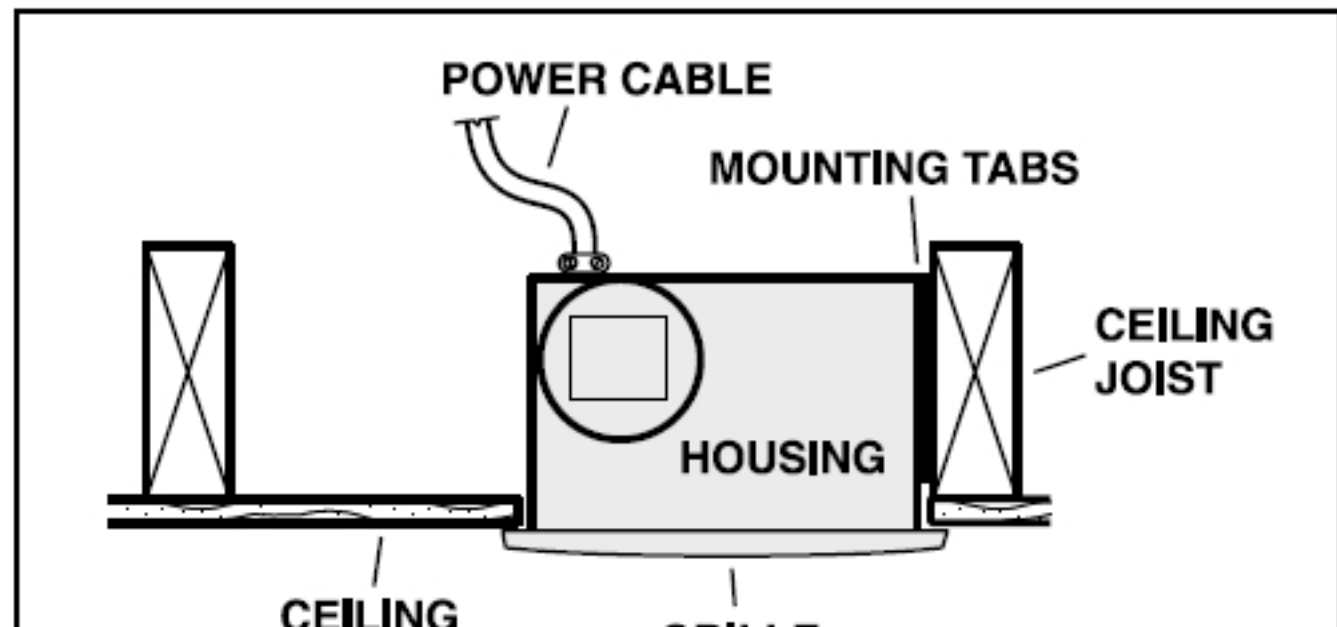
TO REDUCE THE RISK OF FIRE, ELECTRIC SHOCK, OR INJURY TO PERSONS, OBSERVE THE FOLLOWING:

1. Use this unit only in the manner intended by the manufacturer. If you have questions, contact the manufacturer at the address or telephone number listed in the warranty.
2. Before servicing or cleaning unit, switch power off at service panel and lock the service disconnecting means to prevent power from being switched on accidentally. When the service disconnecting means cannot be locked, securely fasten a prominent warning device, such as a tag, to the service panel.
3. Installation work and electrical wiring must be done by a qualified person(s) in accordance with all applicable codes and standards, including fire-rated construction codes and standards.
4. Sufficient air is needed for proper combustion and exhausting of gases through the flue (chimney) of fuel burning equipment to prevent backdrafting. Follow the heating equipment manufacturer's guideline and safety standards such as those published by the National Fire Protection Association (NFPA), and the American Society for Heating, Refrigeration and Air Conditioning Engineers (ASHRAE).

TYPICAL INSTALLATIONS



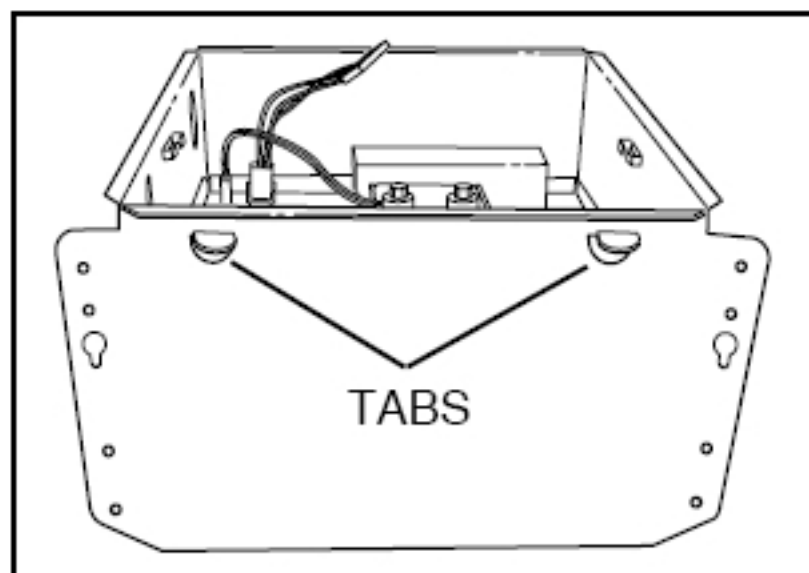
Housing mounted to I-joists.
Use I-joist spacer block (provided).



INSTALL HOUSING & DUCT

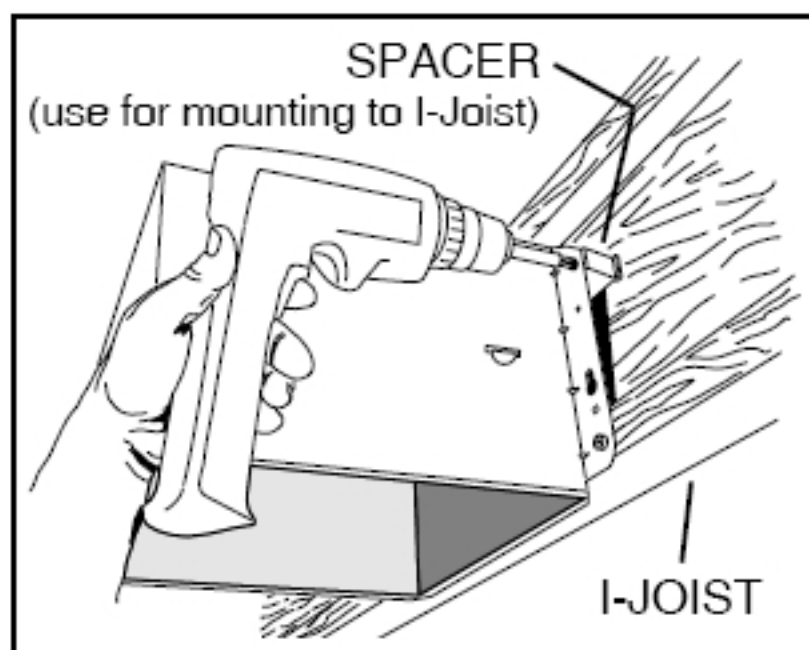
1. Bend housing tabs.

Use a pliers to bend housing **TABS** out to 90°.



2. Mount housing to joist.

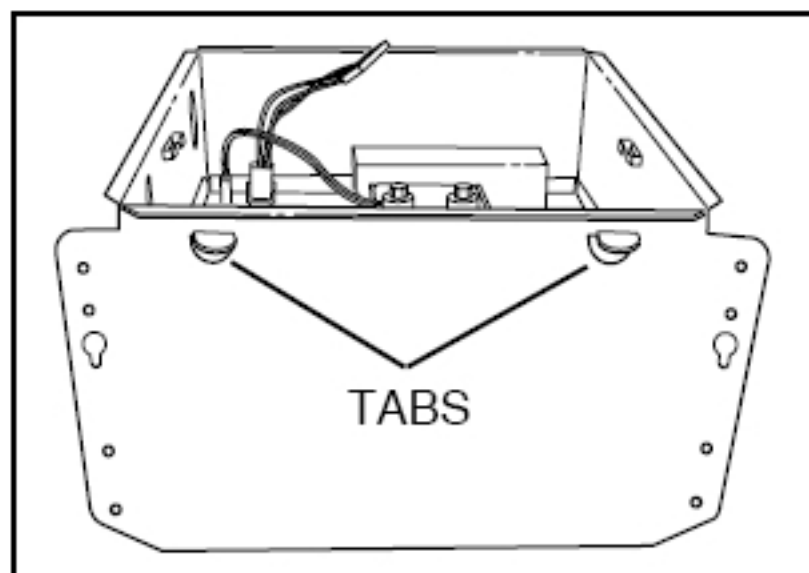
Hold housing in place so that the housing tabs contact the bottom of the joist. The housing mounts with four (4) screws or nails. Screw or nail housing to joist through lowest holes in each mounting flange, then through highest holes. **NOTE:** Mounting to **I-JOIST** (shown) requires use of **SPACERS** (included) between the highest hole of each mounting flange and the I-joist.



INSTALL HOUSING & DUCT

1. Bend housing tabs.

Use a pliers to bend housing **TABS** out to 90°.



2. Mount housing to joist.

Hold housing in place so that the housing tabs contact the bottom of the joist. The housing mounts with four (4) screws or nails. Screw or nail housing to joist through lowest holes in each mounting flange, then through highest holes. NOTE: Mounting to **I-JOIST** (shown) requires use of **SPACERS** (included) between the highest hole of each mounting flange and the I-joist.

