

This Owner's Manual is provided and hosted by [Appliance Factory Parts](#).



BROAN 696 Owner's Manual

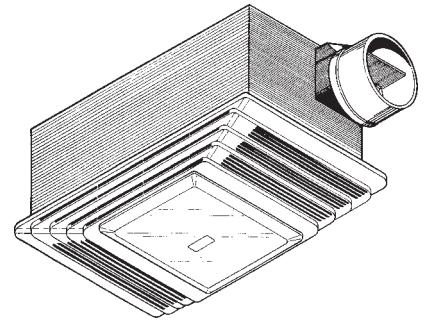
[Shop genuine replacement parts for BROAN 696](#)



[Find Your BROAN HVAC Parts - Select From 1309 Models](#)

----- Manual continues below -----

MODELS HFL695 & 696 COMBINATION UNITS



Quiet combination units, built with high performance blowers, acoustic insulation, and attractive styling.

FEATURES

GRILLE:

- White polymeric grille
- Directional vanes for heat and exhaust
- Snap-in light diffusing lens for 100W light

VENTILATOR:

- Resilient anti-vibration mounts
- Plug-in, permanently lubricated motor
- Low sound, high performance blower wheel

HEATER (HFL695 Only):

- 1300 watts, with metal blower wheel for efficient, even heating
- Plug-in, permanently lubricated motor - functions independent of ventilator

HOUSING:

- ½" acoustic insulation
- Adjustable mounting brackets up to 24"
- Polymeric damper/duct connector with 2" long tapered sleeve and no metallic clatter
- Compact 23 gage steel housing finished with electrically-bonded epoxy paint

NOTE: For installation in ceilings up to 12/12 pitch

- Suitable for use in insulated ceilings (Type I.C.)
- Use supply wiring rated for at least 90°C.

CONTROLS: Designed by Broan for use with this product (purchase separately)

- Model 57V (Ivory) / 57W (White) Electronic Variable Speed Control
- Model 59V (Ivory) / 59W (White) 60-Minute Time Control
- Model 61V (Ivory) / 61W (White) 15-Minute Time Control
- Model 62V (Ivory) / 62W (White) 15-Minute Time Control with Two-Rocker Switch

- Model 63V (Ivory) / 63W (White) 60-Minute Time Control with Single-Rocker Switch
- Model 64V Fan/Light Delay-Off Control
- Model 65V (Ivory) / 65W (White) Three Function Control (Brass Finish Metal Wall Plate)
- Model 66V (Ivory) / 66W (White) Three Function Control
- Model 67V (Ivory) / 67W (White) Three Function Control (Chrome Finish Metal Wall Plate)
- Model 68V (Ivory) / 68W (White) Two Function Control

TYPICAL SPECIFICATION

Combination unit shall be Broan Model HFL695 (Broan Model 696).

Unit shall have steel housing finished with electrically-bonded epoxy and insulated with at least ½" of acoustical insulation. Housing shall have adjustable mounting brackets.

Unit shall have directional vanes for heat and exhaust and must be rated to handle a 100W bulb.

Fan, heater and light shall be separately controllable. Motors shall be permanently lubricated and mounted with resilient anti-vibration mounts. RPM not to exceed number listed for each model.

Air delivery shall be no less and sound levels no greater than listed for each model. All air and sound ratings shall be certified by AMCA and/or HVI. Unit to be U.L. listed. Model HFL695 and 696 suitable for use in insulated ceilings. (Type I.C.).



"Broan-NuTone LLC certifies that the models shown herein are licensed to bear the AMCA Seal. The ratings shown are based on tests and procedures performed in accordance with AMCA Publication 211 (and AMCA Publication 311 if sound is also certified) and comply with the requirements of the AMCA Certified Ratings Program."



Broan-NuTone LLC, 926 West State Street, Hartford, WI 53027 (1-800-637-1453)

REFERENCE	QTY.	REMARKS	Project
			Location
			Architect
			Engineer
			Contractor
			Submitted by Date

PERFORMANCE RATINGS - MODELS HFL695 & 696

AMCA LICENSED PERFORMANCE

Model No.	Sones @ 0.0" S.P.	CFM @ Static Pressure (Ps - Inches of H ₂ O)					Volts	Total Watts	RPM	Duct Size
		0.0	0.1	.125	.250	.375				
HFL695	5.1	114	104	102	89	67	120	90†	1550	4" Round
696	5.1	115	106	103	90	70	120	90†	1550	4" Round

The performances shown are with inlet grille, backdraft damper and outlet duct. RPM shown is nominal and the performance is based on actual speed of test. The sound ratings shown are loudness values in fan sones at 5' (1.5m) in a hemispherical free field calculated per AMCA Std. 301. Values shown are for installation Type B: free inlet fan sone levels. †Fan only.

SONES

Model Number	HVI Sones @ 0.1" S.P.**	AMCA Sones @ 0.0" S.P.**
HFL695	4.5	5.1
696	4.5	5.1

** There is difference between sone values certified by HVI for residential use and by AMCA for commercial/industrial use. Exact comparison of these values is not possible. This difference is mainly due to procedures used to convert measured sound to perceived sound. ANSI S3.4, used by both HVI and AMCA, specifies a procedure for calculating loudness as perceived by a typical listener under specific conditions. HVI establishes values at a distance of 5 feet from the fan in a "spherical free field"; AMCA establishes values at a distance of 5 feet in a "hemispherical free field". HVI and AMCA have different rules for rounding sone values.

HVI PERFORMANCE

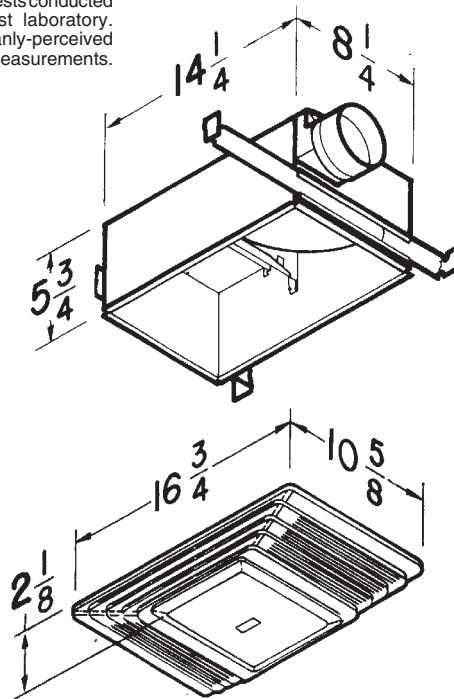
MODEL NUMBER	SONES	CFM @0.1" Ps
HFL695	4.5	100
696	4.5	100



HVI-2100 CERTIFIED RATINGS comply with new testing technologies and procedures prescribed by the Home Ventilating Institute, for off-the-shelf products, as they are available to consumers. Product performance is rated at 0.1 in. static pressure, based on tests conducted in AMCA's state-of-the-art test laboratory. Sones are a measure of humanly-perceived loudness, based on laboratory measurements.

WEIGHT

MODEL NO.	SHIPPING WT.
HFL695	14.2 LBS.
696	10.7 LBS.



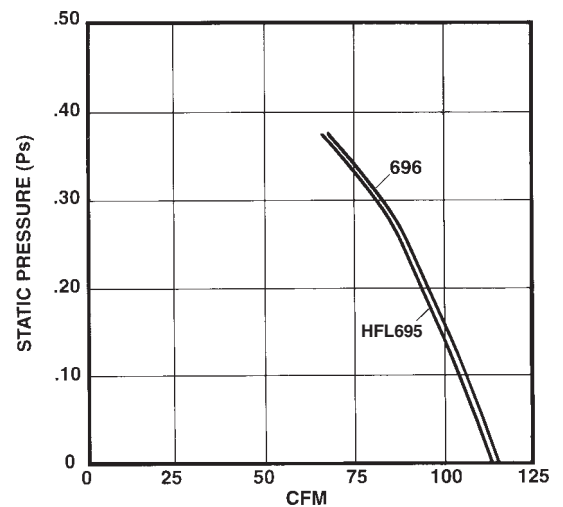
AMPS

MODEL NUMBER	AMPS*
HFL695	15
696	2.0

*Total Connected Load



"Broan-NuTone LLC certifies that the models shown herein are licensed to bear the AMCA Seal. The ratings shown are based on tests and procedures performed in accordance with AMCA Publication 211 (and AMCA Publication 311 if sound is also certified) and comply with the requirements of the AMCA Certified Ratings Program."



Broan-NuTone LLC, 926 West State Street, Hartford, WI 53027 (1-800-637-1453)

