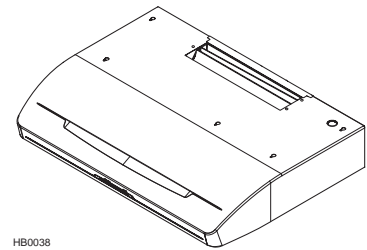


E661 RANGE HOOD



HB0038

The Broan Elite E661 model is part of our new generation of range hoods: stylish, powerful, and most of all, quieter than ever.

FEATURES

- Sleek, classic smooth shell design makes cleaning easy
- Created to work over high BTU residential grade cooking equipment
- Colors available: White or Black durable powder-coated paint finishes for 30" and 36" widths, and Stainless Steel for 30", 36" or 42" widths
- Dishwasher safe aluminum filters with metal latch
- Dual 50-Watt halogen lights focus toward the center for brilliant full cooktop lighting (MR16 GU10 bulbs not included)
- New High Flow centrifugal blower wheel provides greater performance and quieter operation
- Flush-mounted electro-mechanical controls with Amber-Yellow LED status lights
- 5-minute off delay
- Broan Heat Sentry - automatically turns blower to third speed when excess cooking heat is detected
- Versatile design allows for a 3¼" x 14" horizontal or vertical discharge

SPECIFICATIONS

Volts	120
HZ	60
Amps	2.4
CFM (high)	300*
Sones (norm.)	<0.3
Sones (high)	3.0*
Controls	3-speed electronic with memory, plus boost mode.
Halogen Flood Light	MR16 GU10†
Broan Heat Sentry	Yes

* 550 cfm & 8.5 sonos in boost mode.

†2 bulbs req. (not included).

TYPICAL SPECIFICATION

Range hood shall be Broan Elite E661.

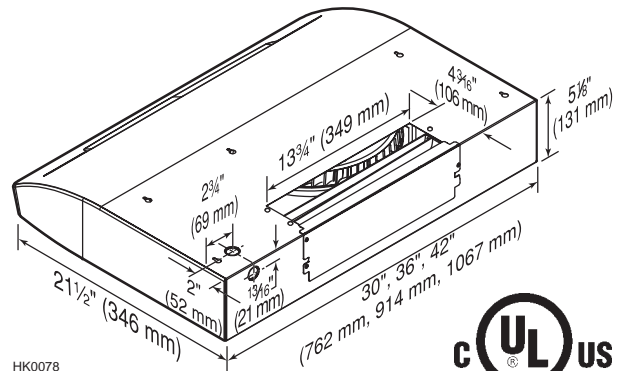
Unit will have all over smooth design, with no sharp edges. Finish to be powder-coated paint (brushed finish stainless steel). It must have a fully enclosed stainless steel bottom and full aluminum filters.

Hood discharge to be 3¼" x 14", horizontal or vertical.

Range hood to have a centrifugal blower and twin, 50-watt (max.) halogen flood max. Blower and light shall be operated using a specially-designed, 3-speed control with boost, memorizes last setting, with 5-minute delayed "off".

Air delivery shall be no less than 550 cfm. Sound level to be no greater than 0.3 sonos/110 cfm - 3.0 sonos/300 cfm - 8.5 sonos/550 cfm (boost mode).

Air and sound ratings to be certified by HVI. Unit shall be U.L. and cU.L. listed.



HK0078



HVI-2100 CERTIFIED RATINGS comply with the new testing technologies and procedures prescribed by the Home Ventilation Institute, for off-the-shelf products, as they are available to consumers. Product performance is rated at 0.1 in. static pressure, based on tests conducted in AMCA's state-of-the-art laboratory. Sonos are a measure of humanly produced loudness, based on laboratory measurements.

Broan-NuTone LLC, 926 West State Street, Hartford, WI 53027 (1-800-637-1453)

Broan-NuTone Canada, Inc., 1140 Tristar Drive, Mississauga, Ontario, L5T 1H9 (1-888-882-7626)

REFERENCE	QTY.	REMARKS	Project
			Location
			Architect
			Engineer
			Contractor
			Submitted by
			Date

BROAN ELITE E661 HOOD SYSTEM

