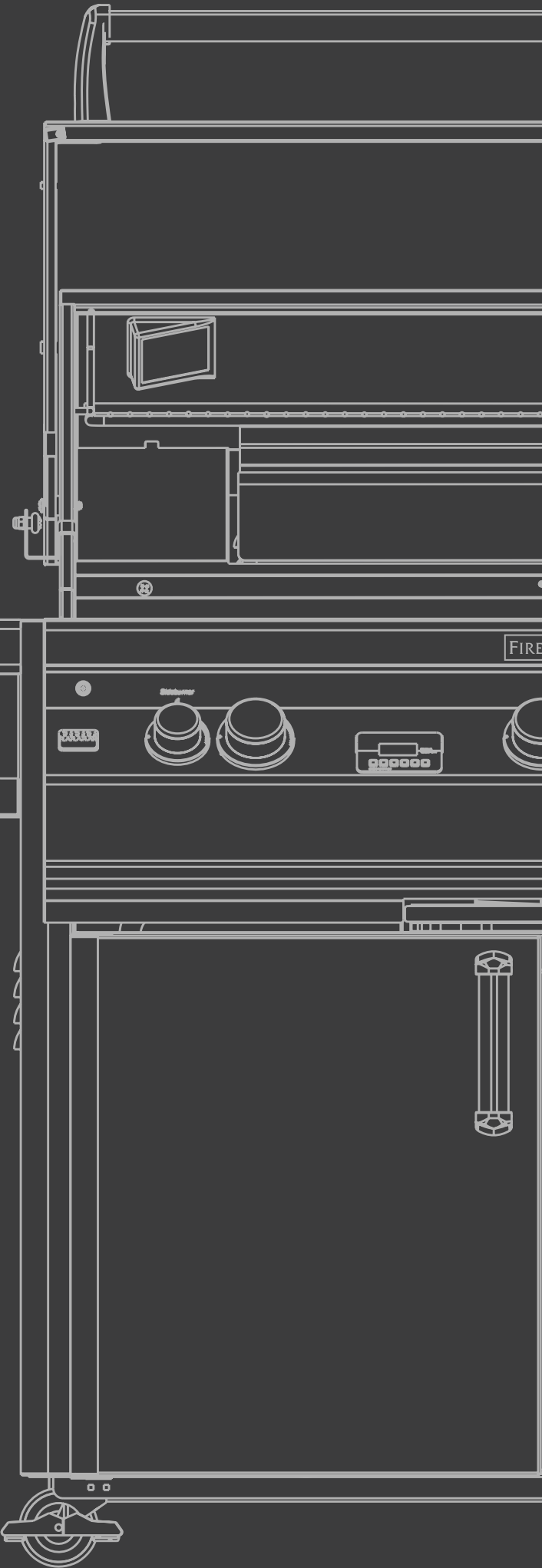
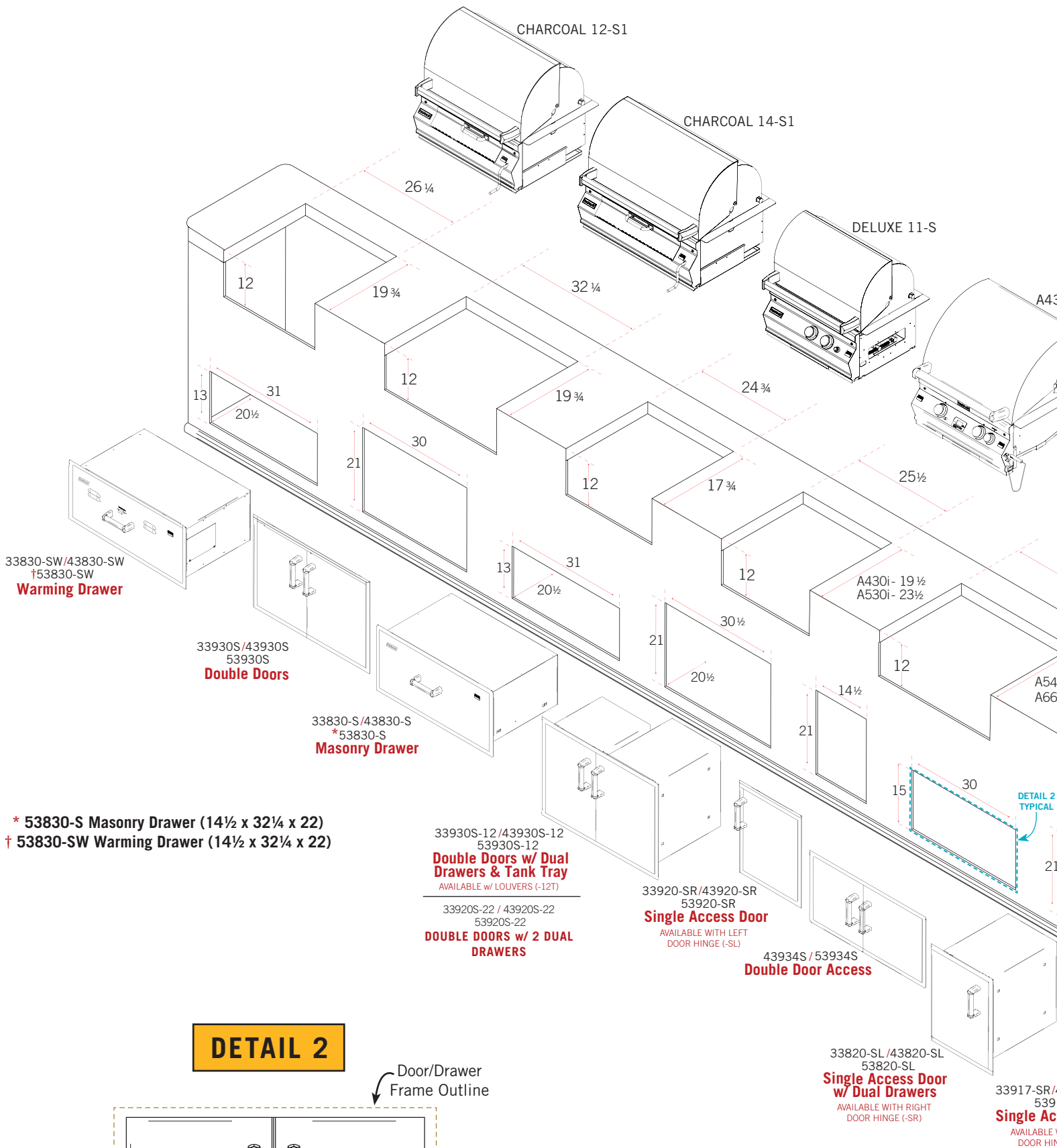




PRODUCT SPECIFICATIONS

INFORMATION FOR BUILT-IN & STAND ALONE GRILLS
DOORS AND DRAWERS





33830-SW/43830-SW
†53830-SW
Warming Drawer

33930S/43930S
53930S
Double Doors

33830-S/43830-S
*53830-S
Masonry Drawer

* 53830-S Masonry Drawer (14 1/2 x 32 1/4 x 22)
† 53830-SW Warming Drawer (14 1/2 x 32 1/4 x 22)

33930S-12/43930S-12
53930S-12
**Double Doors w/ Dual
Drawers & Tank Tray**
AVAILABLE w/ LOUVERS (-12T)

33920S-22 / 43920S-22
53920S-22
**DOUBLE DOORS w/ 2 DUAL
DRAWERS**

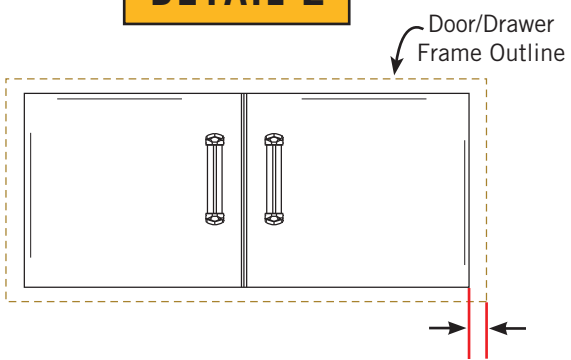
33920-SR/43920-SR
53920-SR
Single Access Door
AVAILABLE WITH LEFT
DOOR HINGE (-SL)

43934S / 53934S
Double Door Access

33820-SL/43820-SL
53820-SL
**Single Access Door
w/ Dual Drawers**
AVAILABLE WITH RIGHT
DOOR HINGE (-SR)

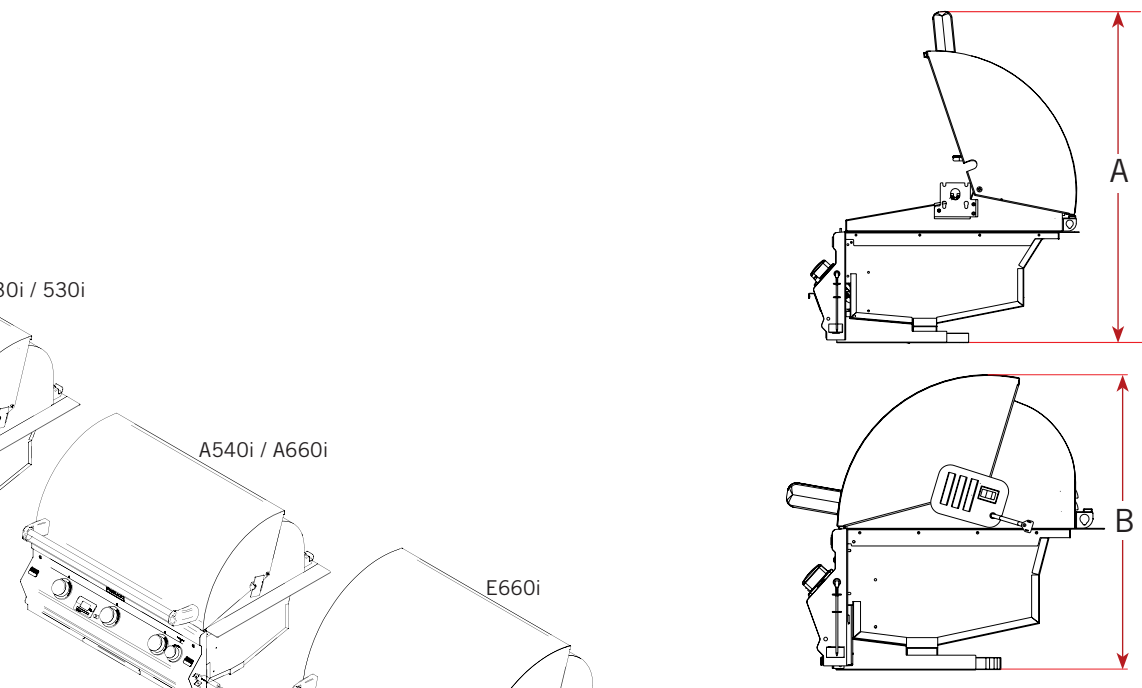
33917-SR/
53917-SR
Single Access Door
AVAILABLE WITH RIGHT
DOOR HINGE (-SR)

DETAIL 2

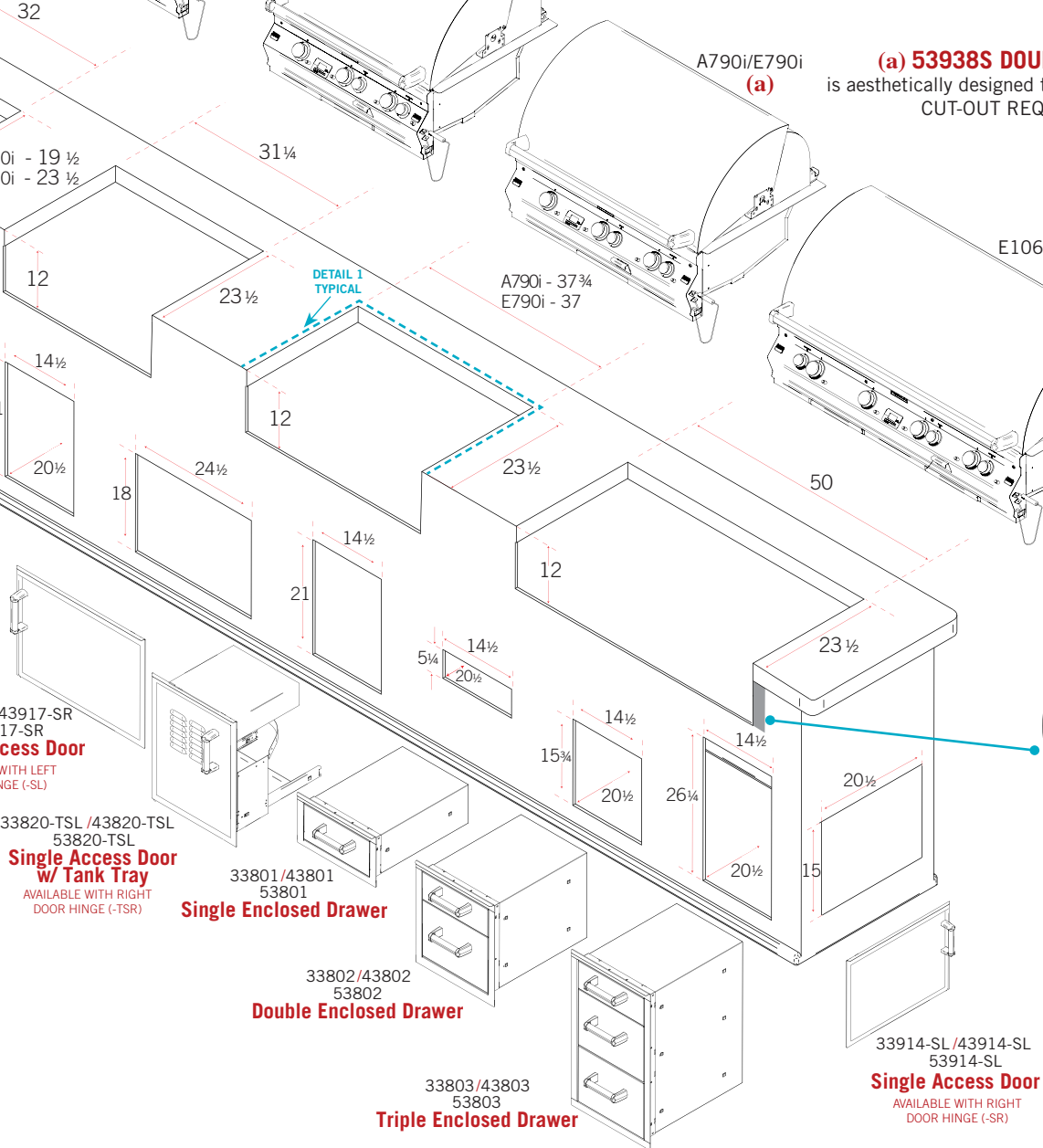


Door/Drawer
Frame Outline

Door frame varies in
width (1"-2" ALL AROUND)
depending on the size &
configuration of the door
& drawer.



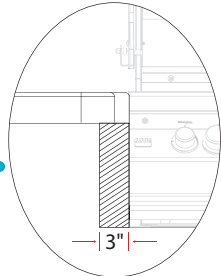
DESCRIPTION	HOOD OPEN	HOOD CLOSED
	A	B
Echelon E1060i	35 5/8"	26 3/4"
Echelon E790i	35 5/8"	26 3/4"
Echelon E660i	35 5/8"	26 3/4"
Aurora 790i	35 7/8"	26 3/8"
Aurora A660i	32 1/4"	25"
Aurora A540i	32 1/4"	25"
Aurora A530i	32 1/4"	25"
Aurora A430i	32 1/4"	25"
Deluxe 11-S	30"	25 1/8"
32" Gourmet Charcoal 14-S1	31 3/4"	32 1/2"
26" Gourmet Charcoal 12-S1	31 3/4"	32 1/2"



(a) 53938S DOUBLE ACCESS DOORS

is aesthetically designed to fit under the A790i/E790i.
CUT-OUT REQUIRED: 16" x 39"

SEE NOTE 6



3" clearance required (on both sides) for access to battery compartment when using material that extends out from island surface.

43917-SR
17-SR
Access Door
WITH LEFT
HINGE (-SL)

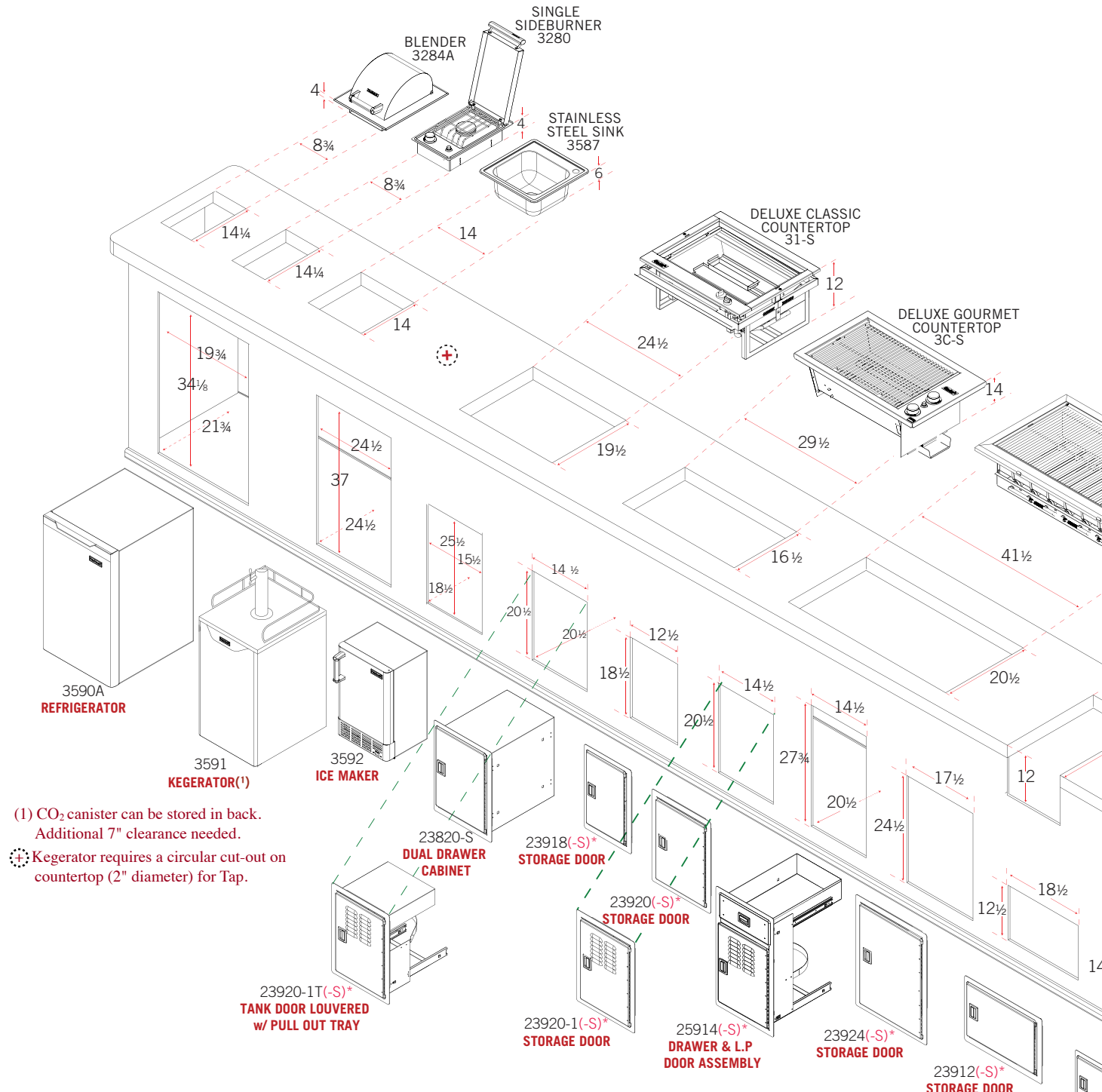
33820-TSL /43820-TSL
53820-TSL
Single Access Door w/ Tank Tray
AVAILABLE WITH RIGHT
DOOR HINGE (-TSR)

33801/43801
53801
Single Enclosed Drawer

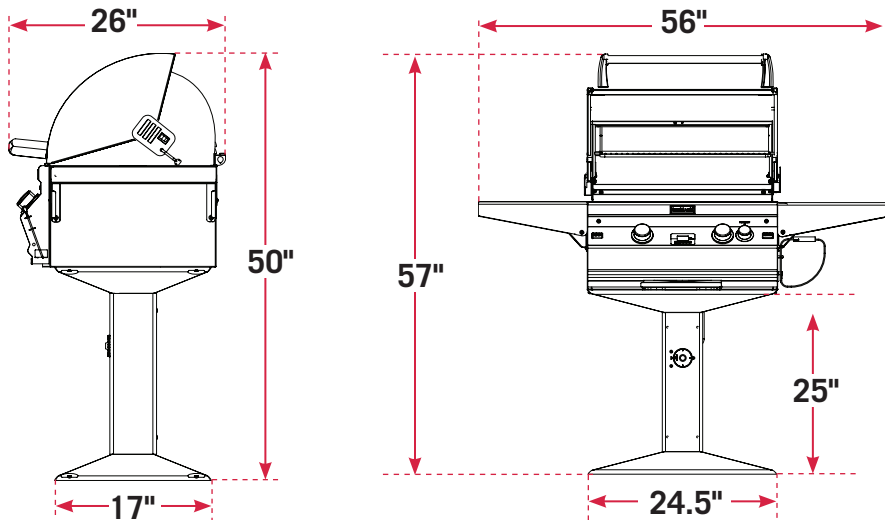
33802/43802
53802
Double Enclosed Drawer

33803/43803
53803
Triple Enclosed Drawer

33914-SL /43914-SL
53914-SL
Single Access Door
AVAILABLE WITH RIGHT
DOOR HINGE (-SR)



A430 Pedestal Dimensions A430s-2E1N-P6

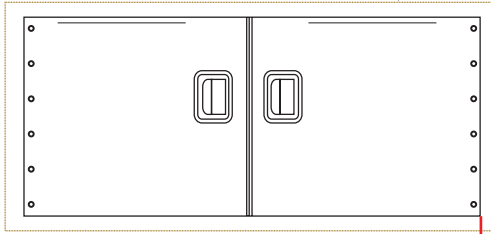


* (-S) signifies w/o (-S) signifies B

— ALL DIMENSIONS ARE IN INCHES —

DETAIL 4

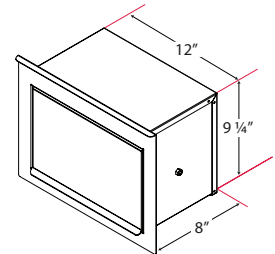
Door/Drawer Frame Outline



Door frame varies in width (1"-2" ALL AROUND) depending on the size & configuration of the door & drawer.

CLASSIC CHARCOAL GRILLS

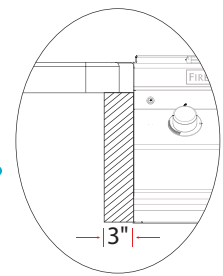
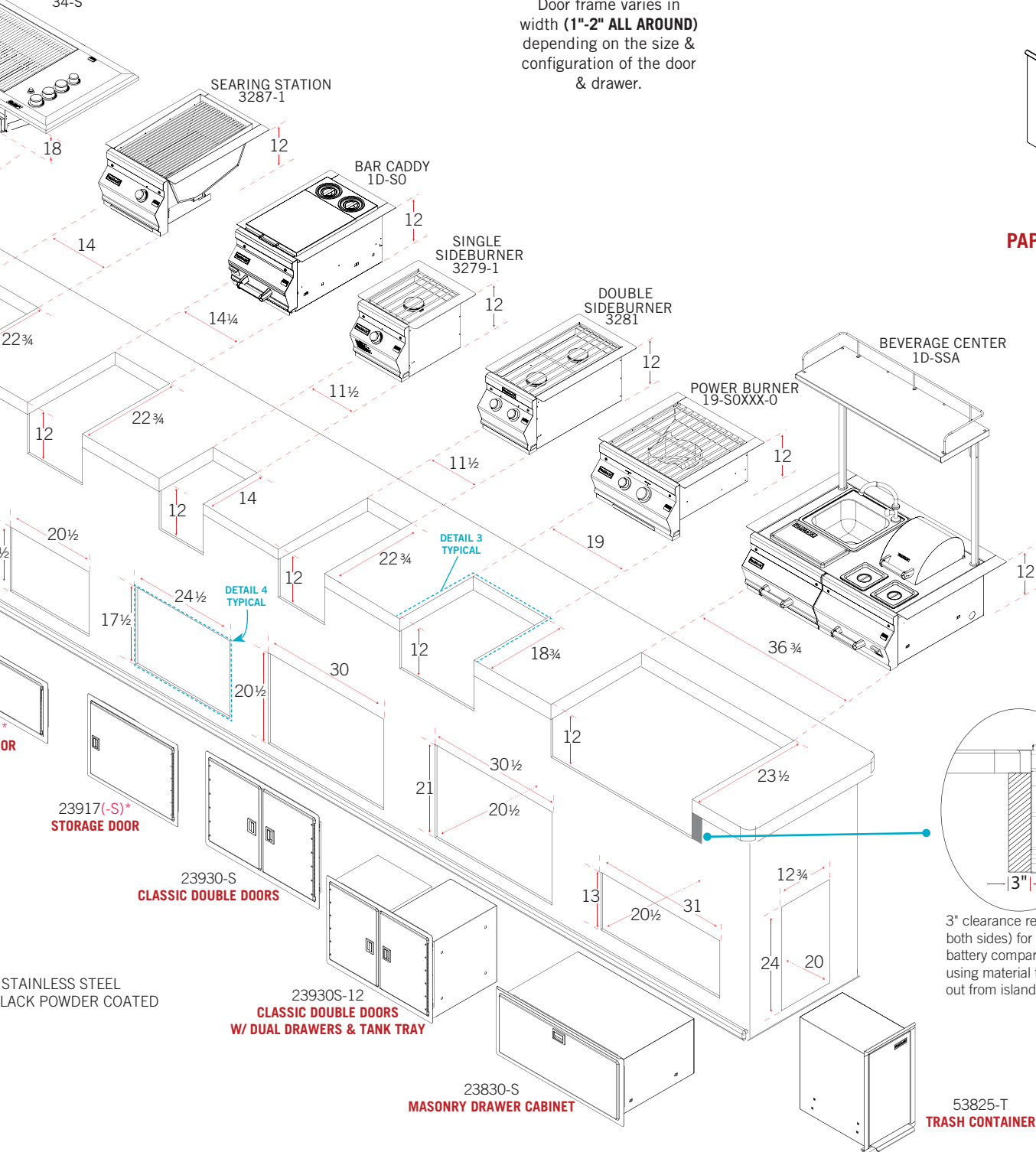
DESCRIPTION	OPENING REQUIRED		HEIGHT
	WIDTH	DEPTH	
32" Lift-A-Fire Charcoal 3334	32 1/4"	19 3/4"	12"
24" Lift-A-Fire Charcoal 3339	24 3/4"	17 3/4"	12"
31" Firemaster 3324	31 1/4"	21 1/4"	12"
24" Firemaster 3329	24 1/4"	19 1/4"	12"



53812

PAPER TOWEL HOLDER

REGAL | COUNTERTOP 34-S



3" clearance required (on both sides) for access to battery compartment when using material that extends out from island surface.

STAINLESS STEEL
BLACK POWDER COATED

23917(-S)*
STORAGE DOOR

23930-S
CLASSIC DOUBLE DOORS

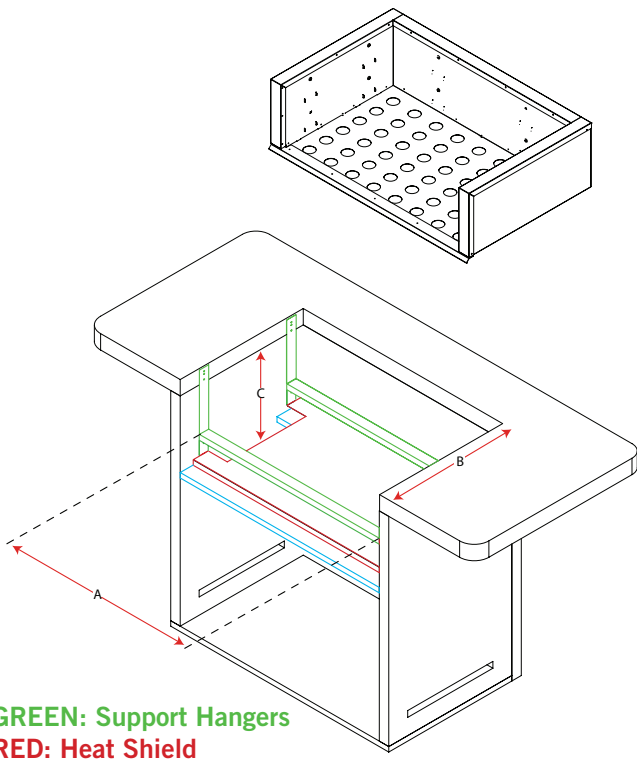
23930S-12
CLASSIC DOUBLE DOORS
W/ DUAL DRAWERS & TANK TRAY

23830-S
MASONRY DRAWER CABINET

53825-T
TRASH CONTAINER

INSULATING LINER MUST BE USED WHEN INSTALLING IN A COMBUSTIBLE ISLAND

Not used on Double Sideburner (3281), Single Sideburner (3279-1) or Drop-In Sideburner (3280)



GREEN: Support Hangers
RED: Heat Shield
BLUE: Combustibile Material

GRILL CUT-OUT DIMENSIONS w/ INSULATING LINER

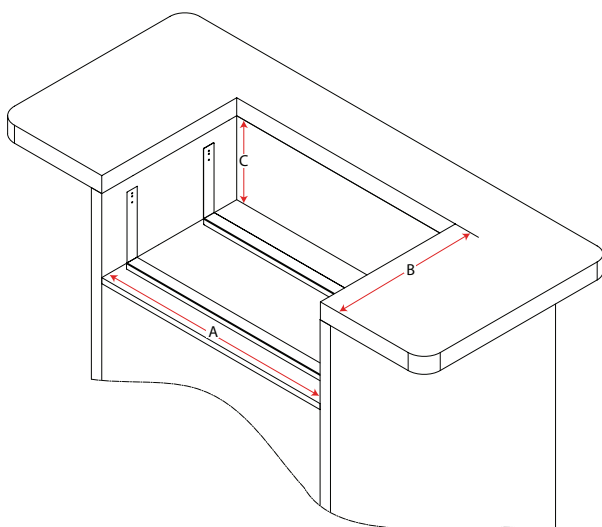
MODEL	OPENING REQUIRED		
	WIDTH	DEPTH	HEIGHT
	A	B	C
Echelon E1060i	55"	26"	12"
Echelon E790i	42 1/8"	26"	12"
Echelon E660i	36 3/8"	26"	12"
Aurora A790i	42 1/8"	26"	12"
Aurora A660i	36 3/8"	26"	12"
Aurora A540i	36 5/8"	22 1/8"	12"
Aurora A530i	30 1/8"	26"	12"
Aurora A430i	30 1/8"	22 1/8"	12"

Maintain proper clearance to combustibile materials.

Notes:

1. A nominal 1/16" gap around the back and sides of the liner is recommended for ease of installation.
2. The countertop material may be placed up to the insulating liner on the back and sides.
3. A minimum of 100 sq. in. in air ventilation is required at cabinet face.
4. Cabinet face may be made of combustibile material up to the front flange of the insulating liner.

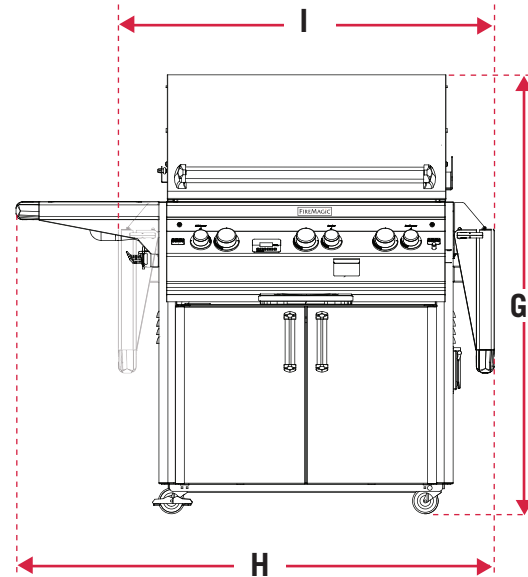
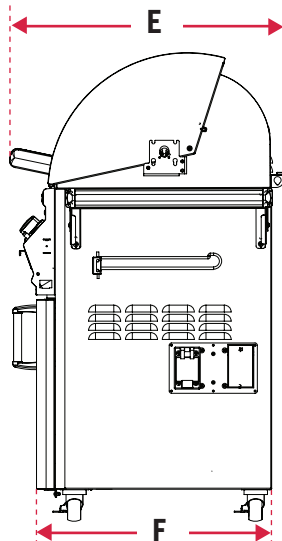
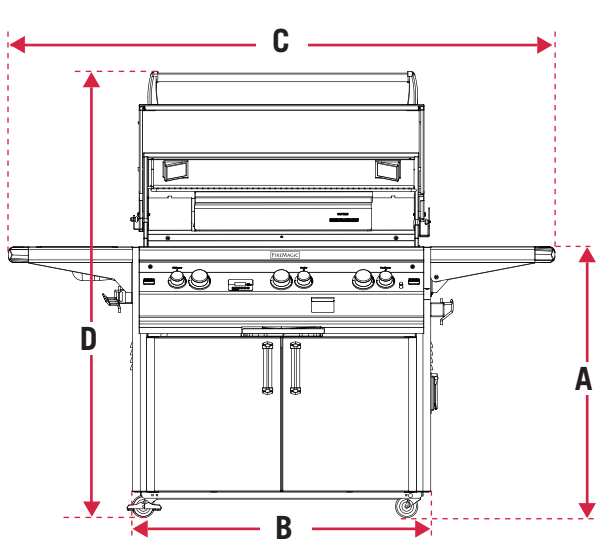
To install and operate the Fire Magic outdoor gas appliance, please refer to the Installation and Operating instructions and safety precautions shipped with the appliance.



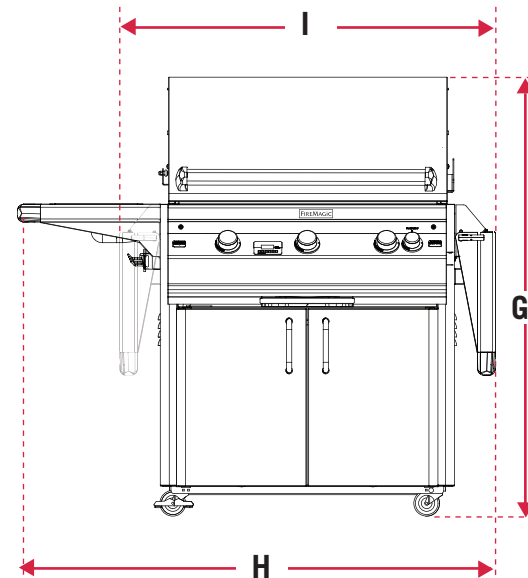
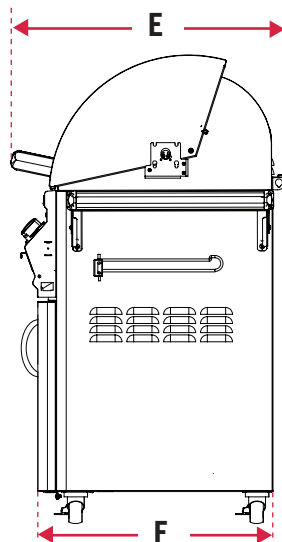
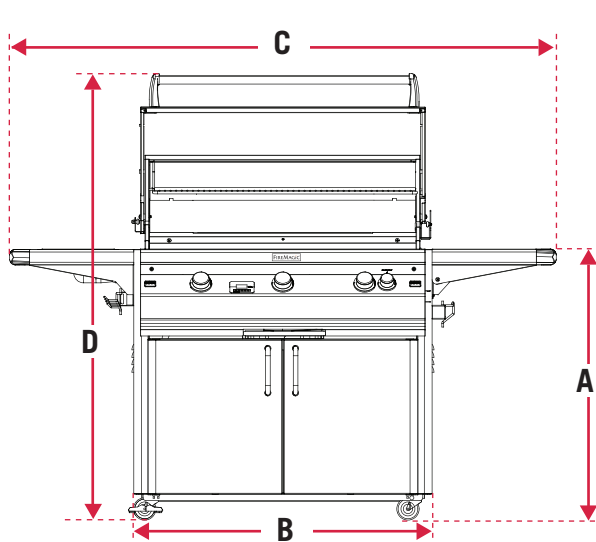
ACCESSORY & LEGACY CUT-OUT DIMENSIONS w/ INSULATING LINER

MODEL	OPENING REQUIRED		
	WIDTH	DEPTH	HEIGHT
	A	B	C
Deluxe	28	19 3/8"	12 1/4"
Power Burner	22 5/8"	20 3/4"	12"
Searing Station	18 3/8"	24 3/4"	11 5/8"

The information provided is for reference only. Detailed instructions are supplied with the insulation liner, unique to the model selected. Read those instructions carefully and completely before starting installation of the liner.



Model #	Series	Top of Face (A)	Cart Base (B)	Shelves Up (C)	Oven Open (D)	Max Outer (E)	Cart Base (F)	Oven Closed (G)	1-Up/1-Down (H)	Shelves Down (I)
E1060	62/63	37"	53"	86 1/4"	60 1/2"	29 3/4"	26"	52"	74 3/4"	n/a
E1060	51/71	37"	77 3/4"	111"	60 1/2"	29 3/4"	26"	52"	99 1/2"	88"
E790	62/63	37"	40"	73 1/4"	60 1/2"	29 3/4"	26"	52"	61 3/4"	n/a
E790	71	37"	58 3/4"	92"	60 1/2"	29 3/4"	26"	52"	80 1/2"	69"
E660	62/63	37"	34 1/4"	67 1/2"	60 1/2"	29 3/4"	26"	52"	56"	n/a
E660	71	37"	53"	86 1/4"	60 1/2"	29 3/4"	26"	52"	74 3/4"	63 1/4"



Model #	Series	Top of Face (A)	Cart Base (B)	Shelves Up (C)	Oven Open (D)	Max Outer (E)	Cart Base (F)	Oven Closed (G)	1-Up/1-Down (H)	Shelves Down (I)
A660s	61/62	37"	32 1/2"	62 1/4"	60 1/2"	29 3/4"	26"	52"	52 1/2"	41 1/2"
A540s	61/62	37"	32 1/2"	62 1/4"	57"	25 3/4"	21 3/4"	50"	52 1/2"	41 1/2"
A530s	61/62	37"	26"	55 3/4"	60 1/2"	29 3/4"	26"	52"	46"	35 1/4"
A430s	61/62	37"	26"	55 3/4"	57"	25 3/4"	21 3/4"	50"	46"	35 1/4"



Welcome to the Fire Magic experience and welcome into your home the world's finest outdoor grill. American designed and manufactured, Fire Magic Premium Grills have combined sublime craftsmanship and superior technology to set the industry standard for more than 70 years.

It's a peerless experience that begins with a superior design and solid stainless steel construction. Truly, there is not a more inspired, better-made grill on the market today—from our exclusive flavor grids to our lifetime guaranteed cast stainless steel burners.

Fire Magic offers a choice of over a dozen different grills. With countless storage access door and drawer selections, and accessories such as side cookers, blenders, refrigerators and ice makers, your grill island can be outfitted for your specific needs. Made in the USA, every Fire Magic Premium Grill is designed and built to be the centerpiece of your outdoor lifestyle.

SAVOR THE MOMENT™

MODEL	GRILL OPENING SIZE (W x D x H)	BTU	ADDITIONAL BTU w/ BACKBURNER	TOTAL BTU	COOKING AREA (SQ. IN.)
Echelon E1060i	50" x 23½" x 12"	115,000*	30,000	145,000	48" x 22" (1,056)
Echelon E790i	37" x 23½" x 12"	99,000*	23,000	122,000	36" x 22" (792)
Echelon E660i	31¼" x 23½" x 12"	78,000*	19,000	97,000	30" x 22" (660)
Aurora A790i	37 ¾" x 23½" x 12"	90,000	23,000	113,000	36" x 22" (792)
Aurora A660i	32" x 23½" x 12"	75,000	19,000	94,000	30" x 22" (660)
Aurora A540i	32" x 19½" x 12"	60,000	19,000	79,000	30" x 18" (540)
Aurora A530i	25½" x 23½" x 12"	60,000	16,000	76,000	24" x 22" (528)
Aurora A430i	25½" x 19½" x 12"	50,000	16,000	66,000	24" x 18" (432)
Deluxe	24¾" x 17¾" x 12"	42,000	n/a	42,000	23" x 16" (368)
Regal I Countertop	41½" x 20½" x 18"	64,000	22,000	86,000	30" x 18" (540)
Deluxe Gourmet Countertop	29½" x 16½" x 14"	42,000	n/a	42,000	23" x 16" (368)
Deluxe Classic Countertop	24½" x 19½" x 12"	42,000	n/a	42,000	23" x 16" (368)
Regal I Charcoal	32¼" x 19¾" x 12"	n/a	n/a	n/a	30" x 18" (540)
Custom I Charcoal	26¼" x 19¾" x 12"	n/a	n/a	n/a	24" x 18" (432)
Power Burner	19" x 18¾" x 12"	60,000	n/a	60,000	18" x 18¼" (329)
Sideburner, Single Built-In	11½" x 14" x 12"	15,000	n/a	15,000	n/a
Sideburner, Single Countertop	8¾" x 14¼" x 4"	15,000	n/a	15,000	n/a
Sideburner, Double Island	11½" x 22¾" x 12"	30,000	n/a	30,000	n/a
Searing Station/ Grill	14" x 22¾" x 12"	24,400	n/a	24,400	13" x 22" (286)

Note: The face width dimension is not included in Echelon or Aurora or sideburners. Every built-in grill also includes a hanger that extends beyond these dimensions.

* Includes woodchip burner

THE ROBERT H. PETERSON CO. RESERVES THE RIGHT TO AMEND PRODUCT SPECIFICATIONS WITHOUT PRIOR NOTICE.